



US00D363383S

# United States Patent [19] Cronk

[11] Patent Number: Des. 363,383  
[45] Date of Patent: \*\*Oct. 24, 1995

[54] CHAIR  
[75] Inventor: Jeffrey P. Cronk, Dalls, Tex.  
[73] Assignee: Steelcase, Inc., Grand Rapids, Mich.  
[\*\*] Term: 14 Years  
[21] Appl. No.: 30,911  
[22] Filed: Nov. 10, 1994

D. 293,517 1/1988 Bellini .  
D. 296,394 6/1988 Chadwick et al. .  
D. 296,623 7/1988 Chadwick et al. .  
D. 297,600 9/1988 Wilson .  
D. 298,390 11/1988 Bellini .  
D. 298,593 11/1988 Vogtherr .  
D. 304,886 12/1989 Murry .  
D. 306,531 3/1990 Snodgrass ..... D6/366  
D. 308,310 6/1990 Wilson .  
D. 309,383 7/1990 Muller-Deisig et al. .

(List continued on next page.)

### Related U.S. Application Data

[63] Continuation of Ser. No. 844,404, Mar. 2, 1992.  
[52] U.S. Cl. .... D6/366  
[58] Field of Search ..... D6/334, 365, 366,  
D6/367, 374, 375, 379, 498, 500, 501,  
502; 297/411.2

### OTHER PUBLICATIONS

Interiors, Aug. 1976, p. 22, Ergon Chair by Herman Miller, at mid page left.  
Domus, Dec. 1979 Supplement, p. 27, Chair at bottom left.  
Design Catalog, Jan. 1982, p. 39, All-Steel Chair Shown.  
Jacobs Gardner, 1988, HON Chair at top left.  
Fixtures Furniture, "Discovery Collection", Apr. 1991, pp. 1-8.  
Steelcase, "Gentry", 1991., pp. 1-10.  
Interiors, "Metro", Feb. 1991., p. 75.  
Krueger International, "The Piretti Collection", pp. 1-8.  
Designer Specifier "NEOCON Preview", May 1991., p. 51.  
The HON Company, "Sensible Seating, The Sensible Response", 1991. pp. 1-8.

### [56] References Cited

#### U.S. PATENT DOCUMENTS

D. 90,495 8/1933 McChesney et al. .  
D. 99,556 5/1936 Smith .  
D. 119,048 2/1940 Page .  
D. 120,215 4/1940 Cramer et al. .  
D. 180,137 4/1957 Del Gludice .  
D. 184,187 12/1958 McCarthy et al. .... D6/366  
D. 184,189 12/1958 McCarthy et al. .... D6/366  
D. 211,461 6/1968 Walkinshaw ..... D6/366  
D. 228,536 10/1973 Sottsass, Jr. .... D6/366  
D. 234,179 1/1975 Deschamps et al. .  
D. 237,433 11/1975 Offredi .  
D. 243,487 3/1977 Buhk .  
D. 249,205 9/1978 Spencer .  
D. 249,303 9/1978 Ruf .  
D. 252,781 9/1979 Ball .  
D. 254,278 2/1980 Wilson .  
D. 264,643 6/1982 Pelly .  
D. 270,497 9/1983 Ochsner ..... D6/366  
D. 273,350 4/1984 Cafiero .  
D. 273,639 5/1984 Cafiero .  
D. 273,728 5/1984 Cafiero .  
D. 273,925 5/1984 Caruso .  
D. 279,839 7/1985 Mulhauser .  
D. 285,629 9/1986 Franck et al. .  
D. 286,106 10/1986 Franck et al. .  
D. 291,160 8/1987 Biscoe .

*Primary Examiner*—Alan P. Douglas  
*Assistant Examiner*—Gary D. Watson  
*Attorney, Agent, or Firm*—Price, Heneveld, Cooper, DeWitt & Litton

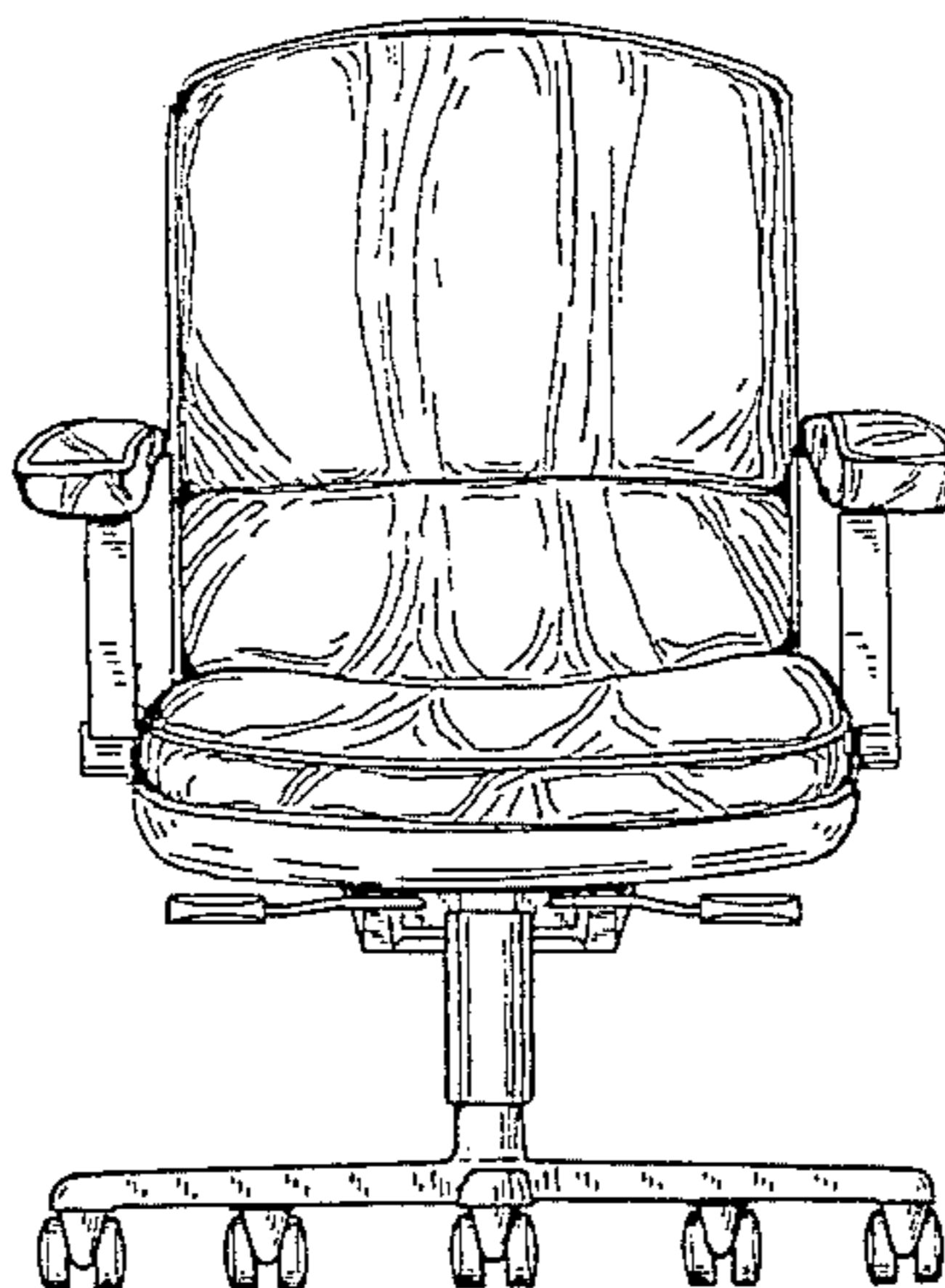
### [57] CLAIM

The ornamental design for a chair, as shown and described.

### DESCRIPTION

FIG. 1 is a front elevational view of a chair showing my new design;  
FIG. 2 is a rear elevational view thereof;  
FIG. 3 is a right side elevational view thereof, the left side elevational view being a mirror image thereof;  
FIG. 4 is a top plan view thereof;  
FIG. 5 is a bottom plan view thereof; and,  
FIG. 6 is a rear perspective view thereof.

1 Claim, 3 Drawing Sheets



# Des. 363,383

Page 2

---

## U.S. PATENT DOCUMENTS

D. 312,011	11/1990	Caruso et al. .	D. 321,299	11/1991	Caruso et al. .
D. 317,097	5/1991	Vogtherr et al. .	D. 321,600	11/1991	Brennan .
D. 320,704	10/1991	Monesi .	D. 330,808	11/1992	Citterio ..... D6/366
			D. 340,589	10/1993	Chu ..... D6/366

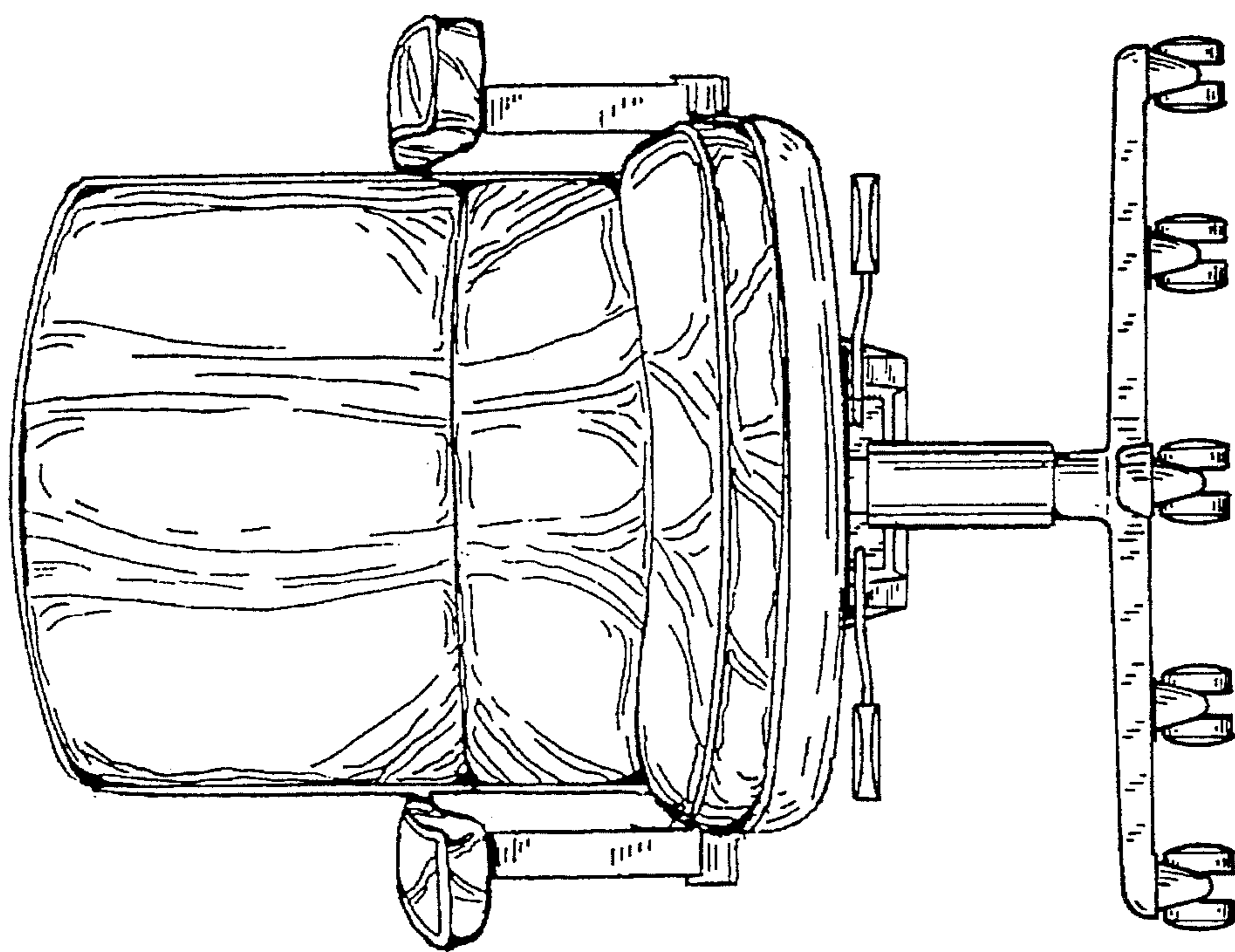


FIG. 1

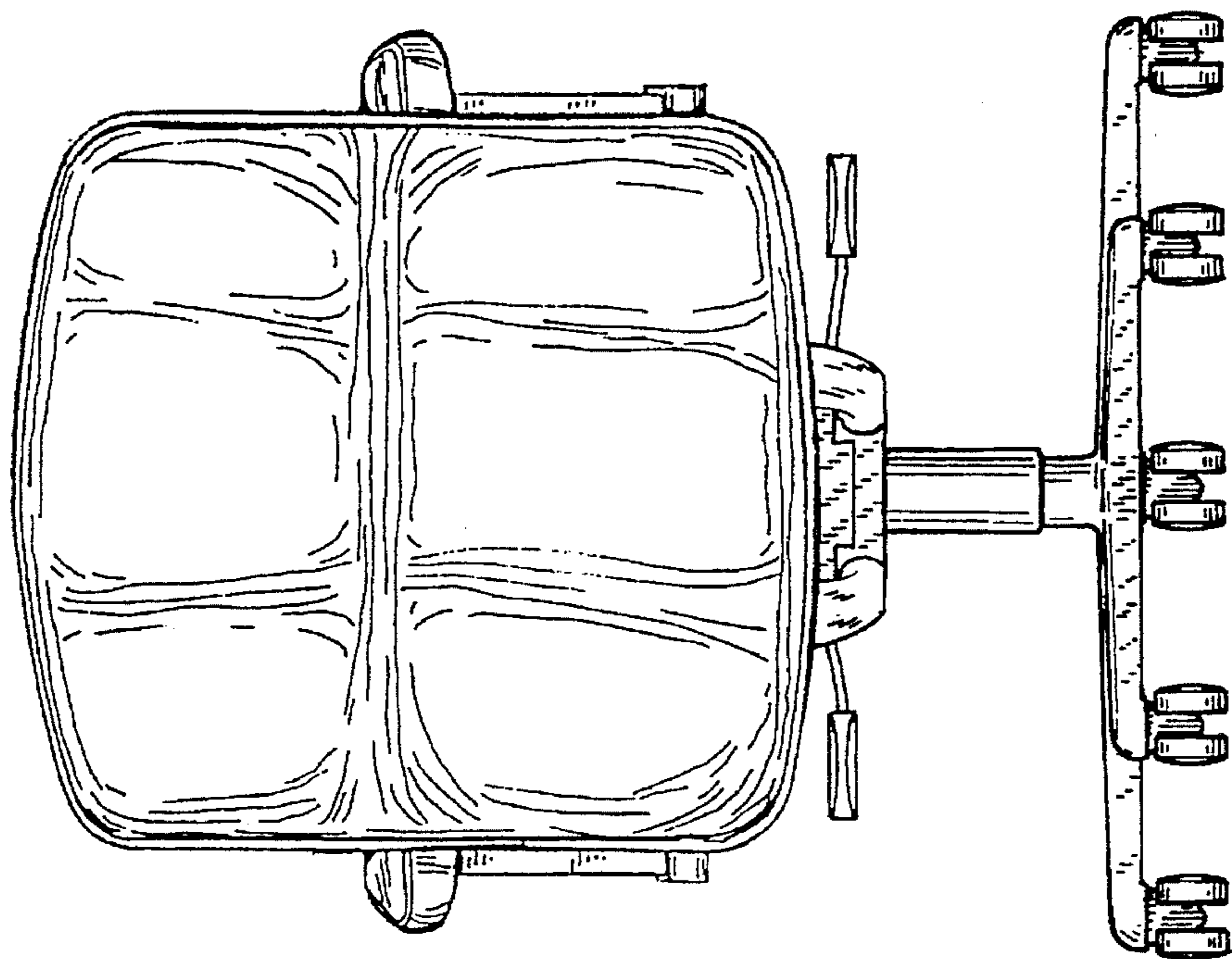


FIG. 2



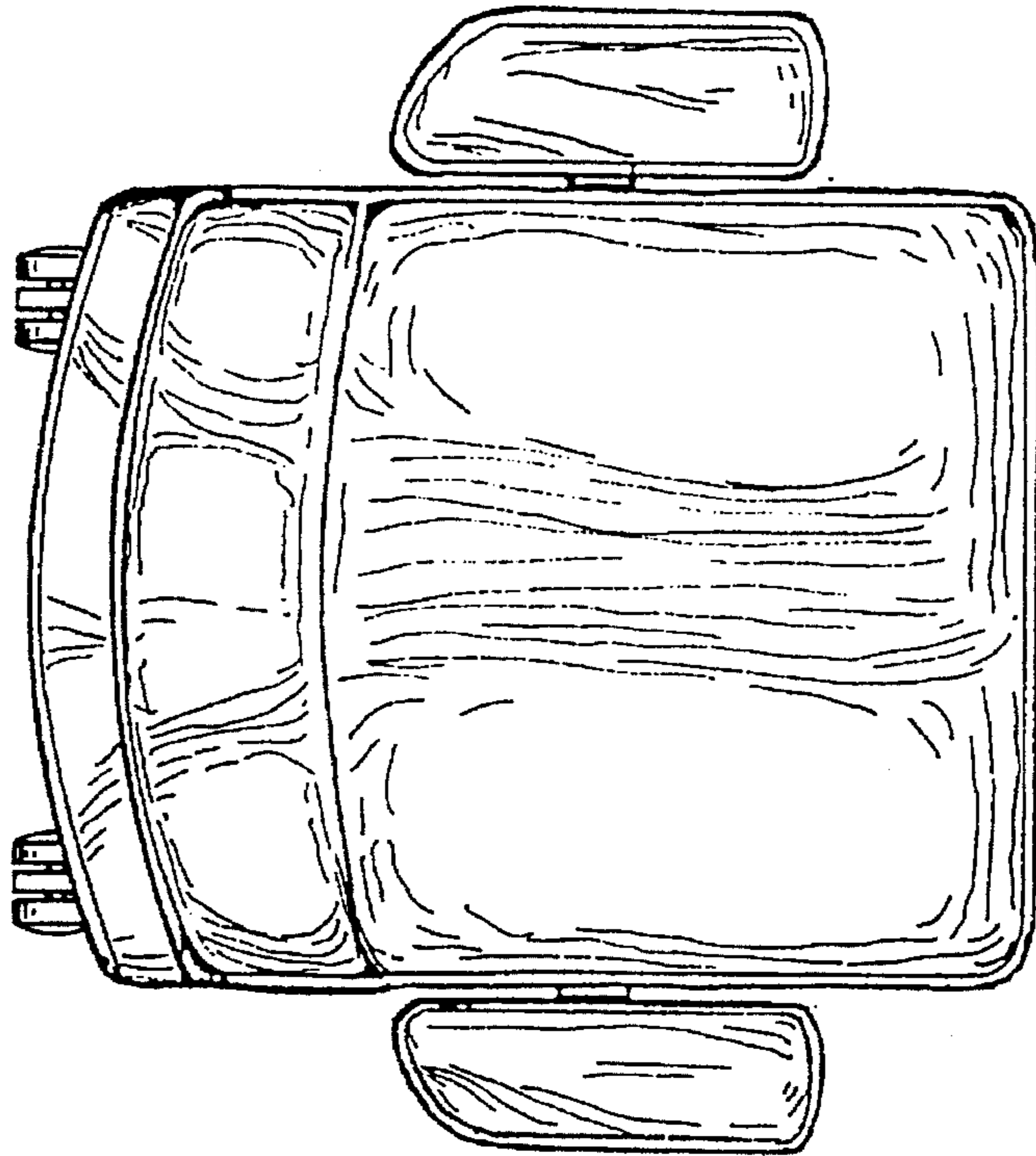


FIG. 4

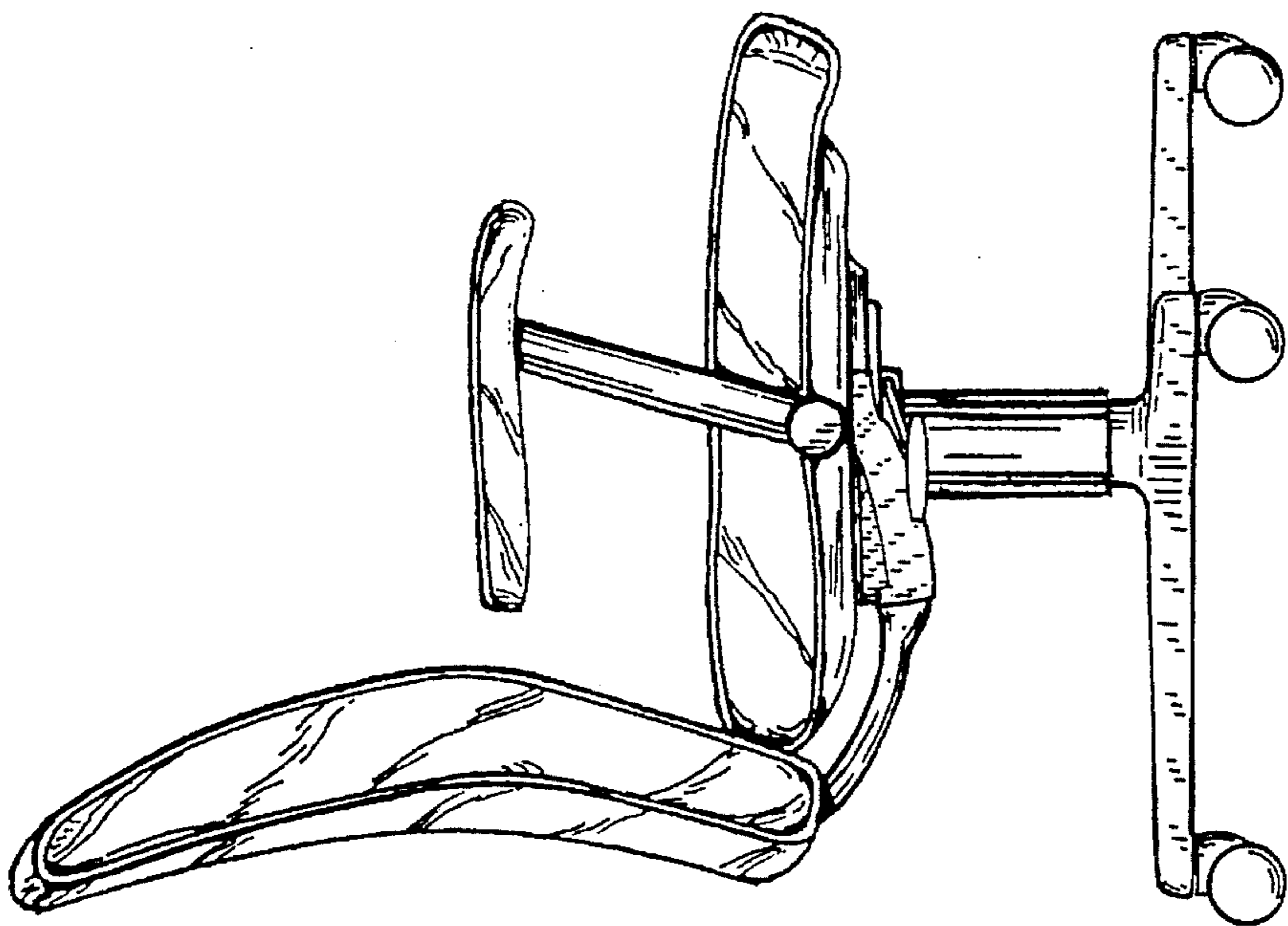


FIG. 3

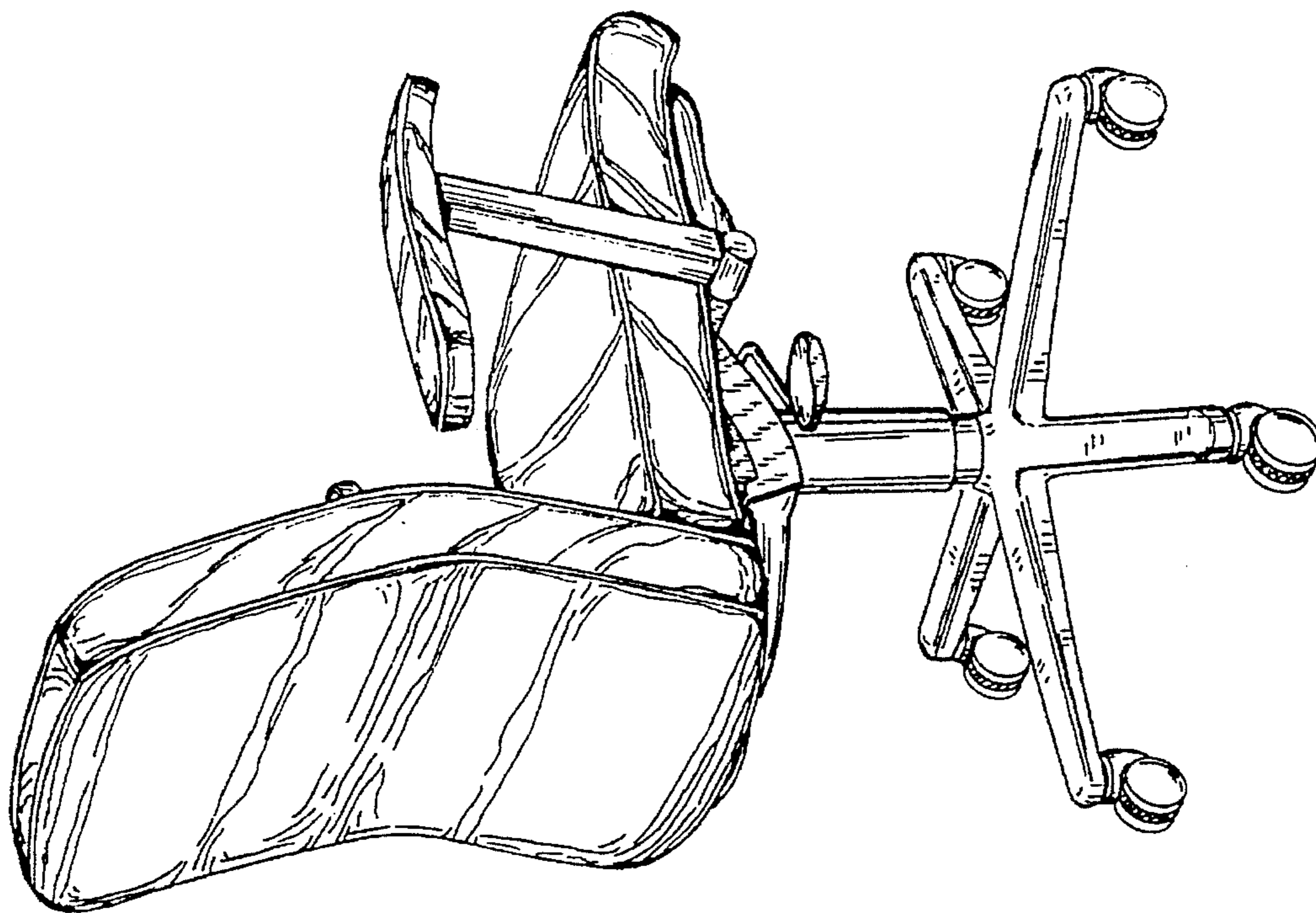


FIG. 6

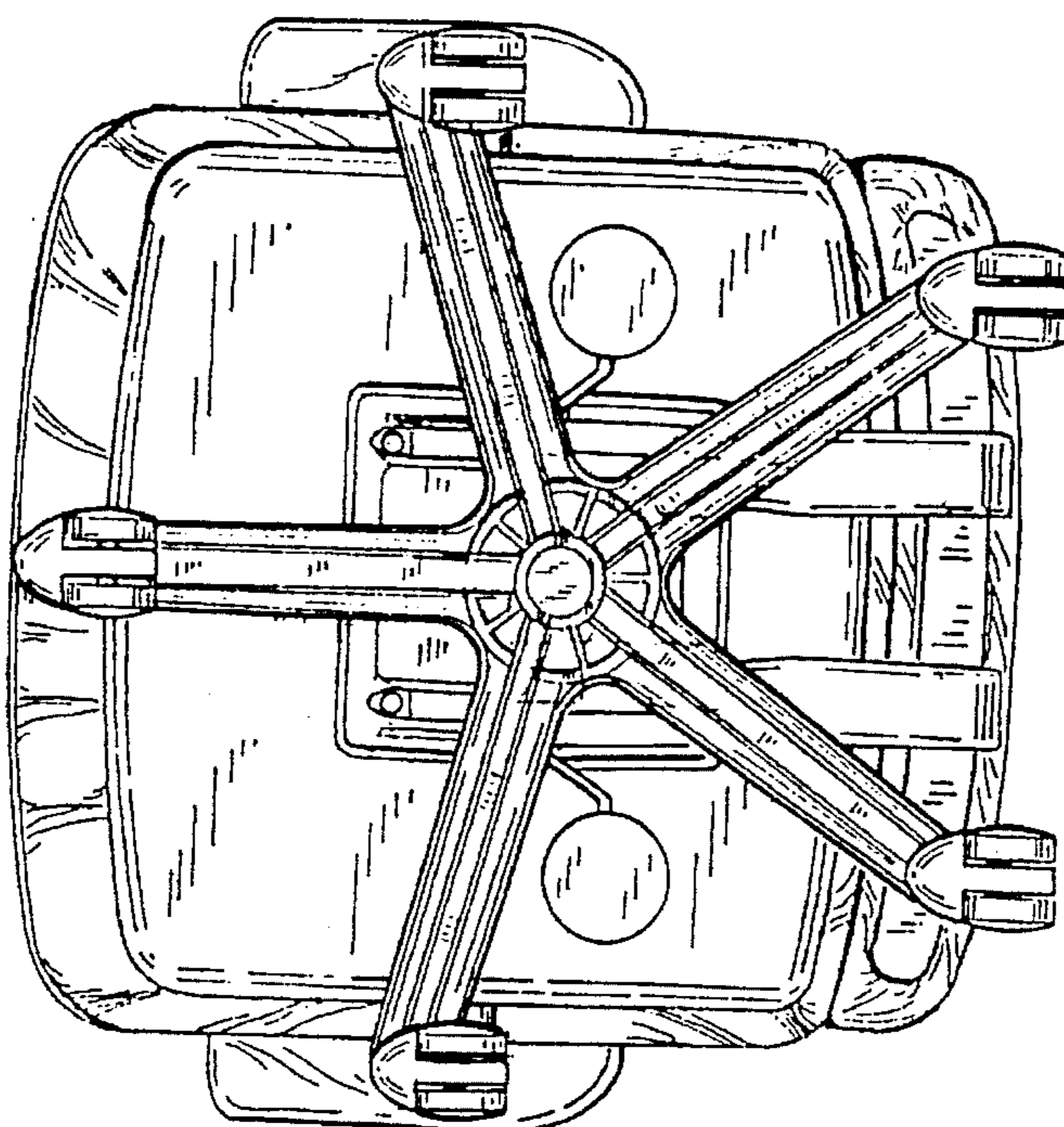


FIG. 5