



US00D363376S

United States Patent [19]

Nieman

[11] Patent Number: **Des. 363,376**

[45] Date of Patent: ****Oct. 24, 1995**

[54] **BRUSH FOR CLEANING ELECTRICAL CONNECTORS**

4,195,381 4/1980 Jurich, III 15/104.2
4,575,892 3/1986 Ross 15/106

[76] Inventor: **David B. Nieman**, 2 Hillcrest Dr.,
Ventura, Iowa 50482

Primary Examiner—A. Hugo Word
Assistant Examiner—Lavone D. Tabor
Attorney, Agent, or Firm—Hugh D. Jaeger

[**] Term: **14 Years**

[57] **CLAIM**

[21] Appl. No.: **20,668**

The ornamental design for a brush for cleaning electrical connectors, as shown.

[22] Filed: **Mar. 30, 1994**

[52] U.S. Cl. **D4/119; D4/131**

DESCRIPTION

[58] **Field of Search** D4/119, 128-131,
D4/133; 15/104.05, 104.16, 104.011, 104.2,
159.1, 160, 164, 206, 106

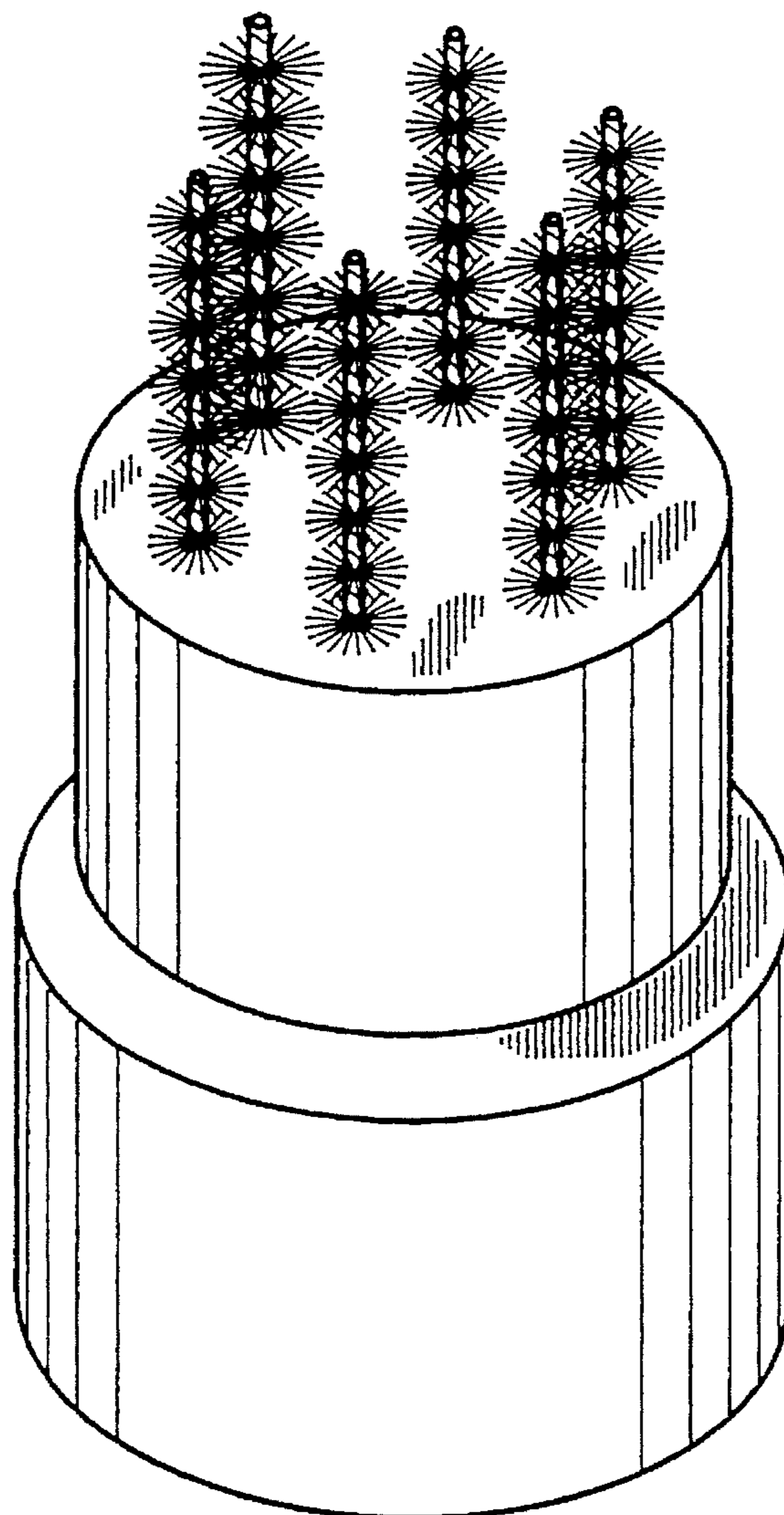
FIG. 1 illustrates a perspective view thereof;
FIG. 2 illustrates a reduced front view thereof;
FIG. 3 illustrates a reduced left side view thereof;
FIG. 4 illustrates a reduced right side view thereof;
FIG. 5 illustrates a reduced back view thereof;
FIG. 6 illustrates a reduced top view thereof; and,
FIG. 7 illustrates a reduced bottom view thereof.

[56] **References Cited**

U.S. PATENT DOCUMENTS

3,088,150 5/1963 Sweeney 15/160 X
3,629,895 12/1971 Colgan 15/160
3,942,208 3/1976 Southard, Jr. 15/104.011

1 Claim, 7 Drawing Sheets



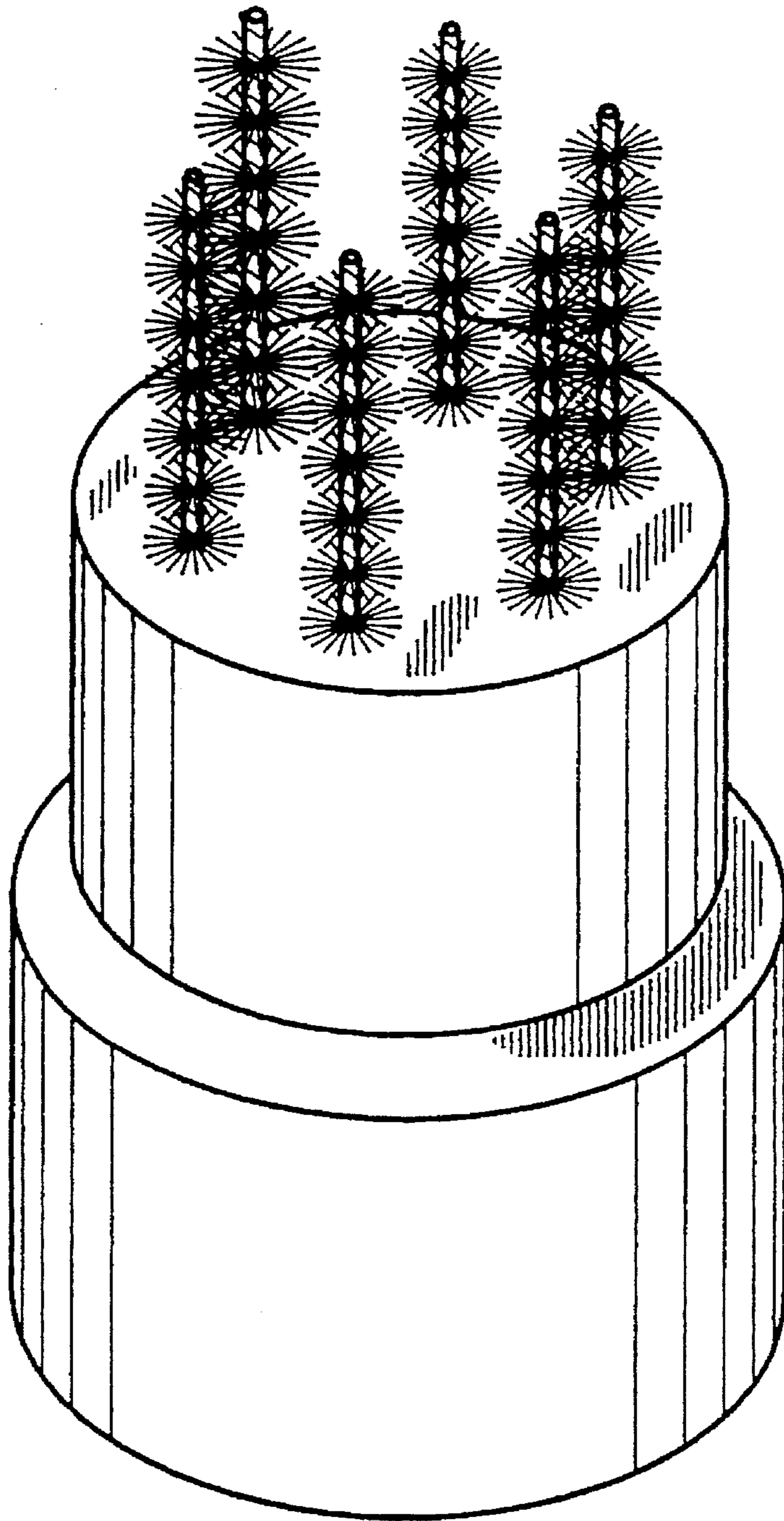


FIG. 1

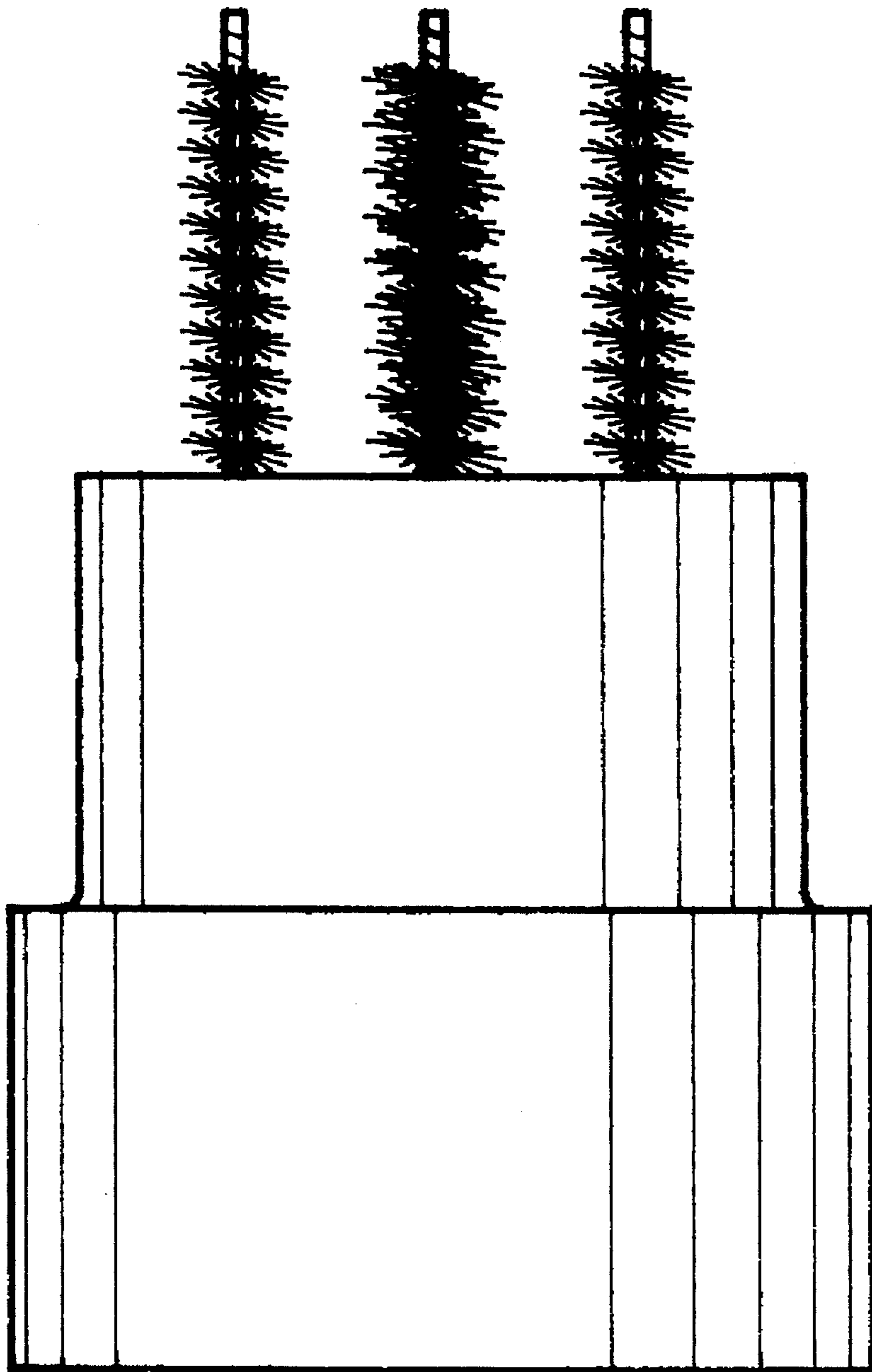


FIG. 2

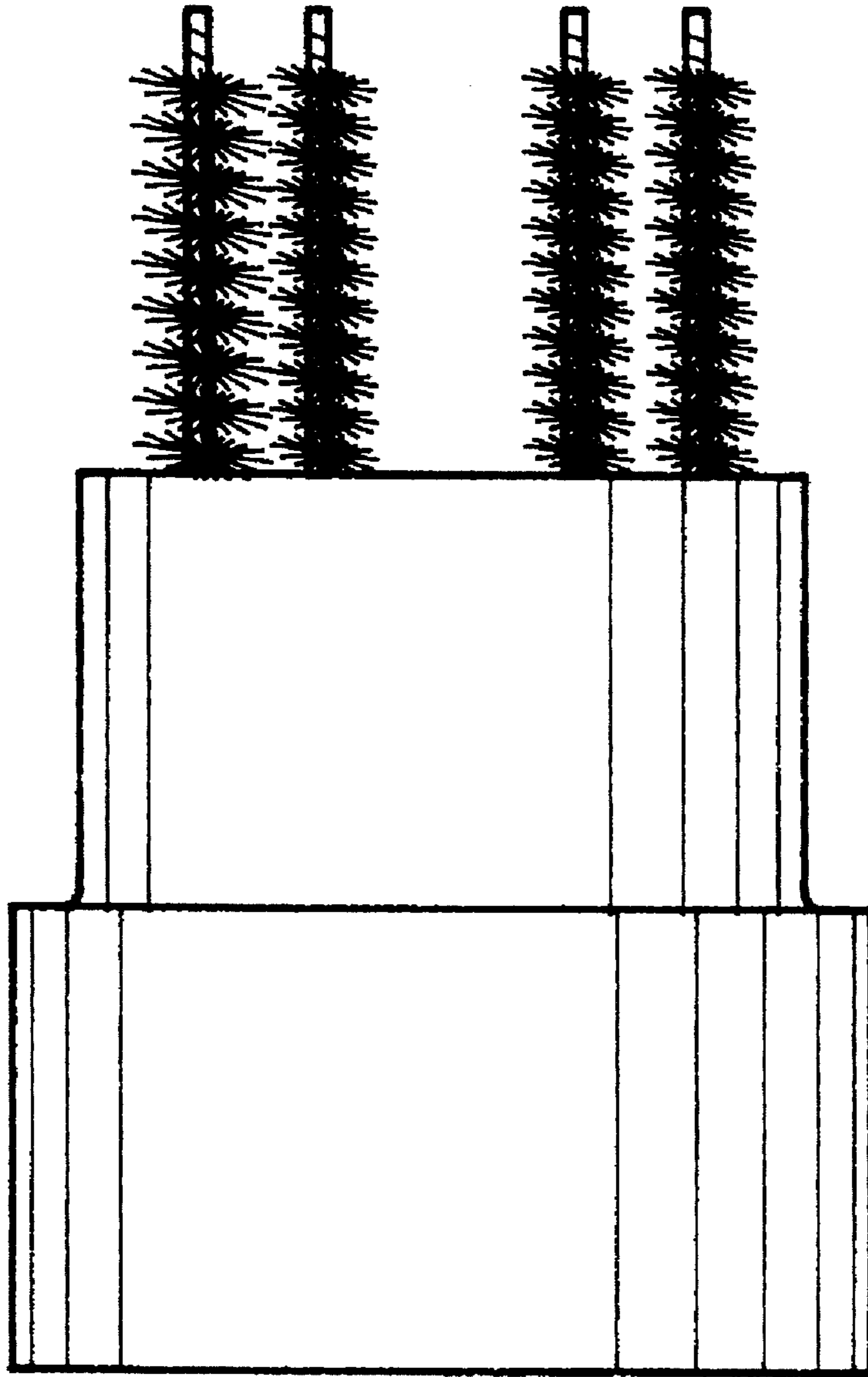


FIG. 3

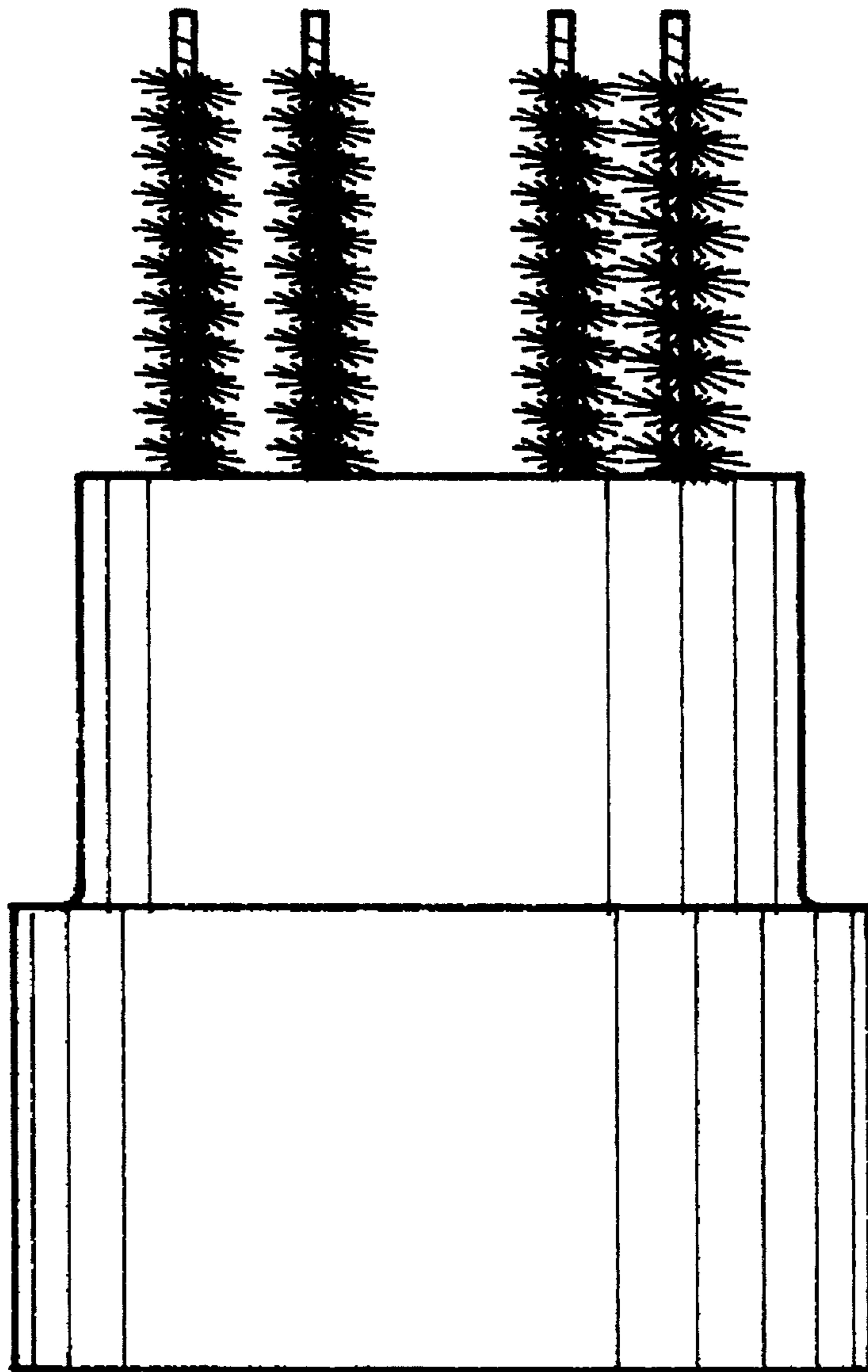


FIG. 4

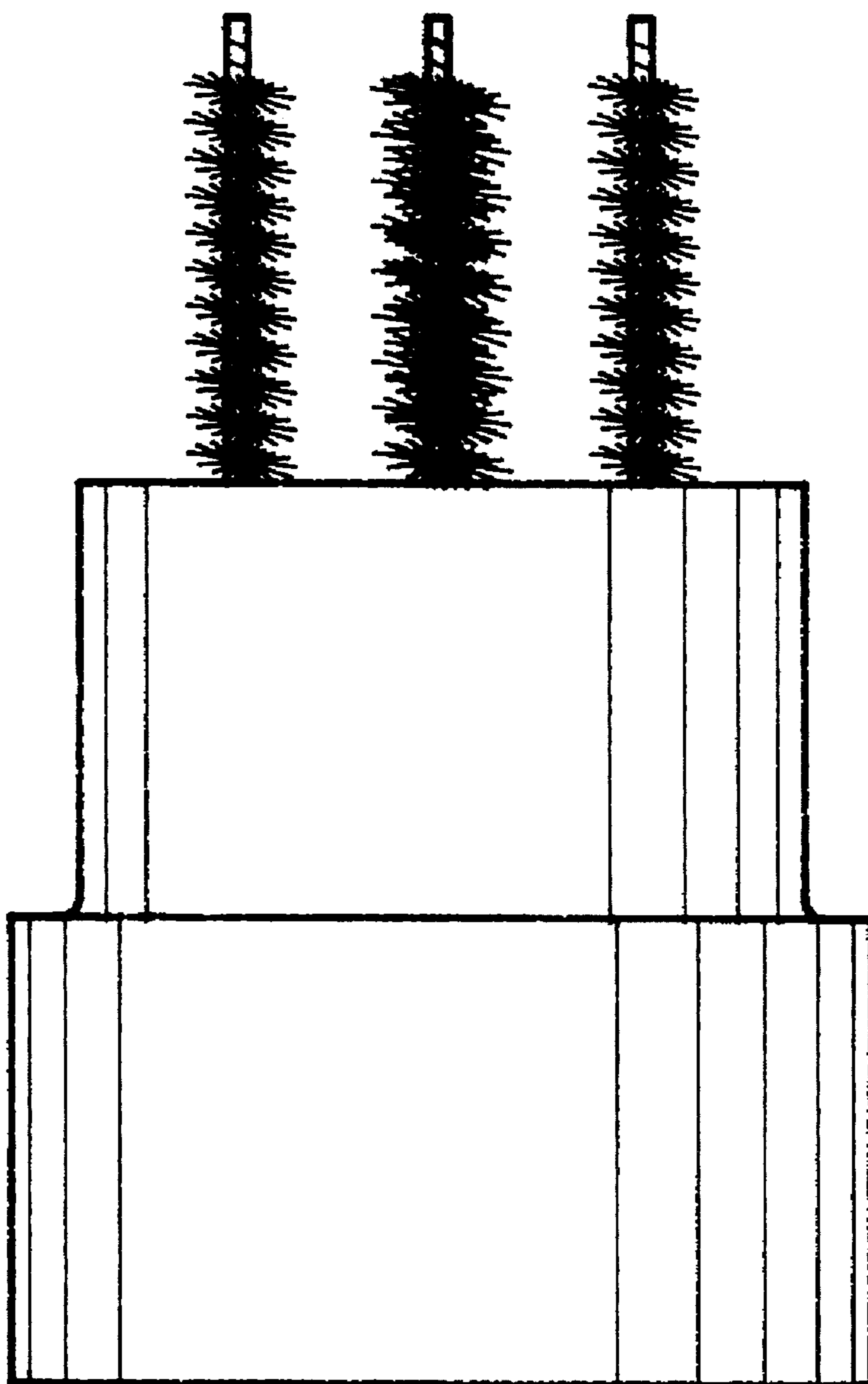


FIG. 5

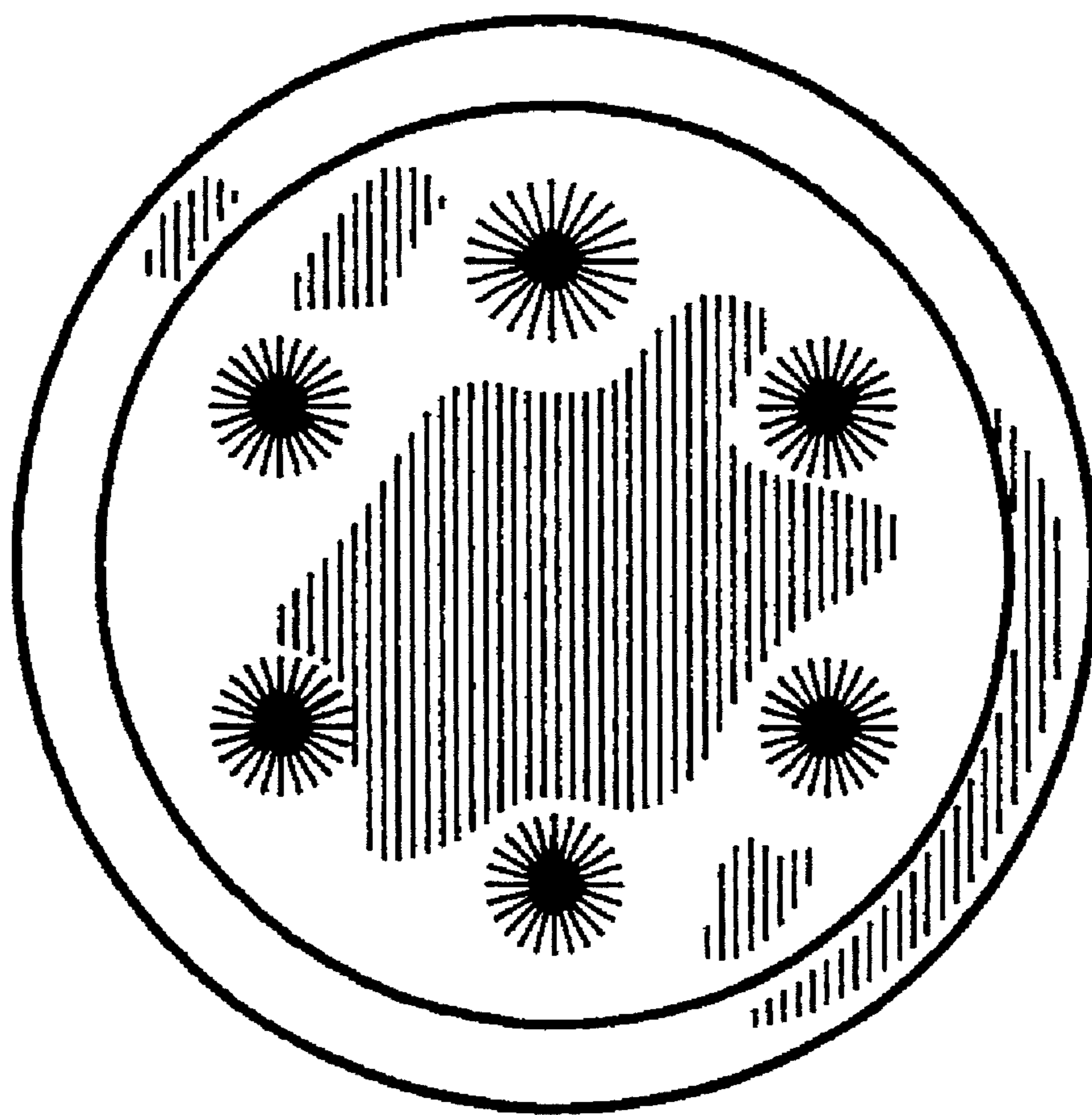


FIG. 6

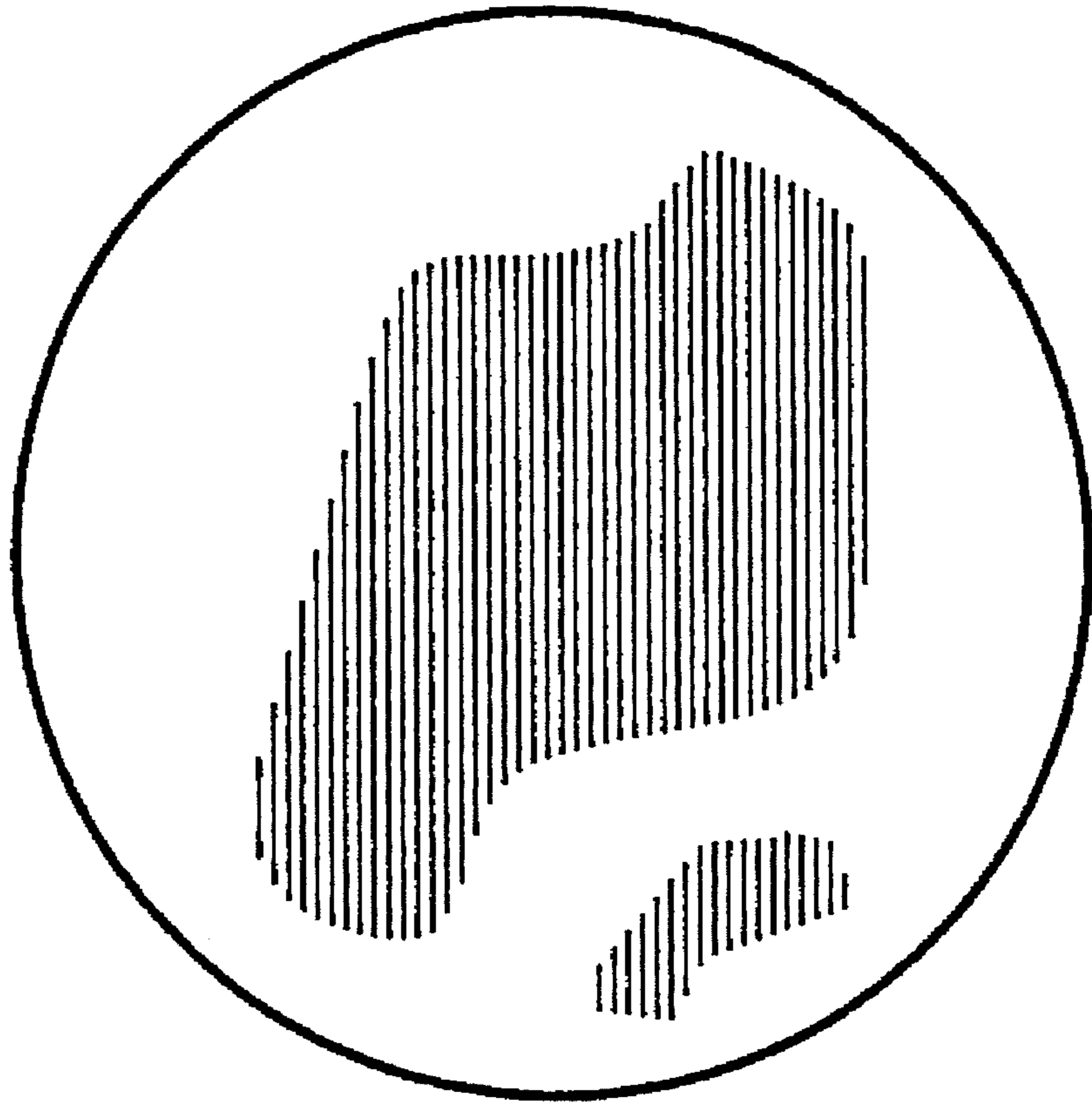


FIG. 7