



US00D363373S

United States Patent [19]

Heinzelman et al.

[11] Patent Number: **Des. 363,373**

[45] Date of Patent: ****Oct. 24, 1995**

[54] **TOOTHBRUSH HANDLE**

5,054,154 10/1991 Schiffer et al. 15/167.1

[75] Inventors: **Bert D. Heinzelman**, Tenafly, N.J.;
Donald R. Lamond, Long Beach;
Robert Pandorf, New York, both of
N.Y.

FOREIGN PATENT DOCUMENTS

4229152 3/1994 Germany .

[73] Assignee: **Chesebrough-Pond's USA Co.**,
Division of Conopco, Inc., Greenwich,
Conn.

Primary Examiner—A. Hugo Word
Assistant Examiner—Lavone D. Tabor
Attorney, Agent, or Firm—Milton L. Honig

[**] Term: **14 Years**

[57] CLAIM

The ornamental design for a toothbrush handle, as shown and described.

[21] Appl. No.: **25,664**

DESCRIPTION

[22] Filed: **Jul. 7, 1994**

[52] U.S. Cl. **D4/104; D4/138**

[58] Field of Search D4/104-112, 133-134,
D4/136, 138; 15/143.1, 159.1, 160, 167.1,
167.2

FIG. 1 is a perspective view of a toothbrush handle showing our new design;

FIG. 2 is a right side elevational view thereof;

FIG. 3 is a top plan view thereof;

FIG. 4 is a bottom plan view thereof;

FIG. 5 is an end elevational view as seen from the left of FIG. 3; and,

FIG. 6 is an end elevational view as seen from the right side of FIG. 3.

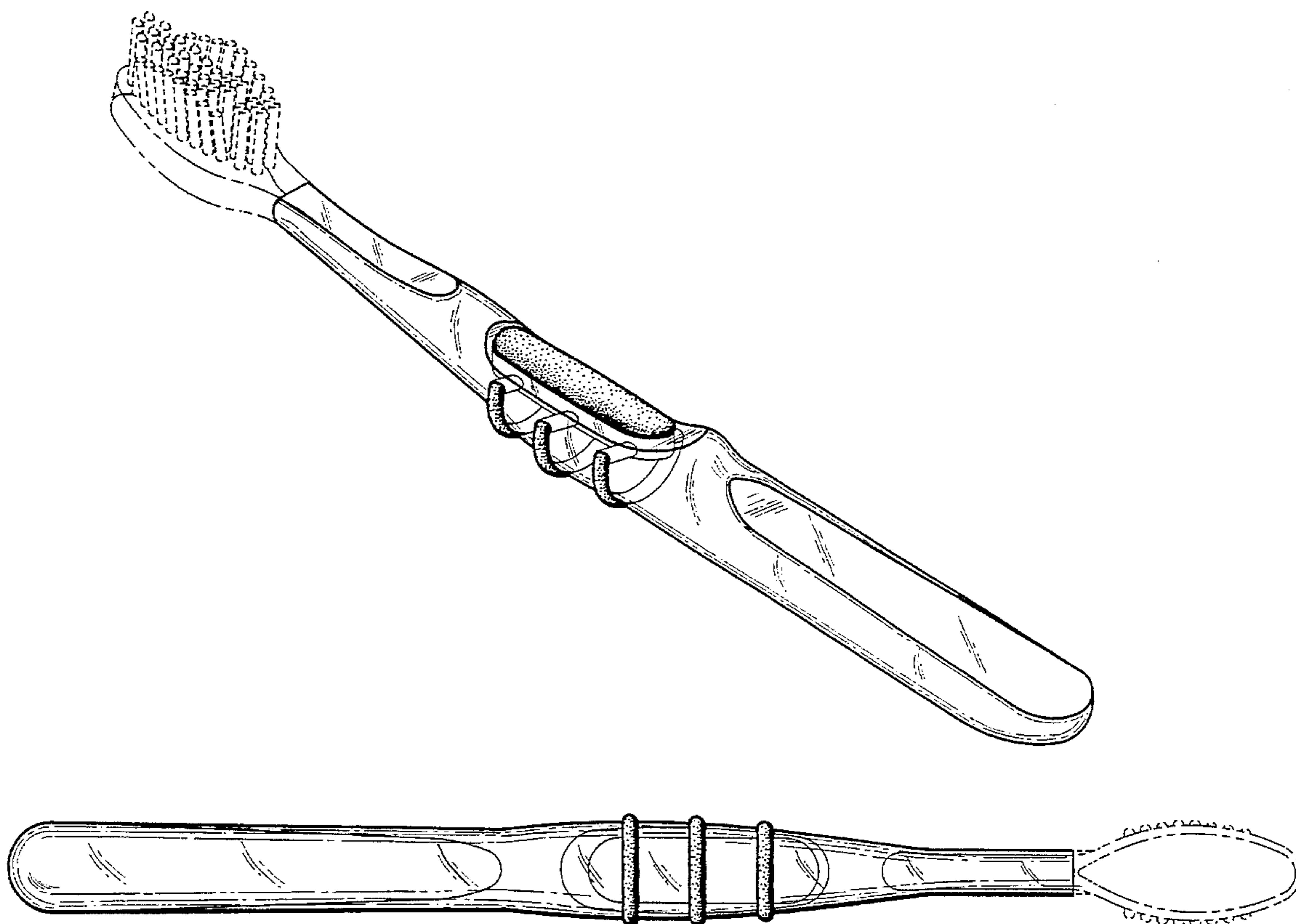
The structure shown in phantom or broken lines in Figures forms no part of the claimed design and is present only to illustrate the environment.

[56] References Cited

U.S. PATENT DOCUMENTS

D. 333,918	3/1993	Curtis et al.	D4/104
D. 334,288	3/1993	Witzig-Jaggi	D4/104
D. 335,578	5/1993	Fuchs et al.	D4/104
D. 347,736	6/1994	Schneider et al.	D4/104
D. 349,605	8/1994	Schneider et al.	D4/104
4,488,328	12/1984	Hyman	15/167.1

1 Claim, 3 Drawing Sheets



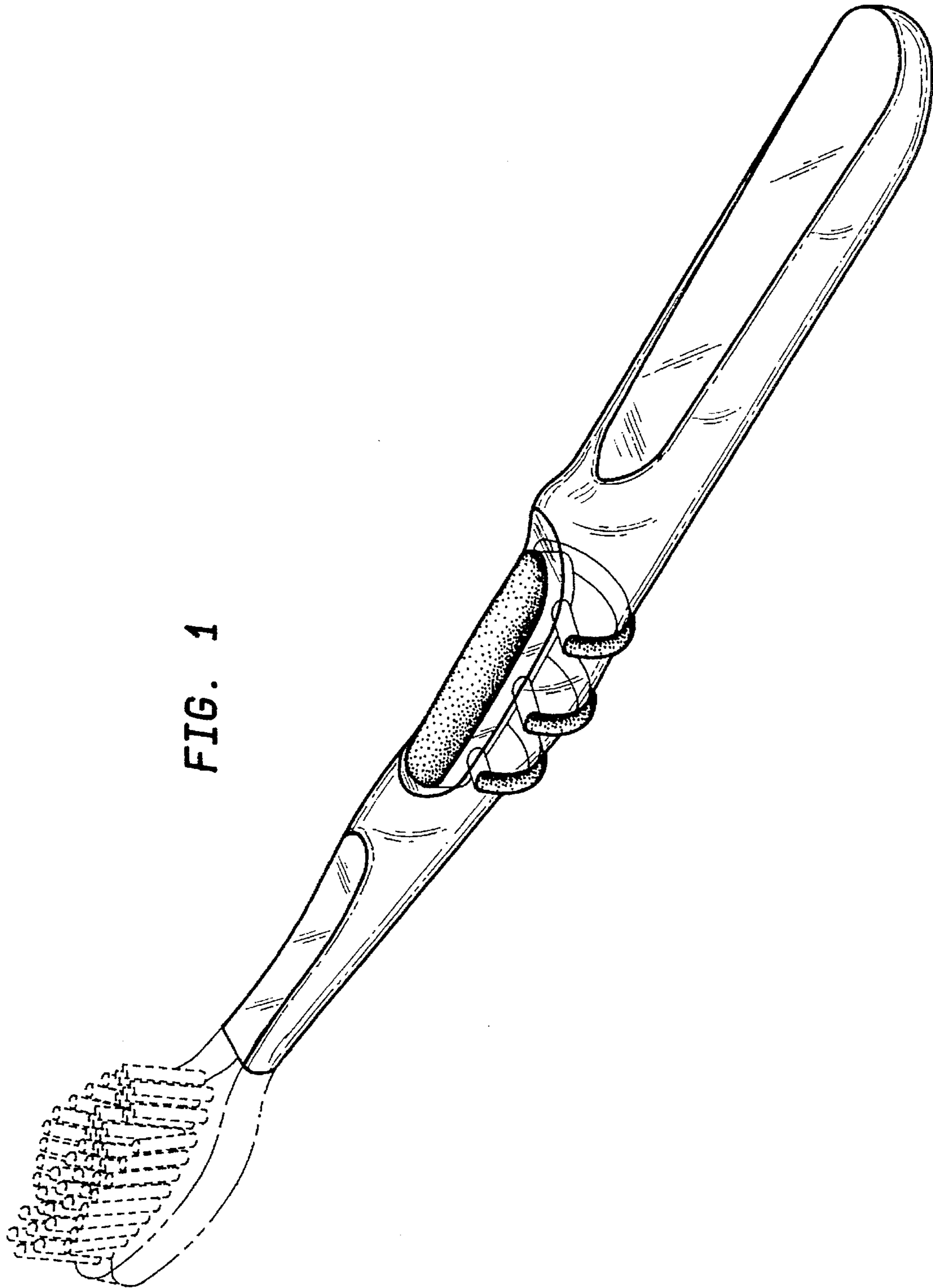


FIG. 1

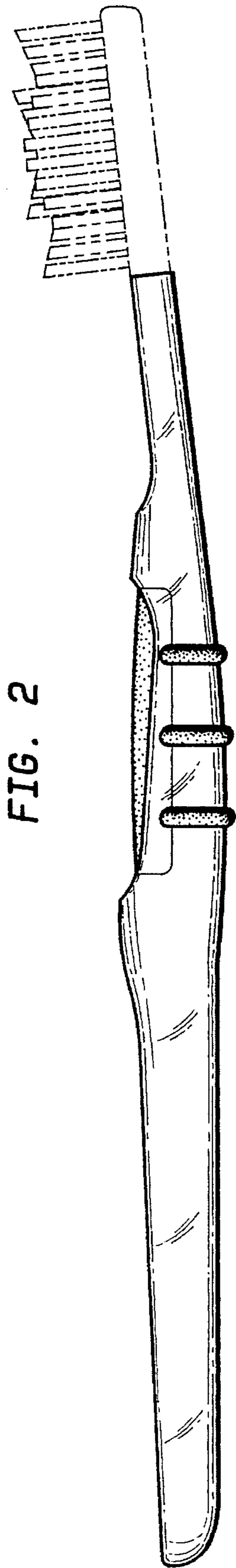


FIG. 2

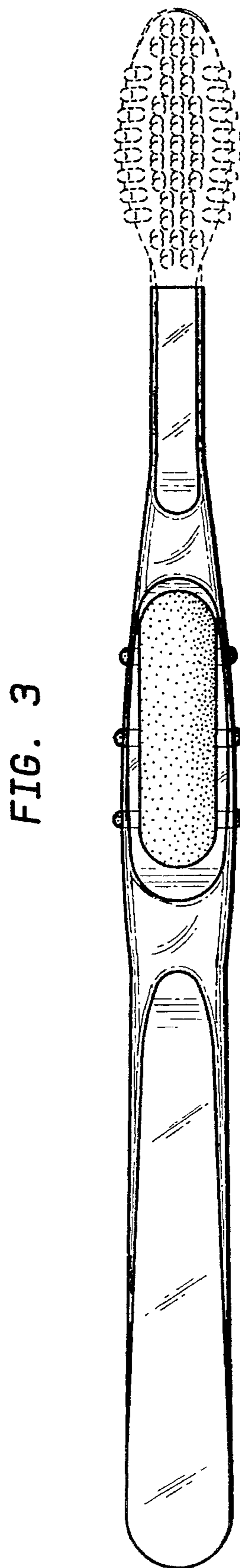


FIG. 3

FIG. 4

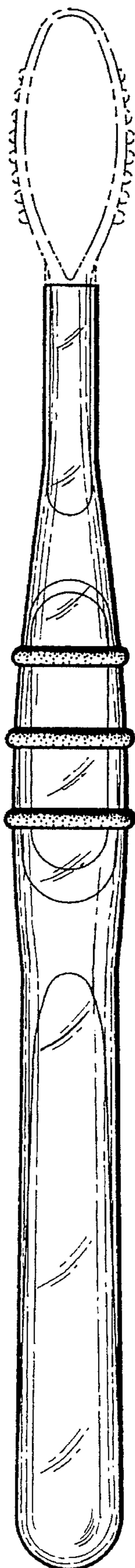


FIG. 5

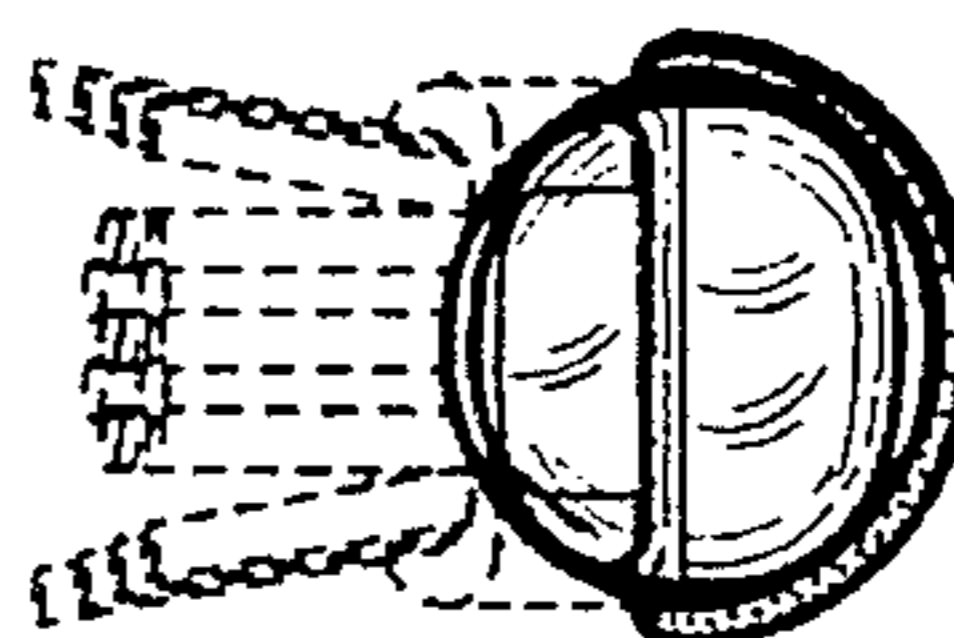


FIG. 6

