



US00D363363S

# United States Patent [19]

[11] Patent Number: **Des. 363,363**

Hsu

[45] Date of Patent: **\*\*Oct. 17, 1995**

[54] LAMP SHADE

837,349 12/1906 Smith ..... 362/407  
1,061,000 5/1913 Mygatt ..... 362/329

[75] Inventor: **Winston Hsu**, Taichung, Taiwan

### OTHER PUBLICATIONS

[73] Assignee: **Bright Yin Huey Co. Ltd.**, Taichung, Taiwan

Thomas Industries, "Majestic" lighting catalog, 1988, p. 8, chandelier shade.

[\*\*] Term: **14 Years**

*Primary Examiner*—Susan J. Lucas  
*Attorney, Agent, or Firm*—Browdy and Neimark

[21] Appl. No.: **27,341**

### [57] CLAIM

[22] Filed: **Aug. 12, 1994**

The ornamental design for a lamp shade, as shown and described.

[52] U.S. Cl. .... **D26/133**

[58] Field of Search ..... D26/128-137;  
D26/72, 80-86, 88, 89, 90; 362/341, 344,  
350, 351, 353, 354, 355, 404-408

### DESCRIPTION

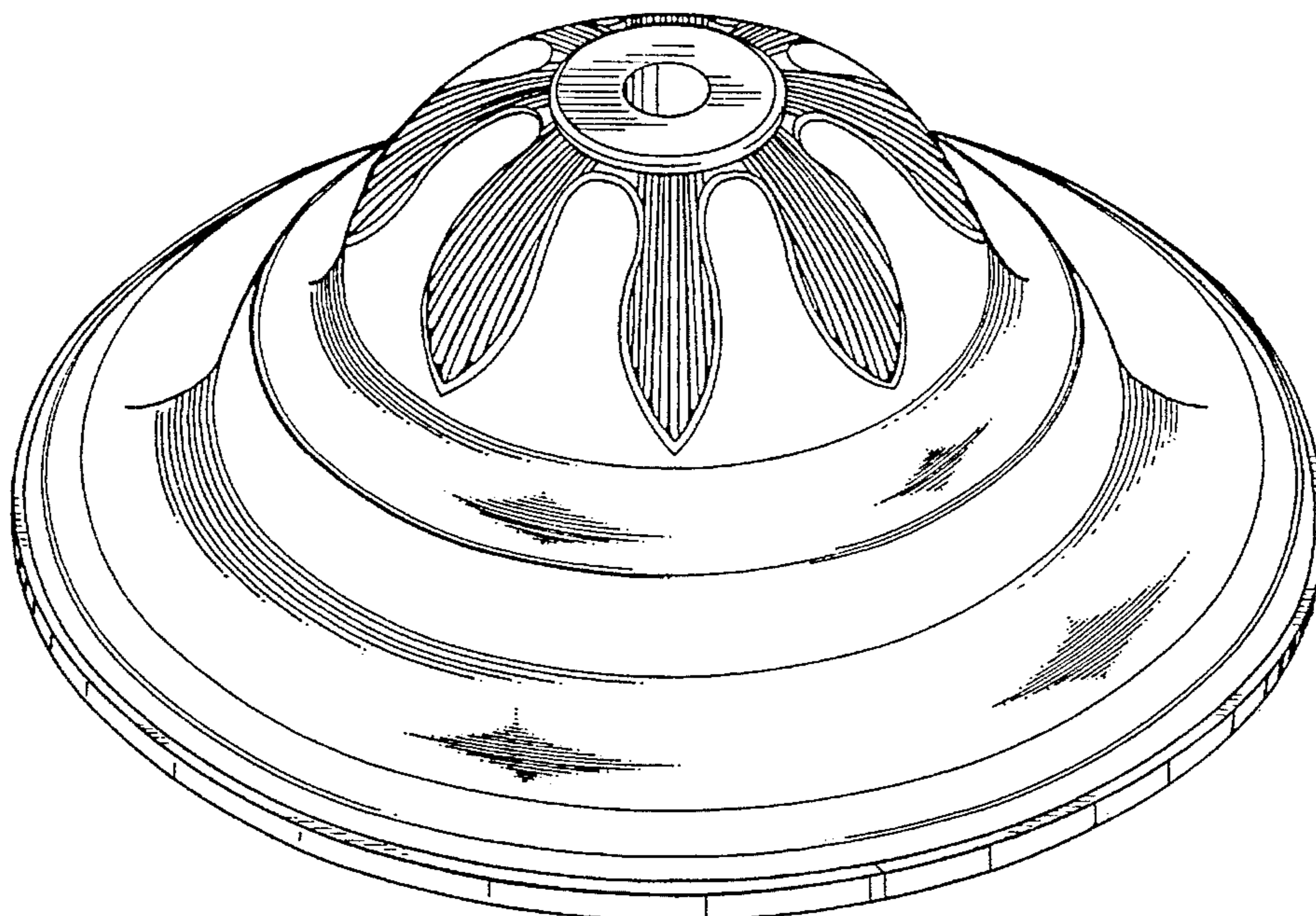
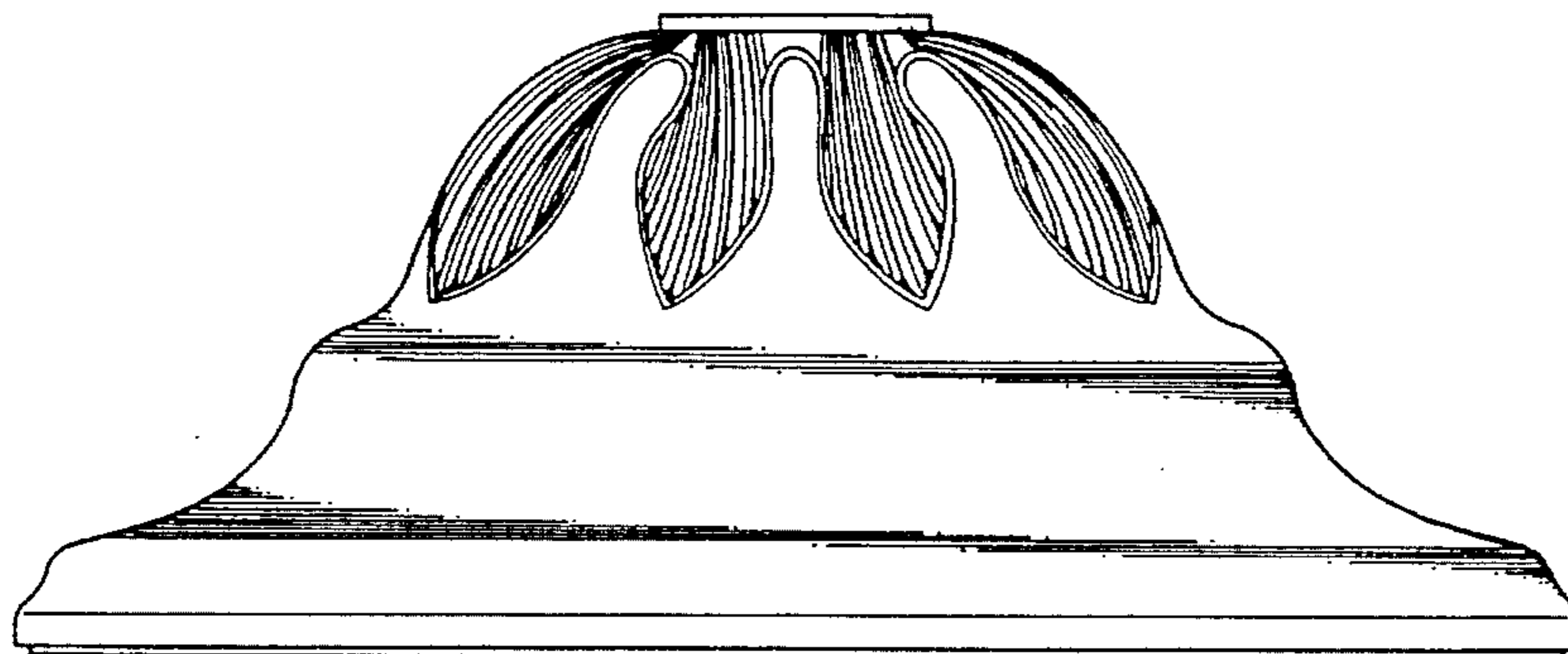
### [56] References Cited

FIG. 1 is a front view of a lamp shade of my new design; FIG. 2 is a top view thereof; FIG. 3 is a bottom view thereof; and, FIG. 4 is a perspective view thereof.

#### U.S. PATENT DOCUMENTS

D. 83,011 1/1931 Schaffer ..... D26/133  
D. 351,250 10/1994 Dolan ..... D26/131 X

**1 Claim, 4 Drawing Sheets**



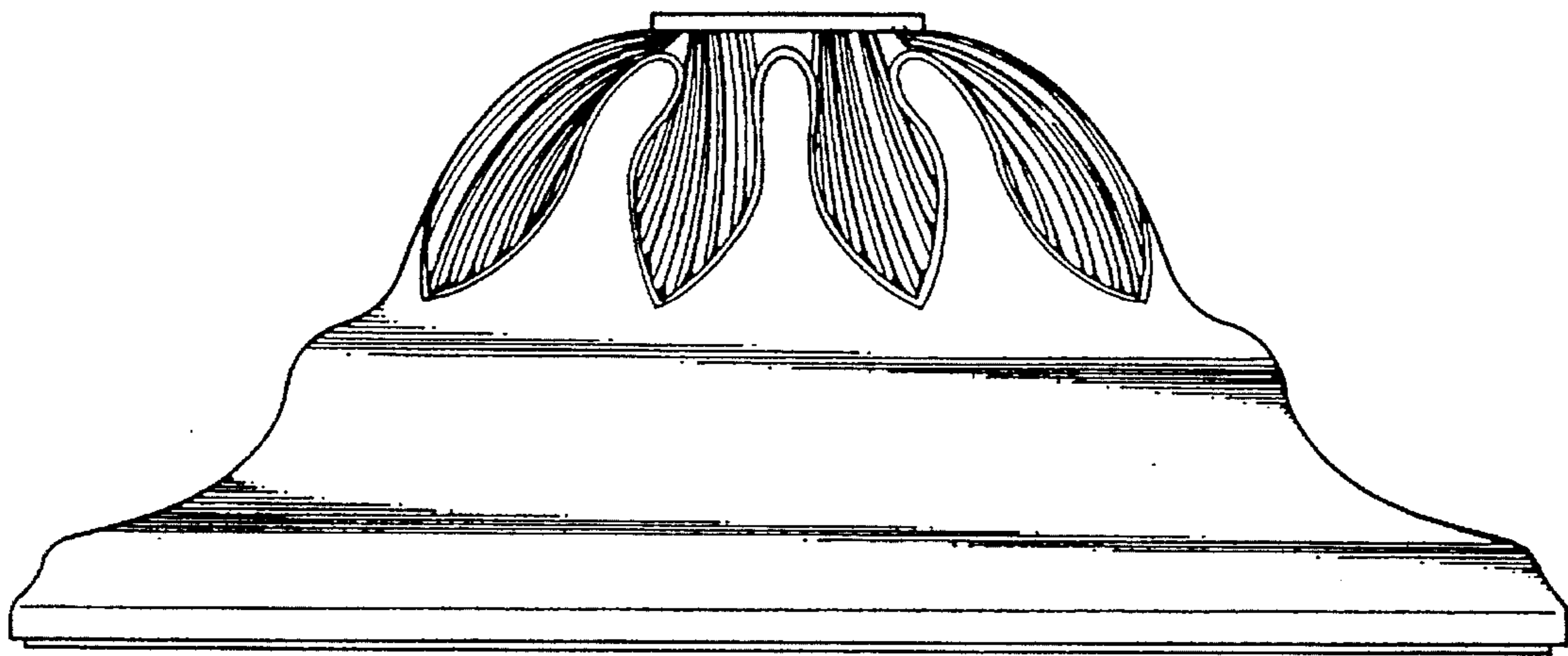


FIG. 1

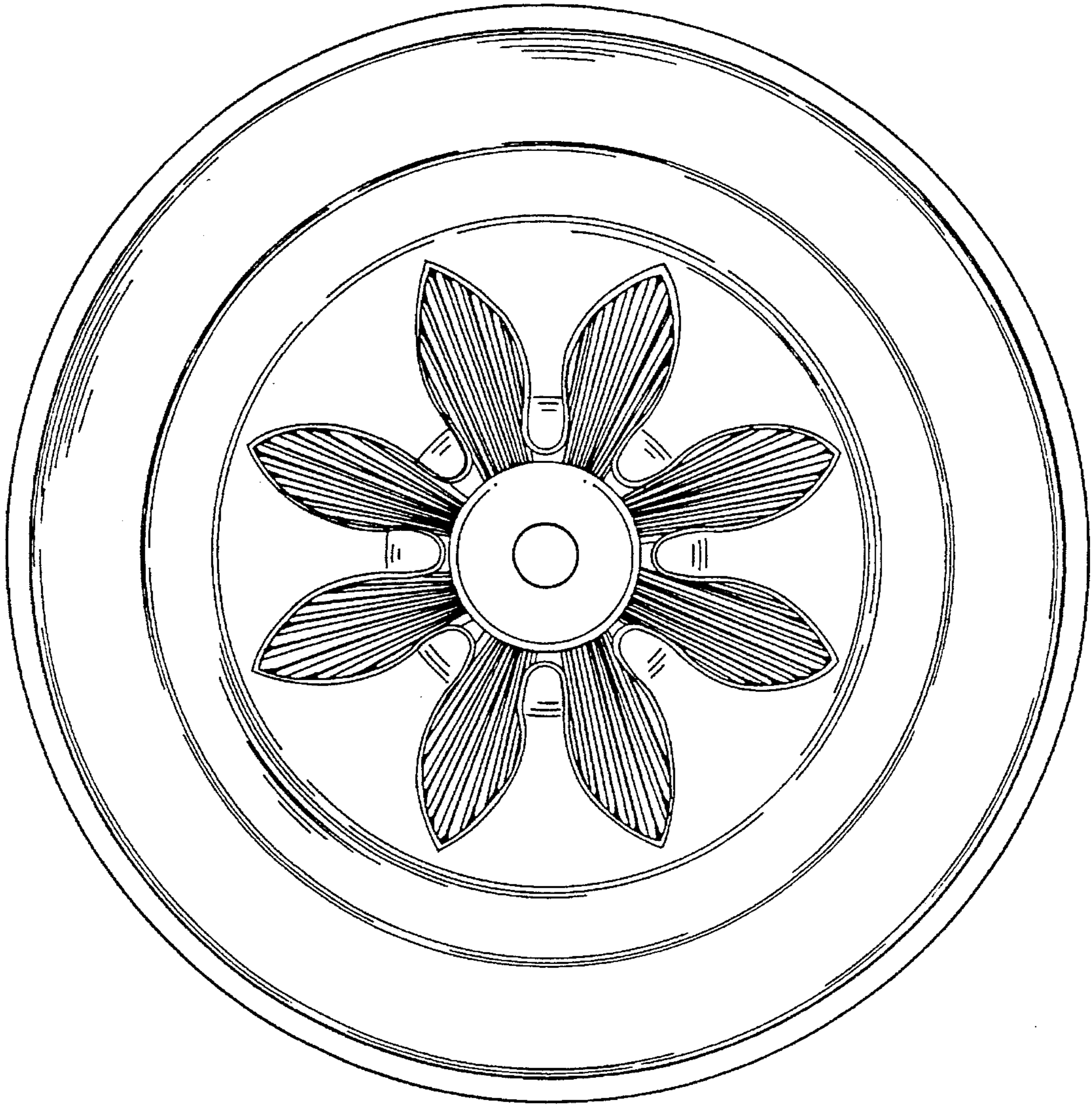


FIG. 2

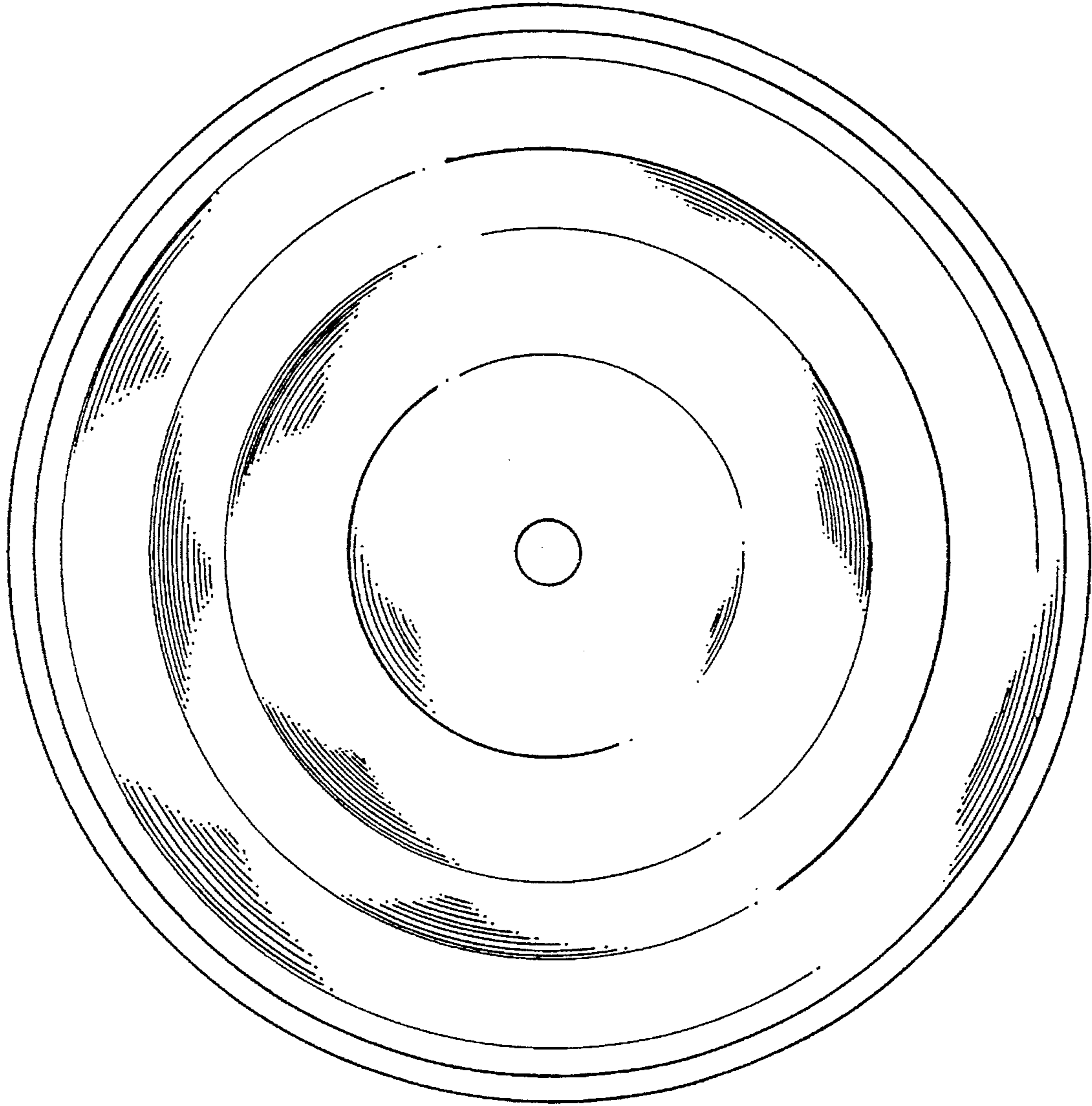


FIG. 3

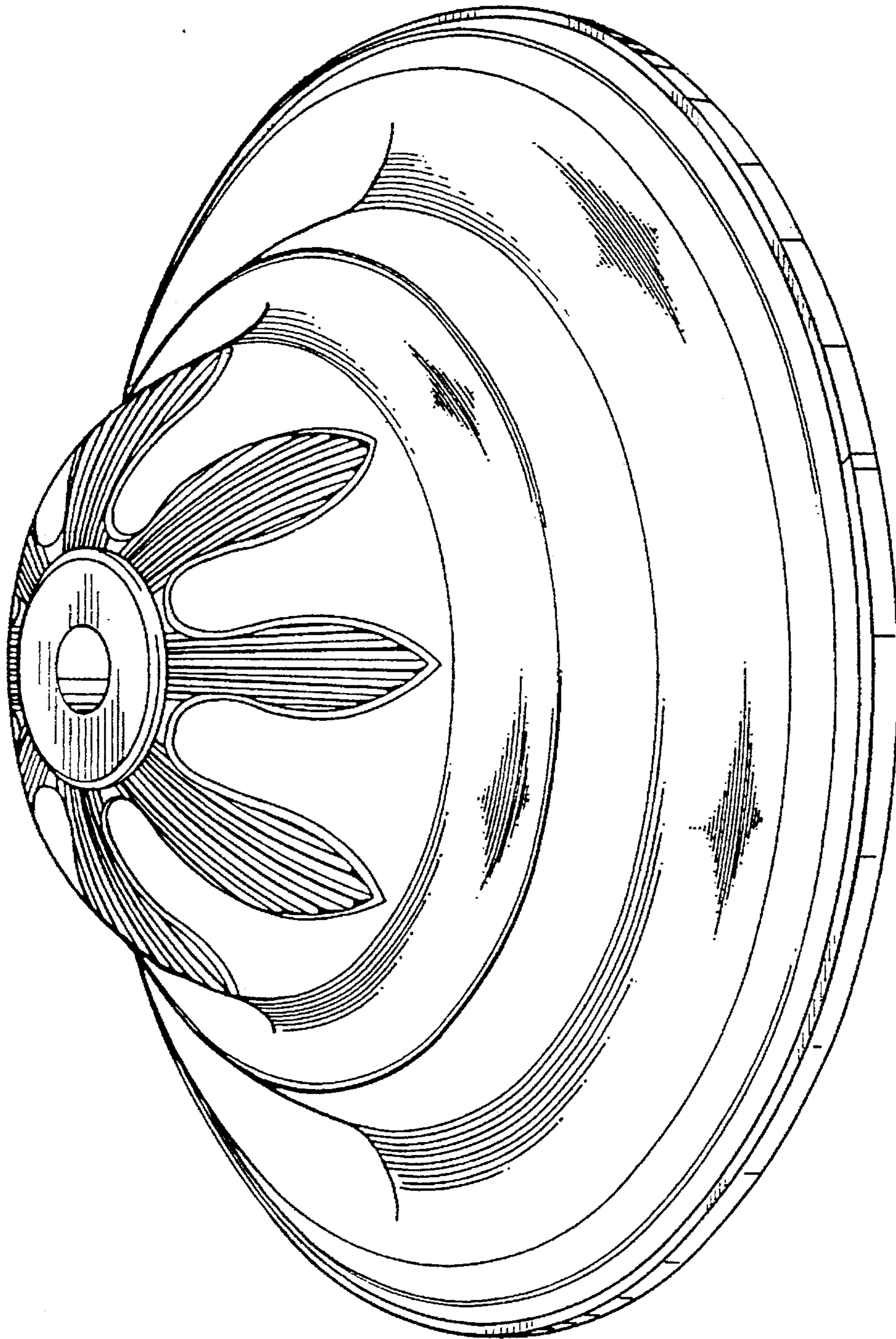


FIG. 4