



US00D363362S

# United States Patent [19]

Davis, Sr.

[11] Patent Number: **Des. 363,362**

[45] Date of Patent: **\*\*Oct. 17, 1995**

[54] **GLOBE FOR A CEILING FAN LIGHT  
FIXTURE**

1,585,472 5/1926 Dickerson ..... 362/329 X

[75] Inventor: **William S. Davis, Sr.**, Fort Worth, Tex.

*Primary Examiner*—Susan J. Lucas  
*Attorney, Agent, or Firm*—James E. Bradley

[73] Assignee: **Davoil, Inc.**, Fort Worth, Tex.

[57] **CLAIM**

[\*\*] Term: **14 Years**

The ornamental design for a globe for a ceiling fan light fixture, as shown and described.

[21] Appl. No.: **17,291**

**DESCRIPTION**

[22] Filed: **Jan. 7, 1994**

[52] U.S. Cl. .... **D26/131**

FIG. 1 is a front perspective view of a globe for a ceiling fan light fixture;

[58] Field of Search ..... D26/128-137,  
D26/72, 80-86, 88, 89, 90; 362/326, 327,  
329, 331, 333, 334, 337, 338, 339, 340,  
350, 351, 363, 404-408, 147

FIG. 2 is a side elevational view thereof, each elevational view being identical;

FIG. 3 is a top plan view thereof; and,

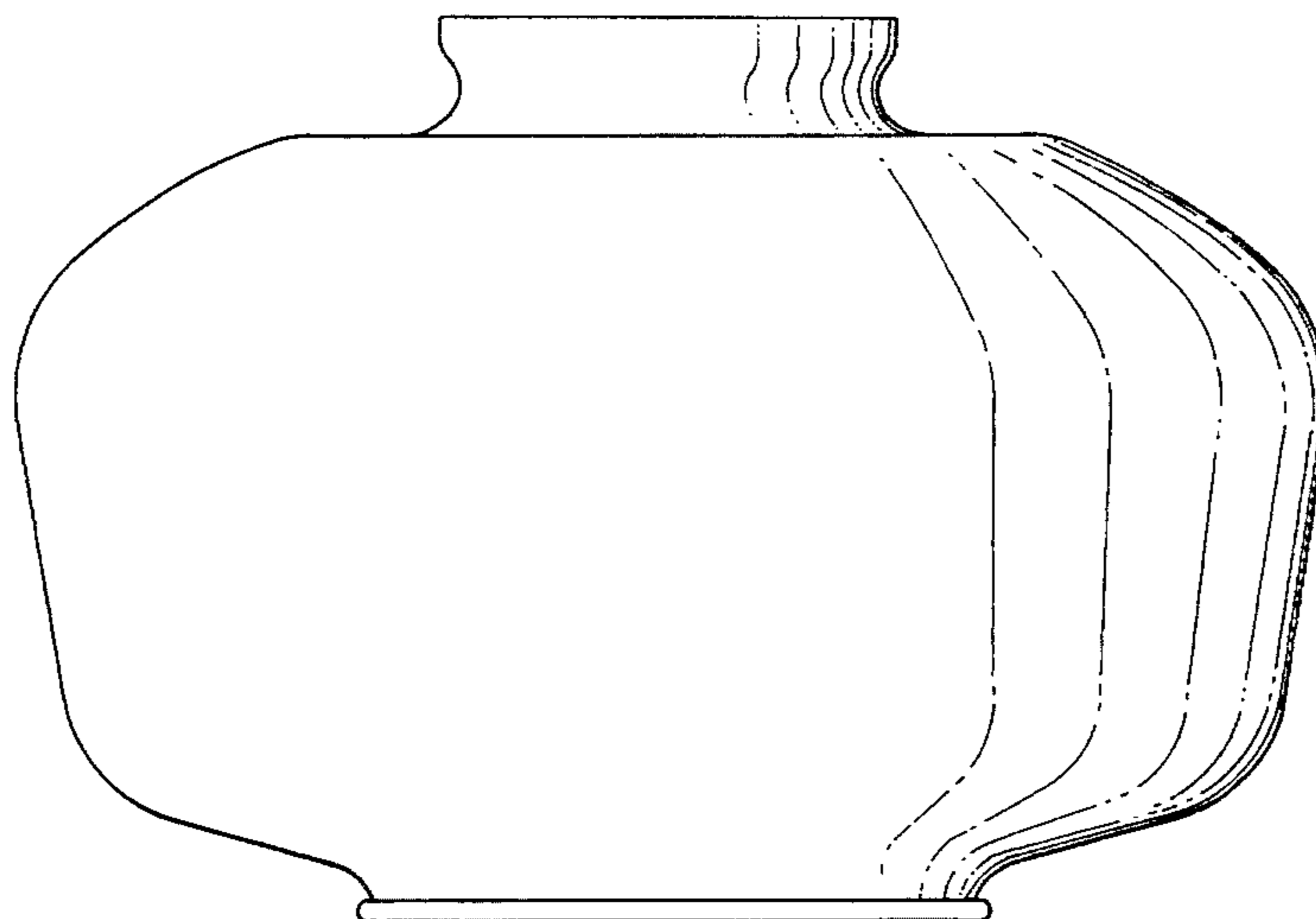
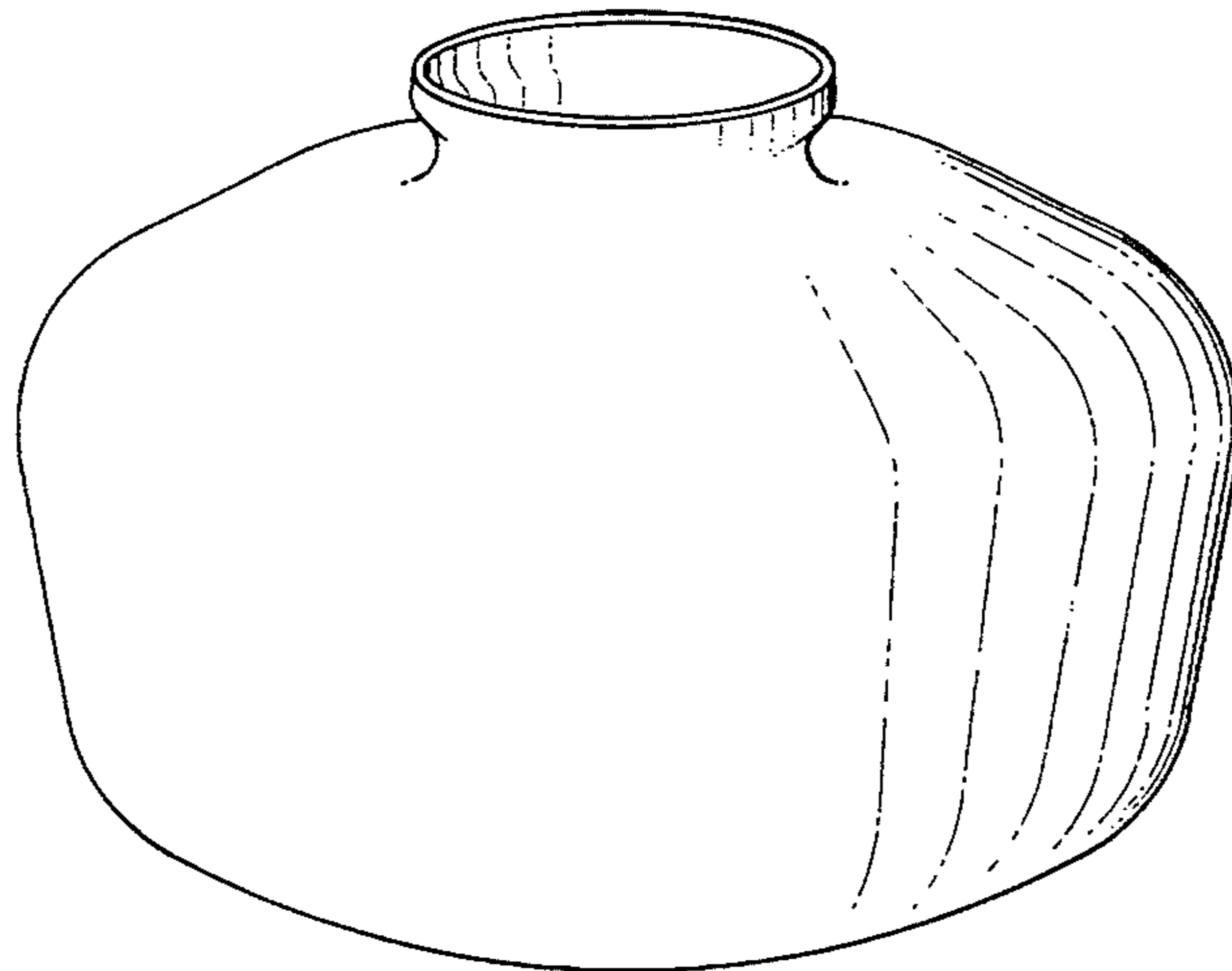
FIG. 4 is a bottom plan view thereof.

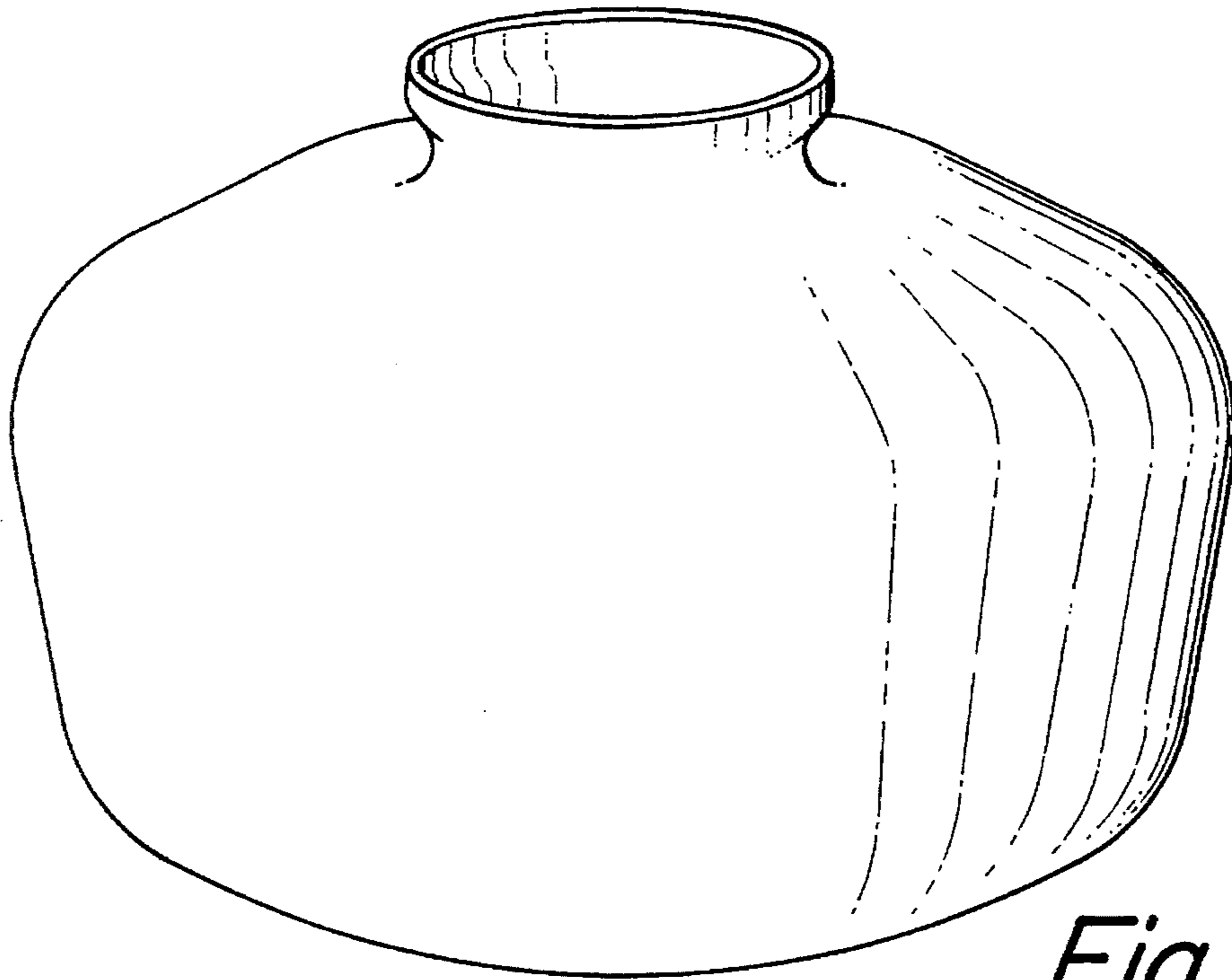
[56] **References Cited**

**U.S. PATENT DOCUMENTS**

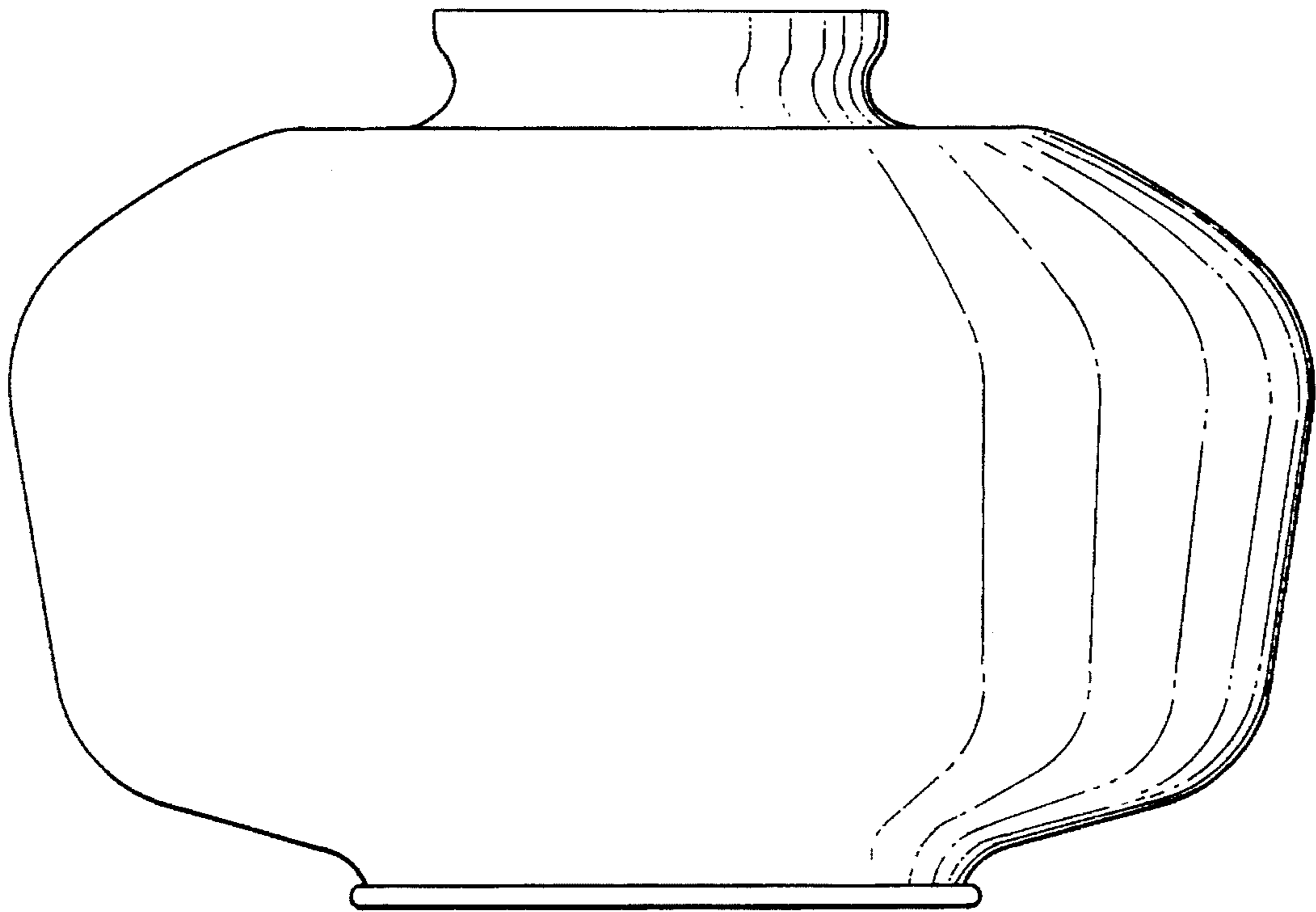
D. 69,872 4/1926 D'Olier, Jr. .... D26/131

**1 Claim, 2 Drawing Sheets**

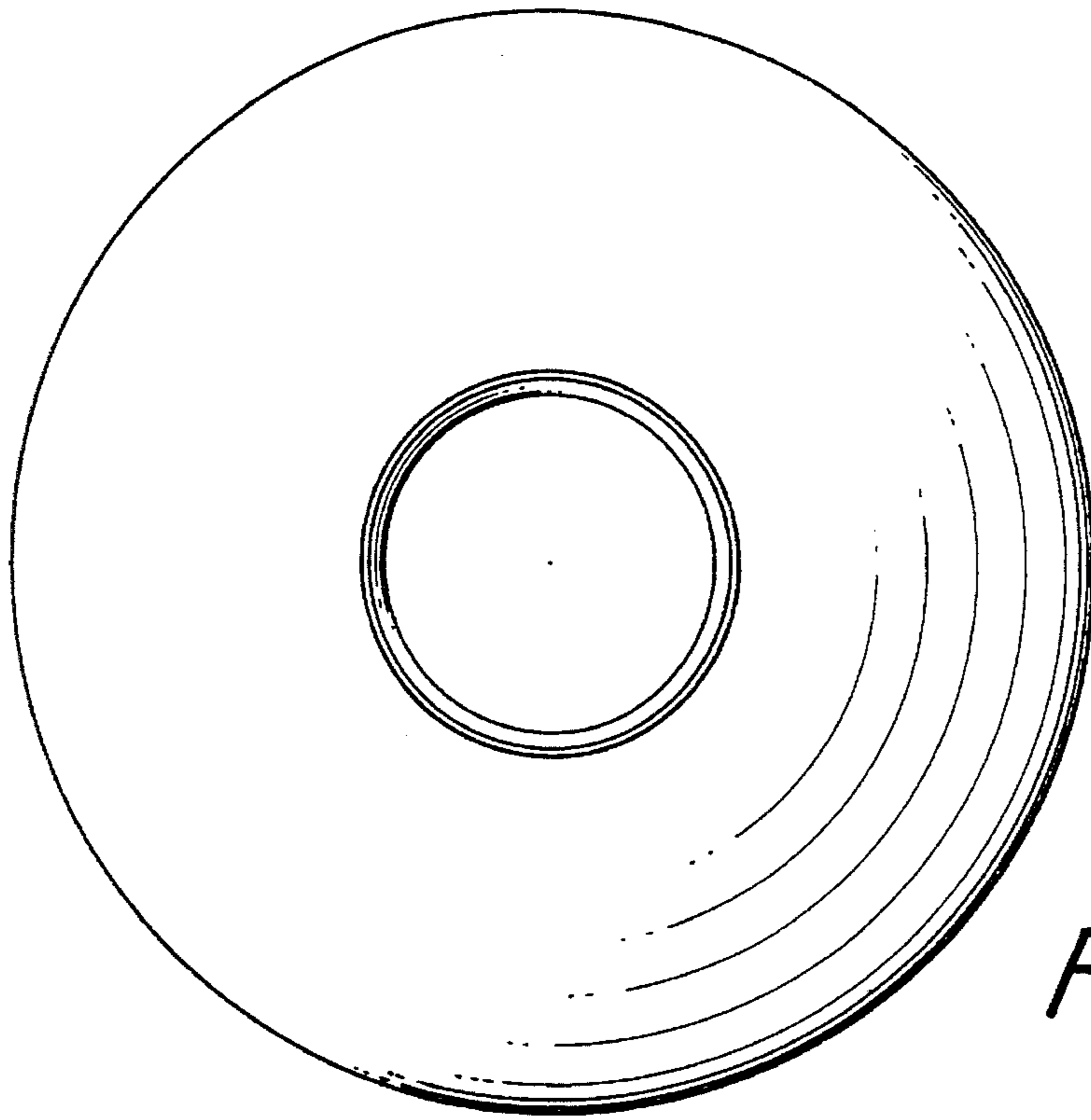




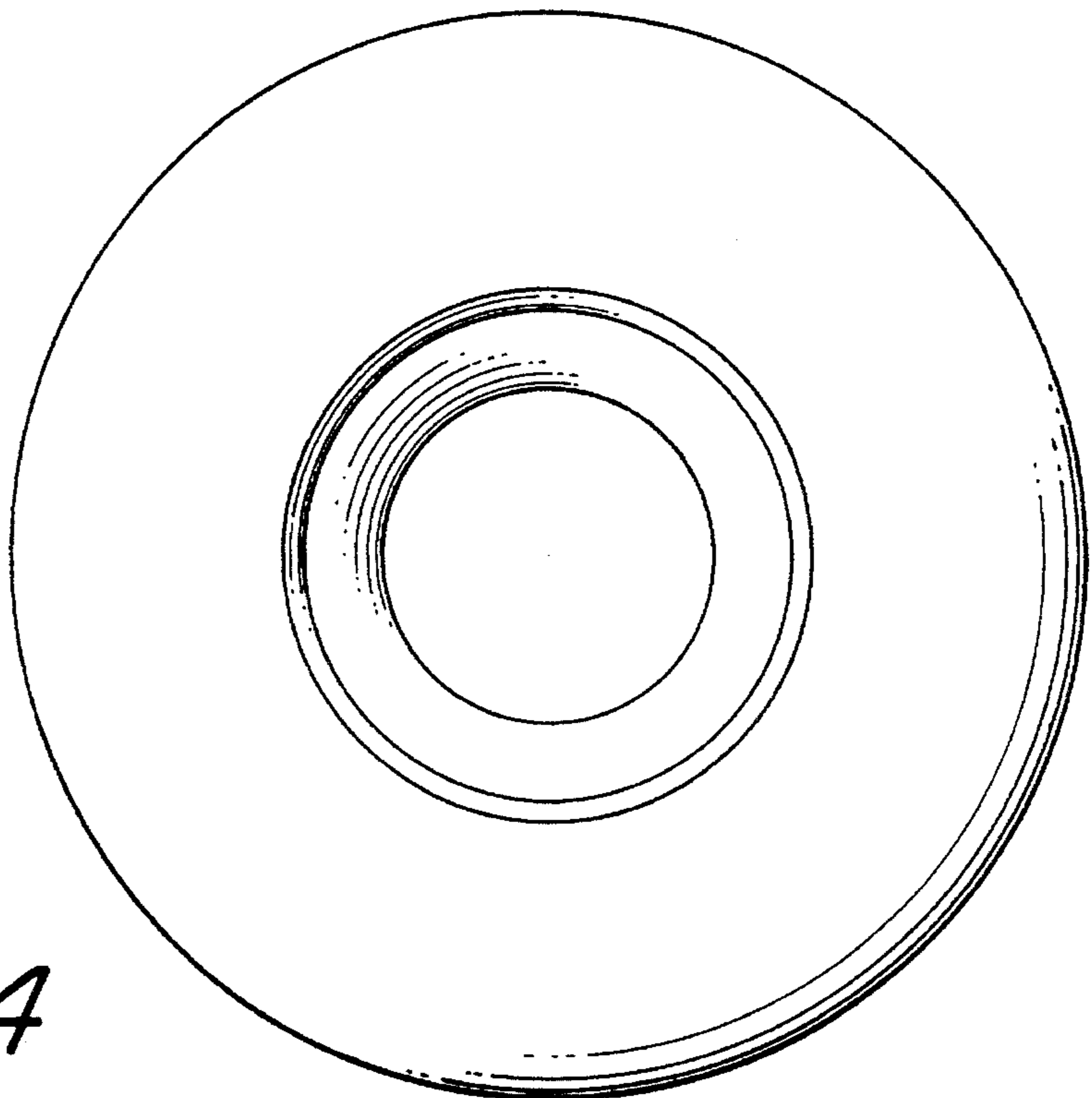
*Fig. 1*



*Fig. 2*



*Fig. 3*



*Fig. 4*