



US00D363361S

**United States Patent** [19]  
**Maglica**

[11] **Patent Number: Des. 363,361**  
[45] **Date of Patent: \*\*Oct. 17, 1995**

[54] **FLASHLIGHT**

[75] Inventor: **Anthony Maglica**, Anaheim, Calif.

[73] Assignee: **MAG Instrument, Inc.**, Ontario, Calif.

[\*\*] Term: **14 Years**

[21] Appl. No.: **834,102**

[22] Filed: **Feb. 11, 1992**

[52] **U.S. Cl.** ..... **D26/49**

[58] **Field of Search** ..... **D26/37-50; 362/157,**  
**362/158, 184, 183, 189, 190, 191, 196,**  
**197, 198, 199, 200, 201, 202, 203**

[56] **References Cited**

**U.S. PATENT DOCUMENTS**

D. 263,170	2/1982	Maglica	.....	D26/49
D. 268,528	4/1983	Hung	.....	D26/49
3,737,649	6/1973	Nelson et al.	.....	D26/48
4,658,336	4/1987	Maglica	.....	362/197
4,905,129	2/1990	Sharrah	.....	362/158
5,021,934	6/1991	Hou	.....	362/158

*Primary Examiner*—Susan J. Lucas  
*Attorney, Agent, or Firm*—Lyon & Lyon

[57] **CLAIM**

The ornamental design for a flashlight, as shown and described.

**DESCRIPTION**

FIG. 1 is a front perspective view of the flashlight showing

my new design;

FIG. 2 is a rear perspective view thereof;

FIG. 3 is a side elevational view thereof, the opposite side being identical in appearance;

FIG. 4 is an rear elevational view thereof;

FIG. 5 is a front elevational view thereof;

FIG. 6 is a front perspective view of an alternative embodiment of the flashlight showing my new design;

FIG. 7 is a rear perspective view thereof;

FIG. 8 is a side elevational view thereof, the opposition side being identical in appearance;

FIG. 9 is an rear elevational view thereof;

FIG. 10 is a front elevational view thereof;

FIG. 11 is a front perspective view of another alternative embodiment of the flashlight showing my new design;

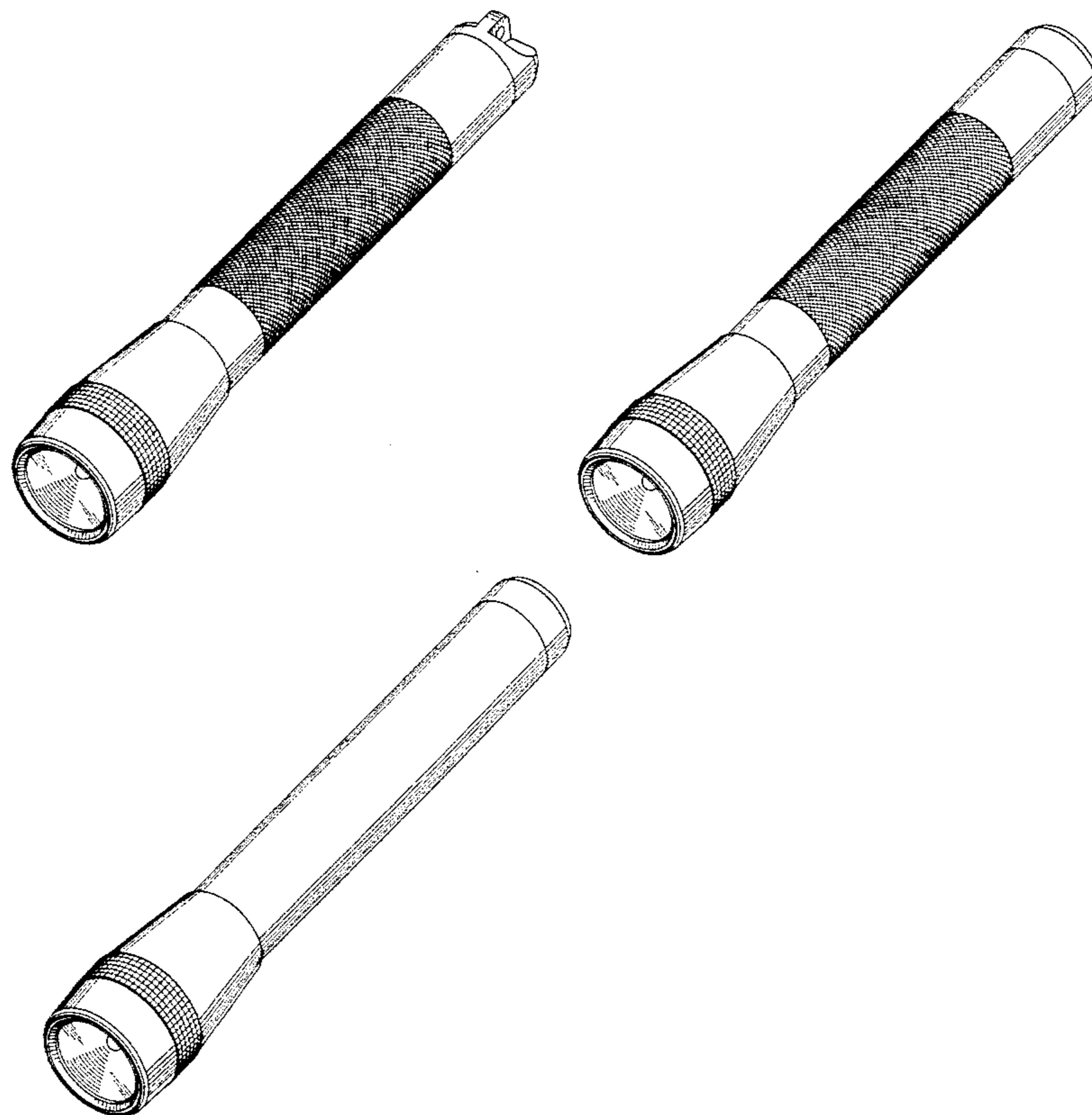
FIG. 12 is a rear perspective view thereof;

FIG. 13 is a side elevational view thereof, the opposition side being identical in appearance;

FIG. 14 is an rear elevational view thereof; and,

FIG. 15 is a front elevational view thereof.

**1 Claim, 3 Drawing Sheets**



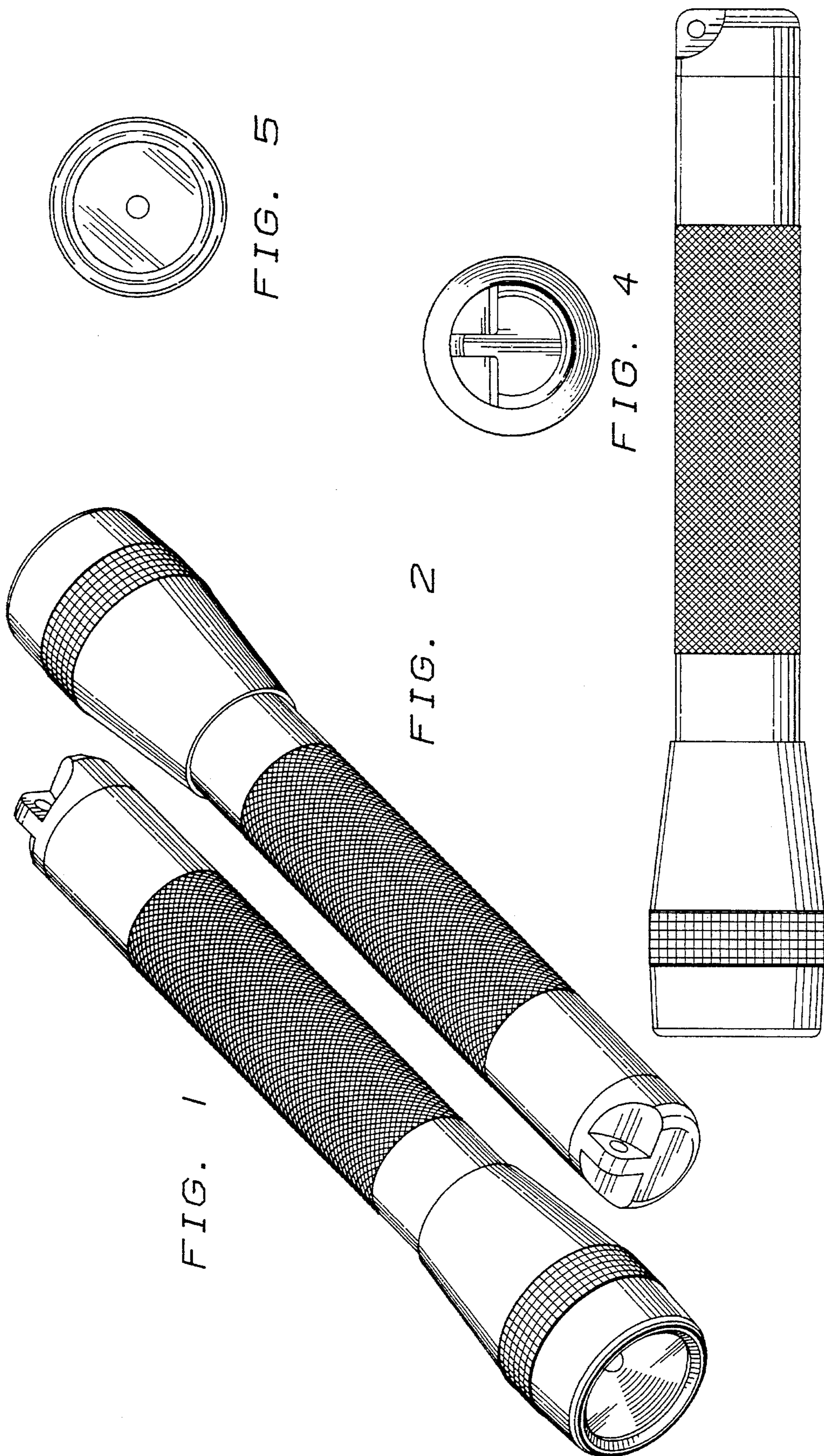


FIG. 1

FIG. 2

FIG. 4

FIG. 3

FIG. 5

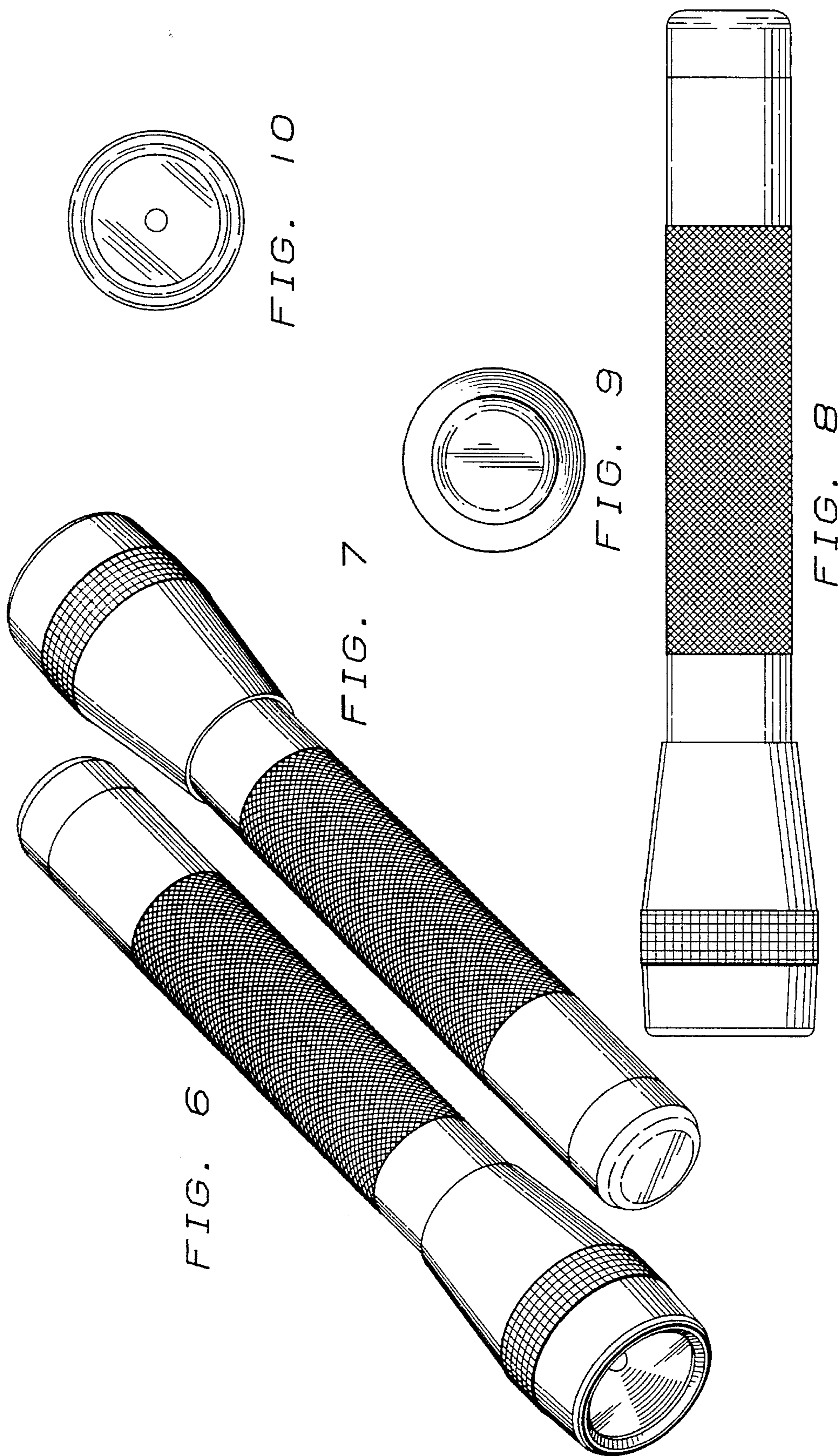


FIG. 6

FIG. 7

FIG. 10

FIG. 9

FIG. 8

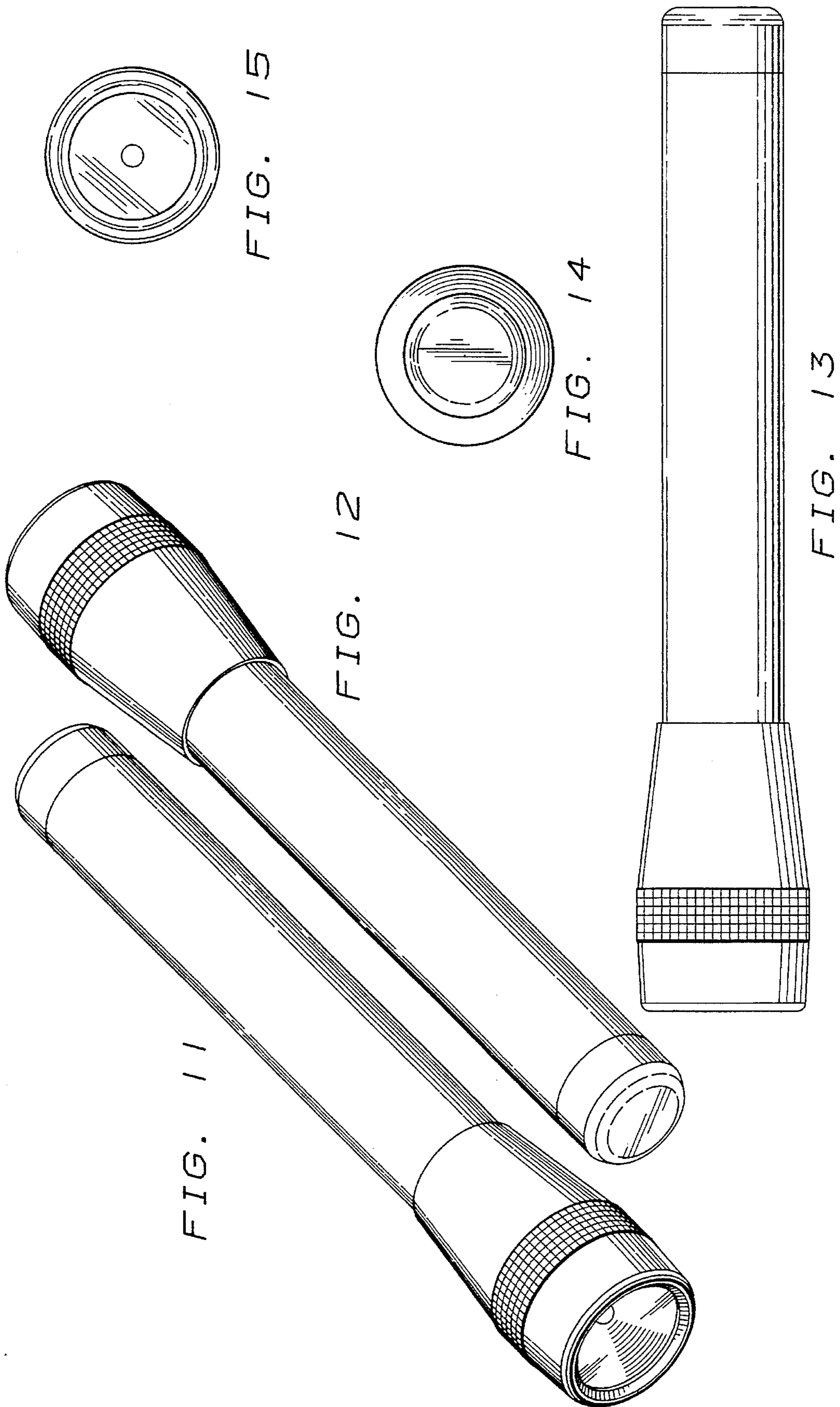


FIG. 11

FIG. 12

FIG. 14

FIG. 13

FIG. 15