



US00D363360S

United States Patent [19]
Santarsiero

[11] **Patent Number: Des. 363,360**
[45] **Date of Patent: **Oct. 17, 1995**

[54] **FLASHLIGHT**

[75] Inventor: **Paul S. Santarsiero**, Avon, Conn.

[73] Assignee: **Black & Decker Inc.**, Newark, Del.

[**] Term: **14 Years**

[21] Appl. No.: **34,503**

[22] Filed: **Feb. 6, 1995**

[52] U.S. Cl. **D26/43**

[58] **Field of Search** D26/37, 43, 44,
D26/46, 49, 60, 62; 362/157, 158, 184,
188, 189, 191, 198, 199, 200, 396

[56] **References Cited**

U.S. PATENT DOCUMENTS

D. 314,246	1/1991	Bache	D26/62
D. 337,839	7/1993	Zeller	D26/43
2,679,575	5/1959	Haberstump	362/191 X
3,111,277	11/1963	Grimsley	D26/43 X
5,385,500	1/1995	Schmidt	362/189 X

FOREIGN PATENT DOCUMENTS

685931 8/1986 Japan D26/43

Primary Examiner—Susan J. Lucas
Attorney, Agent, or Firm—Barry E. Deutsch

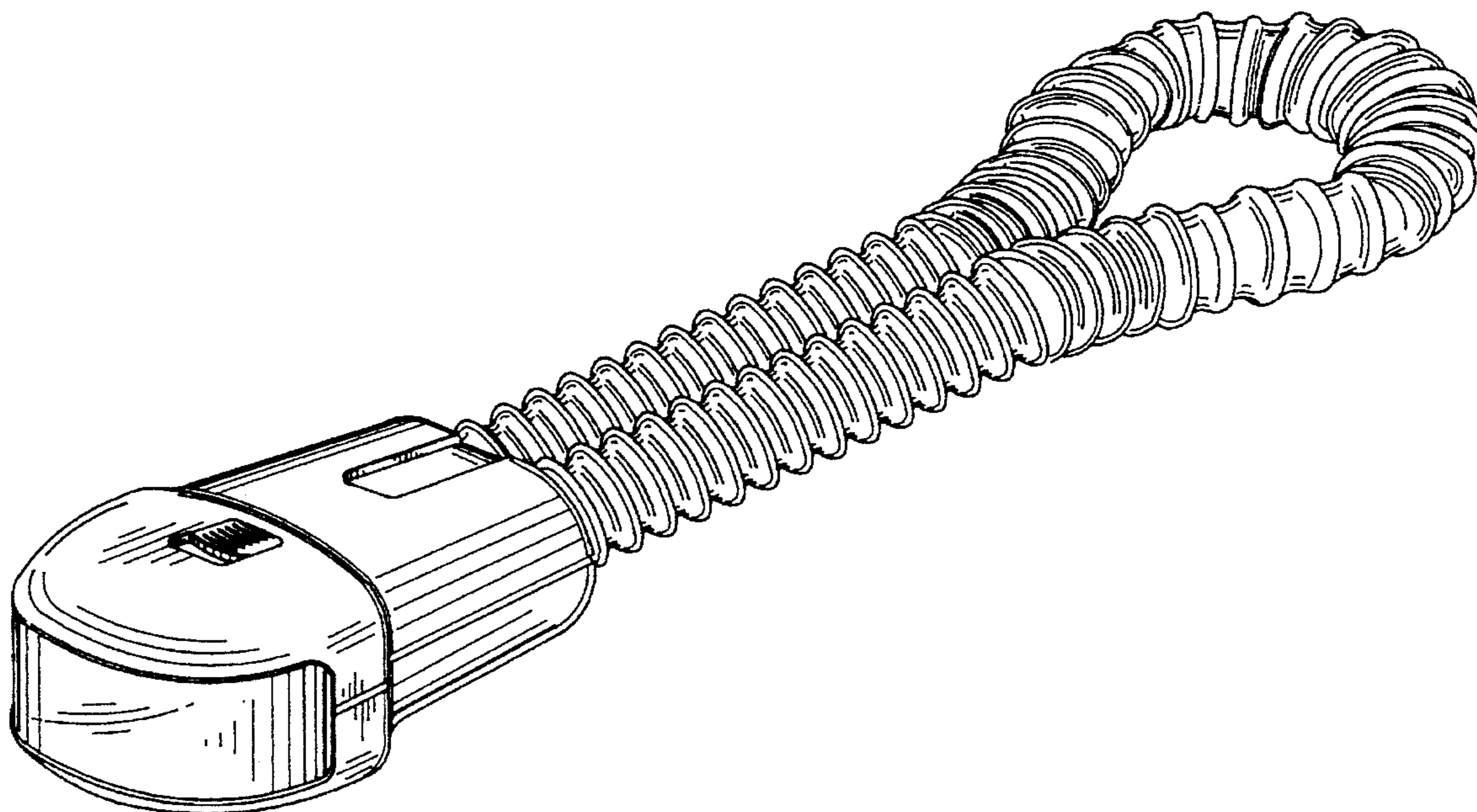
[57] **CLAIM**

The ornamental design for a flashlight, as shown and described.

DESCRIPTION

FIG. 1 is a perspective view taken from the front, top and right side of a flashlight illustrating my new design; FIG. 2 is a right side elevational view thereof; FIG. 3 is a left side elevational view thereof; FIG. 4 is a front elevational view thereof; FIG. 5 is a rear elevational view thereof; FIG. 6 is a top plan view thereof; and, FIG. 7 is a bottom plan view thereof.

1 Claim, 3 Drawing Sheets



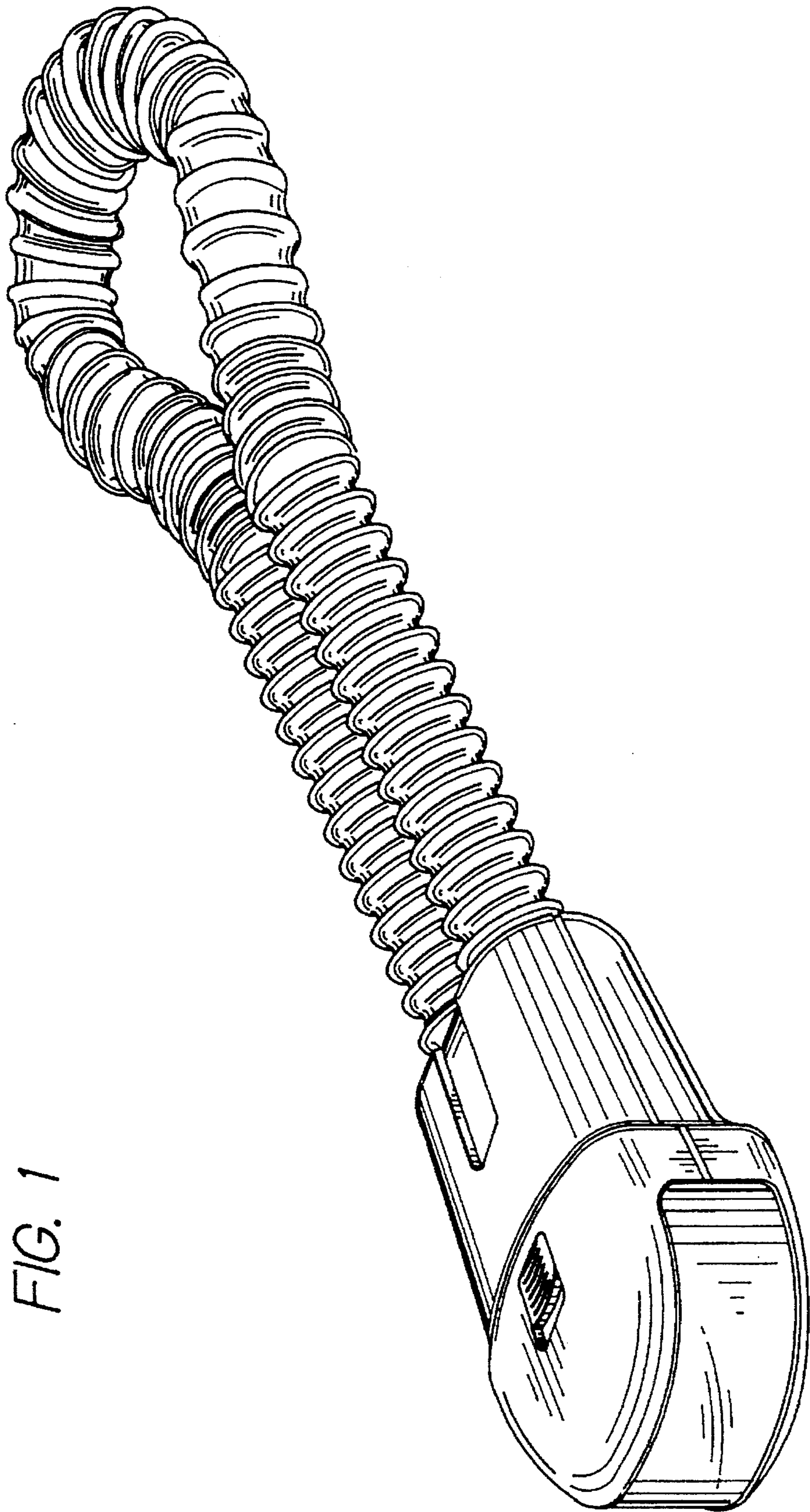


FIG. 1

FIG. 2

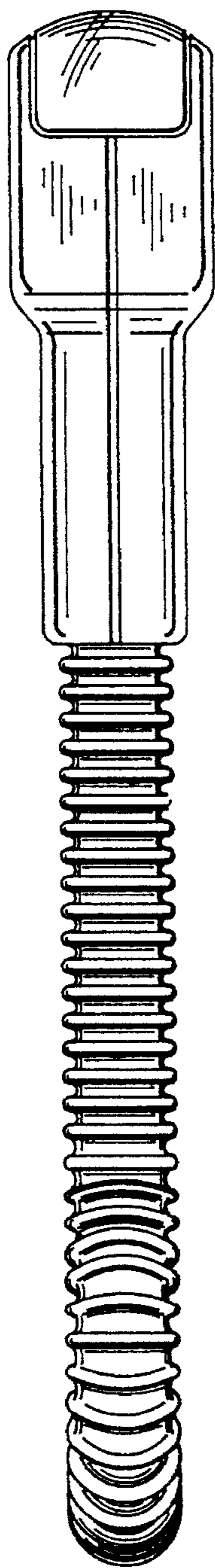


FIG. 3

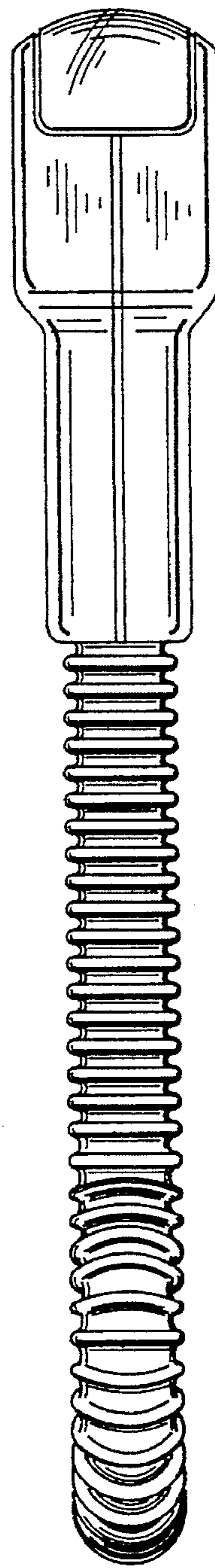


FIG. 4

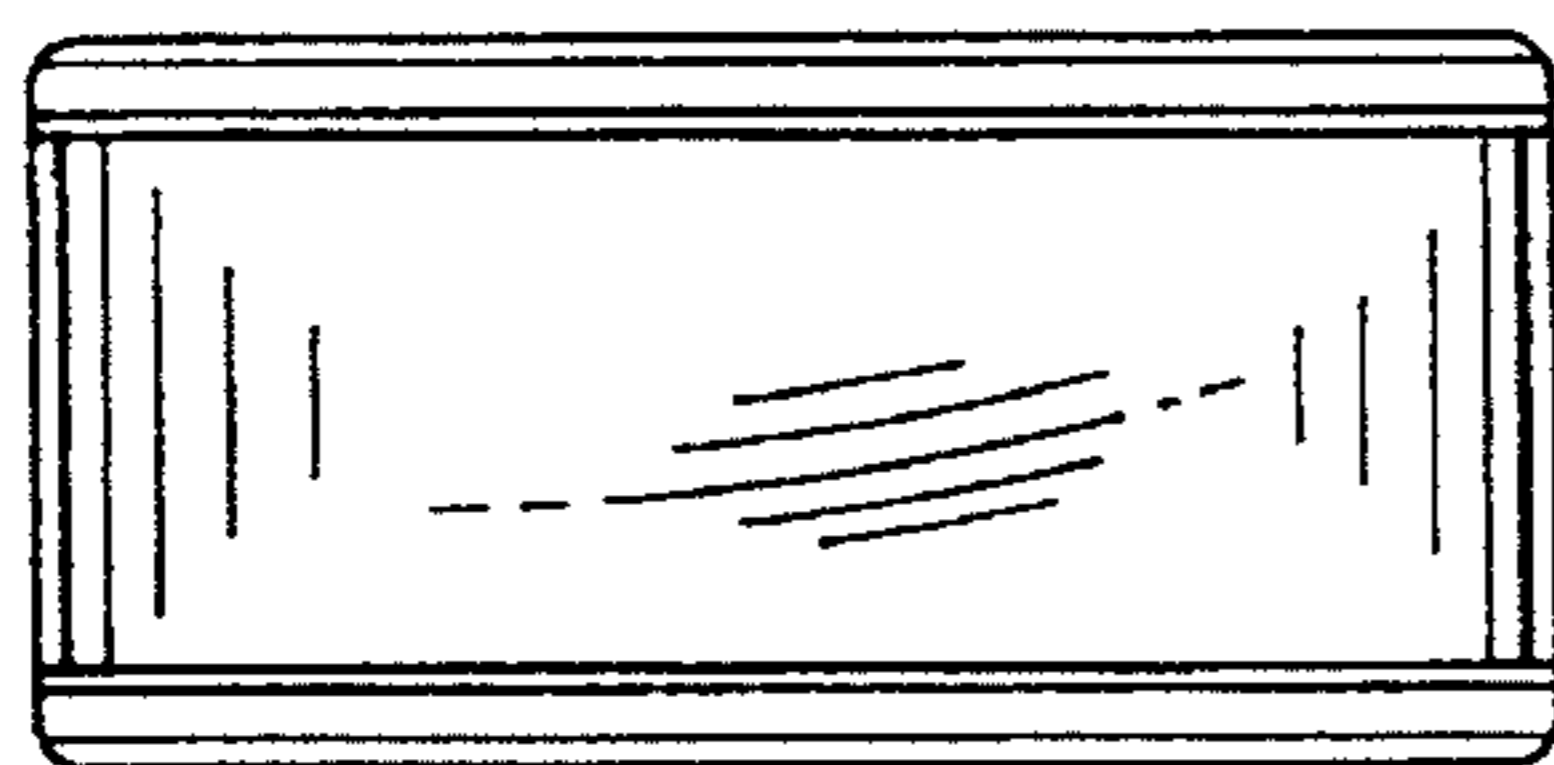
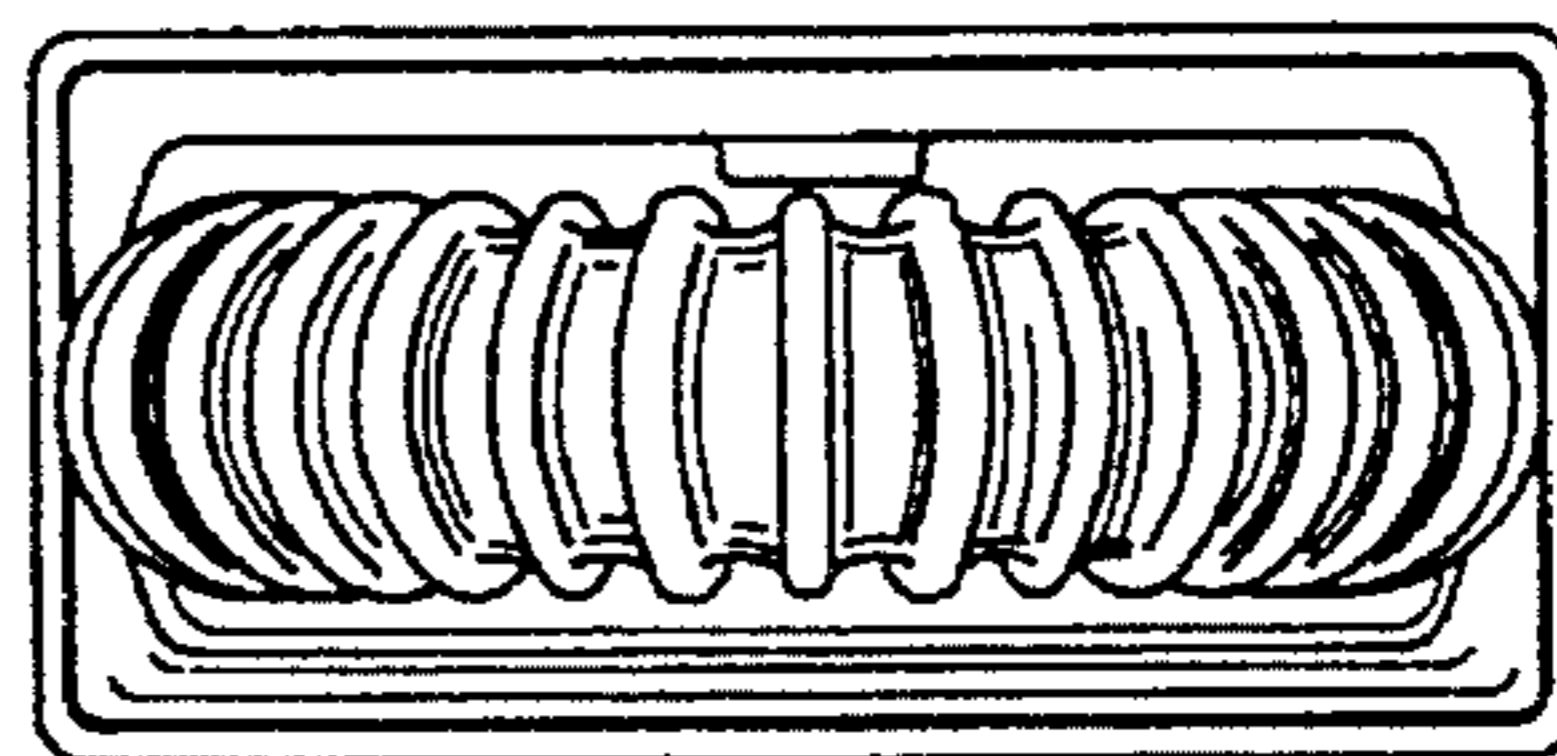


FIG. 5



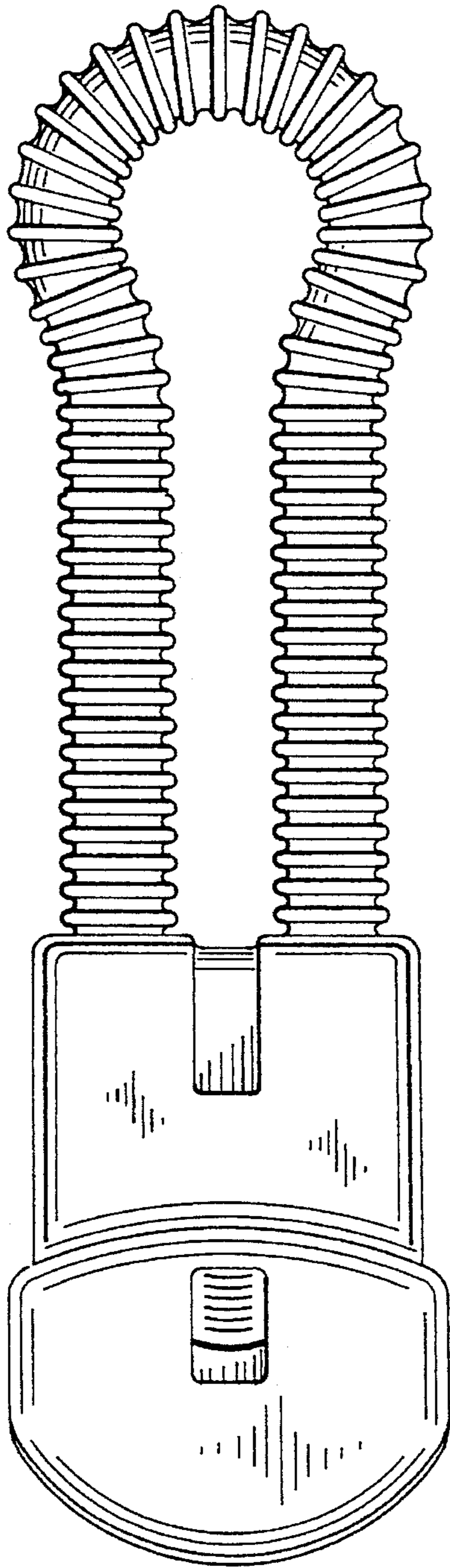


FIG. 6

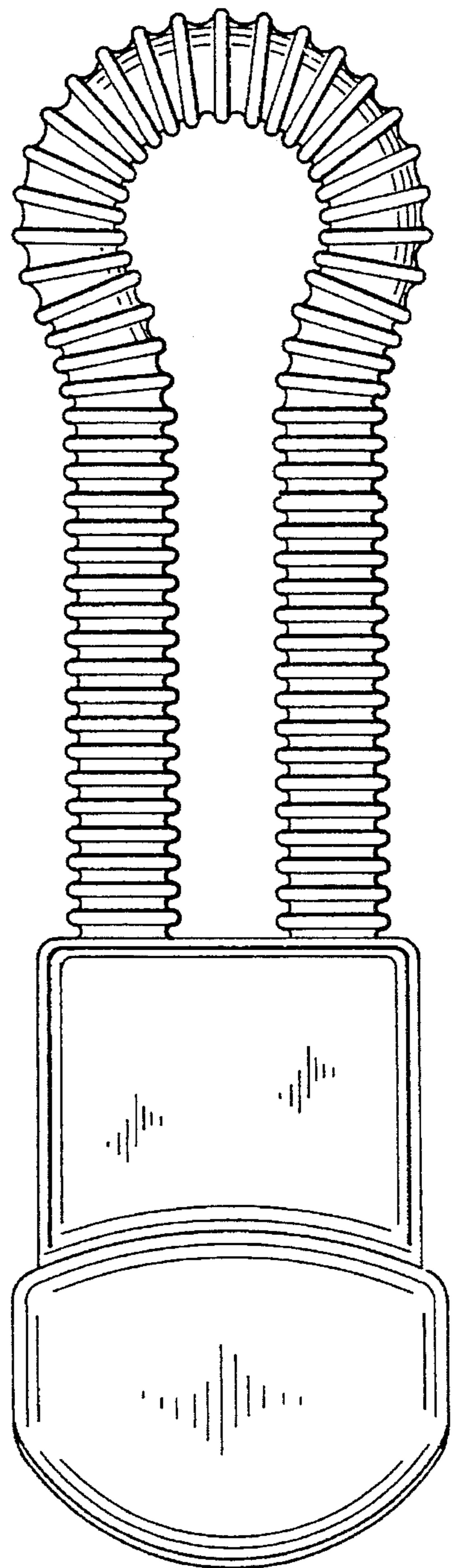


FIG. 7