



US00D363359S

United States Patent [19]

[11] Patent Number: **Des. 363,359**

Henrici et al.

[45] Date of Patent: ****Oct. 17, 1995**

[54] **LAMP HOLDER**

[75] Inventors: **Dieter Henrici**, Arnsberg;
Karl-Wilhelm Vogt, Ense, both of
Germany

[73] Assignee: **Brokelmann, Jaeger & Busse, GmbH**
& Co., Arnsberg, Germany

[**] Term: **14 Years**

[21] Appl. No.: **20,695**

[22] Filed: **Mar. 31, 1994**

[30] **Foreign Application Priority Data**

Feb. 23, 1994 [WO] WIPO DM/028790
[52] U.S. Cl. **D26/28**
[58] Field of Search D26/1, 2, 3, 28-36;
362/61, 80, 82, 83, 83.3, 84, 87, 90; 315/56,
57, 58, 63

[56] **References Cited**

U.S. PATENT DOCUMENTS

D. 110,832	8/1938	Crimmins	D26/28
D. 138,317	7/1944	Hallman	D26/28
D. 261,048	9/1981	Price	D26/28
D. 295,680	5/1988	Whitley, II	D26/28
D. 345,431	3/1994	Pogue	D26/28

Primary Examiner—A. Hugo Word
Assistant Examiner—Marcus Jackson
Attorney, Agent, or Firm—Herbert Dubno; Ronald Lianides

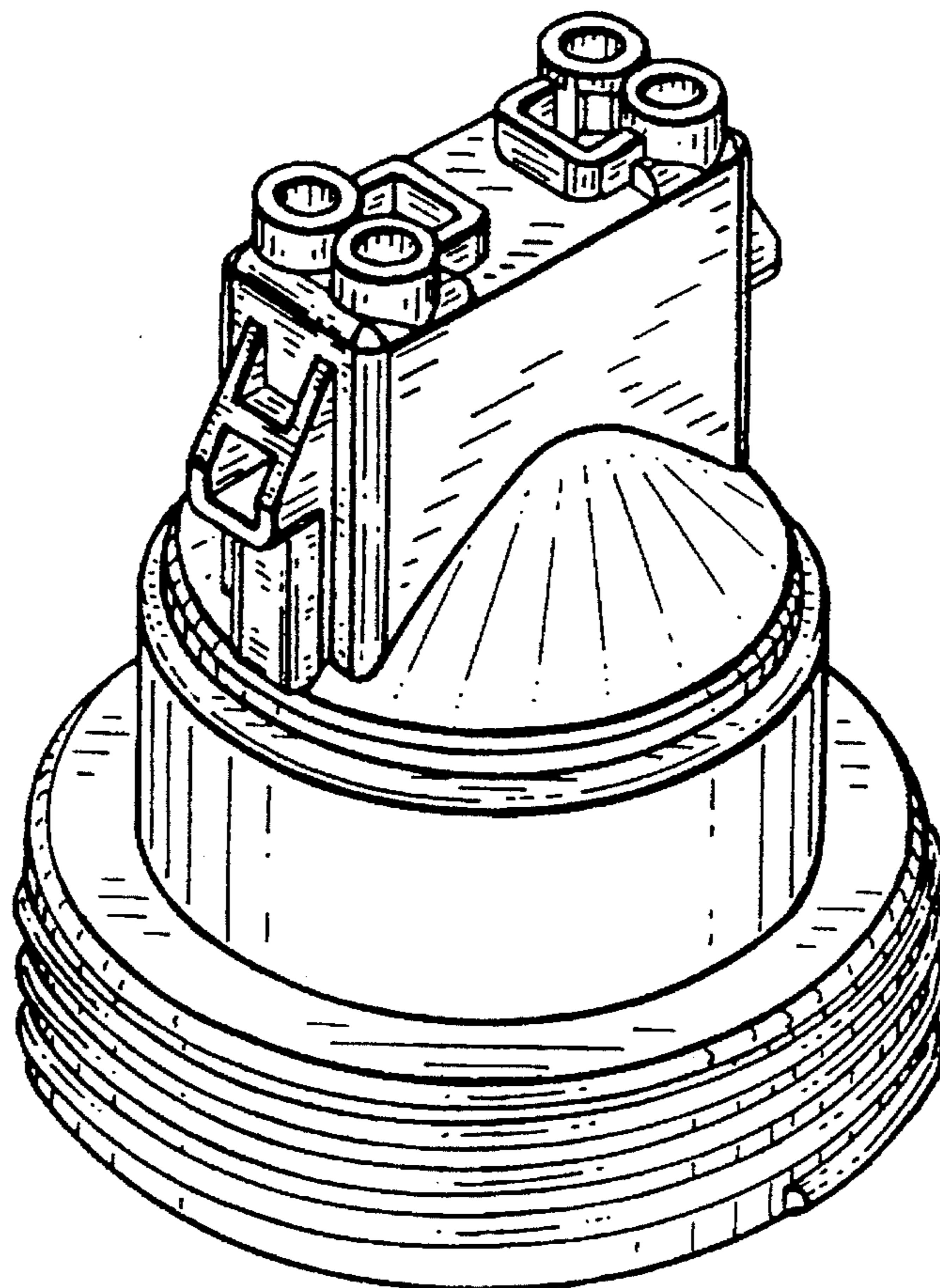
[57] **CLAIM**

The ornamental design for a lamp holder, as shown and described.

DESCRIPTION

FIG. 1 is a top, left-side front perspective view of a lamp holder embodying our new design;
FIG. 2 is a front elevational view thereof, the rear view being mirror symmetrical thereto;
FIG. 3 is a left side elevational view thereof, the right side being mirror symmetrical thereto;
FIG. 4 is a top view thereof;
FIG. 5 is a bottom view thereof;
FIG. 6 is a top, left side front perspective view of a modification thereof;
FIG. 7 is a front elevational view thereof the rear view being mirror symmetrical thereto;
FIG. 8 is a left side elevational view, the right side being mirror symmetrical thereto;
FIG. 9 is a top view thereof; and,
FIG. 10 is a bottom view thereof.

1 Claim, 4 Drawing Sheets



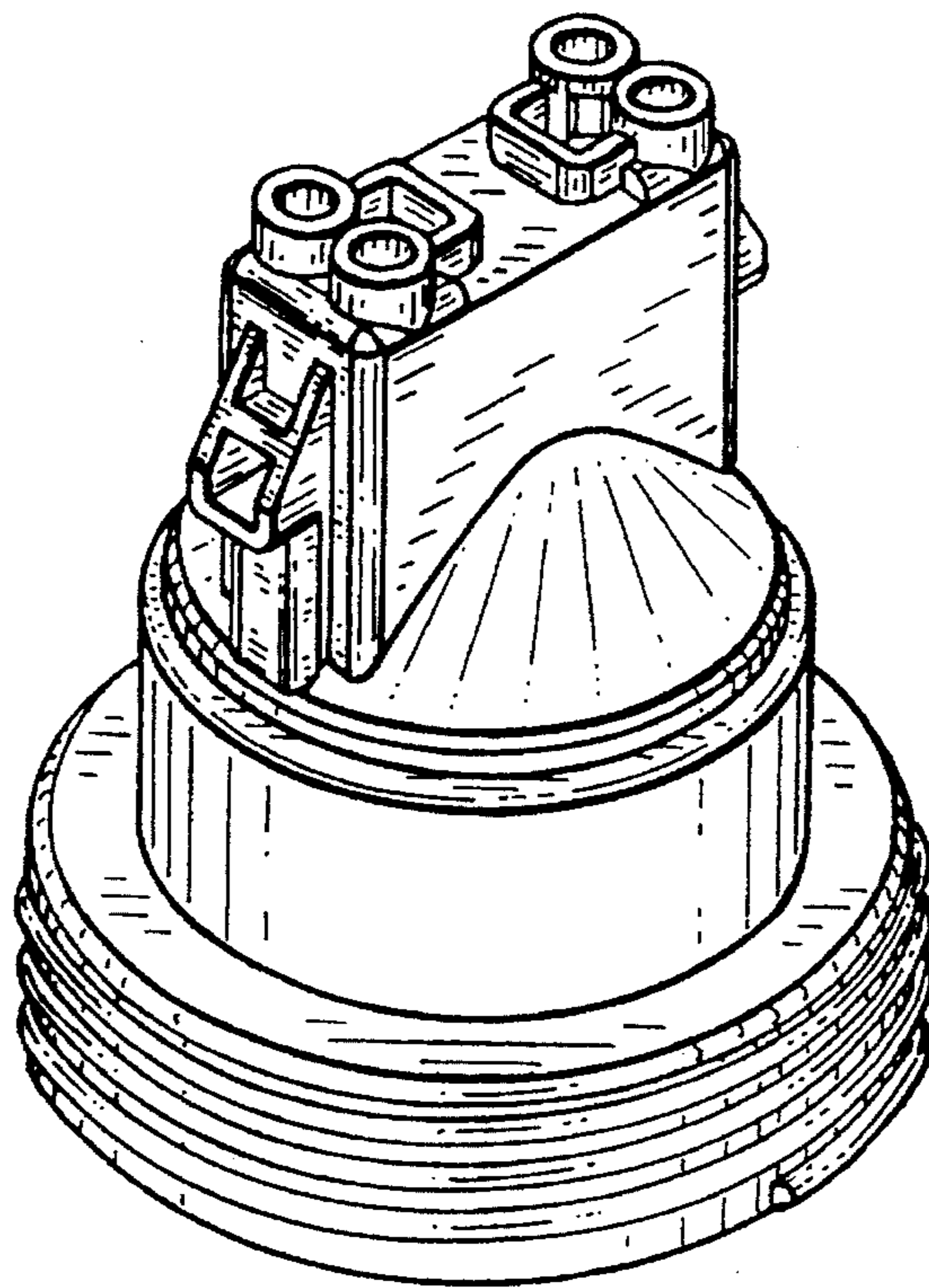


FIG. 1

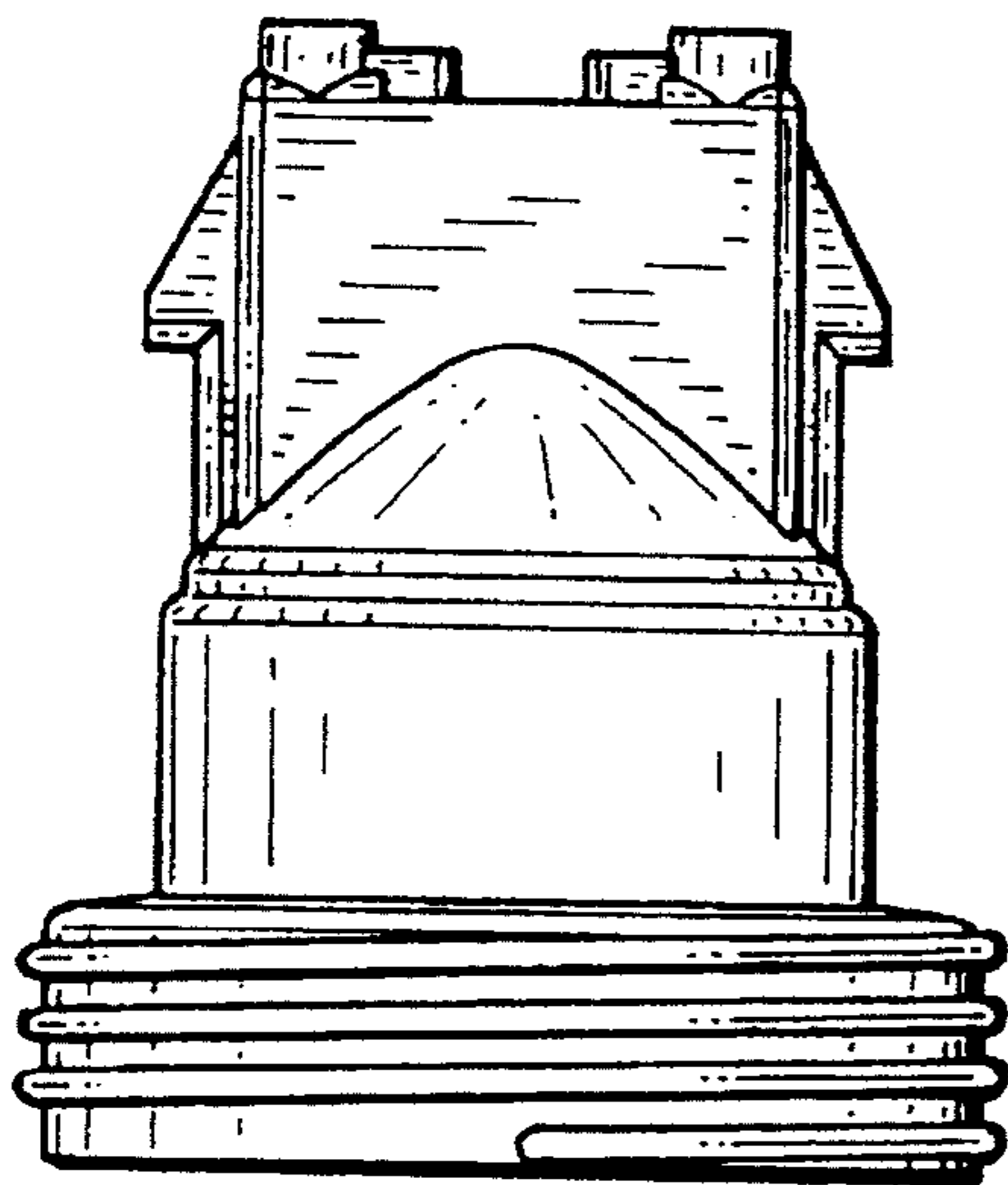


FIG. 2

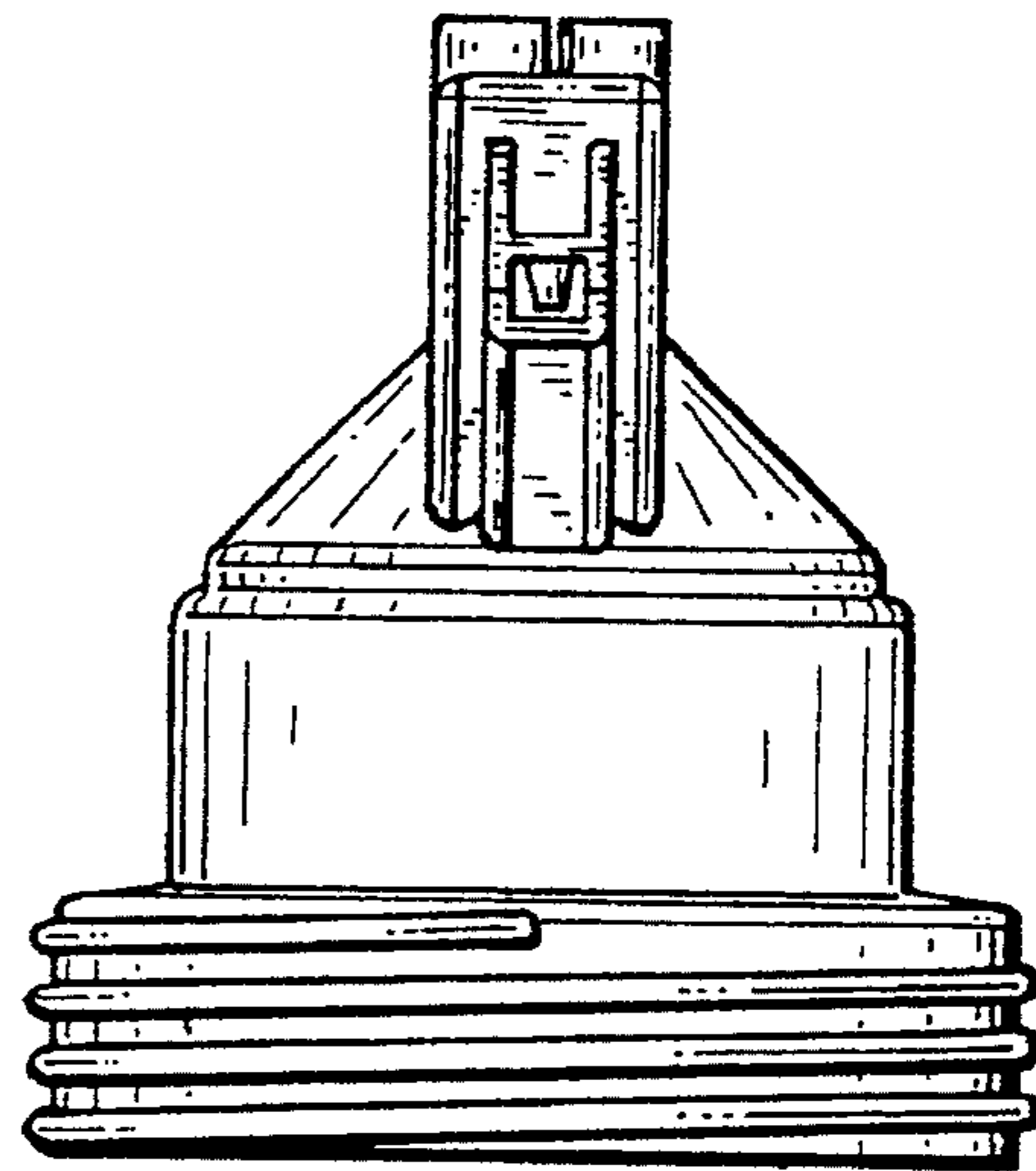


FIG. 3

FIG. 4

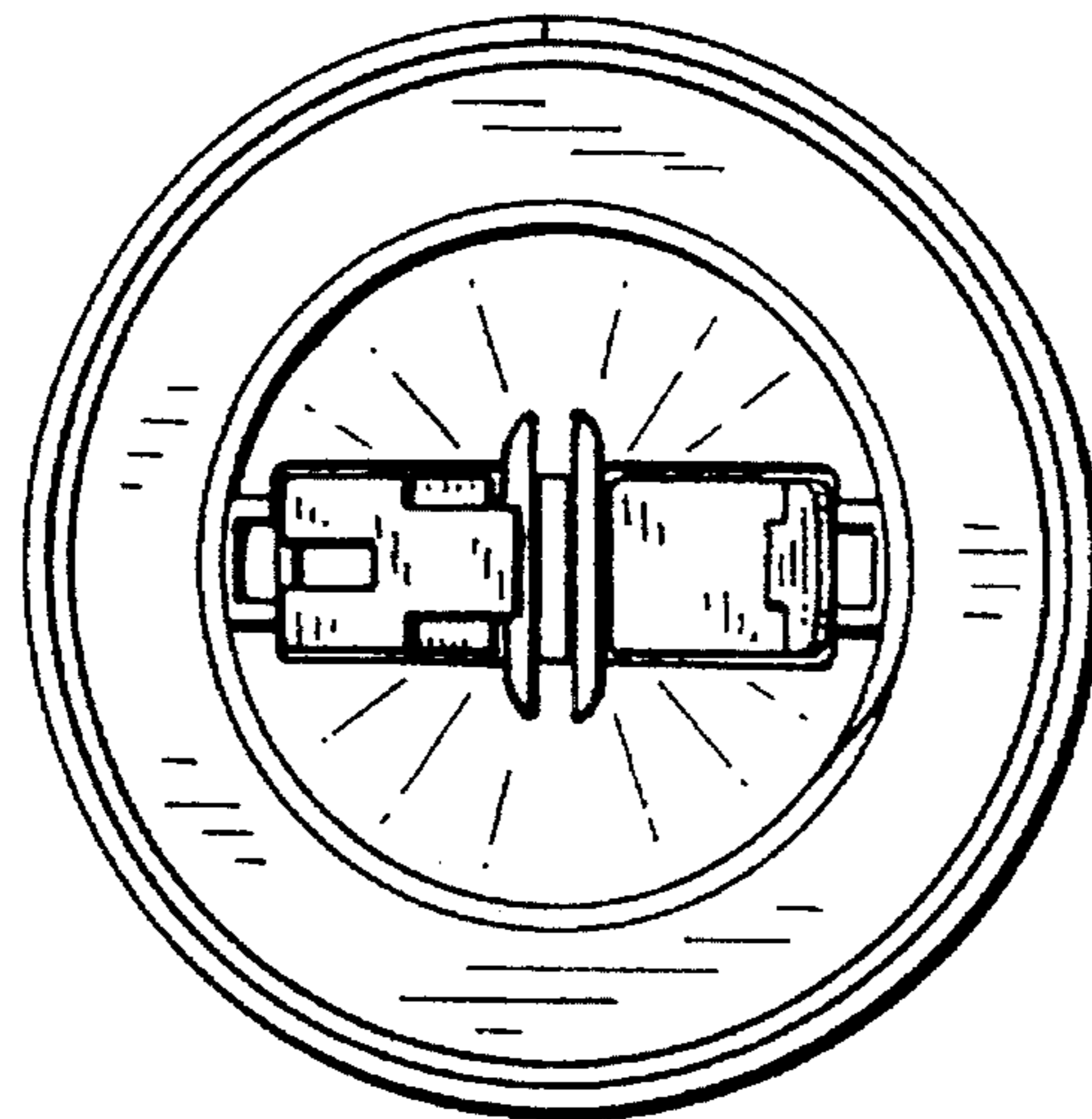
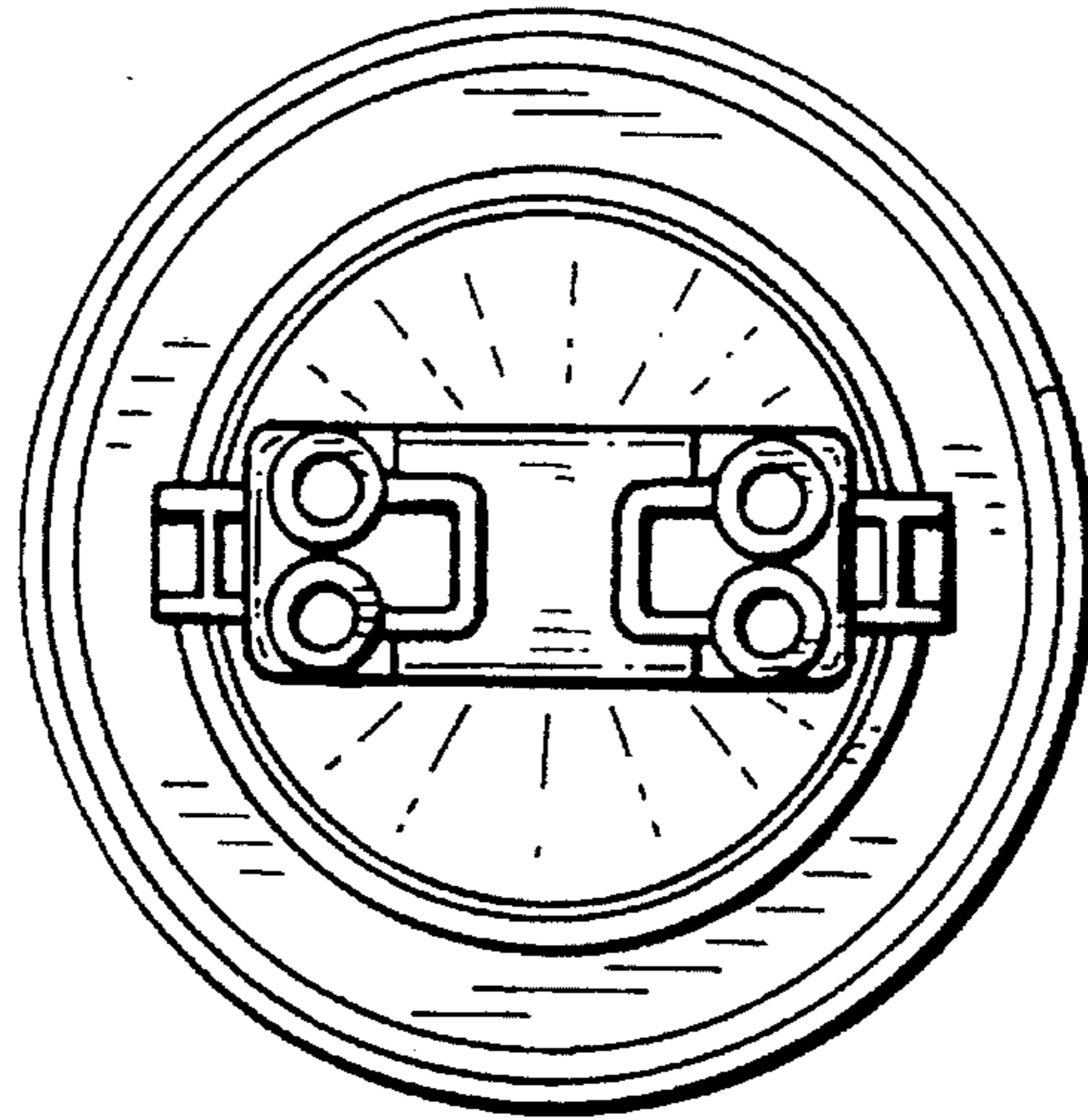


FIG. 5

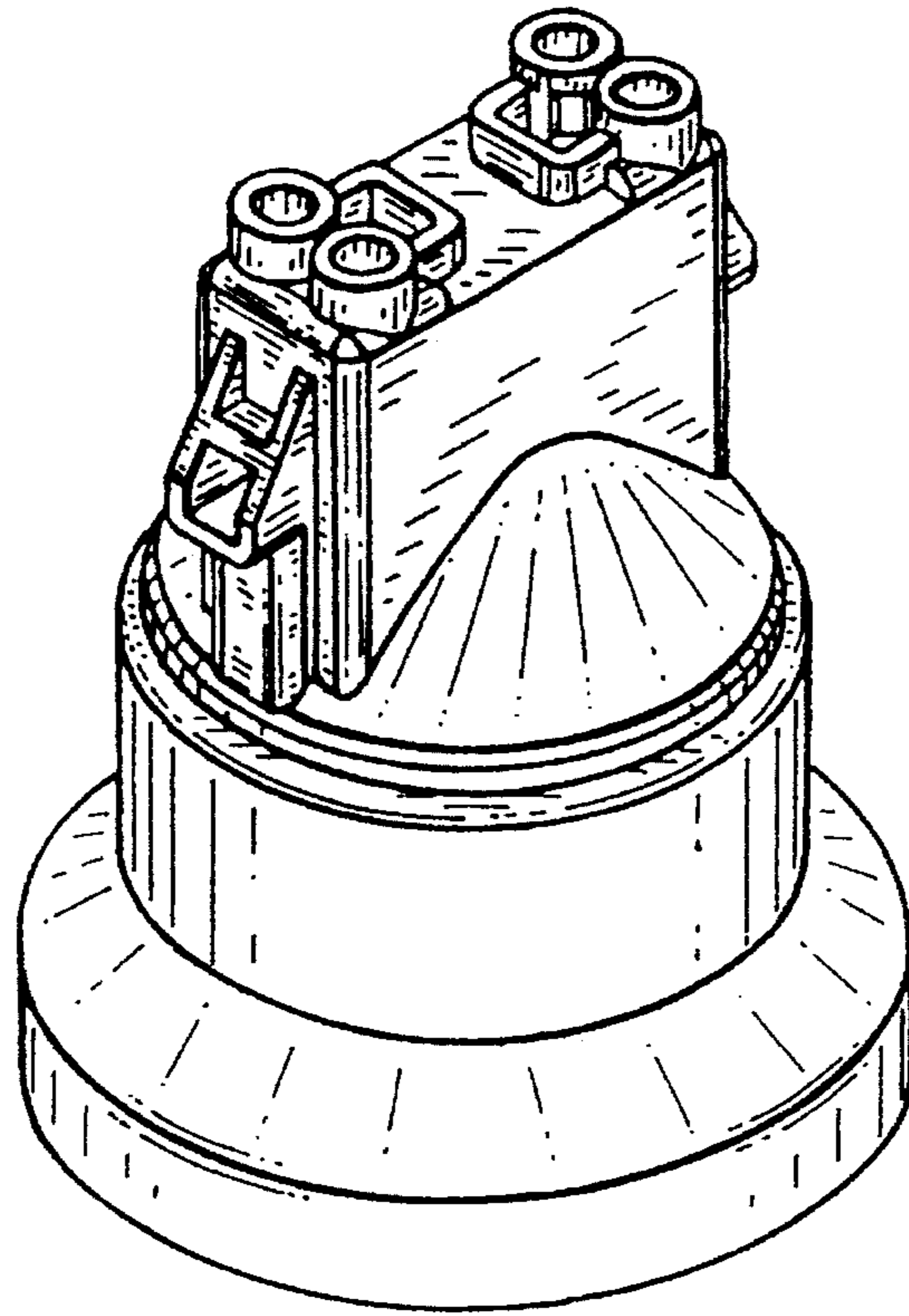


FIG. 6

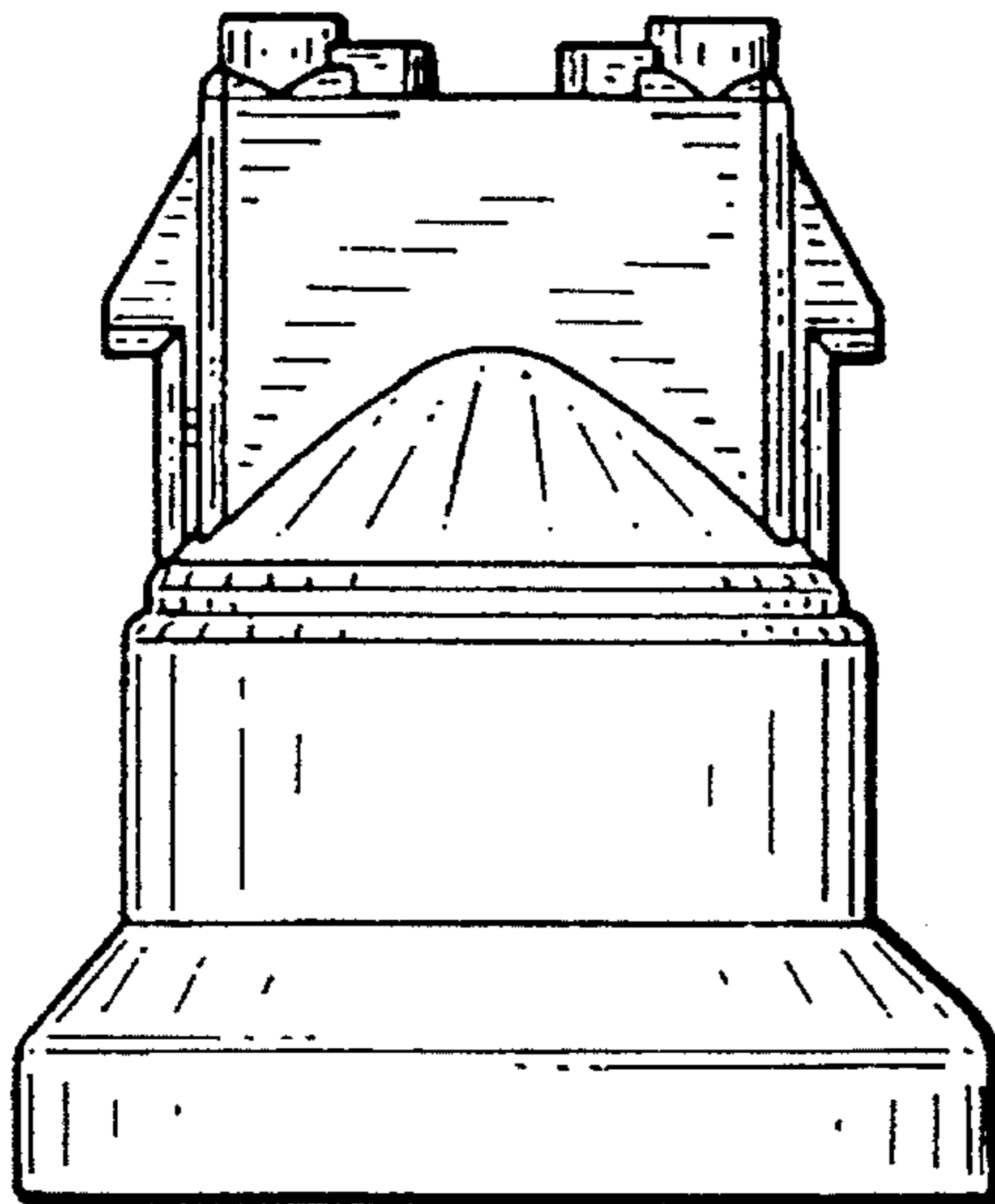


FIG. 7

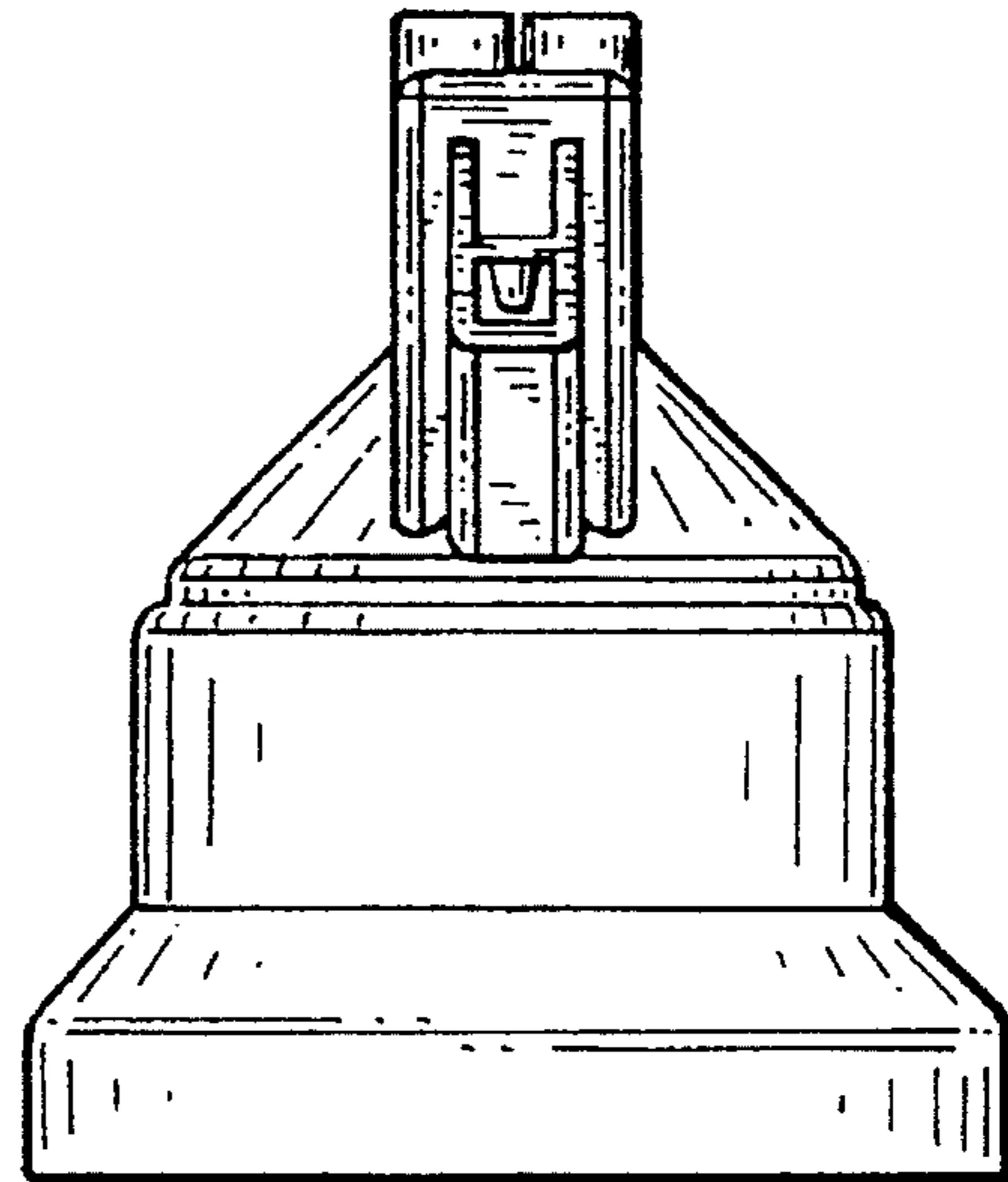


FIG. 8

FIG. 9

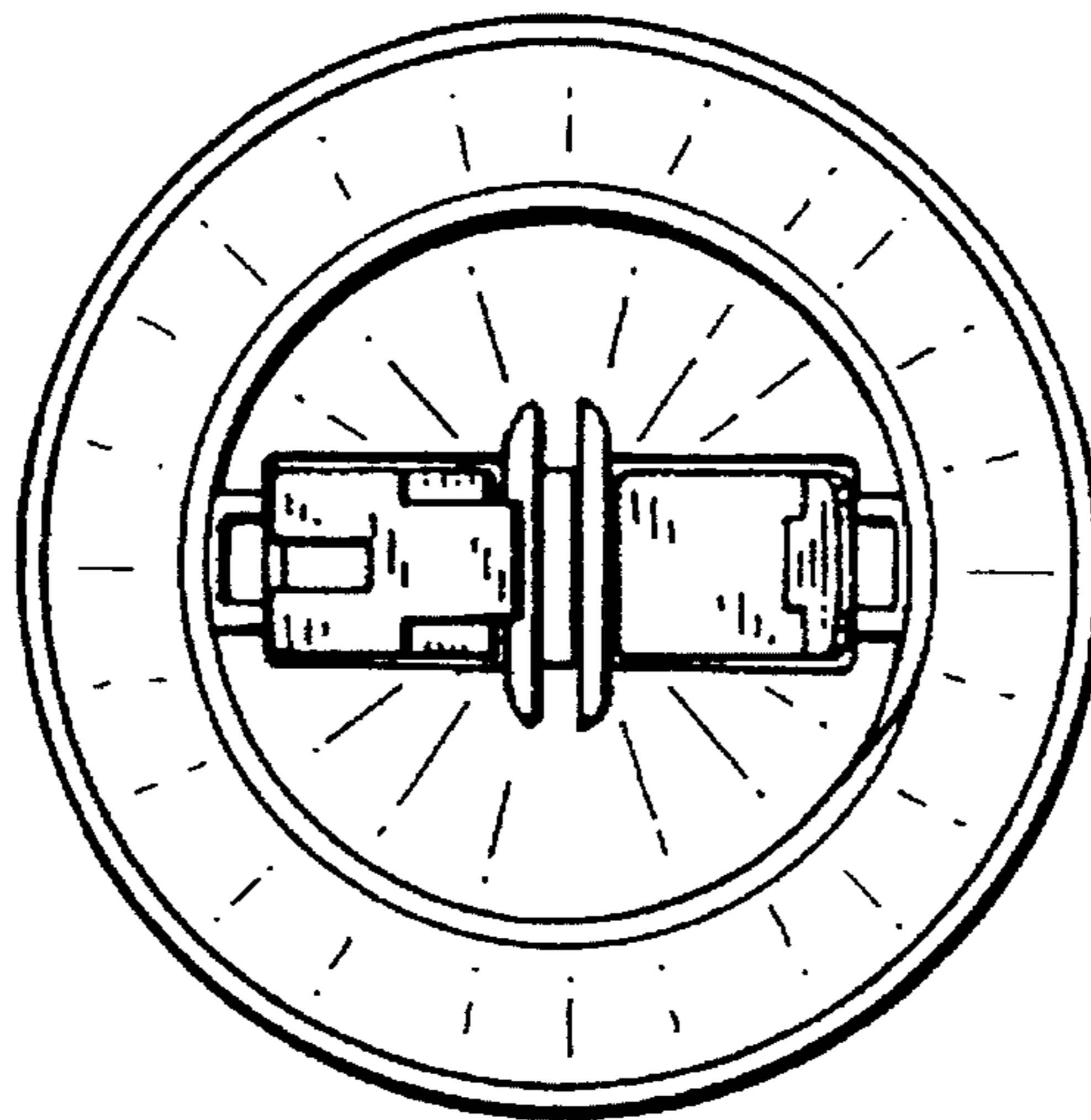
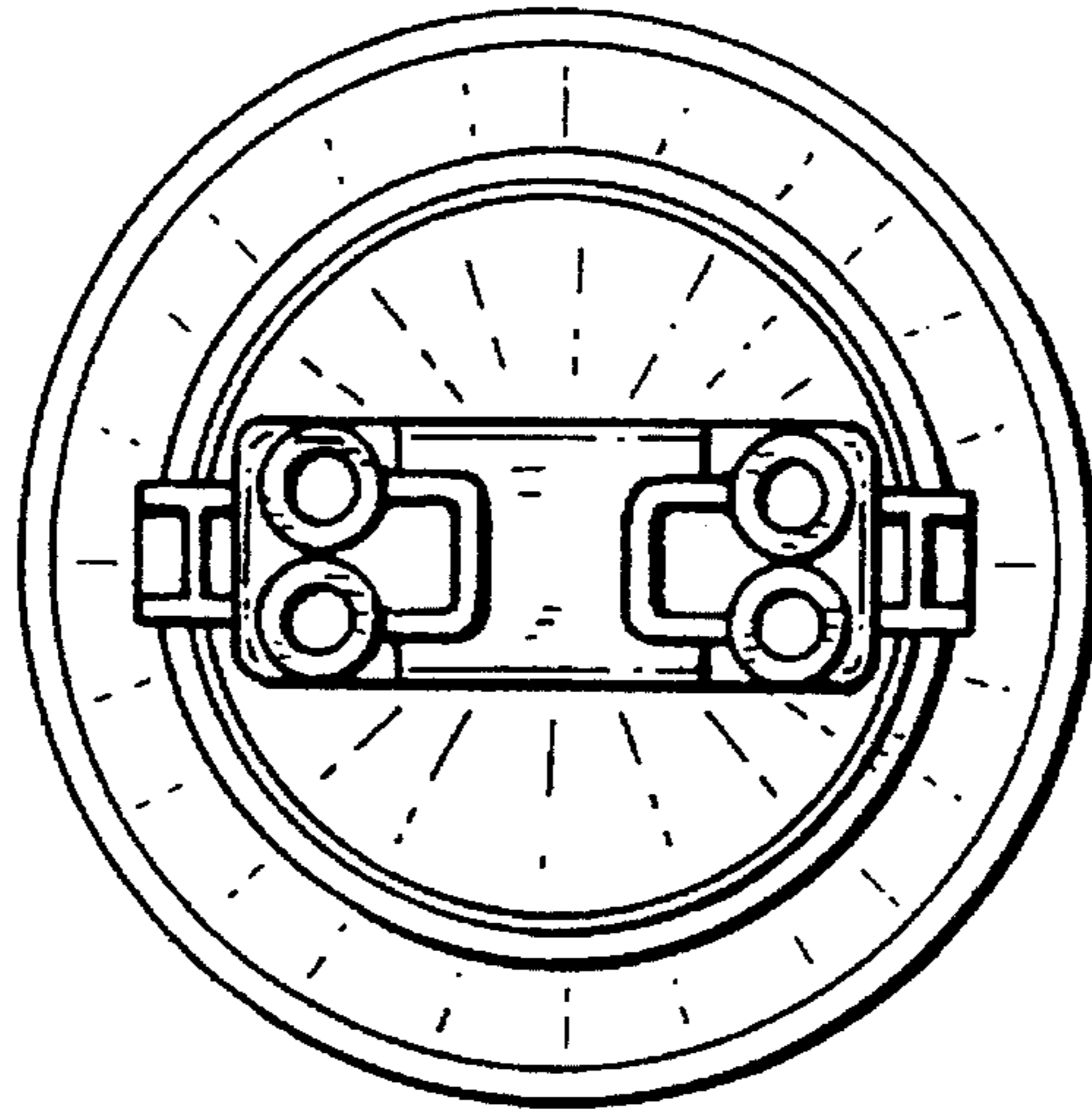


FIG. 10