



US00D363357S

**United States Patent** [19]  
**Franson**

[11] **Patent Number:** **Des. 363,357**  
[45] **Date of Patent:** **\*\*Oct. 17, 1995**

[54] **WINDOW COMPONENT EXTRUSION**

4,949,506 8/1990 Durham, Jr. .... 49/DIG. 2

[75] Inventor: **Jeffrey R. Franson**, Kent, Wash.

*Primary Examiner*—Doris Clark  
*Attorney, Agent, or Firm*—Seed and Berry

[73] Assignee: **Mikron Industries**, Kent, Wash.

[\*\*] Term: **14 Years**

[57] **CLAIM**

[21] Appl. No.: **21,773**

The ornamental design for a window component extrusion, as shown and described.

[22] Filed: **Apr. 25, 1994**

[52] U.S. Cl. .... **D25/124**

**DESCRIPTION**

[58] **Field of Search** ..... D25/60, 52, 124,  
D25/125; 49/DIG. 2, 504-505; 52/204.5,  
204.56, 204.51, 730.3, 205.1

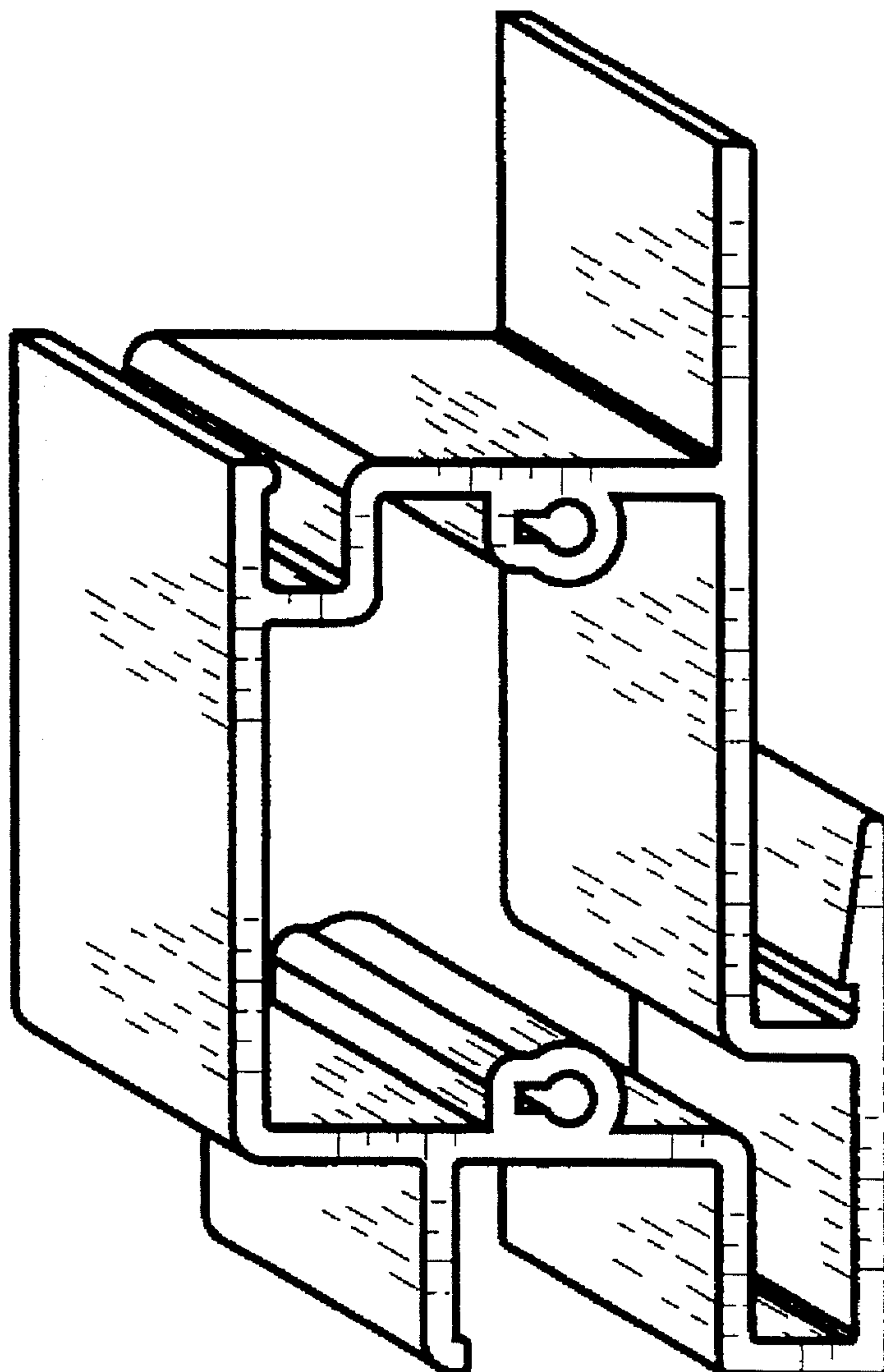
FIG. 1 is a top right perspective view of a window component extrusion showing my new design, the window component extrusion being of indefinite length; and, FIG. 2 is a bottom left perspective view thereof.

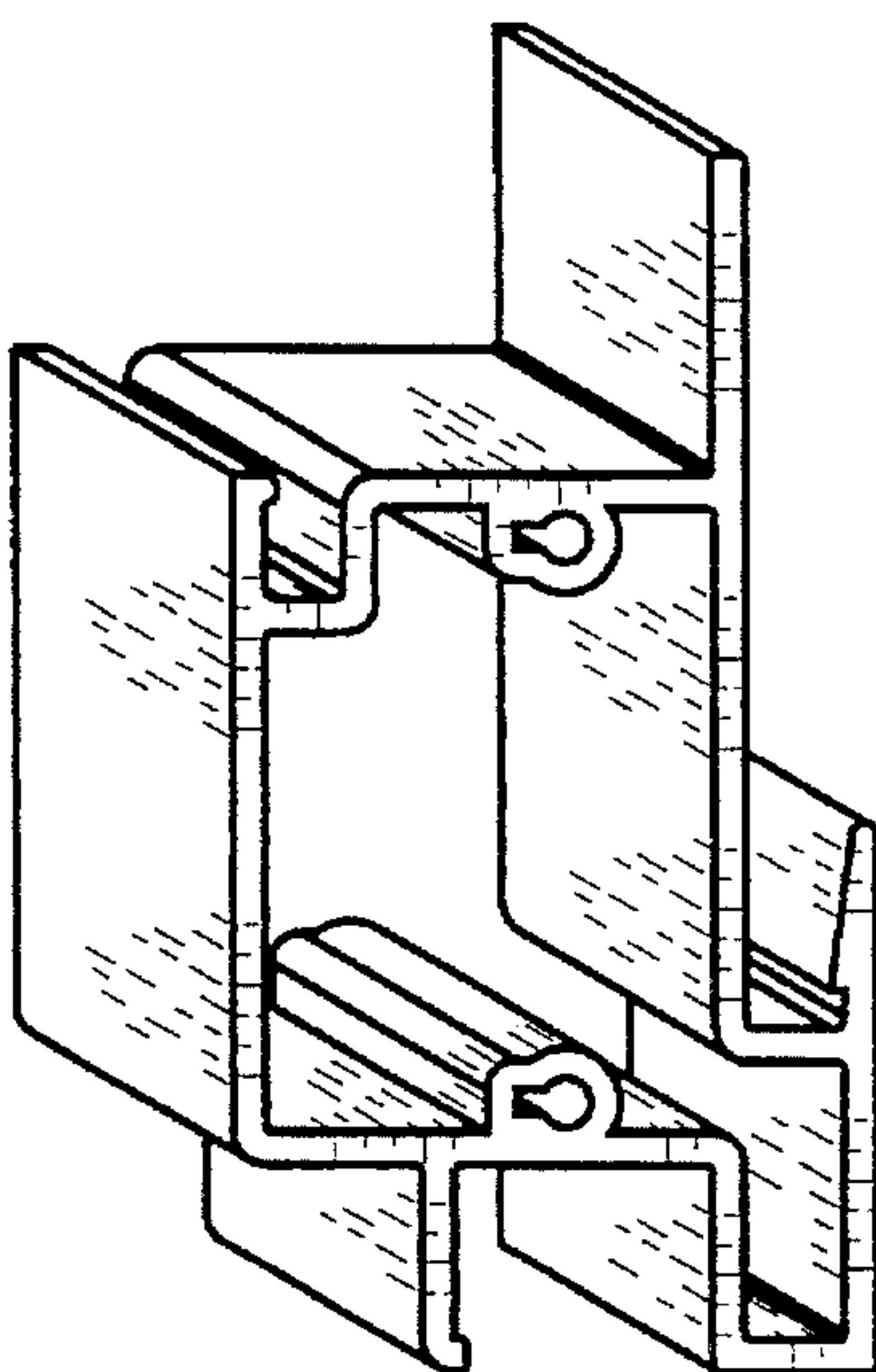
[56] **References Cited**

**U.S. PATENT DOCUMENTS**

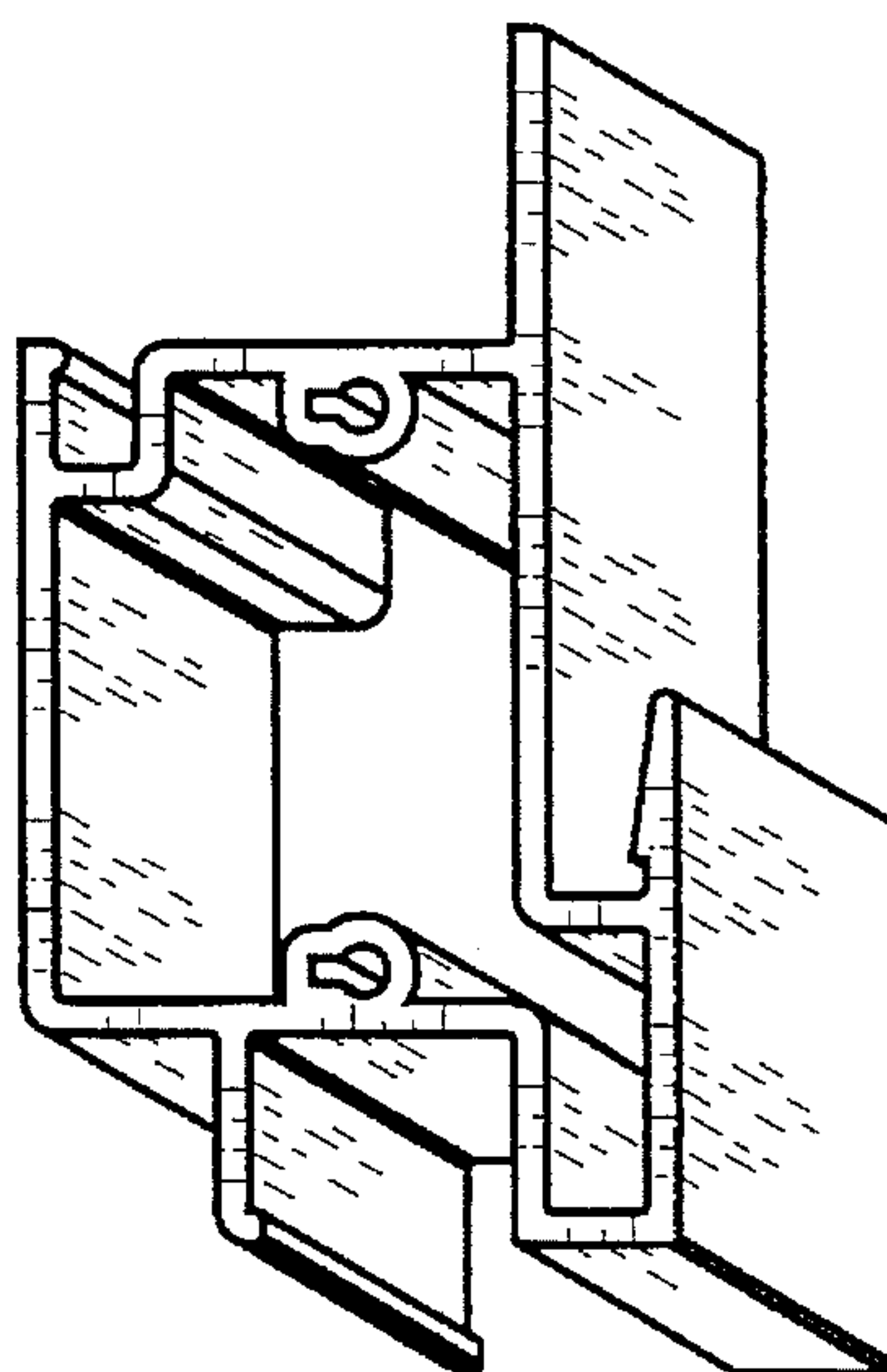
D. 338,722 8/1993 Cole ..... D25/124

**1 Claim, 1 Drawing Sheet**





*FIG. 1*



*FIG. 2*