



US00D363355S

United States Patent [19]
Cole

[11] **Patent Number: Des. 363,355**
[45] **Date of Patent: *** Oct. 17, 1995**

[54] **WINDOW COMPONENT EXTRUSION**

[75] Inventor: **Douglas L. Cole**, Seattle, Wash.

[73] Assignee: **Mikron Industries**, Kent, Wash.

[*] Notice: The portion of the term of this patent subsequent to Jan. 18, 2008 has been disclaimed.

[**] Term: **14 Years**

[21] Appl. No.: **9,871**

[22] Filed: **Jun. 21, 1993**

[52] U.S. Cl. **D25/124**

[58] **Field of Search** D25/124, 60, 120-123, D25/125, 52; 52/204.1, 205.1, 730.3, 204.51, 204.56; 49/501, 504, 505, DIG. 2

[56] **References Cited**

U.S. PATENT DOCUMENTS

D. 307,803 5/1990 Westphal et al. D25/124

D. 307,804 5/1990 Westphal et al. D15/124
D. 308,106 5/1990 Hardy D25/124
D. 343,464 1/1994 Cole D25/124
5,003,797 4/1991 Morton 52/656

Primary Examiner—Doris Clark
Attorney, Agent, or Firm—Seed and Berry

[57] **CLAIM**

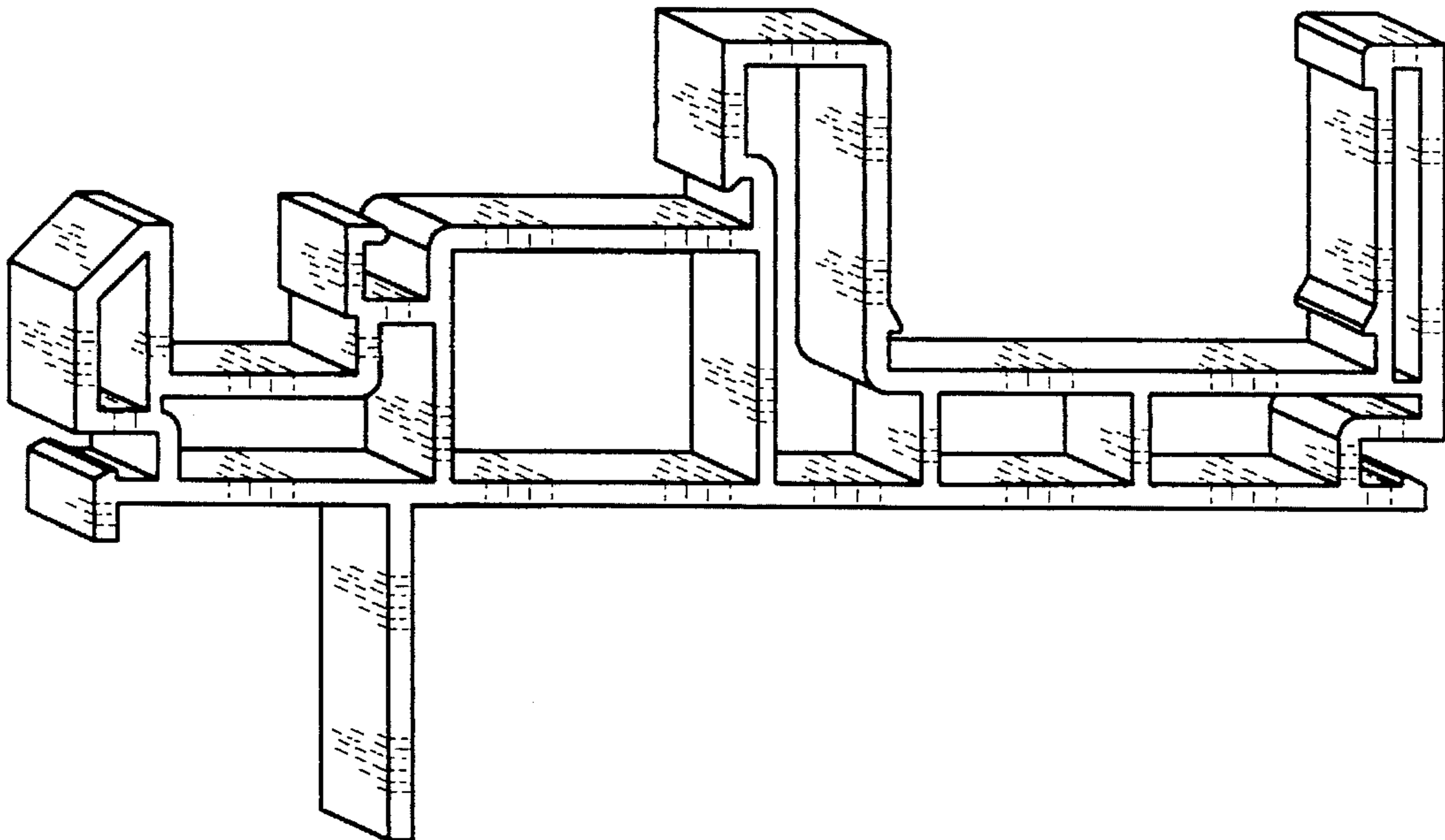
The ornamental design for a window component extrusion, as shown and described.

DESCRIPTION

FIG. 1 is a top right perspective view of a window component extrusion showing my new design, the window component extrusion being of indefinite length; and,

FIG. 2 is a bottom left perspective view thereof.

1 Claim, 1 Drawing Sheet



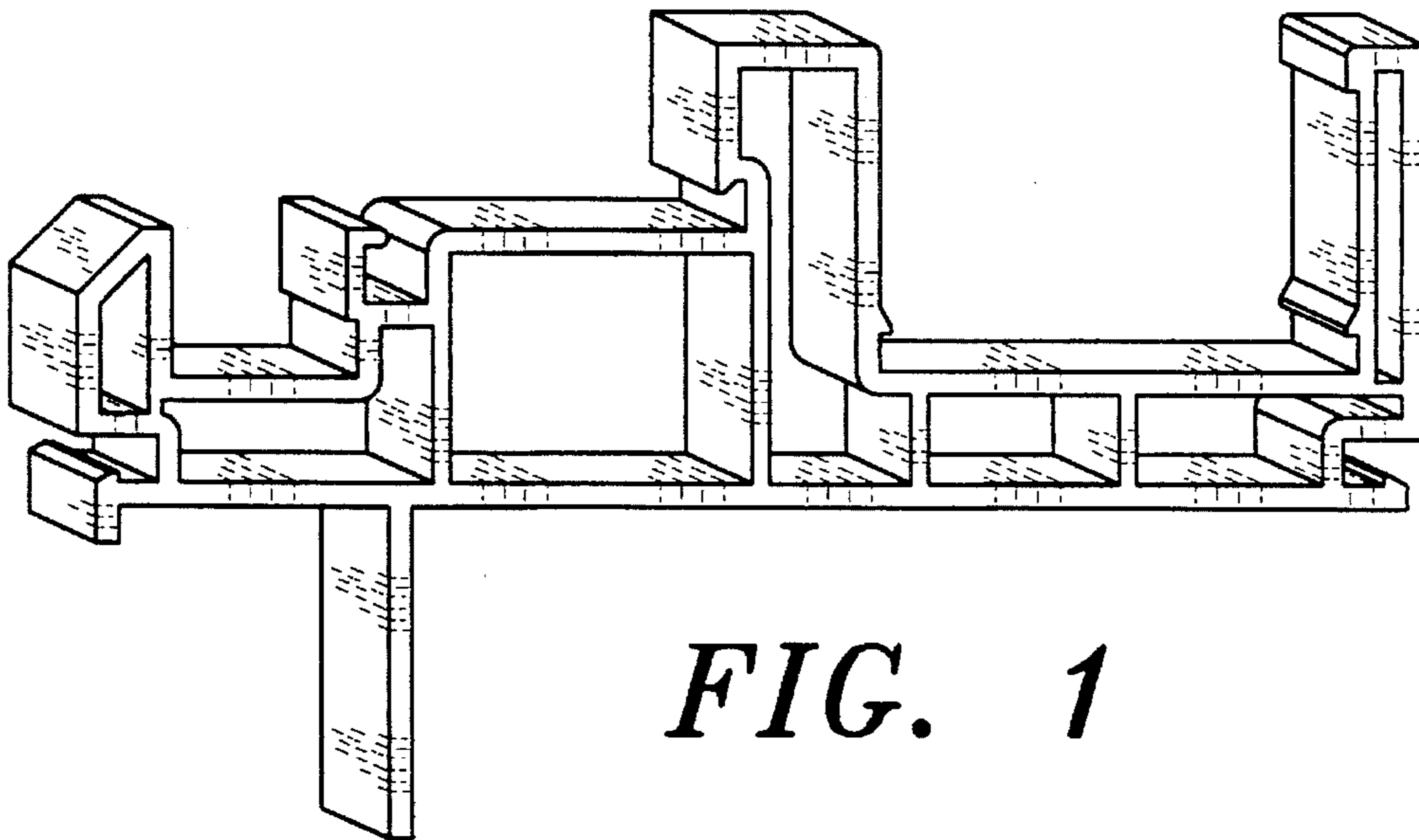


FIG. 1

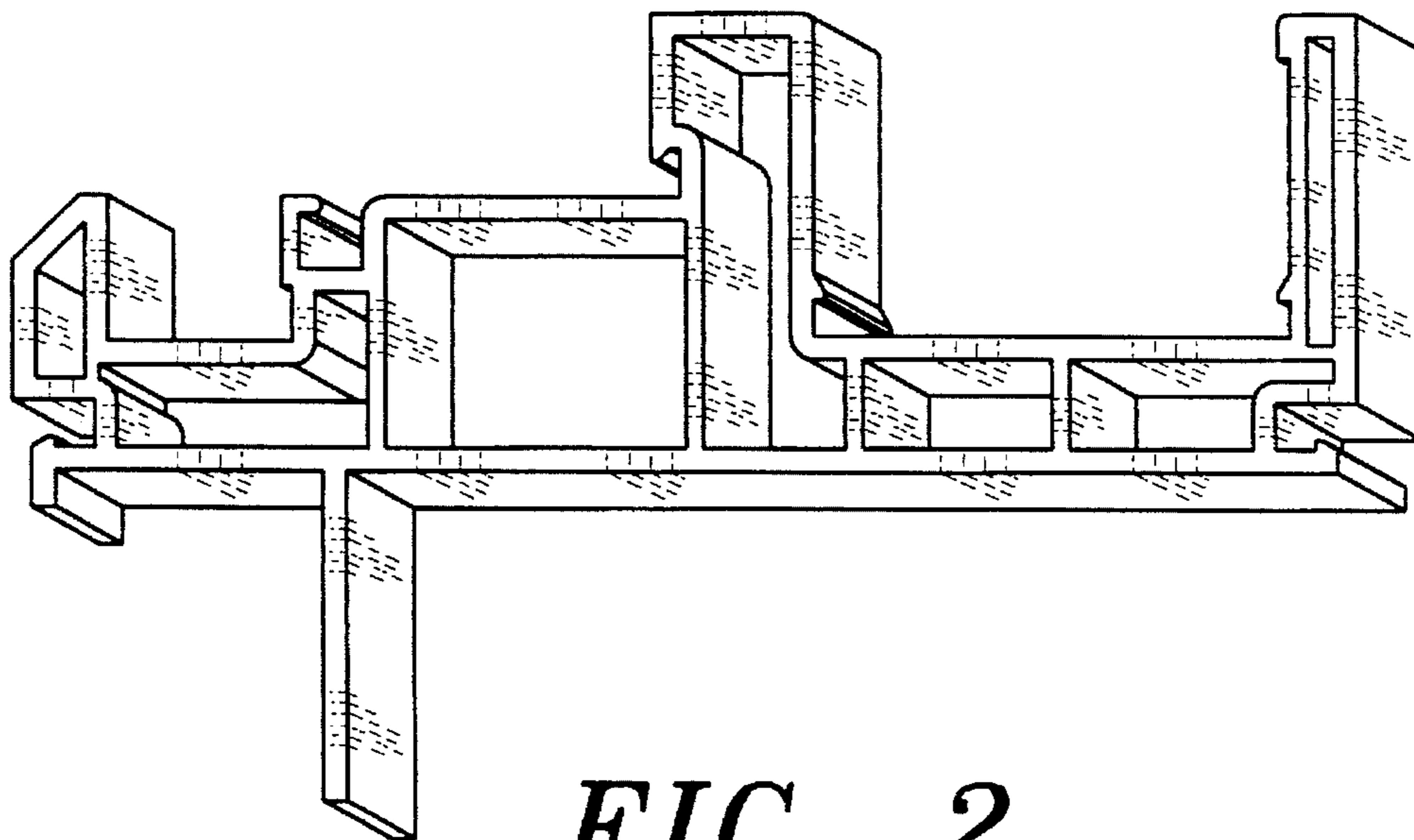


FIG. 2