



US00D363353S

United States Patent [19]

Vellrath et al.

[11] Patent Number: **Des. 363,353**

[45] Date of Patent: ****Oct. 17, 1995**

[54] **AXIAL SPIN CENTRIFUGE**

[75] Inventors: **Andrew Vellrath**, New Castle; **Ian C. McDermott**, Newark; **David A. Szasz**, Wilmington, all of Del.; **Wayne C. Seeley**, York, Pa.

[73] Assignee: **Du Pont Canada Inc.**, Ontario, Canada

[**] Term: **14 Years**

[21] Appl. No.: **21,983**

[22] Filed: **Apr. 26, 1994**

[30] **Foreign Application Priority Data**

Oct. 27, 1993 [CA] Canada 27 10 93 2

[52] U.S. Cl. **D24/219**

[58] Field of Search D24/219; 404/20, 404/21, 26, 16; 494/40, 38, 60; 422/72; D15/147; 210/516

[56] **References Cited**

U.S. PATENT DOCUMENTS

- D. 290,653 6/1987 Eberle D24/219
- D. 303,569 9/1989 Eberle D24/219

- D. 303,570 9/1989 Eberle D24/219
- 4,135,883 1/1979 McNeil et al. 422/72
- 4,284,602 8/1981 Kelton et al. 422/72
- 4,828,716 5/1989 McEwen et al. 210/740
- 5,030,341 7/1991 McEwen et al. 210/94
- 5,249,711 10/1993 Filbert, Jr. 222/189
- 5,271,852 12/1993 Luoma, II 210/789
- 5,282,981 2/1994 Adams et al. 210/789
- 5,389,265 2/1995 Luoma, II 210/745

Primary Examiner—Louis S. Zarfaz
Assistant Examiner—I. Simmons

[57] **CLAIM**

The ornamental design for an axial spin centrifuge, as shown and described.

DESCRIPTION

FIG. 1 is a perspective view of an axial spin centrifuge showing our new design;
FIG. 2 is a top perspective view thereof;
FIG. 3 is a right side elevational view thereof;
FIG. 4 is a left side elevational view thereof;
FIG. 5 is a front perspective view thereof; and,
FIG. 6 is a rear perspective view thereof.

1 Claim, 6 Drawing Sheets

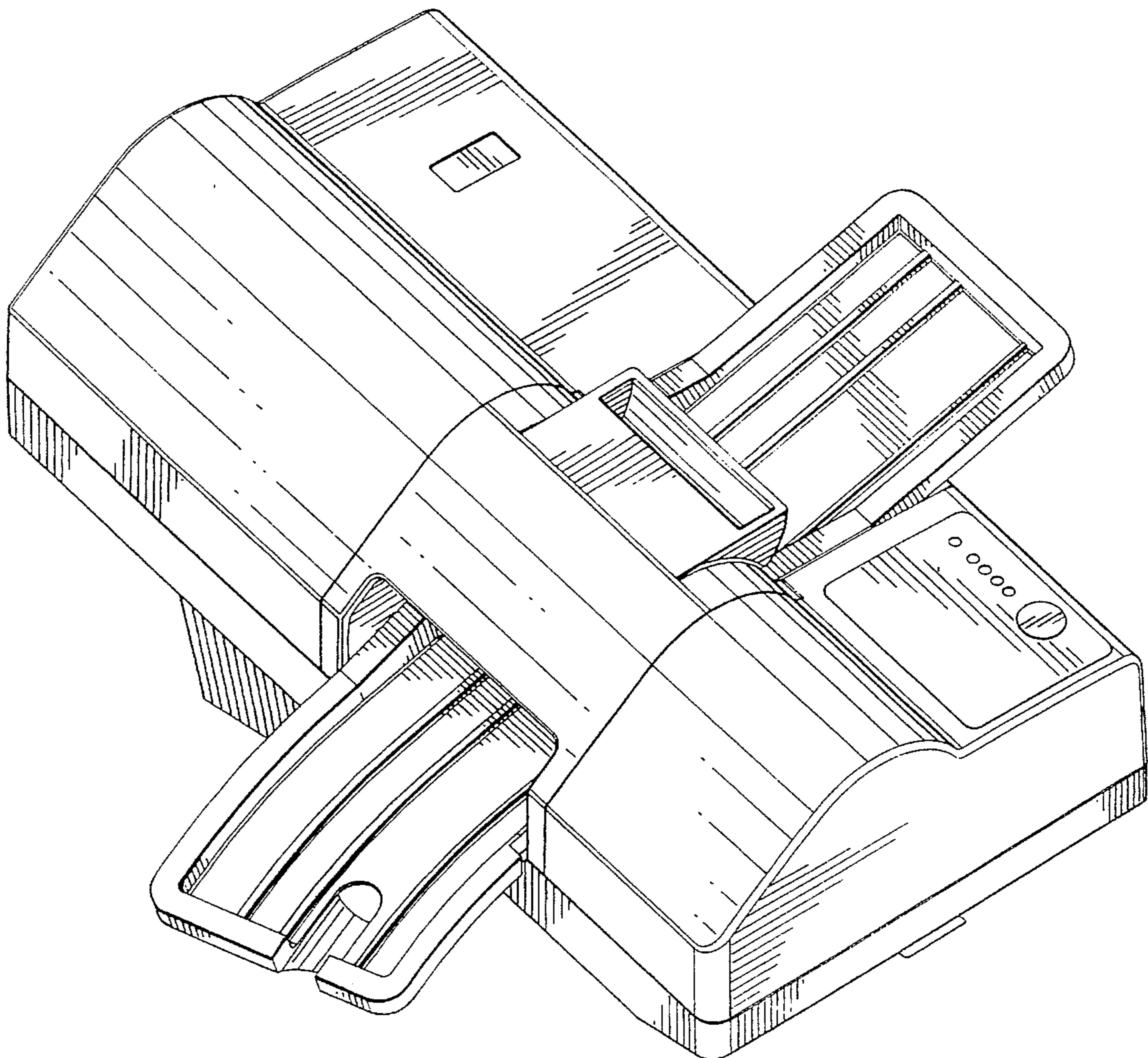


FIG. 1

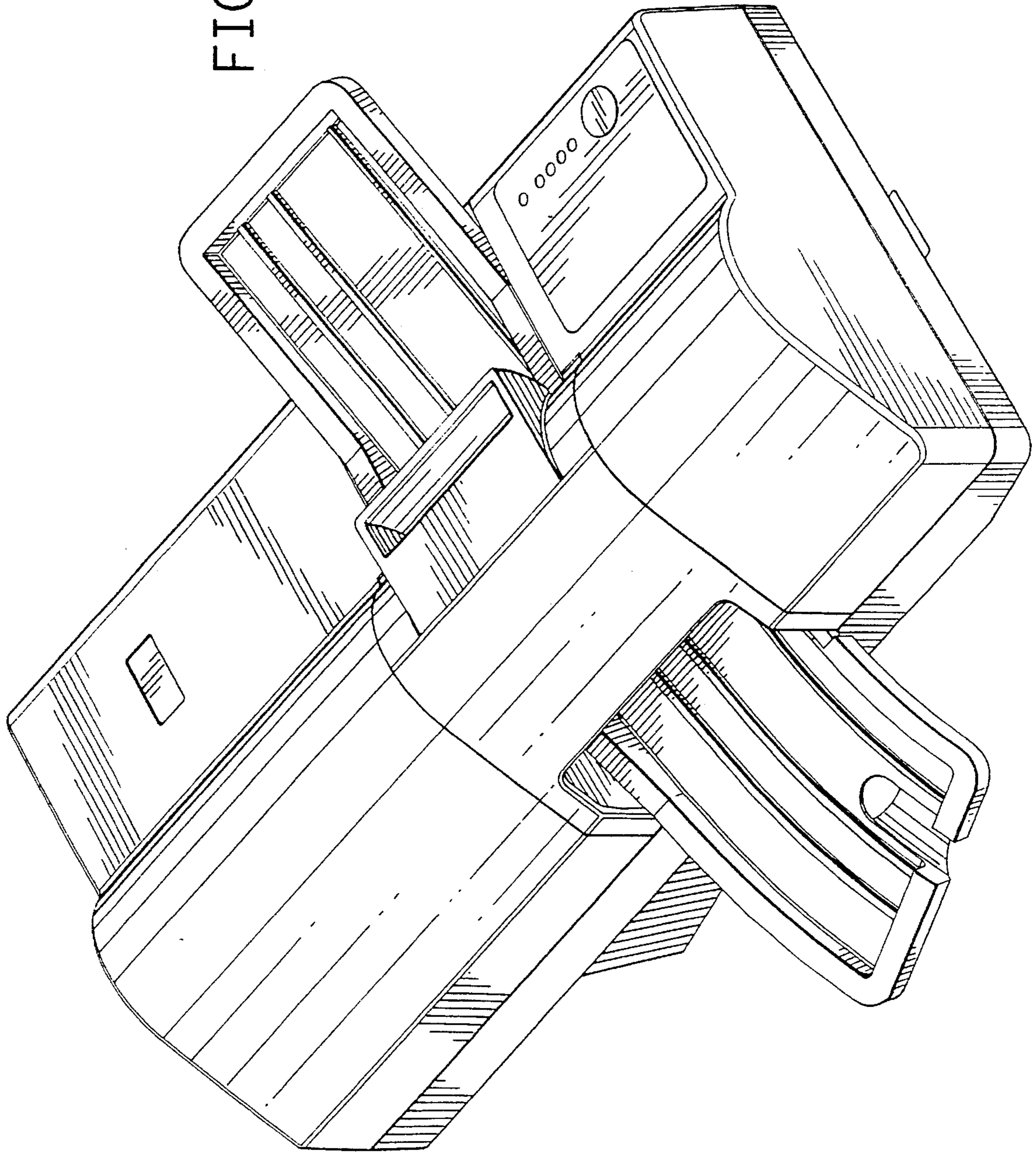
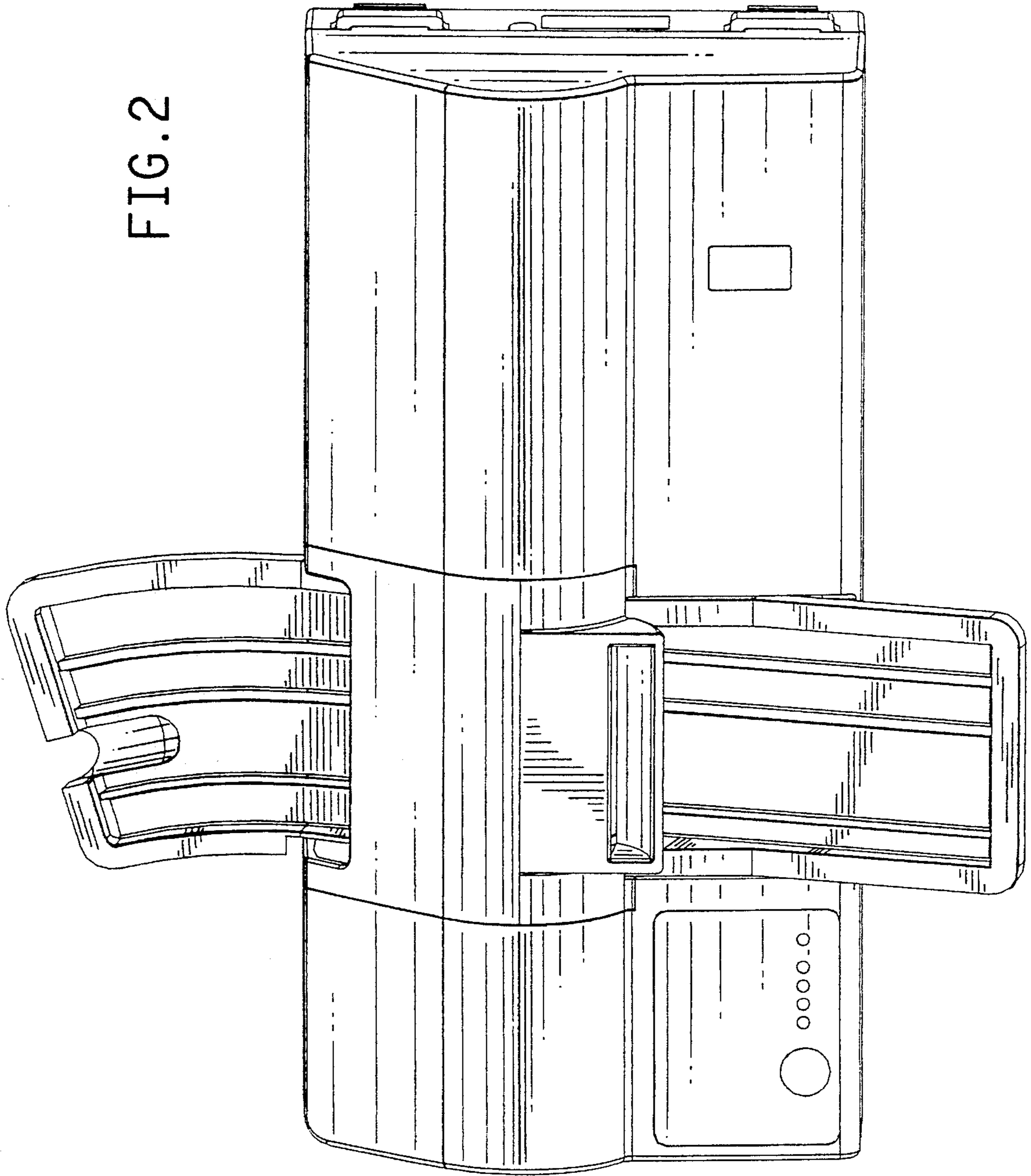


FIG. 2



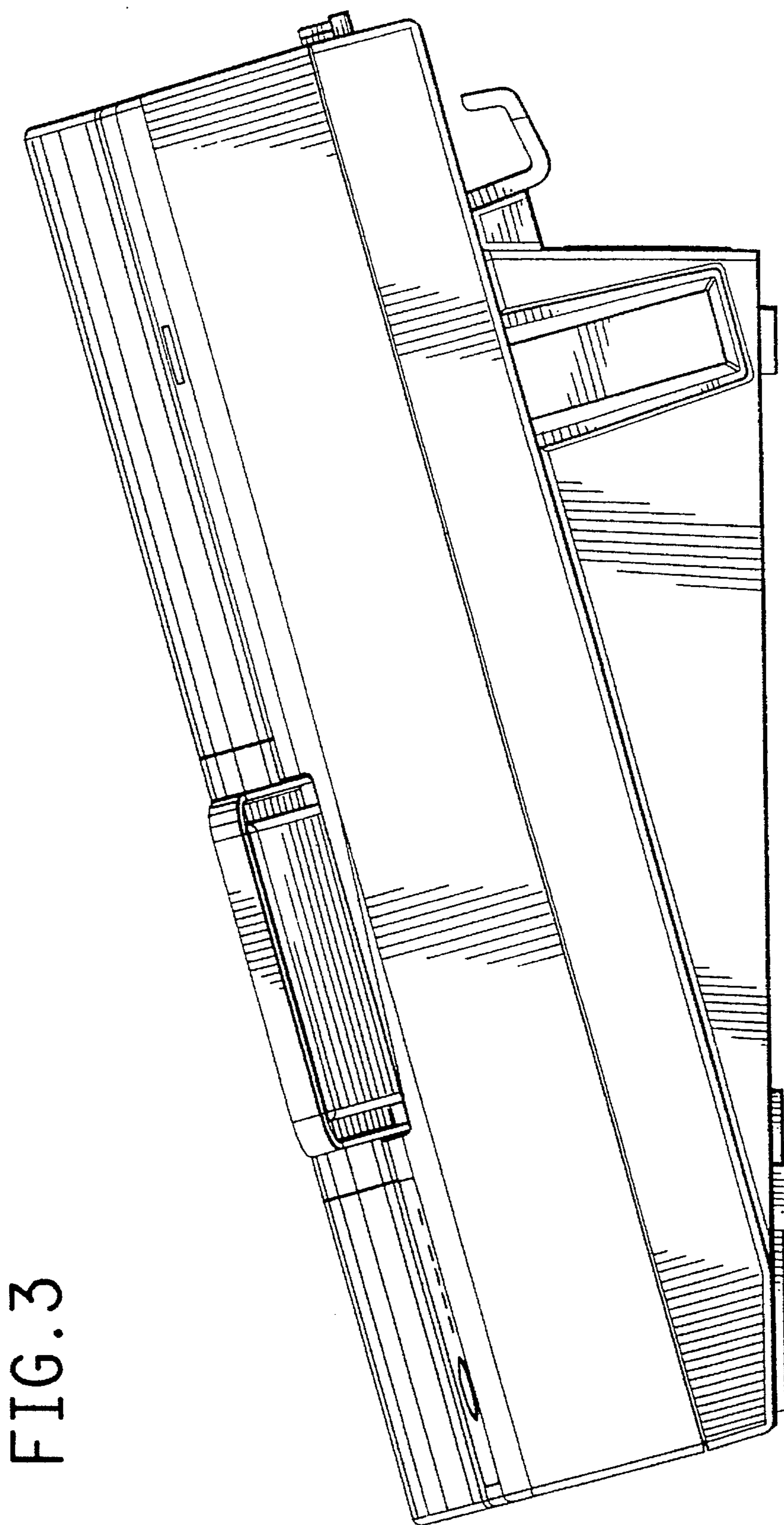
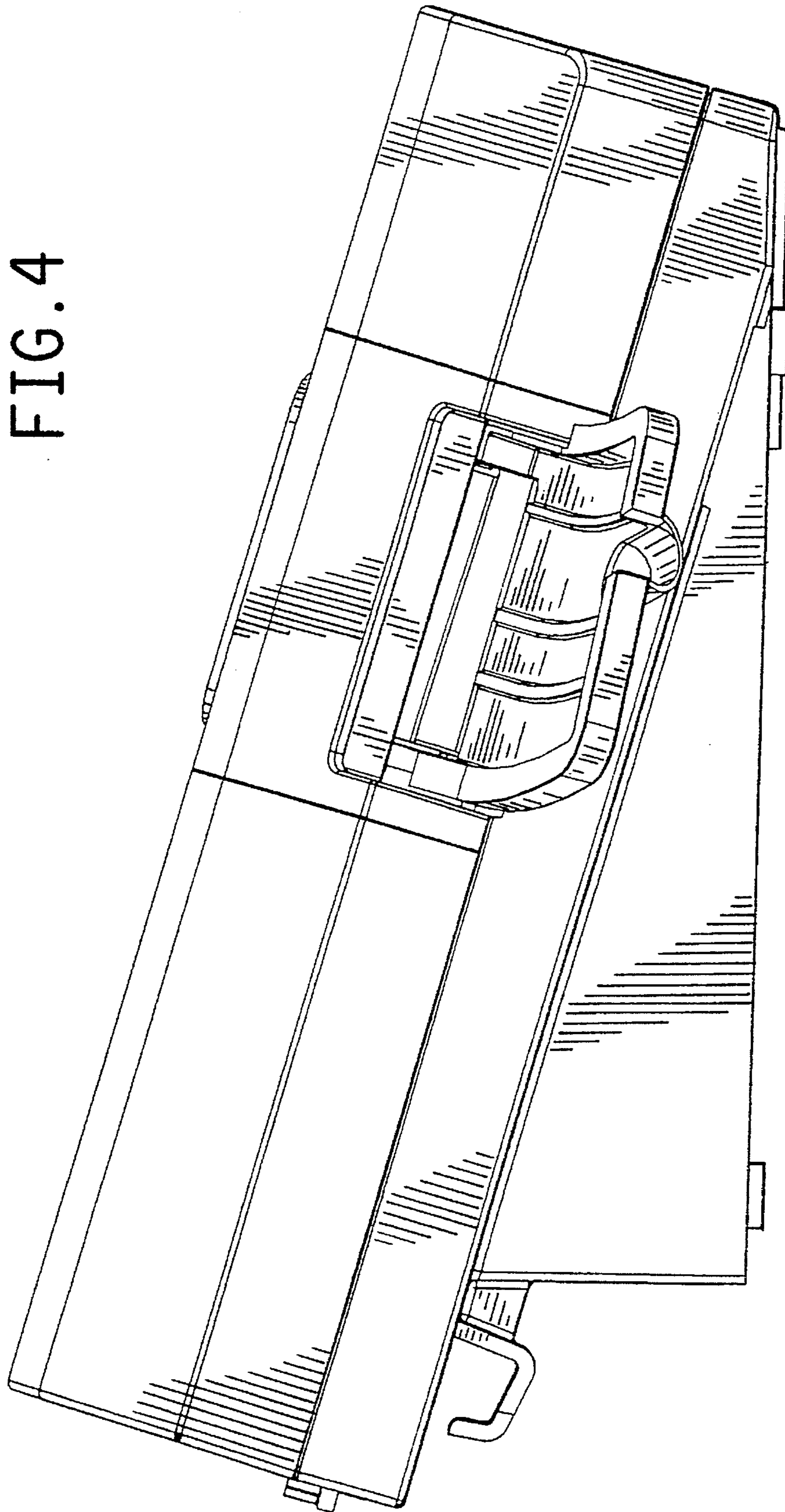


FIG. 3

FIG. 4



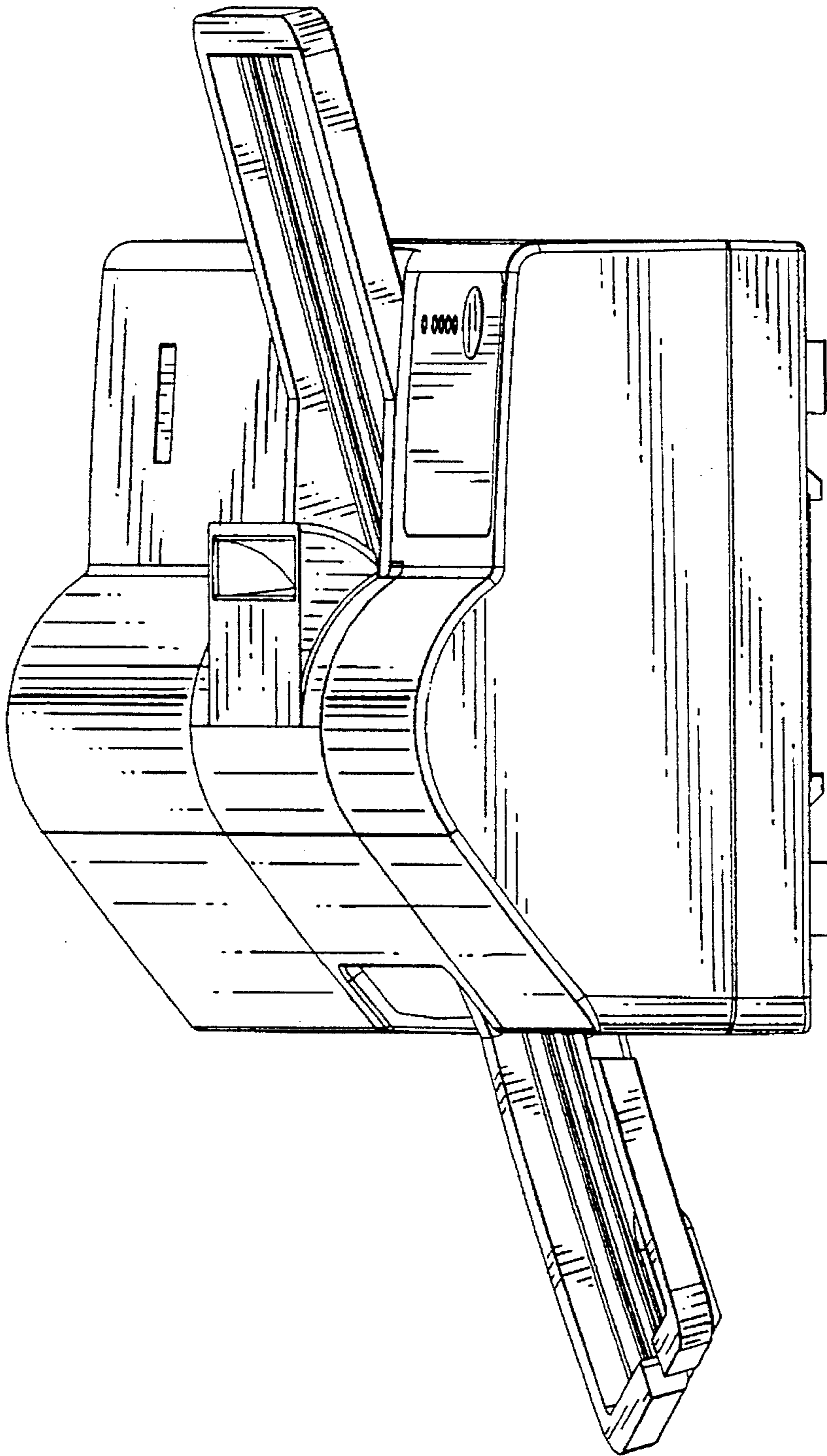


FIG. 5

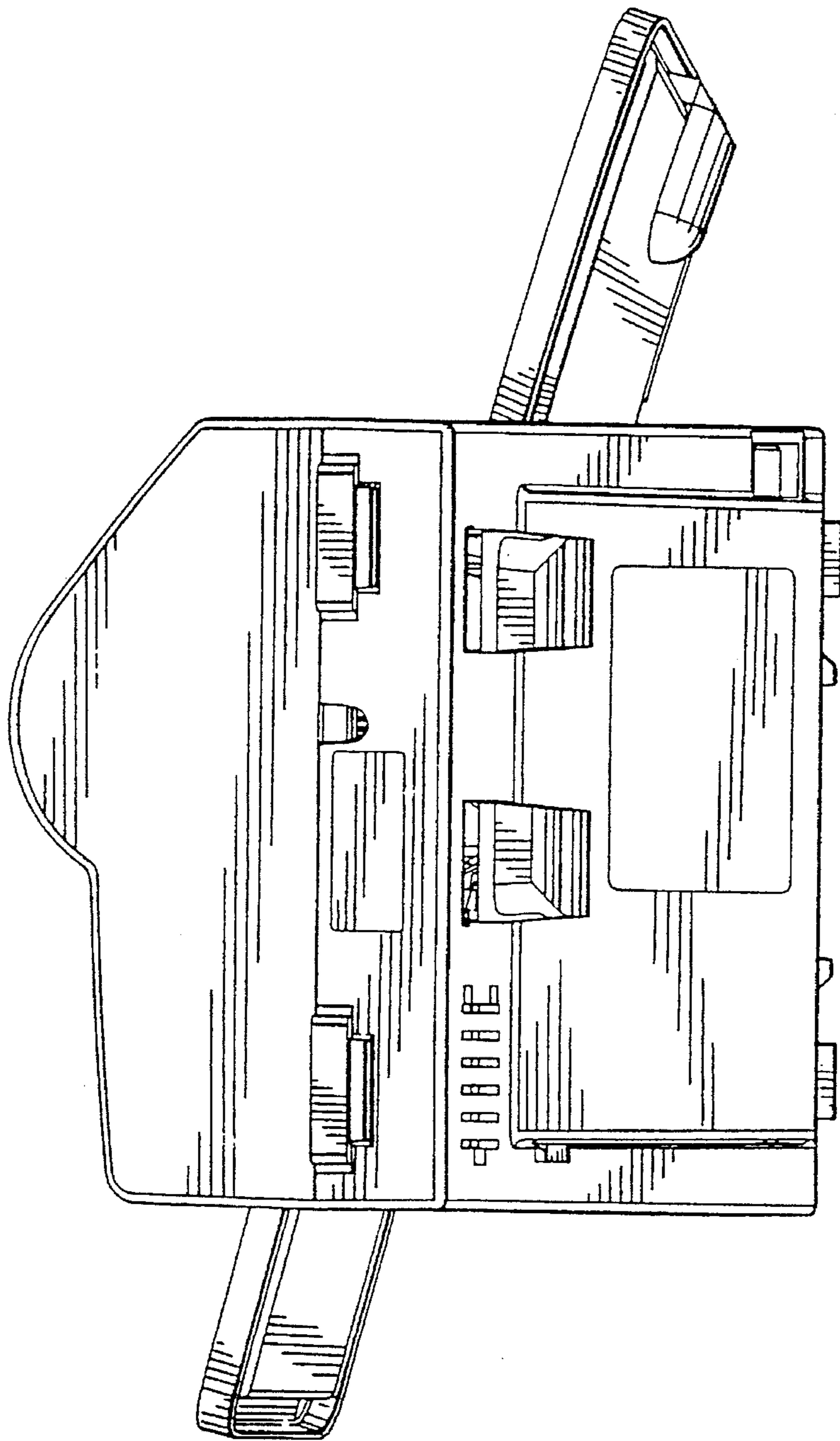


FIG. 6