



US00D363352S

United States Patent [19]

[11] **Patent Number: Des. 363,352**

Huen

[45] **Date of Patent: **Oct. 17, 1995**

[54] **MASSAGER**

3,346,748 10/1967 McNair D24/211 X
4,846,158 7/1989 Teranishi 128/36

[75] Inventor: **Hing W. Huen**, Kowloon, Hong Kong

OTHER PUBLICATIONS

[73] Assignee: **Fairform Mfg. Co., Ltd.**, Kowloon, Hong Kong

"Trade Winds Monthly"; pp. 2-4; Jun. 1988.

[**] Term: **14 Years**

Primary Examiner—Stella Reid
Attorney, Agent, or Firm—Leydig, Voit & Mayer

[21] Appl. No.: **6,082**

[57] CLAIM

[22] Filed: **Jan. 22, 1993**

The ornamental design for a massager, as shown and described.

[30] Foreign Application Priority Data

DESCRIPTION

Jul. 23, 1992 [GB] United Kingdom 2024479

[52] U.S. Cl. **D24/215**

[58] Field of Search D24/200, 211-215;
128/24 R, 44-46, 60, 59, 61, 62 R, 64,
67

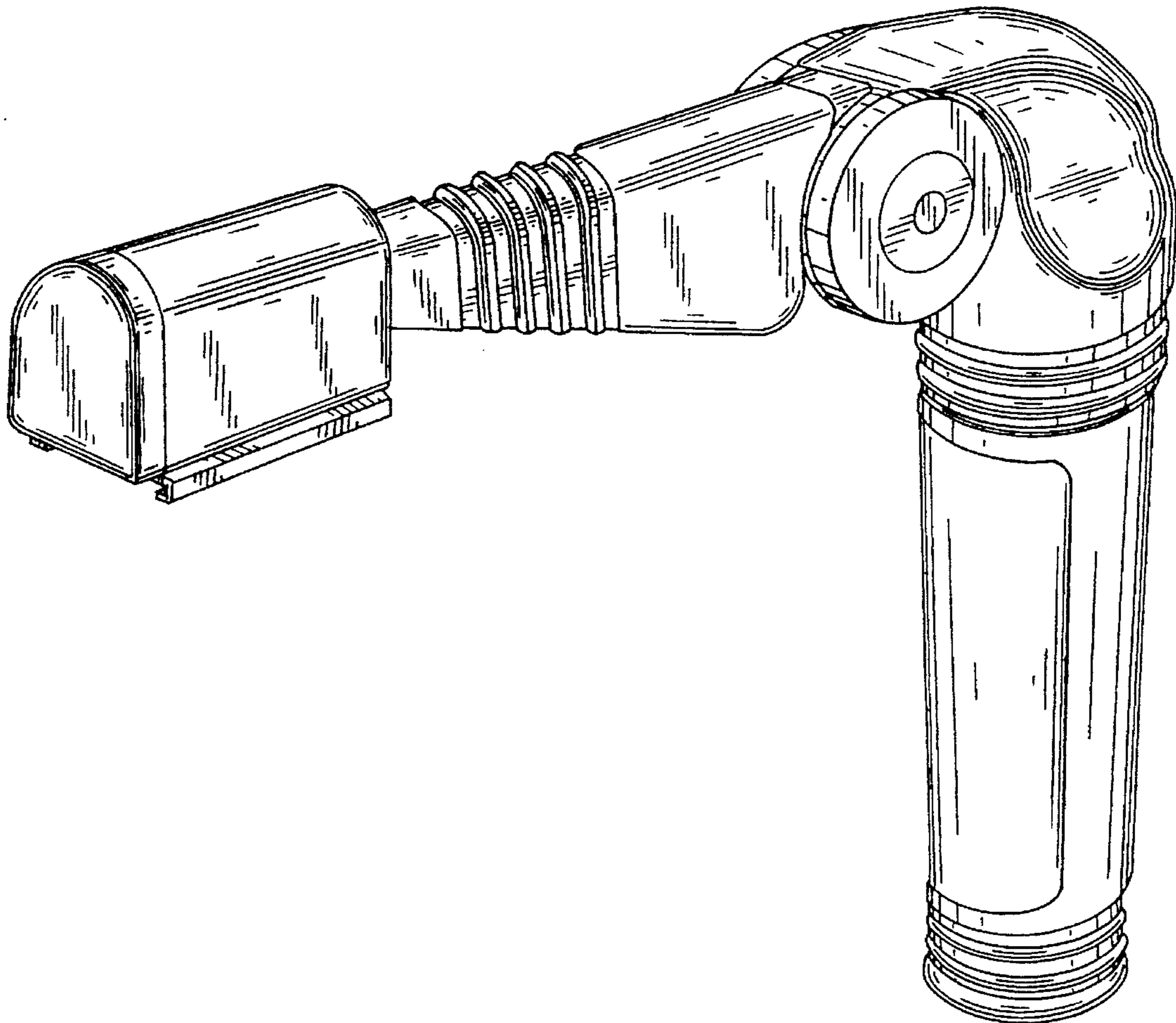
FIG. 1 is a front and right side perspective view of a massager showing my new design;
FIG. 2 is a right side elevational view thereof;
FIG. 3 is a rear elevational view thereof;
FIG. 4 is a bottom plan view thereof;
FIG. 5 is a left side elevational view thereof;
FIG. 6 is a front elevational view thereof; and,
FIG. 7 is a top plan view thereof.

[56] References Cited

U.S. PATENT DOCUMENTS

D. 281,354 11/1985 Nakao et al. D24/211
2,674,995 4/1954 Marino D24/211 X

1 Claim, 3 Drawing Sheets



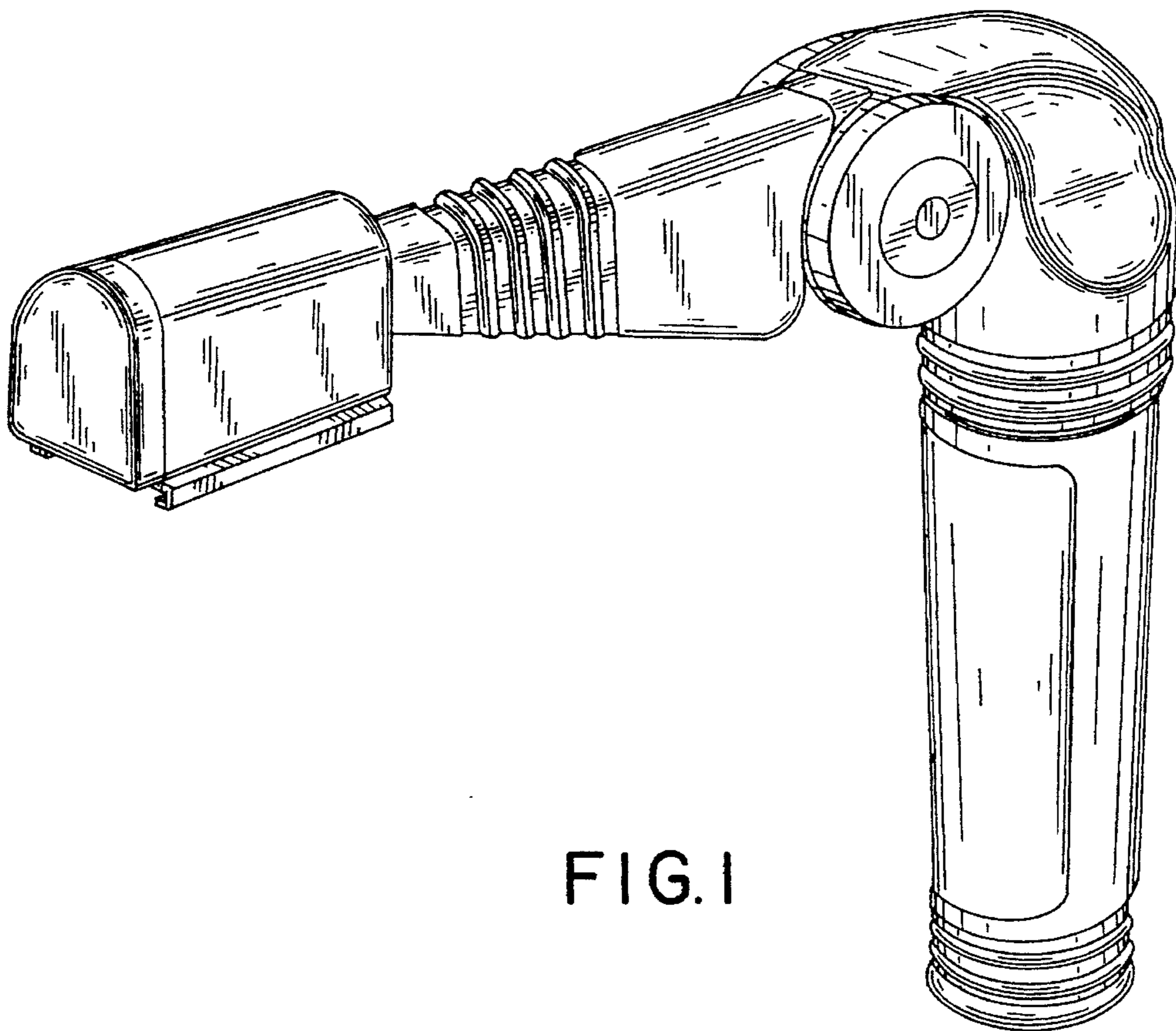


FIG. 1

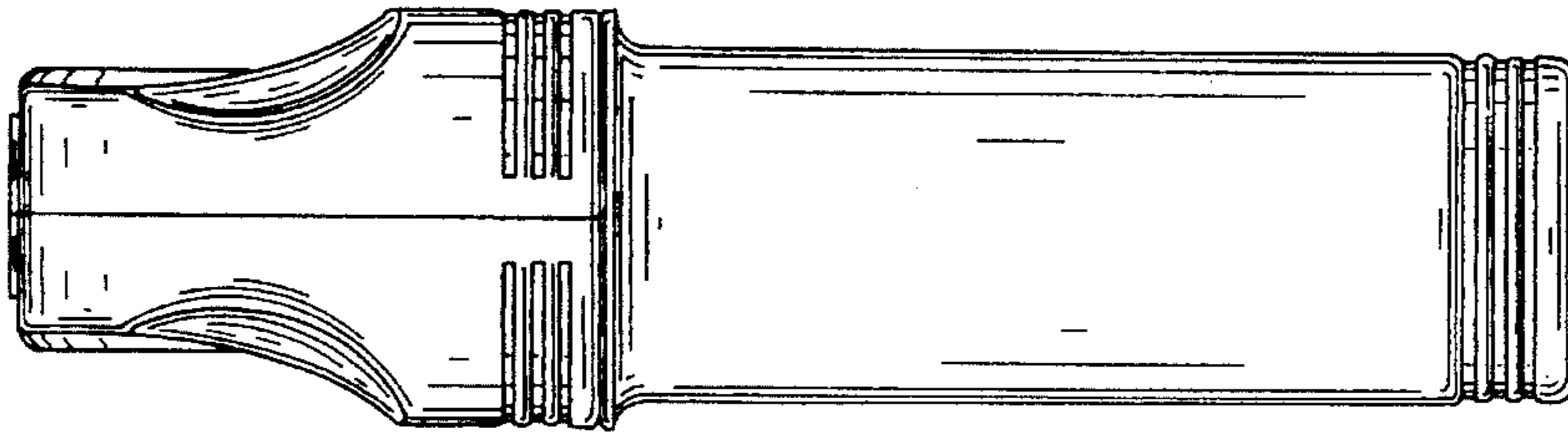


FIG. 3

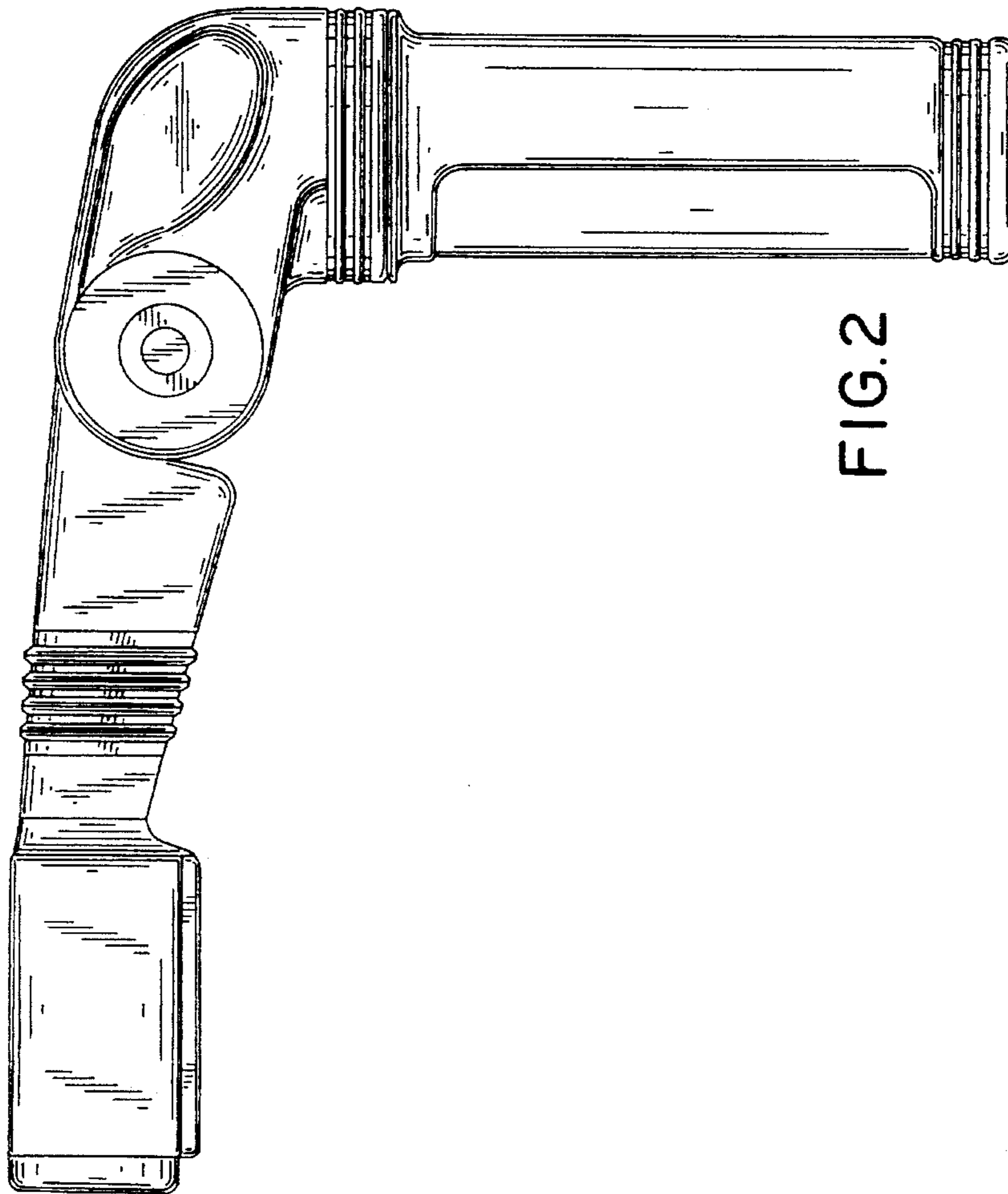


FIG. 2

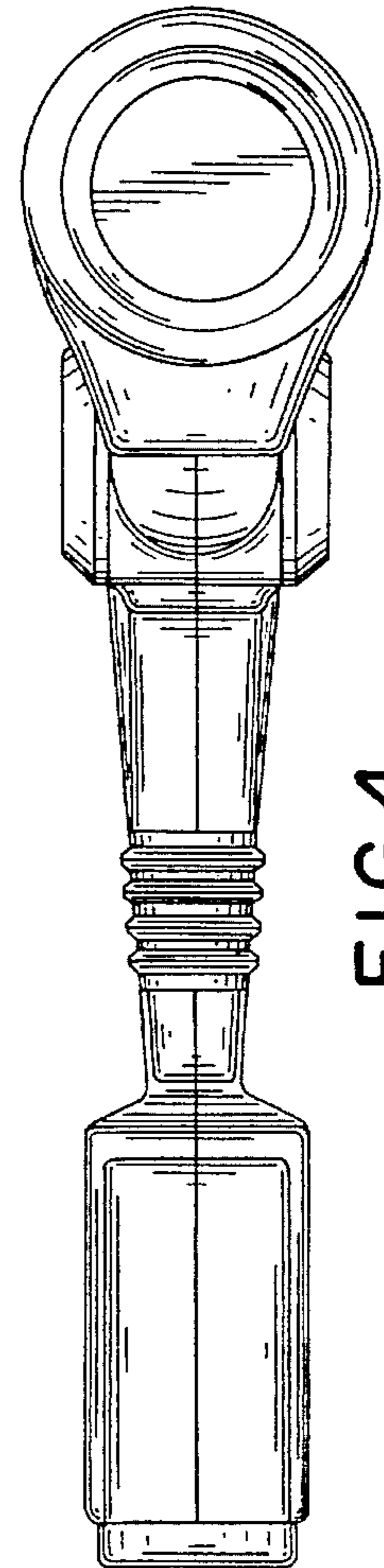


FIG. 4

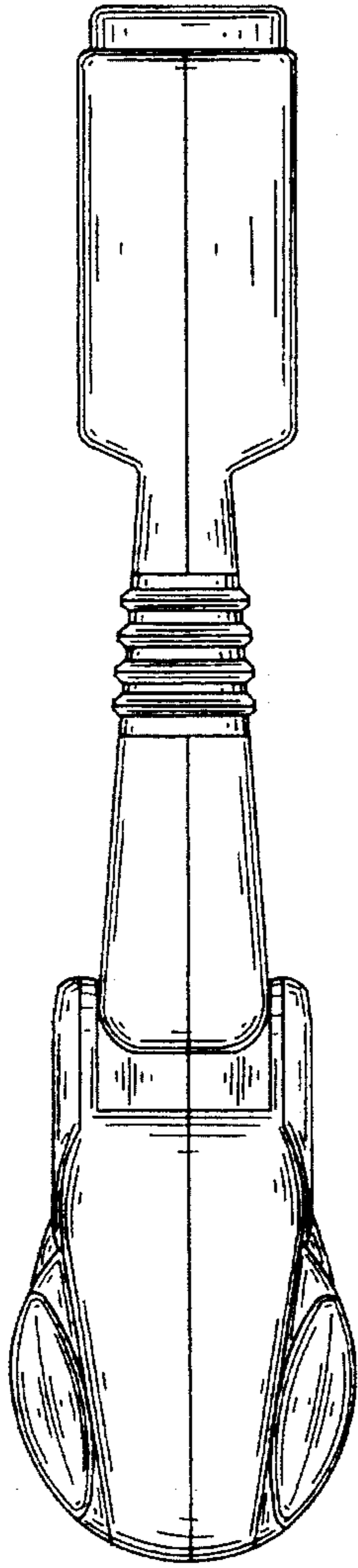


FIG. 7

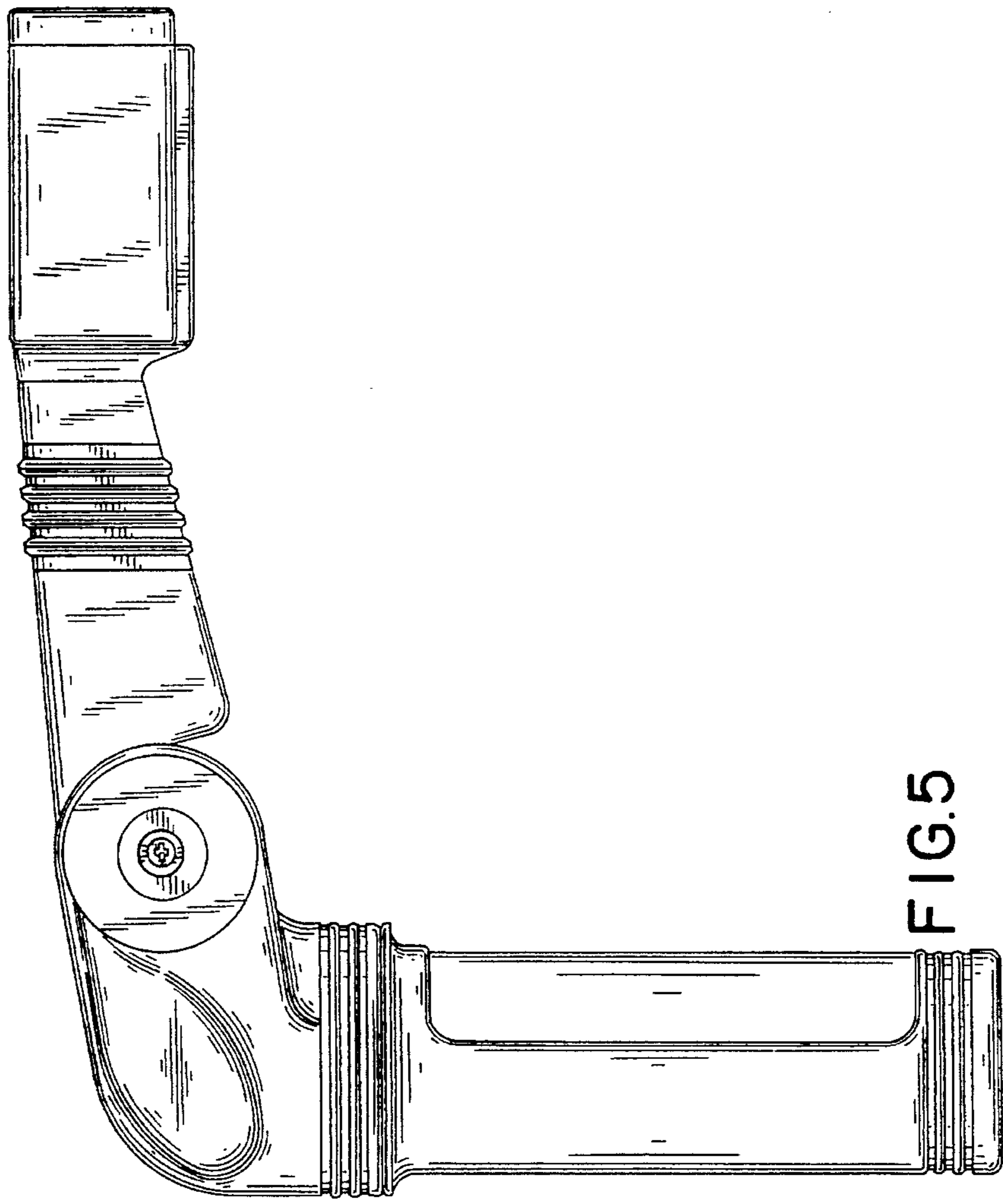


FIG. 5

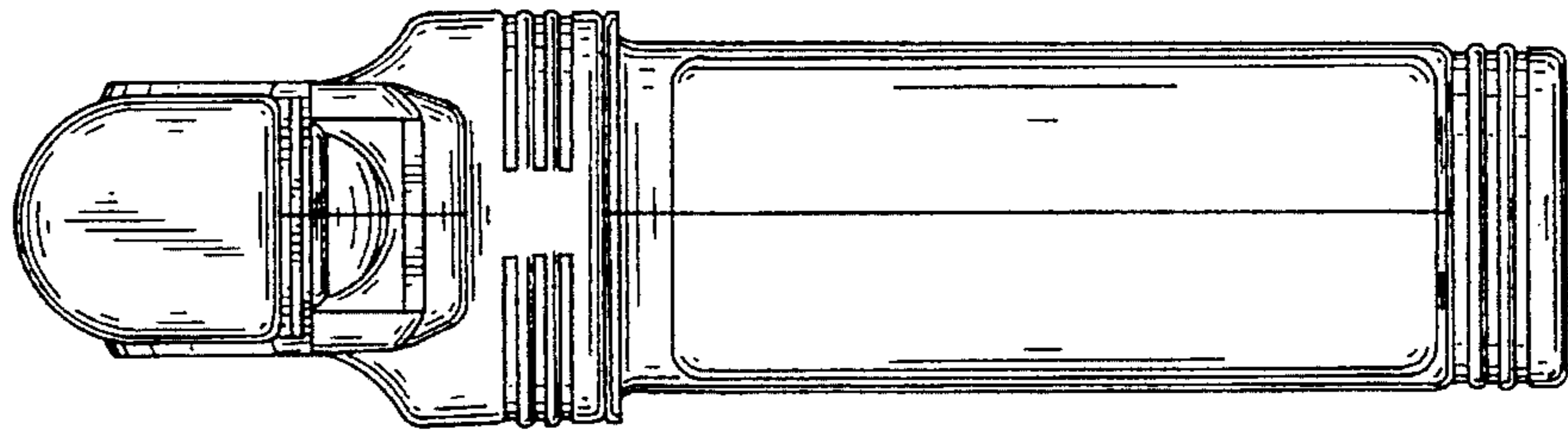


FIG. 6