



US00D363348S

United States Patent [19] McPhee

[11] **Patent Number: Des. 363,348**
[45] **Date of Patent: **Oct. 17, 1995**

[54] **ELASTOMERIC SYRINGE ACTUATOR**

[75] **Inventor: Charles J. McPhee**, Huntington Beach, Calif.

[73] **Assignee: I-Flow Corporation**, Irvine, Calif.

[**] **Term: 14 Years**

[21] **Appl. No.: 19,721**

[22] **Filed: Mar. 9, 1994**

[52] **U.S. Cl. D24/130**

[58] **Field of Search D24/130, 112, D24/114; 604/131, 229, 218, 132, 134, 151, DIG. 12; 606/1; 128/749, 750, 758**

[56] **References Cited**

U.S. PATENT DOCUMENTS

4,381,006	4/1983	Genese	128/218
4,597,754	7/1986	Thill et al.	604/154
4,636,197	1/1987	Chu	604/131
4,950,163	8/1990	Zimble	433/215
4,950,265	8/1990	Taylor	606/1
5,024,662	6/1991	Menes et al.	604/131
5,041,094	8/1991	Perego et al.	604/131 X

FOREIGN PATENT DOCUMENTS

69428 9/1968 German Dem. Rep. .

Primary Examiner—Louis S. Zarfes
Assistant Examiner—I. Simmons
Attorney, Agent, or Firm—Klein & Szekeres

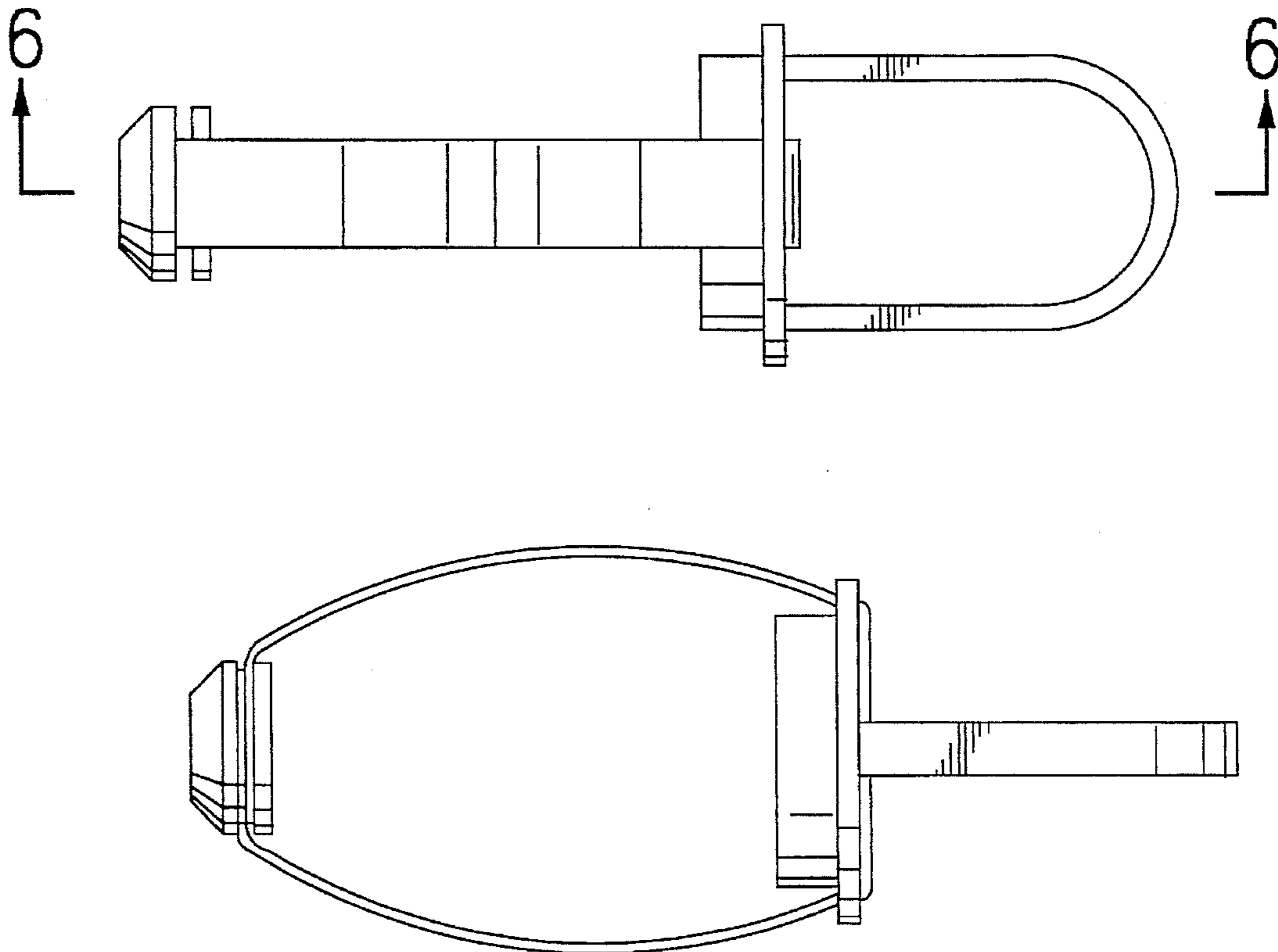
[57] **CLAIM**

The ornamental design for an elastomeric syringe actuator, as shown and described.

DESCRIPTION

FIG. 1 is a left side elevational view of an elastomeric syringe actuator, showing my new design;
FIG. 2 is a top plan view thereof;
FIG. 3 is a right side elevational view thereof;
FIG. 4 is a front elevational view thereof;
FIG. 5 is a rear elevational view thereof;
FIG. 6 is a longitudinal cross-sectional view thereof, taken along line 6—6 of FIG. 1;
FIG. 7 is a lateral cross-sectional view thereof, facing rearwardly, taken along line 7—7 of FIG. 6;
FIG. 8 is a lateral cross-sectional view thereof, facing forwardly, taken along line 8—8 of FIG. 6; and,
FIG. 9 is an exploded bottom plan view thereof.

1 Claim, 2 Drawing Sheets



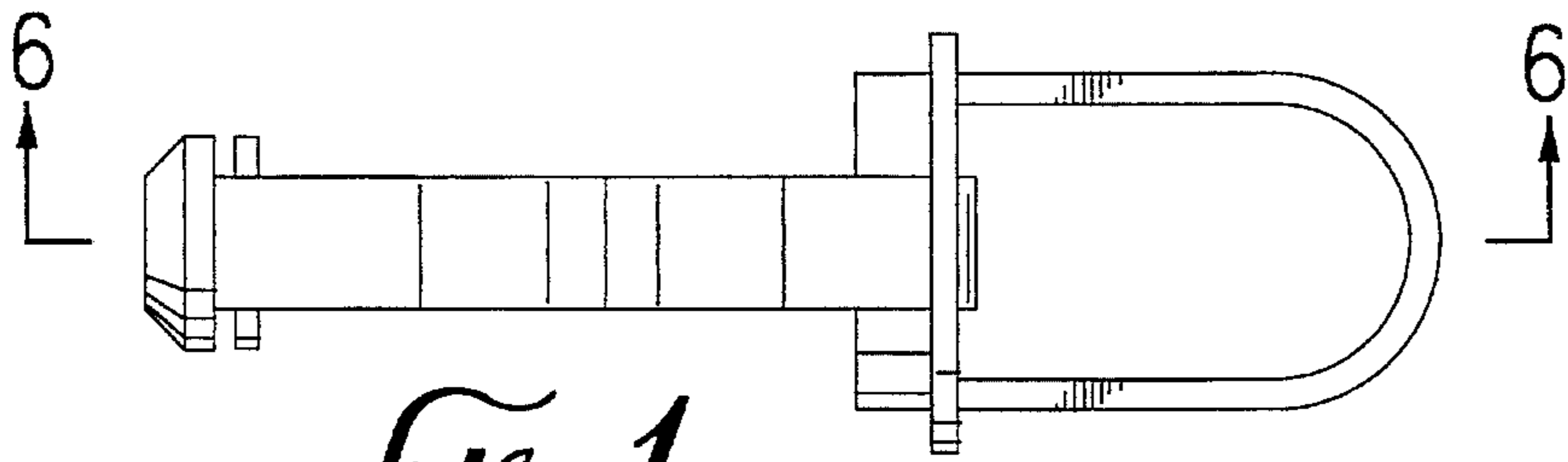


FIG. 1

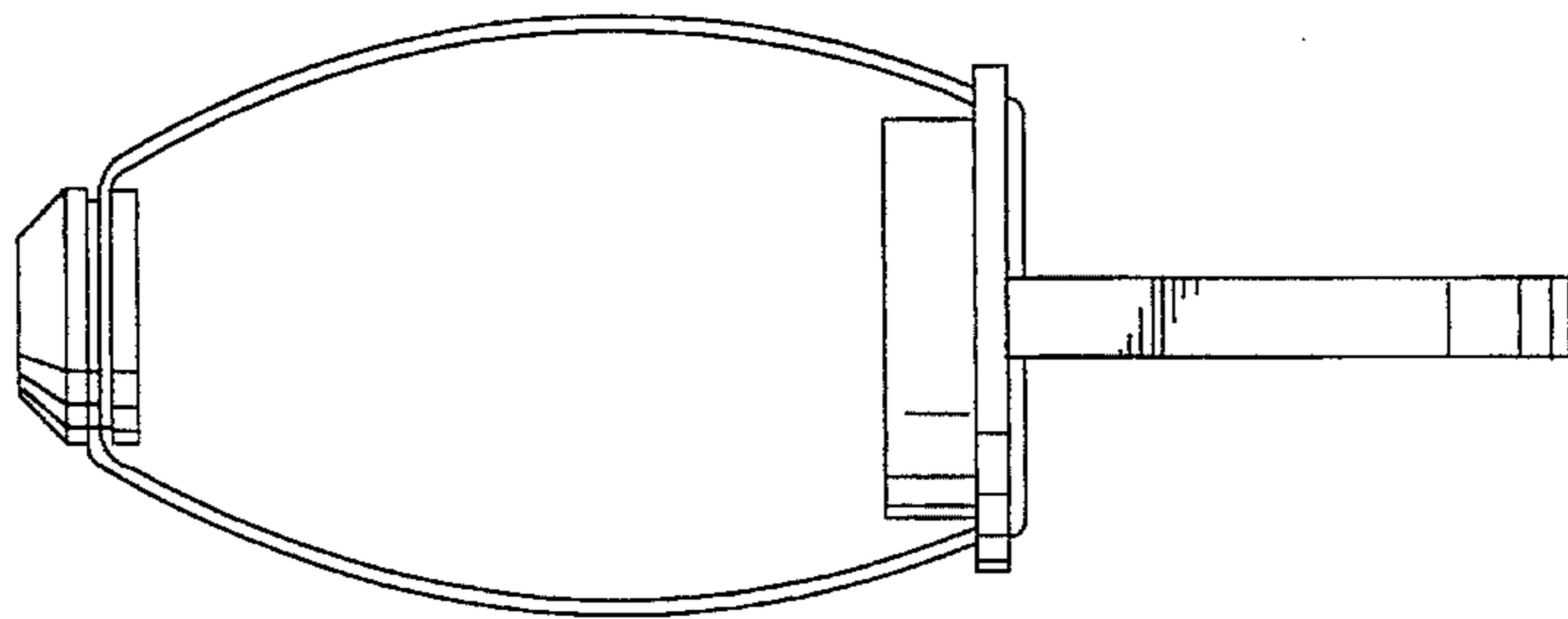


FIG. 2

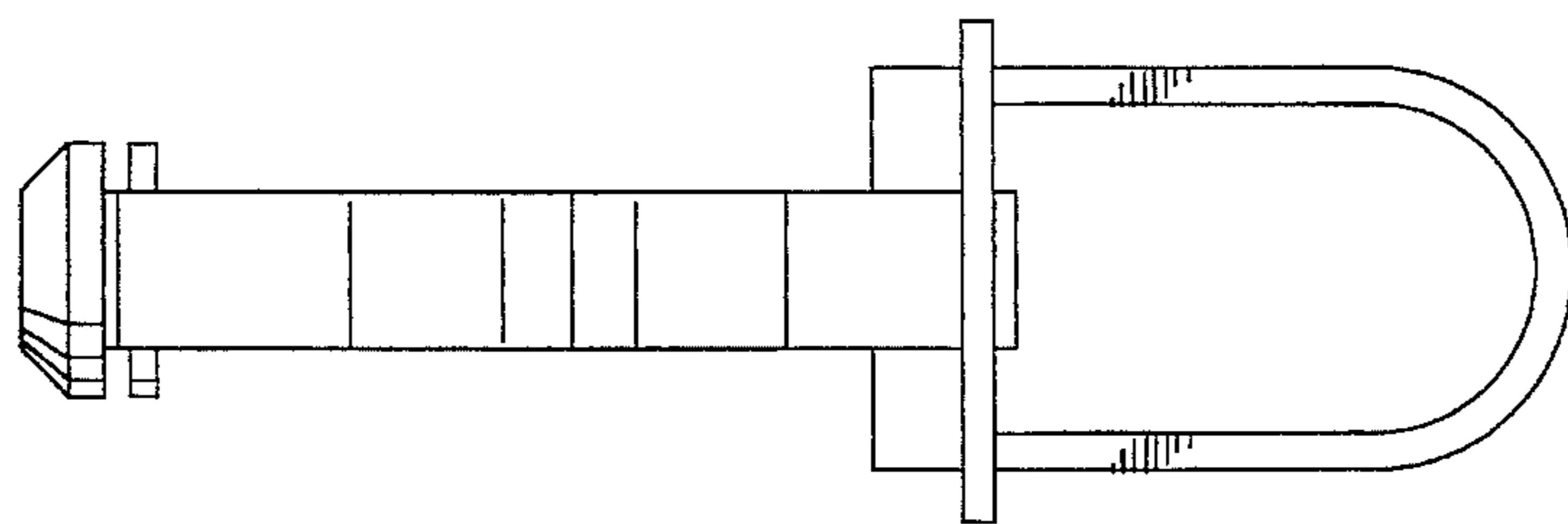


FIG. 3

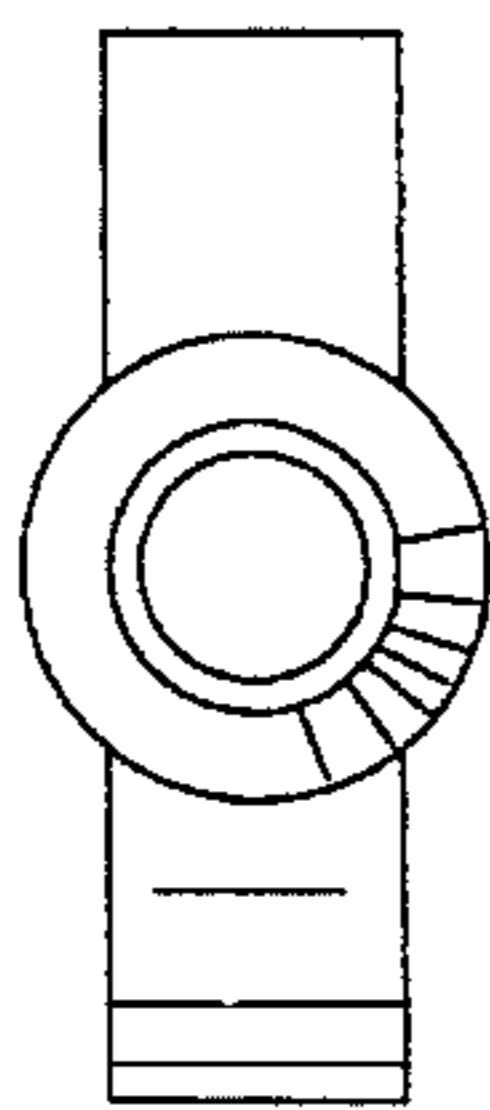


FIG. 4

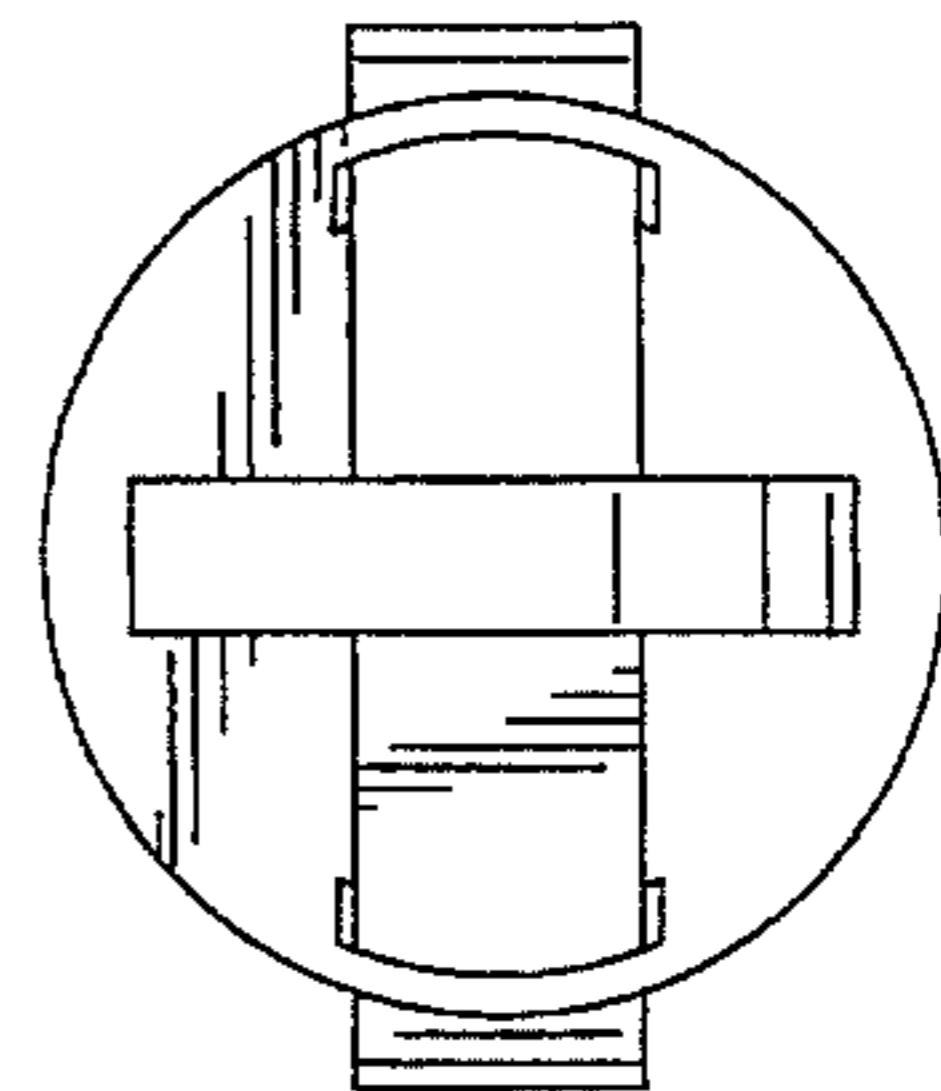


FIG. 5

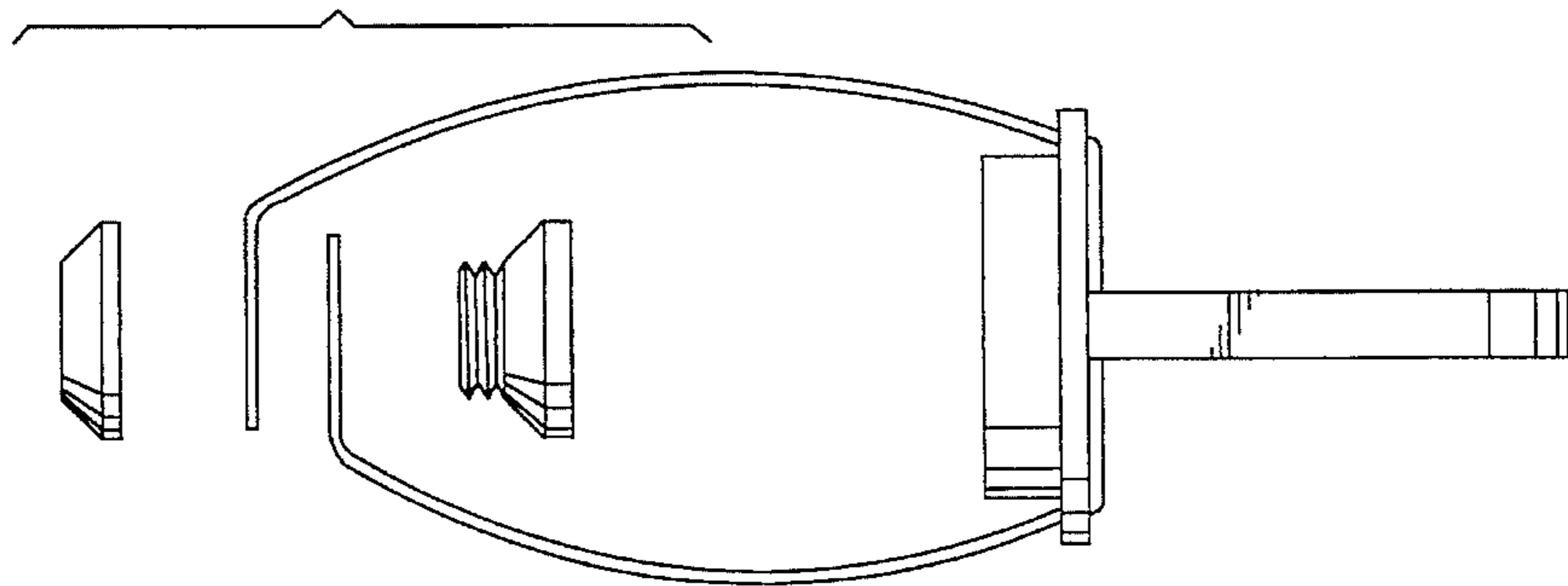
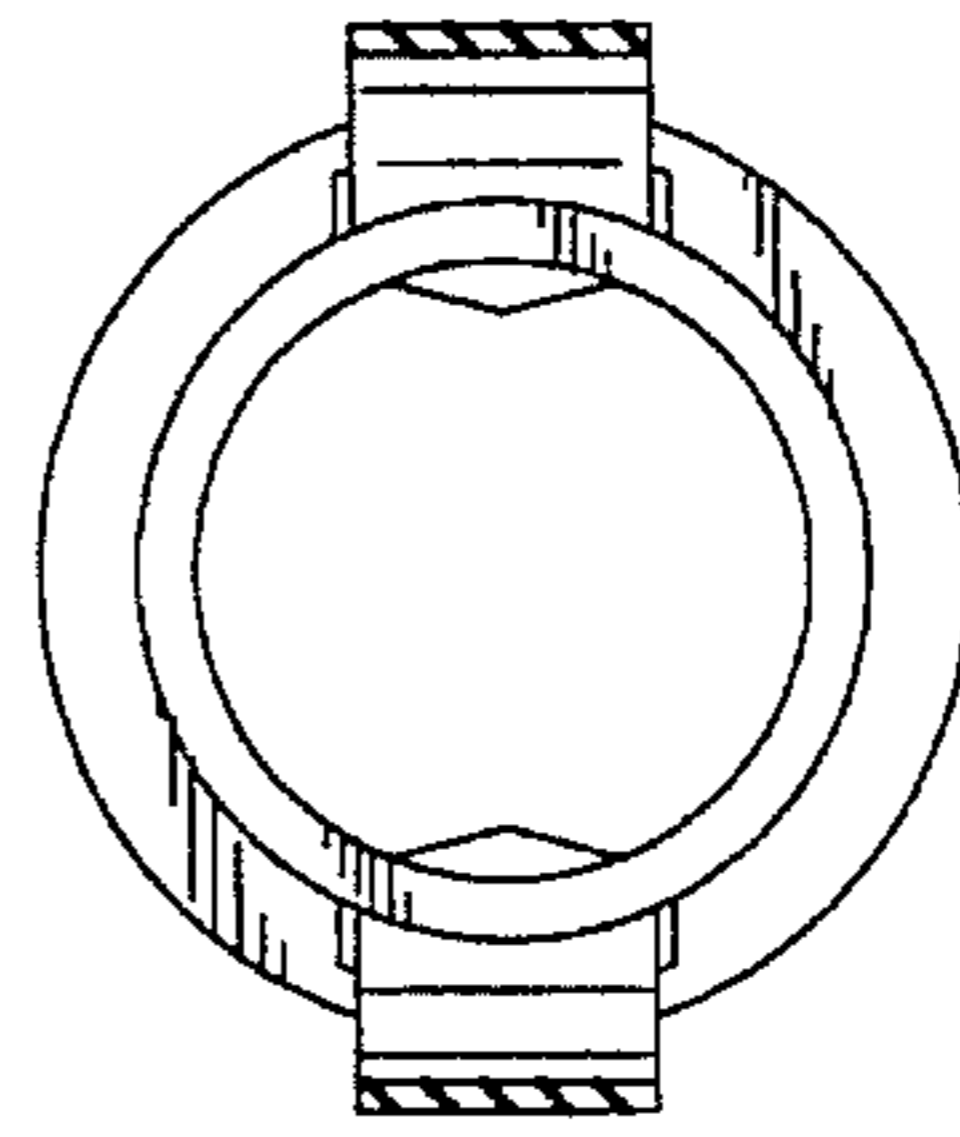
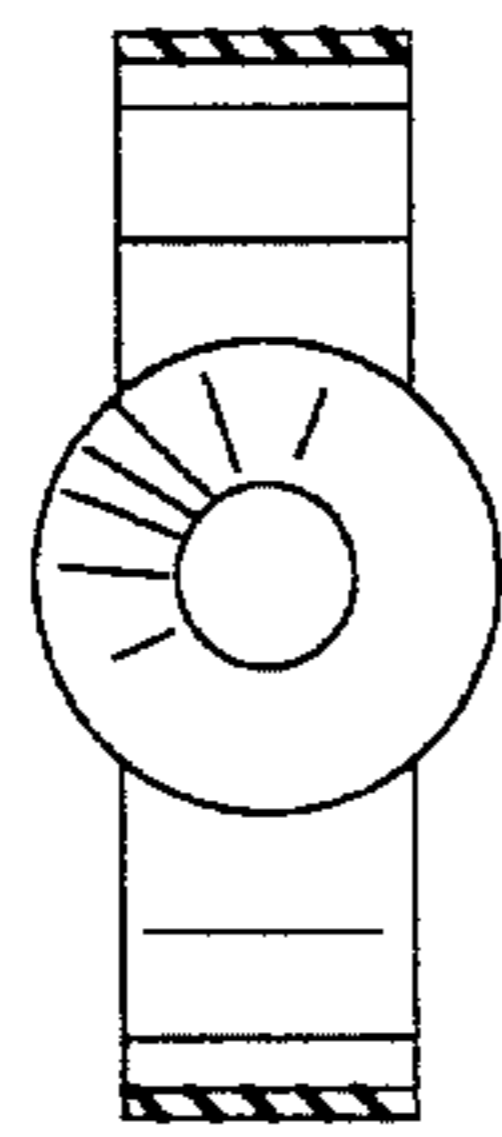
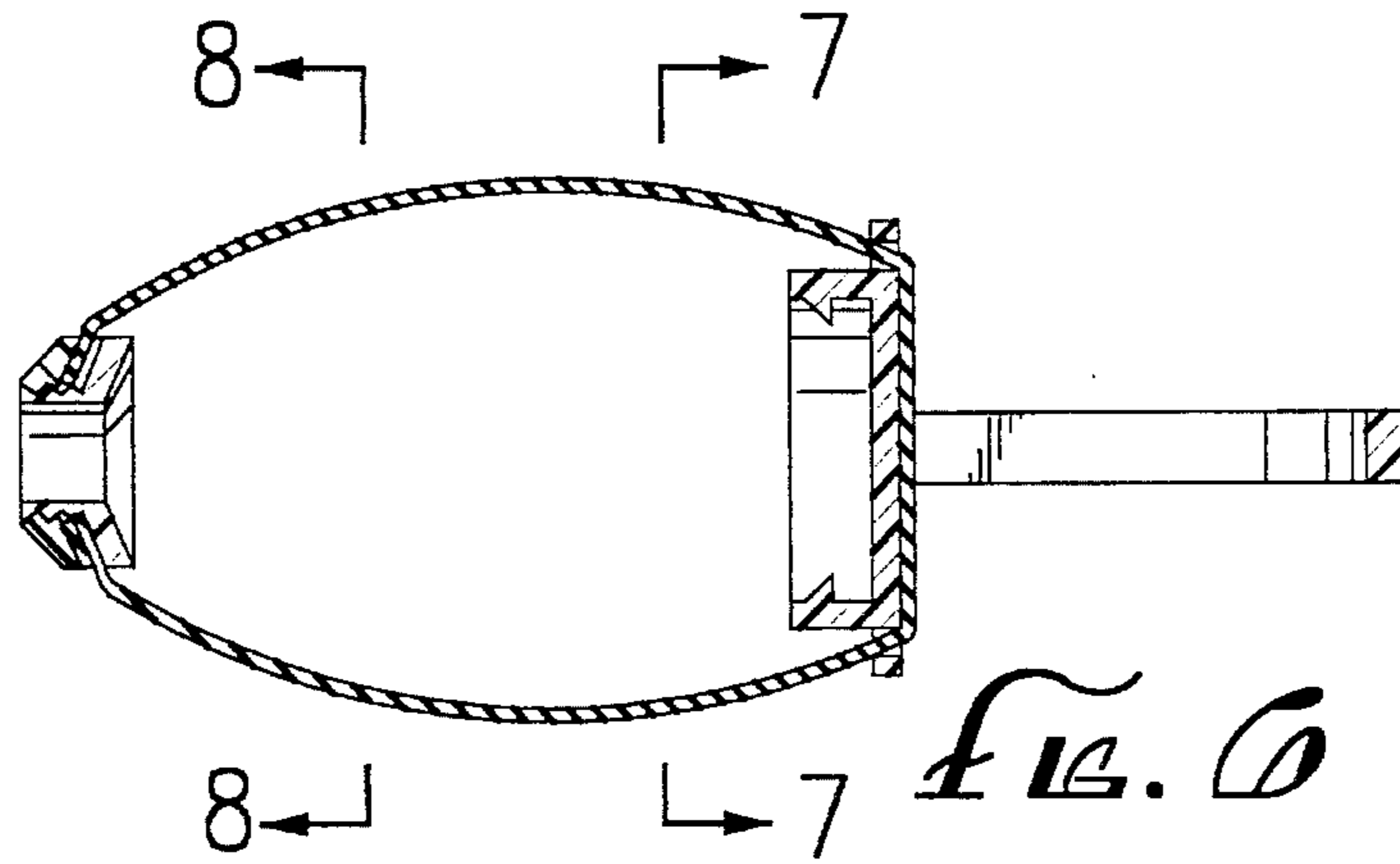


FIG. 9