



US00D363346S

United States Patent [19]

[11] Patent Number: Des. 363,346

Wang

[45] Date of Patent: **Oct. 17, 1995

[54] **COMBINED CEILING FAN AND LIGHT KIT**

[76] Inventor: **Pierce Wang**, No. 46, Alley 26, Lane 667, Chung Shan Road, Shing Kong Hsiang, Taichung Hsien, Taiwan

[**] Term: **14 Years**

[21] Appl. No.: **27,980**

[22] Filed: **Sep. 2, 1994**

[52] U.S. Cl. **D23/377; D23/379; D23/385; D26/86**

[58] **Field of Search** D23/377, 379, D23/385, 411, 413; 416/5; D26/88, 81-86, 51, 59, 72; D7/560-562

[56] **References Cited**

U.S. PATENT DOCUMENTS

| | | | | |
|------------|---------|-----------|-------|---------|
| D. 46,694 | 11/1914 | Sanford | | D7/562 |
| D. 62,561 | 6/1923 | Aspinwall | | D26/84 |
| D. 111,951 | 11/1938 | Bennett | | D7/561 |
| D. 346,210 | 4/1994 | Holbrook | | D23/379 |
| 4,518,314 | 5/1985 | Schultz | | 416/5 |

OTHER PUBLICATIONS

Casablanca Fan Co. Cat., pp. 5 and 6, Ceiling Fans (A) and (C) of each page.

Casablanca Fan Co. Cat. ©1981, p. 9, Glass Shades A and

B, top left and top middle sides of page, respectively.

HFD, Aug. 15, 1988, p. 66, Bowl A, upper left side of page.

Primary Examiner—Lisa P. Lichtenstein
Attorney, Agent, or Firm—Charles W. McHugh

[57] **CLAIM**

The ornamental design for a combined ceiling fan and light kit, as shown and described.

DESCRIPTION

FIG. 1 is a perspective view of an combined ceiling fan and light kit showing my new design;

FIG. 2 is an enlarged bottom plan view thereof;

FIG. 3 is an enlarged top plan view thereof;

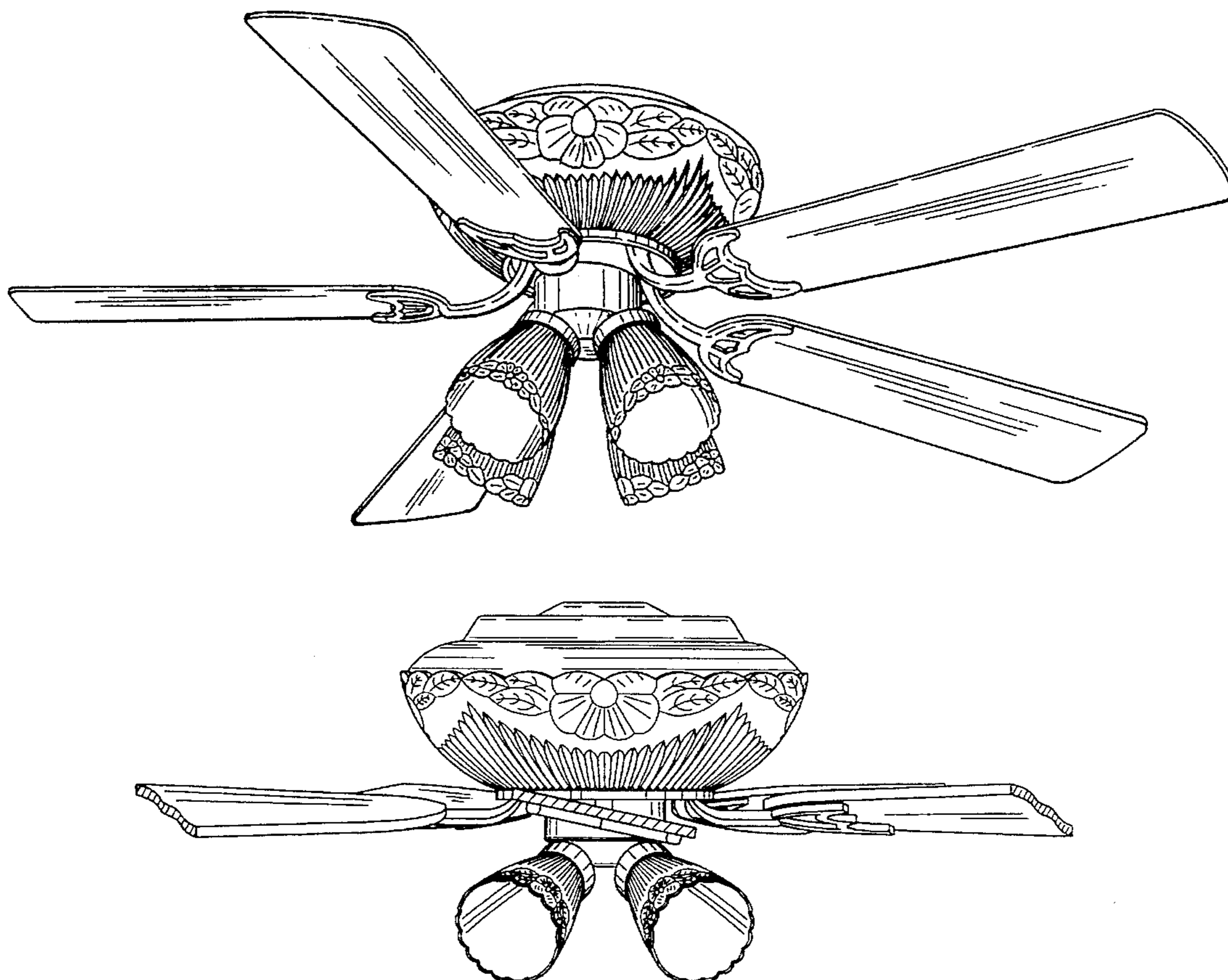
FIG. 4 is an enlarged side elevational view thereof, the other sides being identical to that shown;

FIG. 5 is a greatly enlarged side elevational view of the cover for the motor, shown separately for clarity of illustration; and,

FIG. 6 is a greatly enlarged bottom plan view of the cover for the motor, shown separately for clarity of illustration.

The blades have been shown broken away in FIGS. 2-4 for ease of illustration.

1 Claim, 3 Drawing Sheets



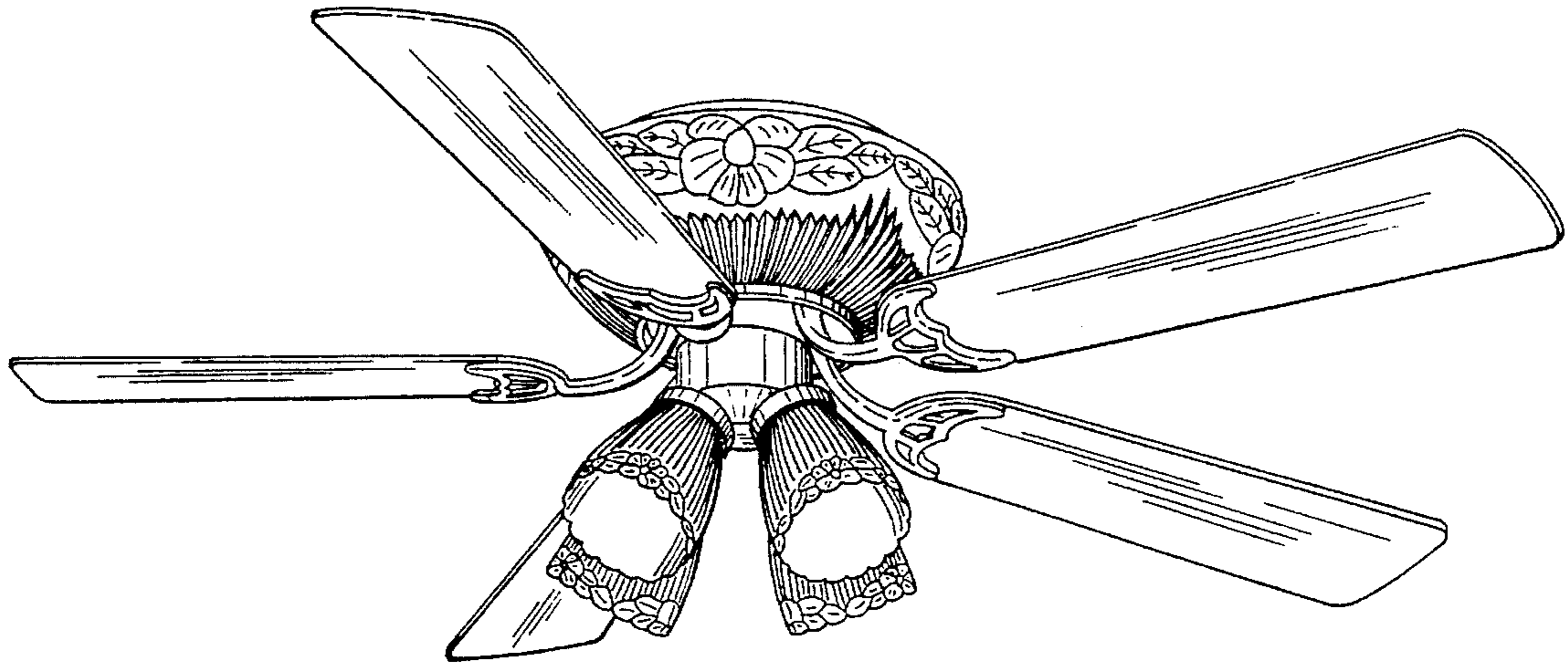


FIG. 1

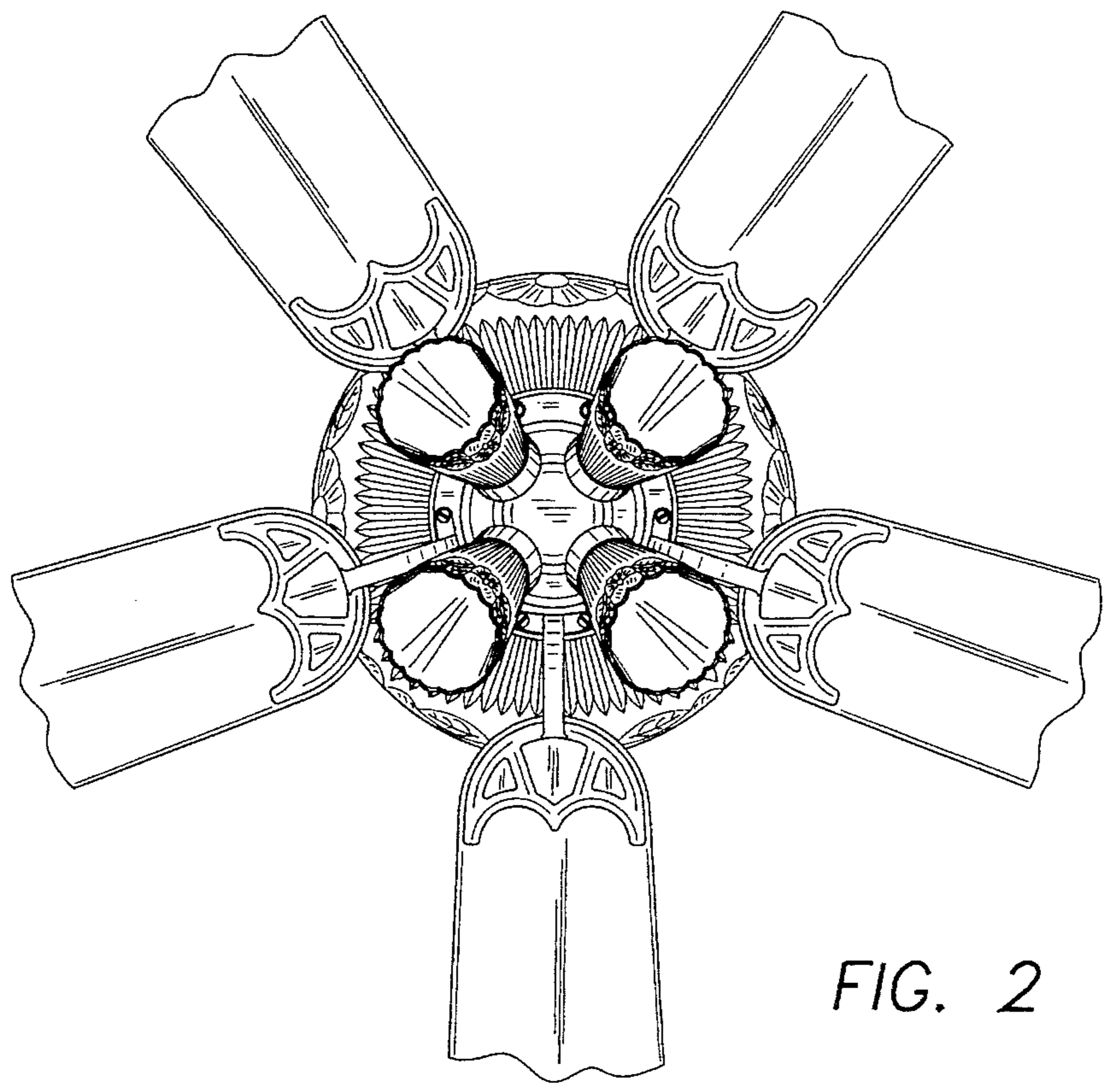


FIG. 2

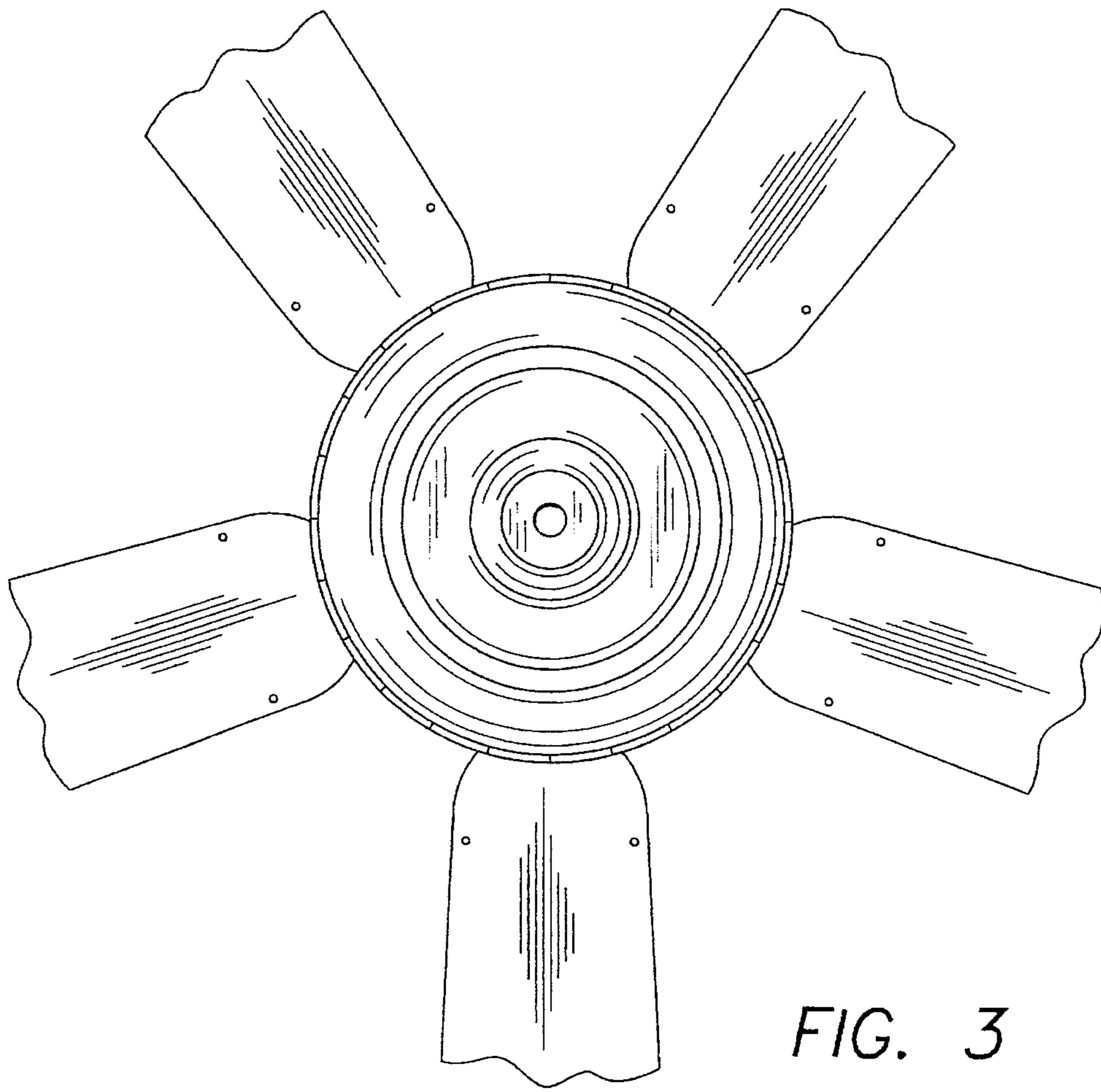


FIG. 3

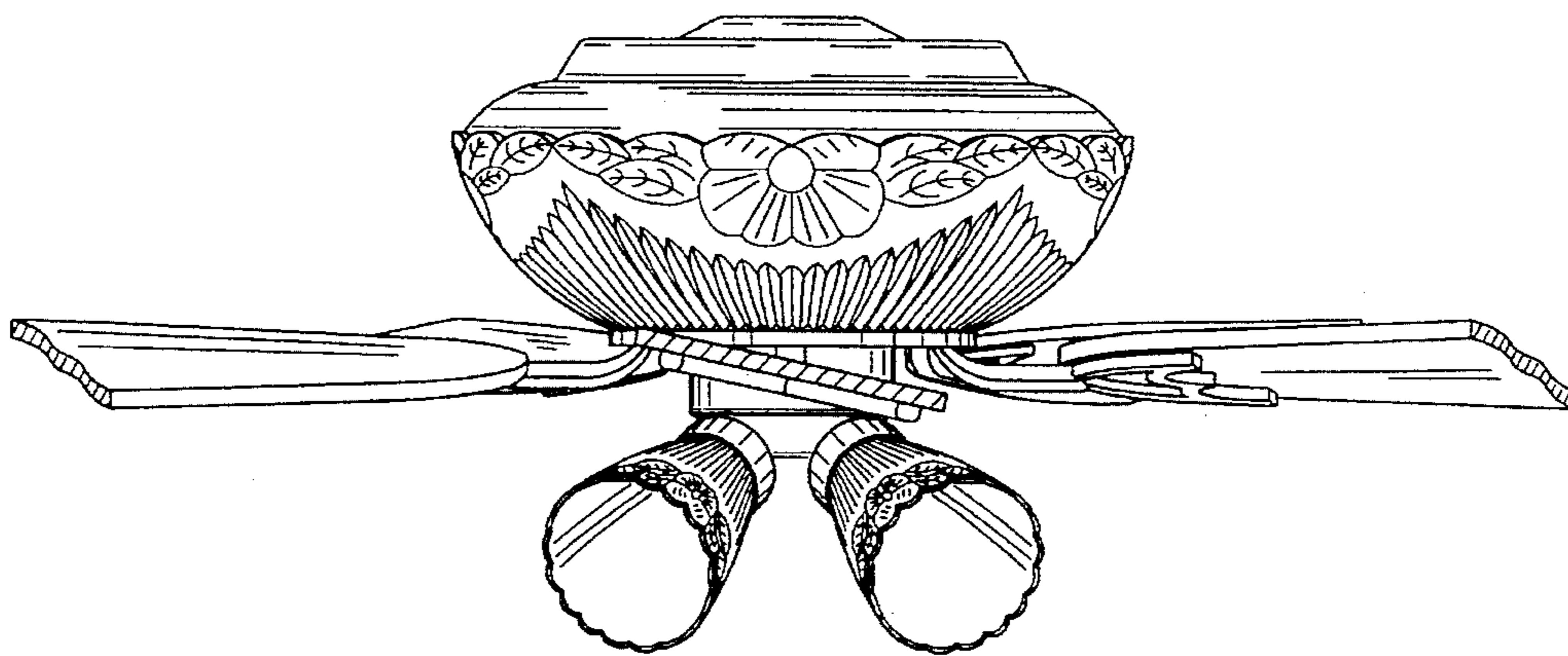


FIG. 4

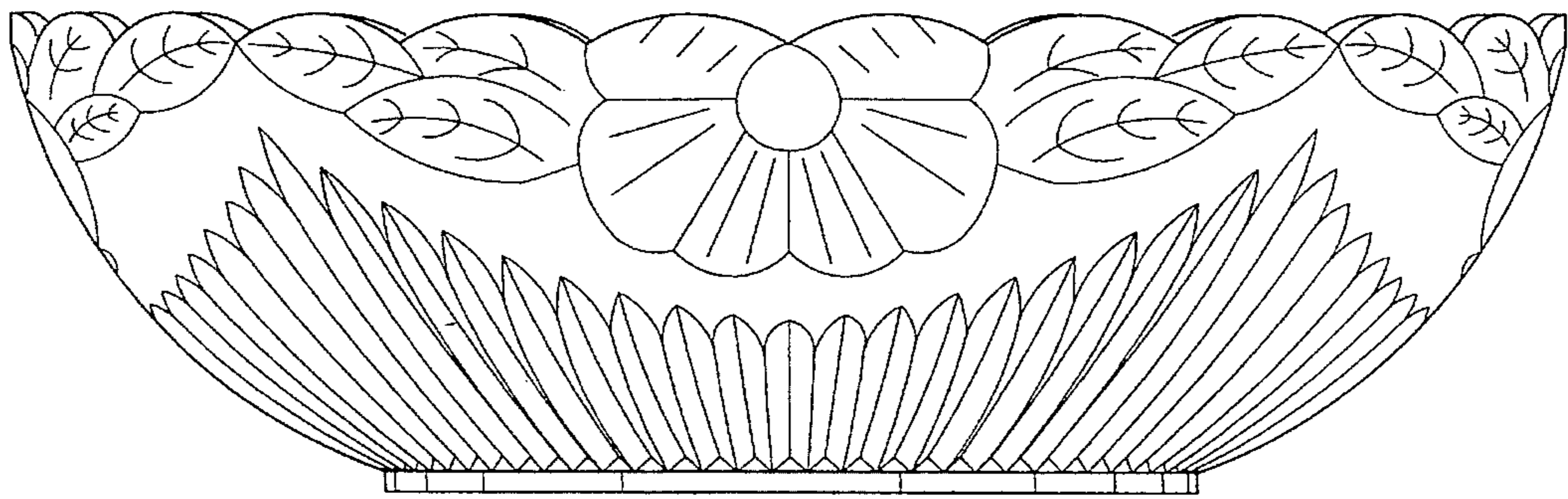


FIG. 5

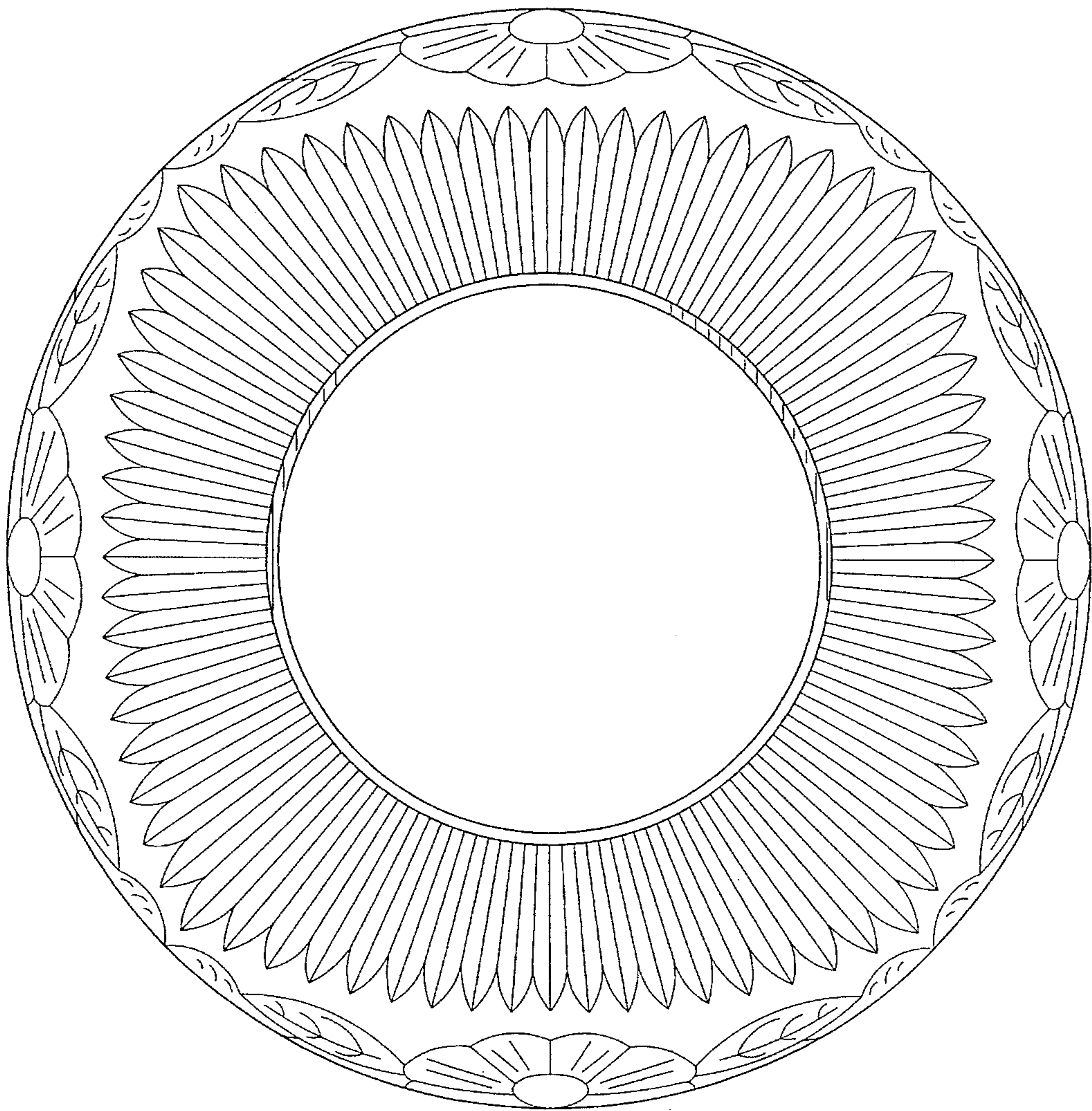


FIG. 6