



US00D363345S

United States Patent [19]
Wang

[11] **Patent Number: Des. 363,345**
[45] **Date of Patent: **Oct. 17, 1995**

[54] **ELECTRIC CEILING FAN**

Attorney, Agent, or Firm—Charles W. McHugh

[76] Inventor: **Pierce Wang**, No. 46, Alley 26, Lane 667, Chung Shan Road, Shing Kong Hsiang, Taichung Hsien, Taiwan

[57] **CLAIM**

[**] Term: **14 Years**

The ornamental design for an electric ceiling fan, as shown and described.

[21] Appl. No.: **25,537**

DESCRIPTION

[22] Filed: **Jul. 5, 1994**

[52] U.S. Cl. **D23/377; D23/379; D23/385**

FIG. 1 is a perspective view of an electric ceiling fan, showing my new design;

[58] **Field of Search** D23/377, 379, D23/385, 411, 413; D26/81–86, 88, 51, 59, 72; 362/96, 294; 392/364; 416/5

FIG. 2 is an enlarged side elevational view thereof, the other side being identical to that shown;

[56] **References Cited**

U.S. PATENT DOCUMENTS

D. 345,206 3/1994 Di Pasquale D23/379

FIG. 3 is an enlarged top plan view thereof; and,

FIG. 4 is an enlarged bottom plan view thereof.

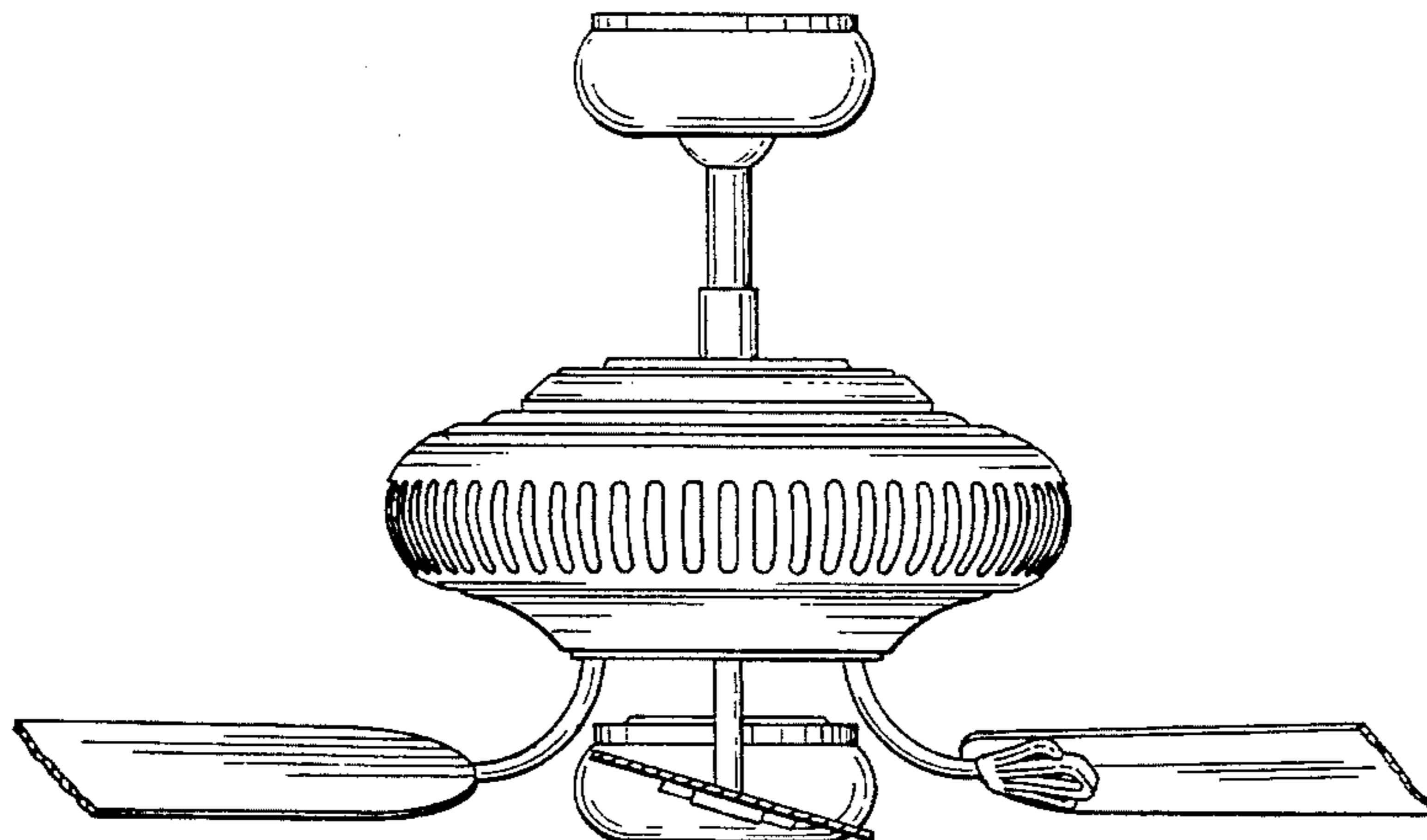
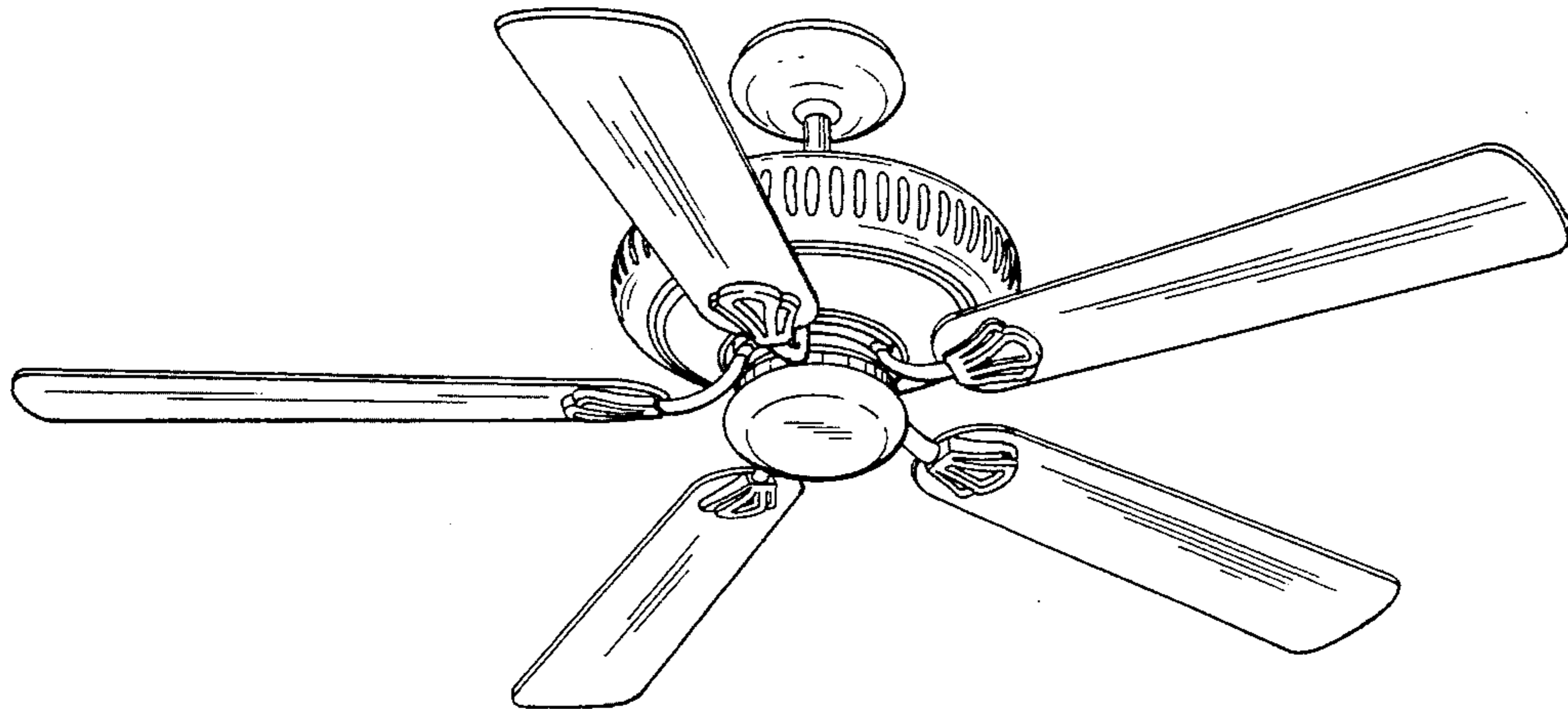
OTHER PUBLICATIONS

Hunter Fan Co. Cat., ©1987, p. 22, Ceiling Fan A, bottom right side of page.

The distal ends of the blades have been shown broken away in FIGS. 2–4 for ease of illustration.

Primary Examiner—Lisa P. Lichtenstein

1 Claim, 2 Drawing Sheets



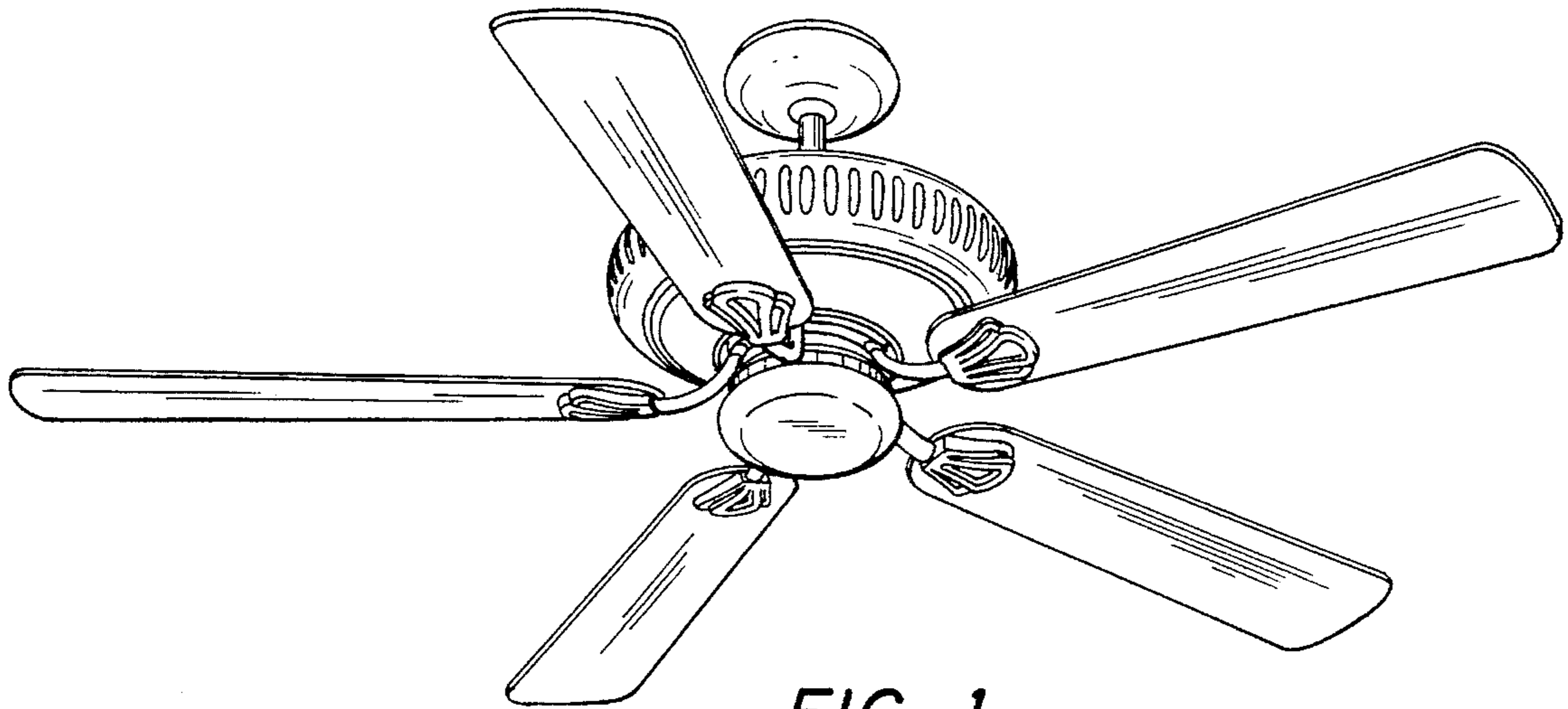


FIG. 1

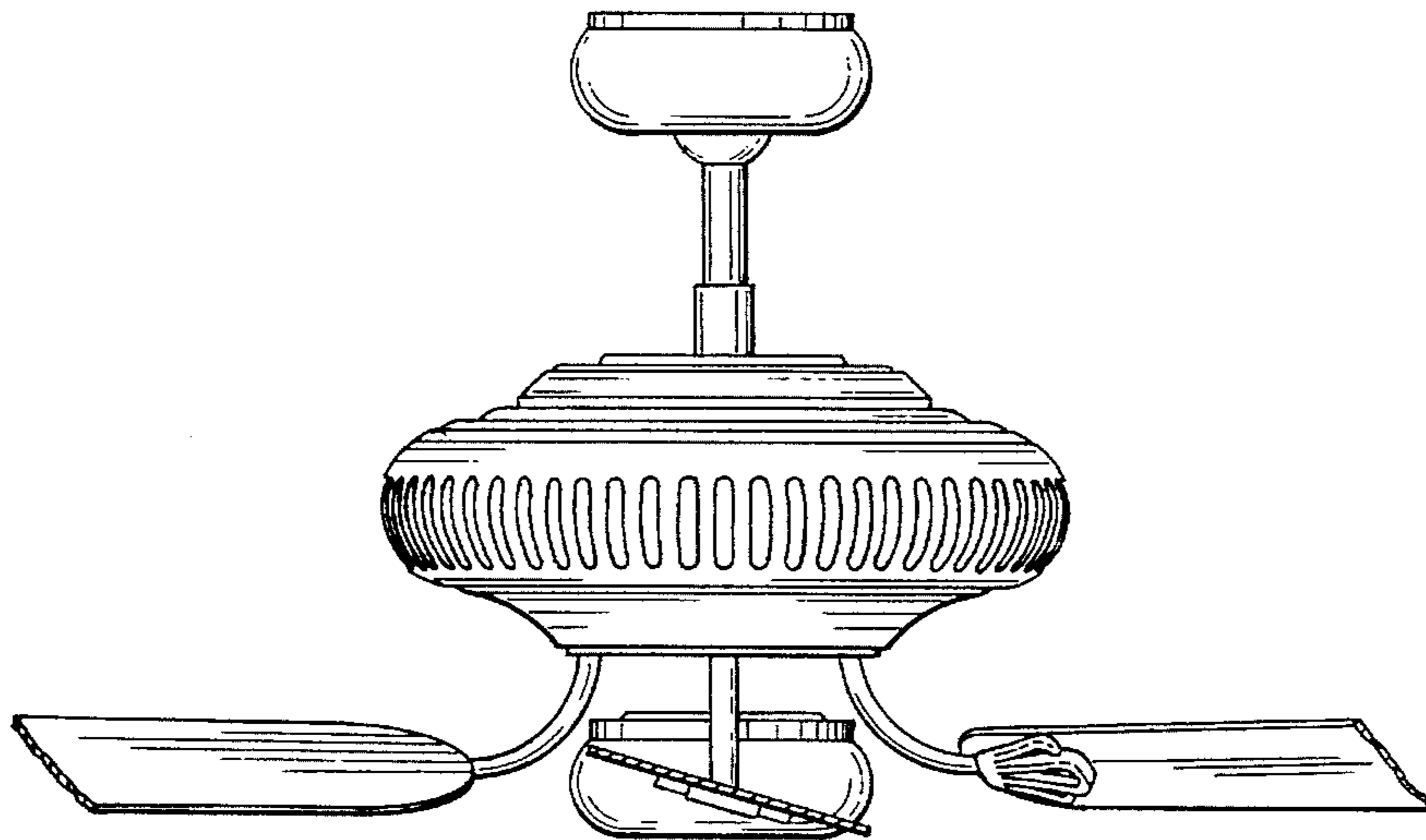


FIG. 2

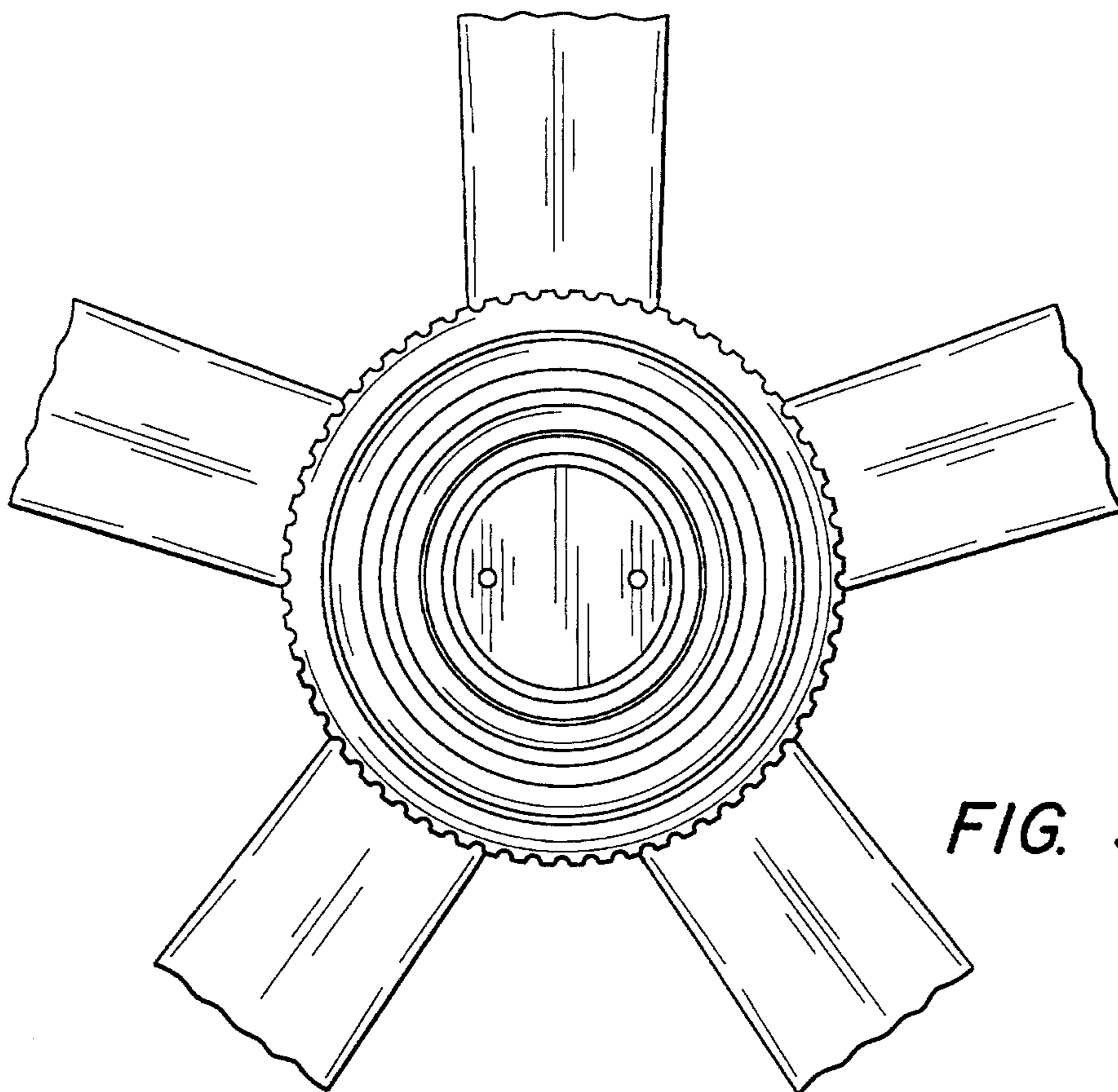


FIG. 3

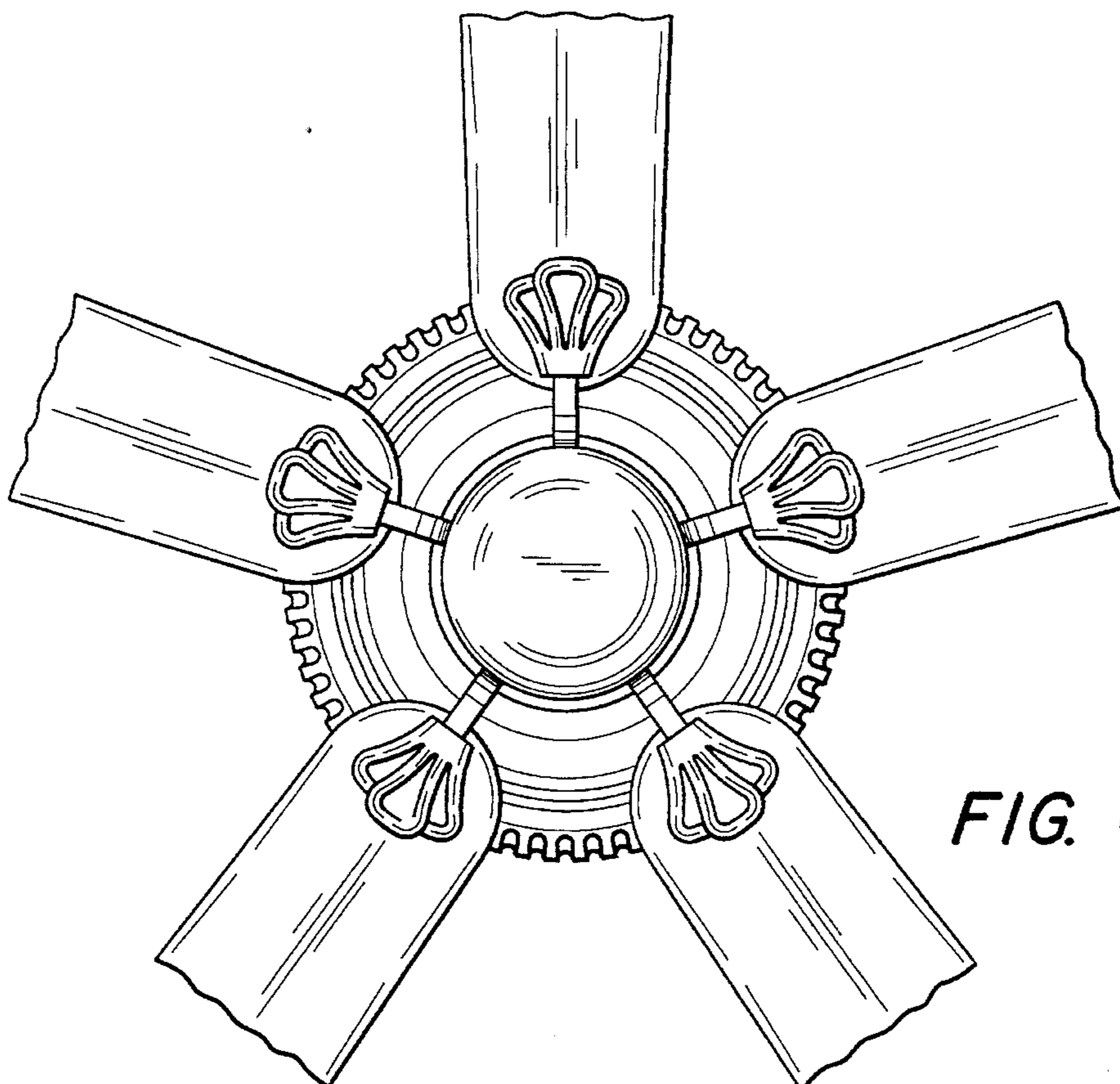


FIG. 4