



US00D363342S

**United States Patent** [19]

[11] **Patent Number: Des. 363,342**

**Dannenberg et al.**

[45] **Date of Patent: \*\*Oct. 17, 1995**

[54] **PLUMBING FIXTURE BASE**

[75] Inventors: **Todd D. Dannenberg; Jill E. Roach,**  
both of Sheboygan, Wis.

[73] Assignee: **Kohler Co., Kohler, Wis.**

[\*\*] Term: **14 Years**

[21] Appl. No.: **4,868**

[22] Filed: **Feb. 16, 1993**

[52] U.S. Cl. .... **D23/283**

[58] Field of Search ..... **D23/275, 283,**  
**D23/305; 52/34, 35, 264; 4/541.1-541.6,**  
**590, 596, 597, 604, 605, 611, 612, 613,**  
**614, 622**

[56] **References Cited**

**U.S. PATENT DOCUMENTS**

D. 204,126	3/1966	Brenner	.....	D23/283
D. 208,967	10/1967	Wolske	.....	D23/283
D. 299,523	1/1989	Poulin	.....	D23/283
D. 337,375	7/1993	Bengtson et al.	.....	D23/283
D. 338,260	8/1993	Bengtson et al.	.....	D23/283
3,606,617	9/1971	Frazier	.....	4/145

**OTHER PUBLICATIONS**

Pages 7-14a from a 1985 Kohler K-400 catalog showing the Neo-Angle Profile Shower.

Cover page from a 1991 Sterling advertisement entitled "Neo-Conomy".

A page from a 1991 Jacuzzi advertisement entitled "Jacuzzi Shower Bases" showing the 38 NEO single threshold.

Page 22 of a 1973 Kohler catalog entitled "Corner Bath".

Catalog of Kohler Plumbing Products, K-400, pp. 7-13,

Mayflower Bath #K-821, revised Sep. 1986.

Page 28 from a Jacob Delafon advertisement entitled "Collection 90" (1989).

Page 1.34 from an Eljer advertisement showing the "Enchantment Tub" (1992).

*Primary Examiner*—Lou Zarfaz

*Assistant Examiner*—Eric Watterson

*Attorney, Agent, or Firm*—Quarles & Brady

[57] **CLAIM**

The ornamental design for a plumbing fixture base, as shown and described.

**DESCRIPTION**

FIG. 1 is a front perspective view of a plumbing fixture base showing our new design;

FIG. 2 is a top plan view thereof;

FIG. 3 is a left side elevational view thereof;

FIG. 4 is a right side elevational view thereof;

FIG. 5 is a bottom plan view thereof;

FIG. 6 is a cross sectional view taken on line 6-6 of FIG. 2;

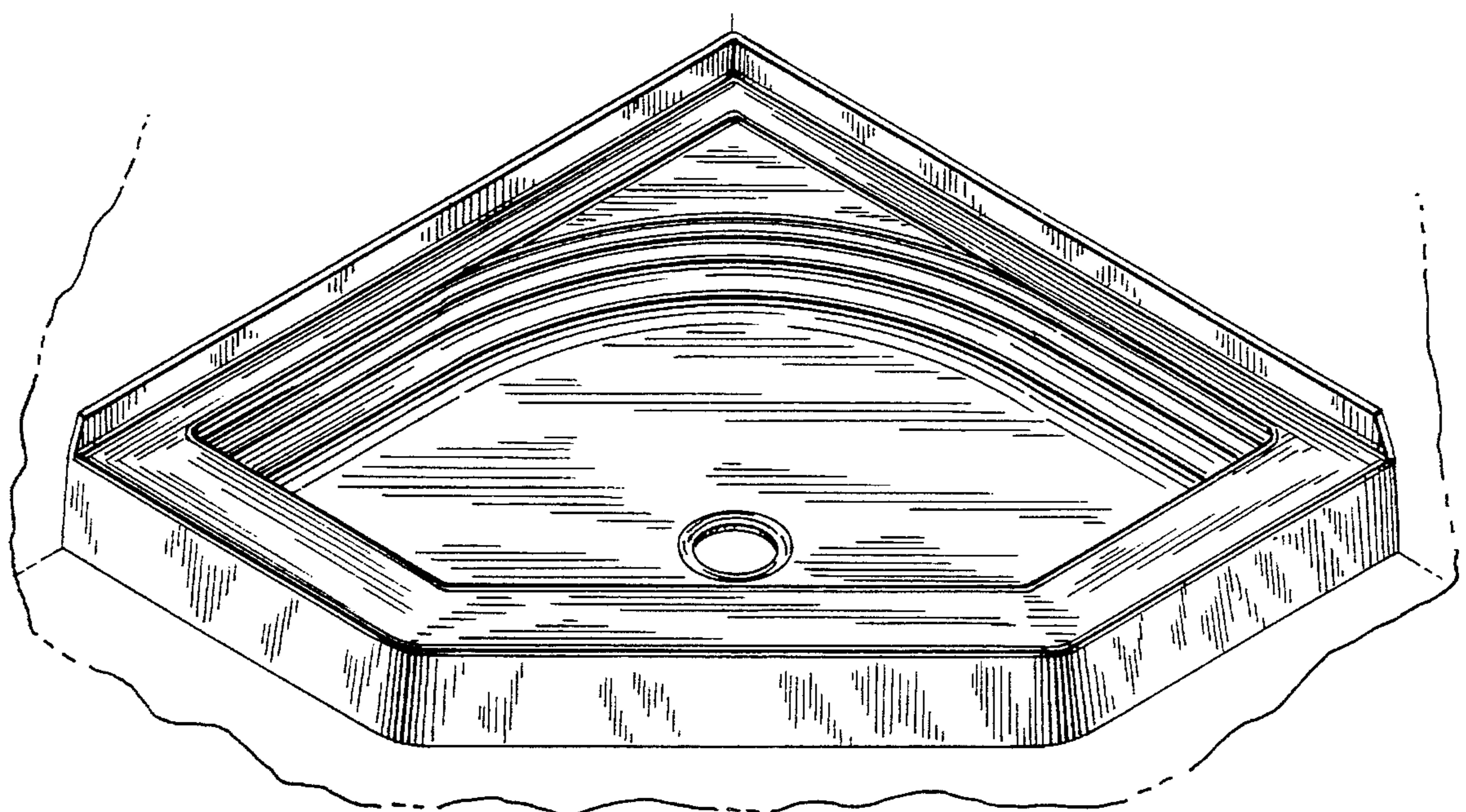
FIG. 7 is a cross sectional view taken on line 7-7 of FIG. 2;

FIG. 8 is a cross sectional view taken on line 8-8 of FIG. 2; and,

FIG. 9 is a front perspective view of a second embodiment thereof.

The fragmentary broken line representations of a floor and walls in FIGS. 1 and 9 are for purposes of illustration only. The characteristic feature of our design resides in the combination of the corner ledge and the arcuate ribbed side walls adjacent thereto.

**1 Claim, 4 Drawing Sheets**





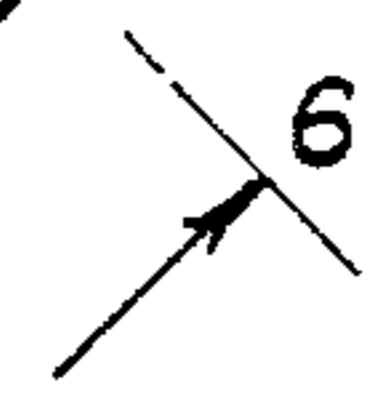
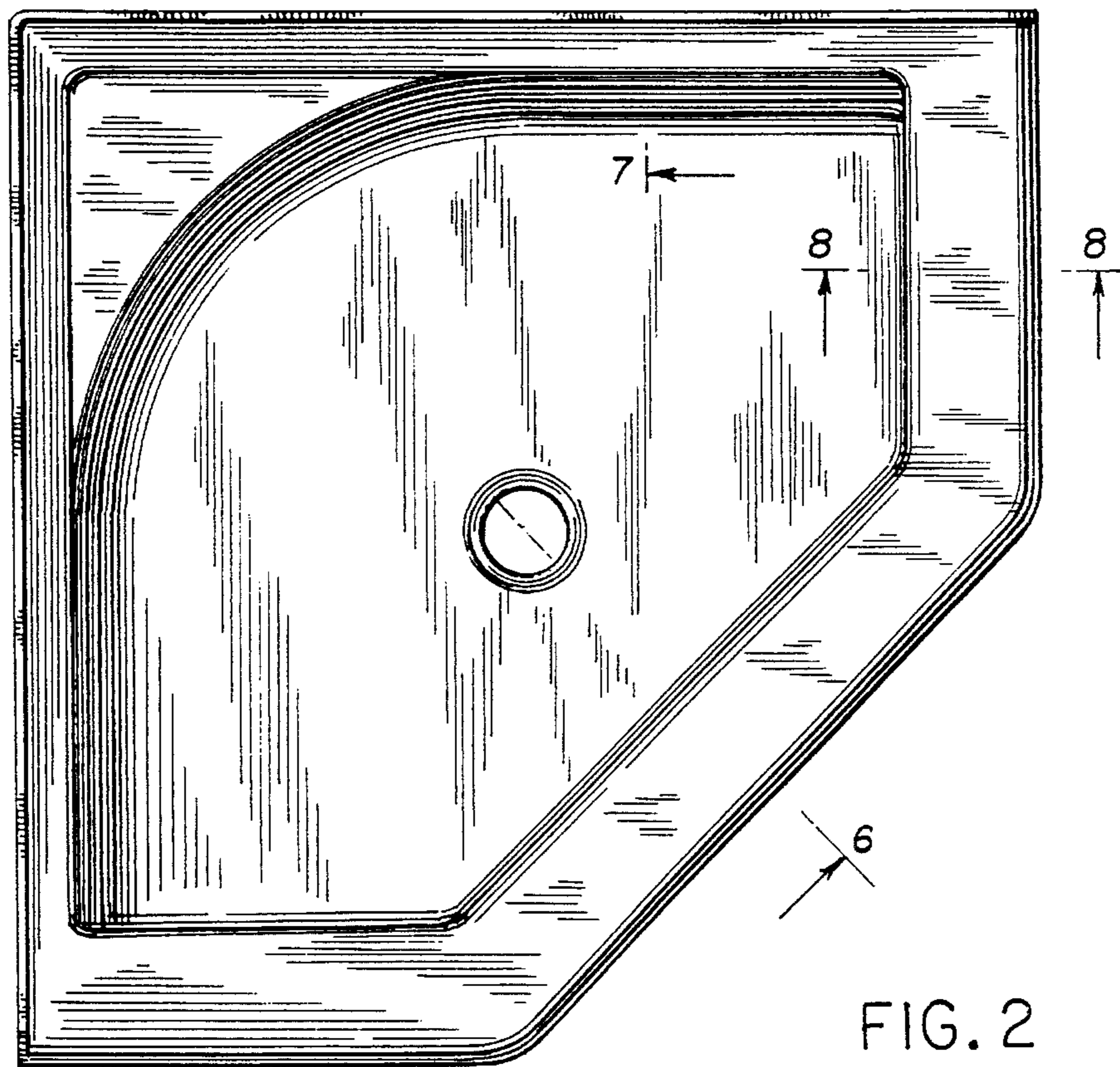
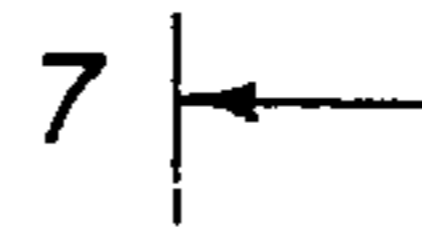
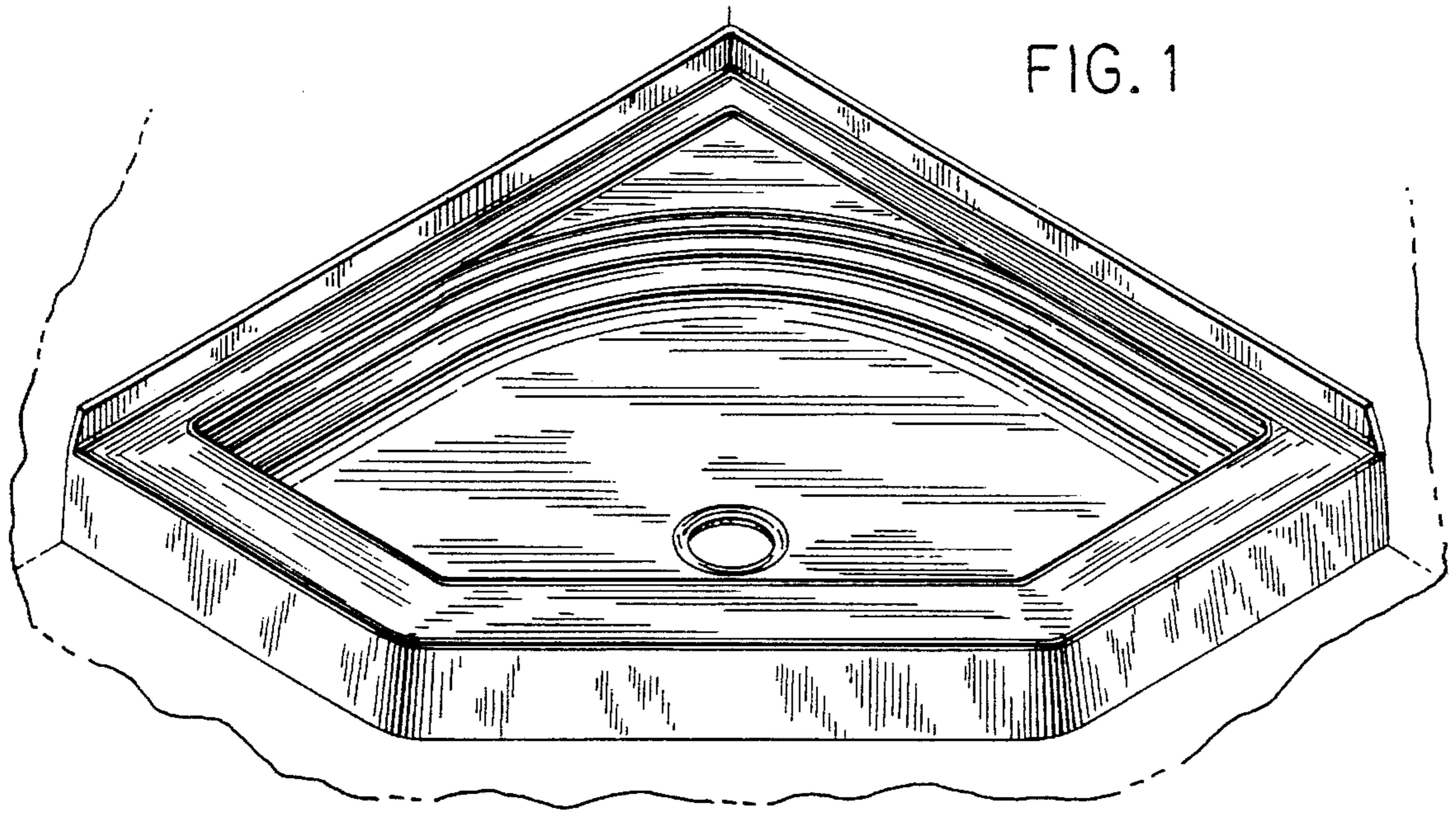


FIG. 2

FIG. 3

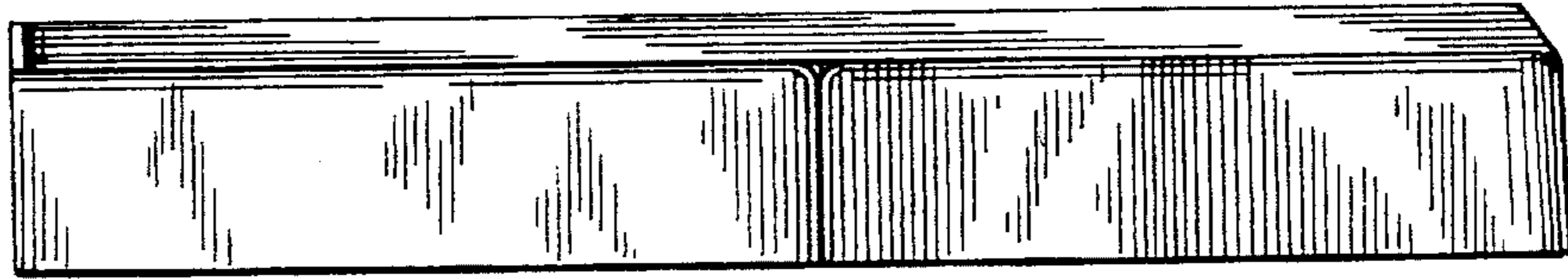


FIG. 4

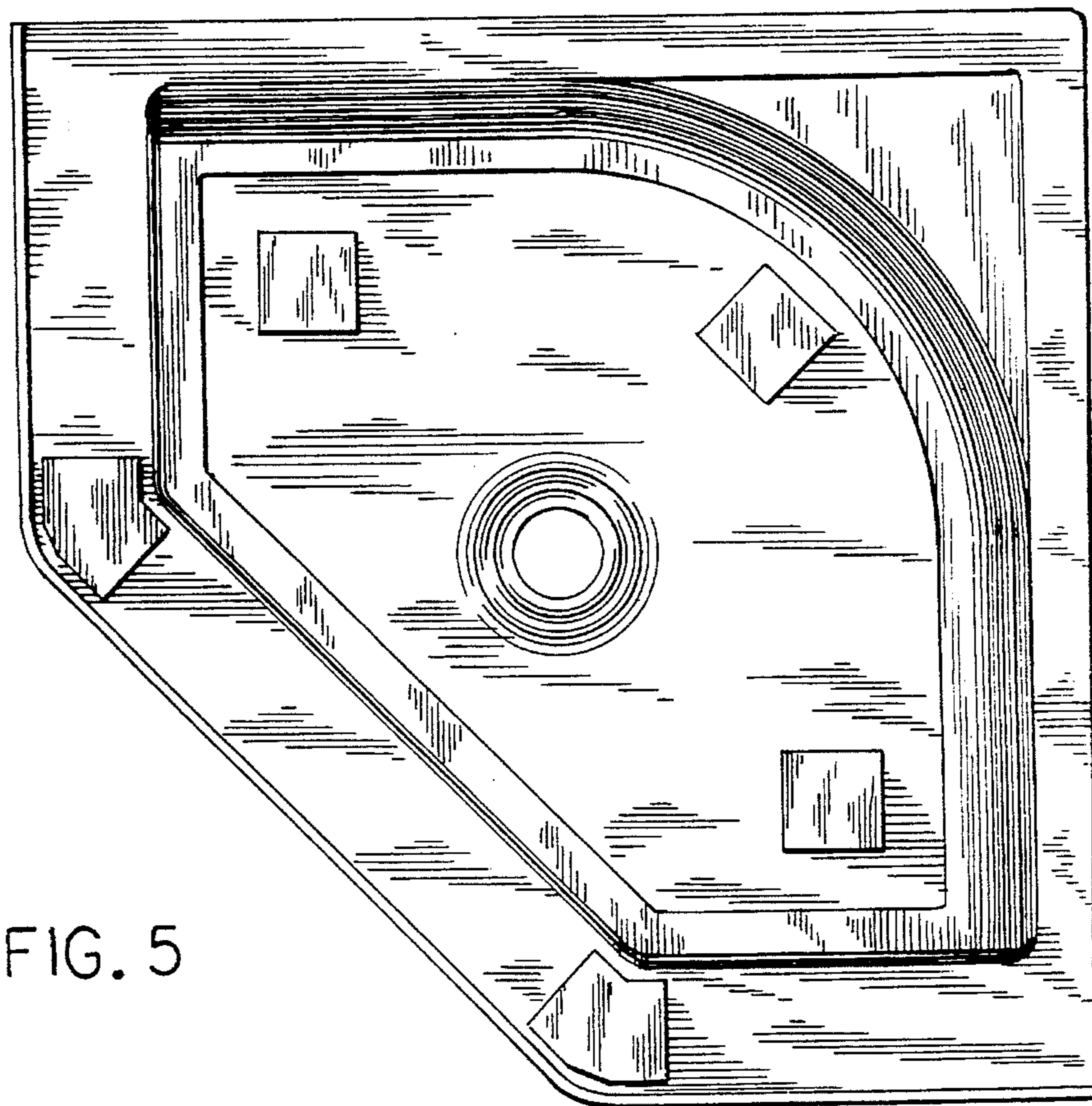
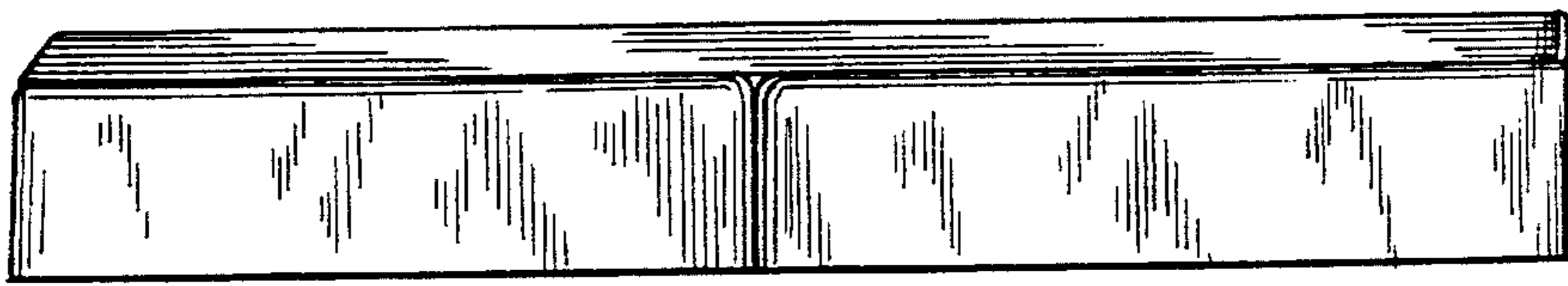


FIG. 5



FIG. 6

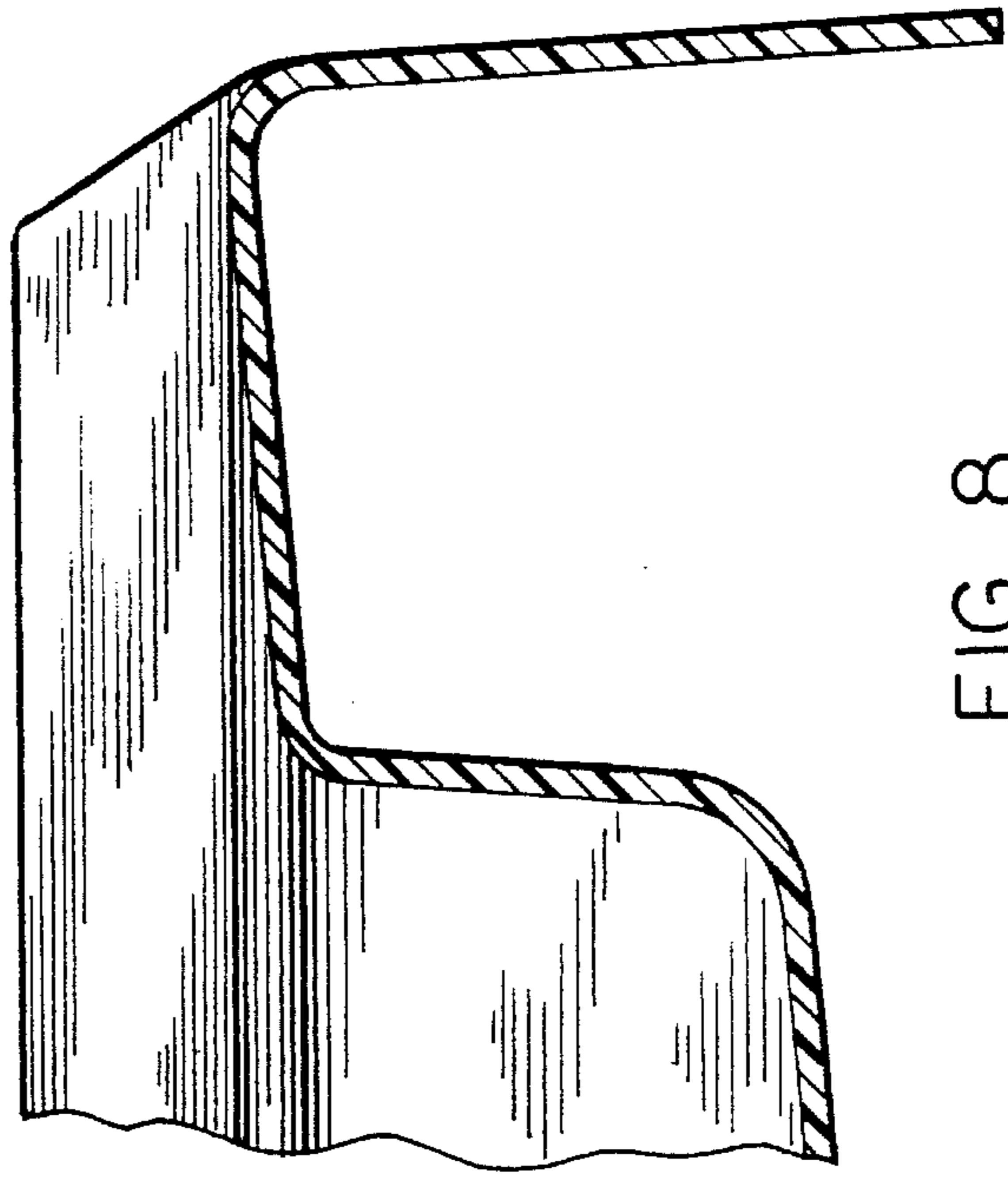
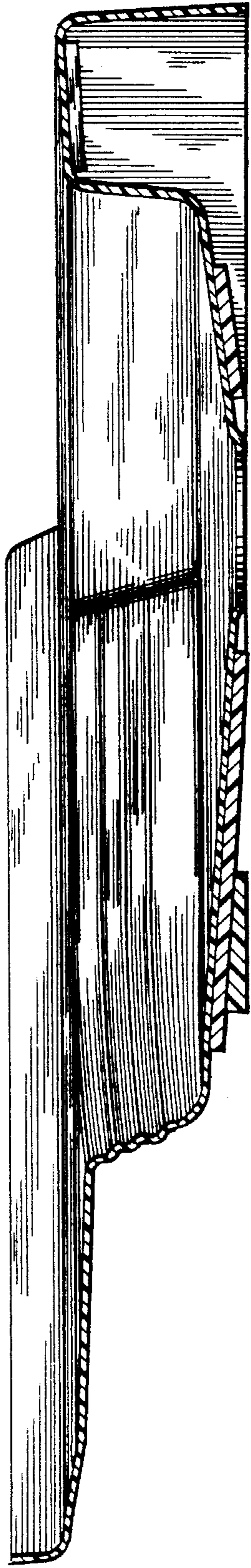


FIG. 8

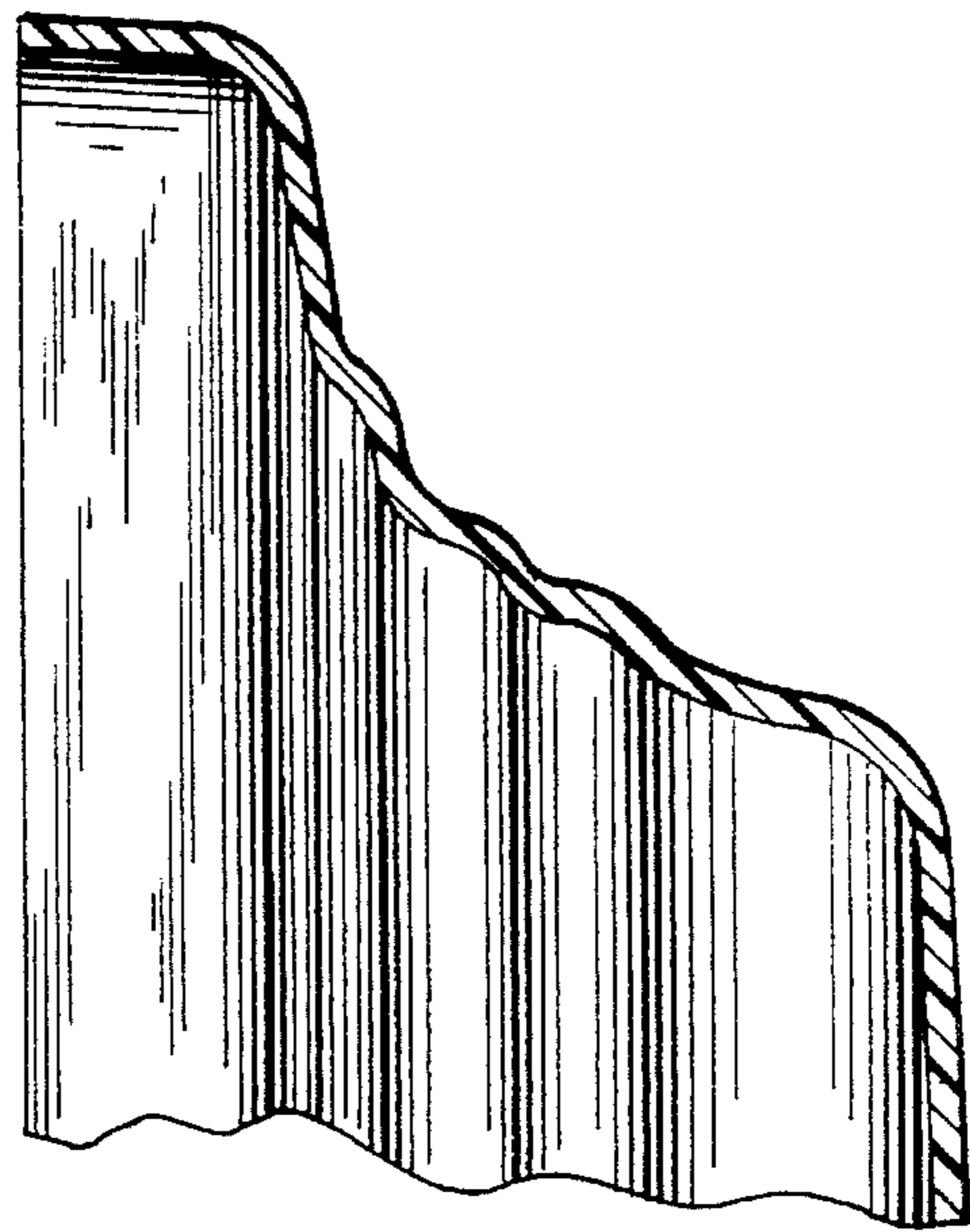


FIG. 7

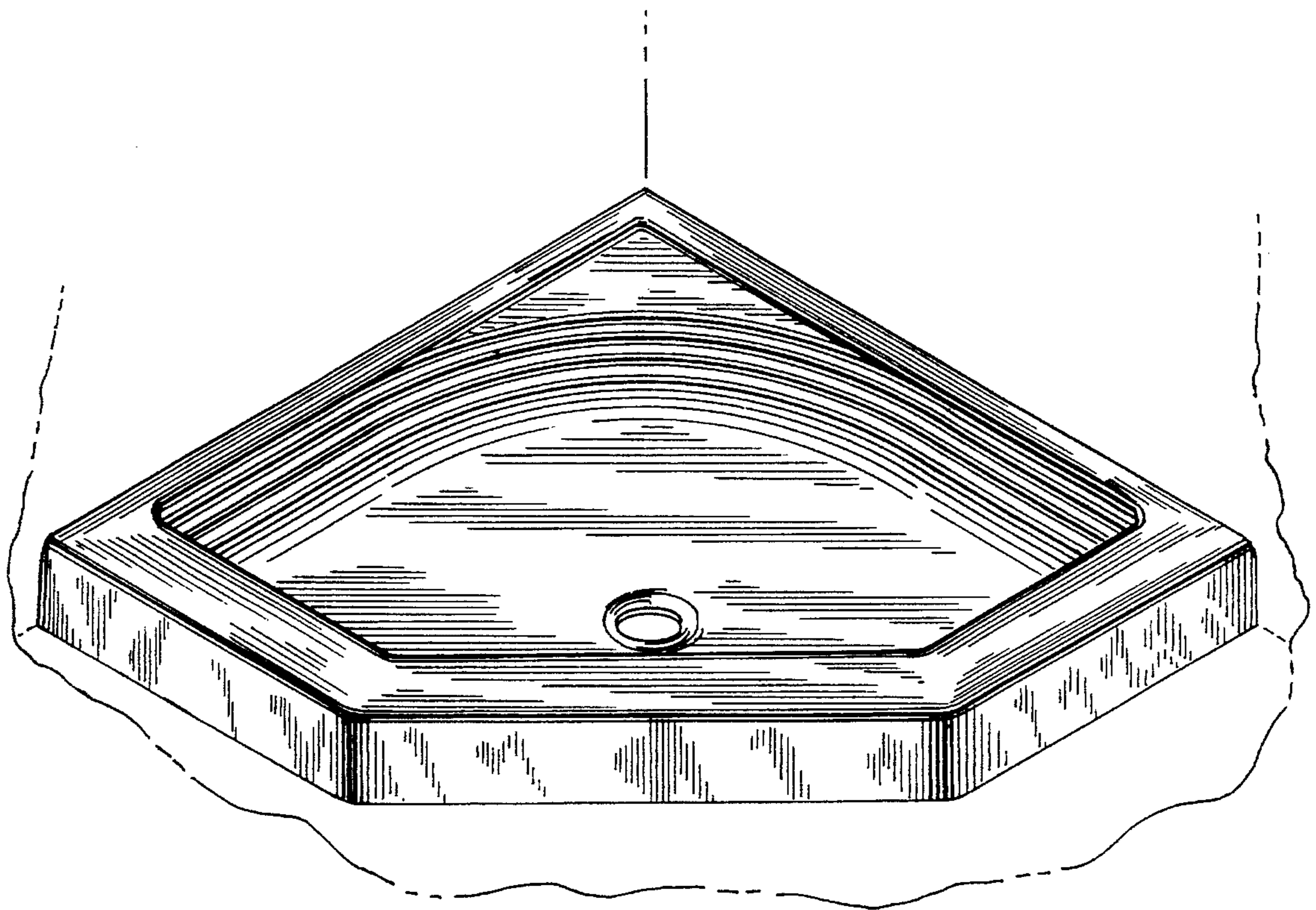


FIG. 9

UNITED STATES PATENT AND TRADEMARK OFFICE  
**CERTIFICATE OF CORRECTION**

PATENT NO. : Des. 363,342  
DATED : October 17, 1995  
INVENTOR(S) : Todd D. Dannenberg, et al.

It is certified that error appears in the above-identified patent and that said Letters Patent is hereby corrected as shown below:

TITLE PAGE

Under "OTHER PUBLICATIONS", line 6, after "38" --"-- should be added.

Under "DESCRIPTION", lines 29-31 should be moved to line 9, before "[57] Claim".

Signed and Sealed this  
Fourteenth Day of May, 1996

Attest:



BRUCE LEHMAN

Attesting Officer

Commissioner of Patents and Trademarks