



US00D363341S

United States Patent [19] Starck

[11] **Patent Number:** **Des. 363,341**
[45] **Date of Patent:** ****Oct. 17, 1995**

[54] **HAND SHOWER**

[75] Inventor: **Philippe Starck**, Montfort L'Amaury,
France

[73] Assignee: **Hans Grohe GmbH & Co. KG**,
Germany

[**] Term: **14 Years**

[21] Appl. No.: **26,713**

[22] Filed: **Aug. 4, 1994**

[30] **Foreign Application Priority Data**

Feb. 8, 1994 [DE] Germany 94 01 185.0

[52] **U.S. Cl.** **D23/223**

[58] **Field of Search** D23/213, 223-229;
239/394, 282, 268, 456-460, 443-449,
390-391, 380-383, 562-567; 4/567, 570,
596, 615

[56] **References Cited**

U.S. PATENT DOCUMENTS

D. 251,678 4/1979 Kwan D23/223

D. 330,068 10/1992 Haug et al. D23/223
D. 337,810 7/1993 Bengtson et al. D23/223
D. 339,627 9/1993 Klose D23/223

Primary Examiner—A. Hugo Word
Assistant Examiner—Robin V. Taylor
Attorney, Agent, or Firm—Eckert Seamans Cherin & Mellott

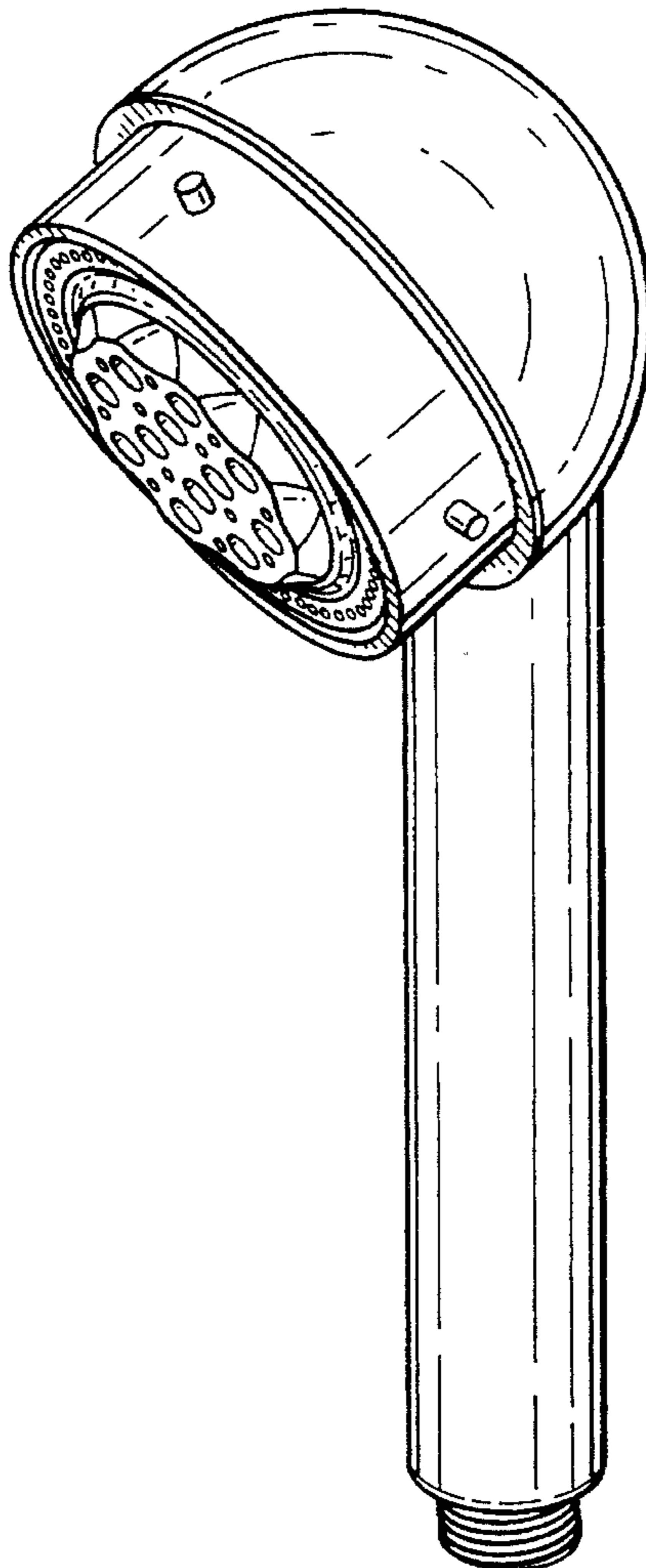
[57] **CLAIM**

The ornamental design for a hand shower, as shown and described.

DESCRIPTION

FIG. 1 is a right, front perspective view of a hand shower showing my new design;
FIG. 2 is a front elevation view thereof;
FIG. 3 is a right side elevation view thereof;
FIG. 4 is a top plan view thereof;
FIG. 5 is a rear elevation view thereof;
FIG. 6 is a left side elevation view thereof; and,
FIG. 7 is a bottom plan view thereof.

1 Claim, 3 Drawing Sheets



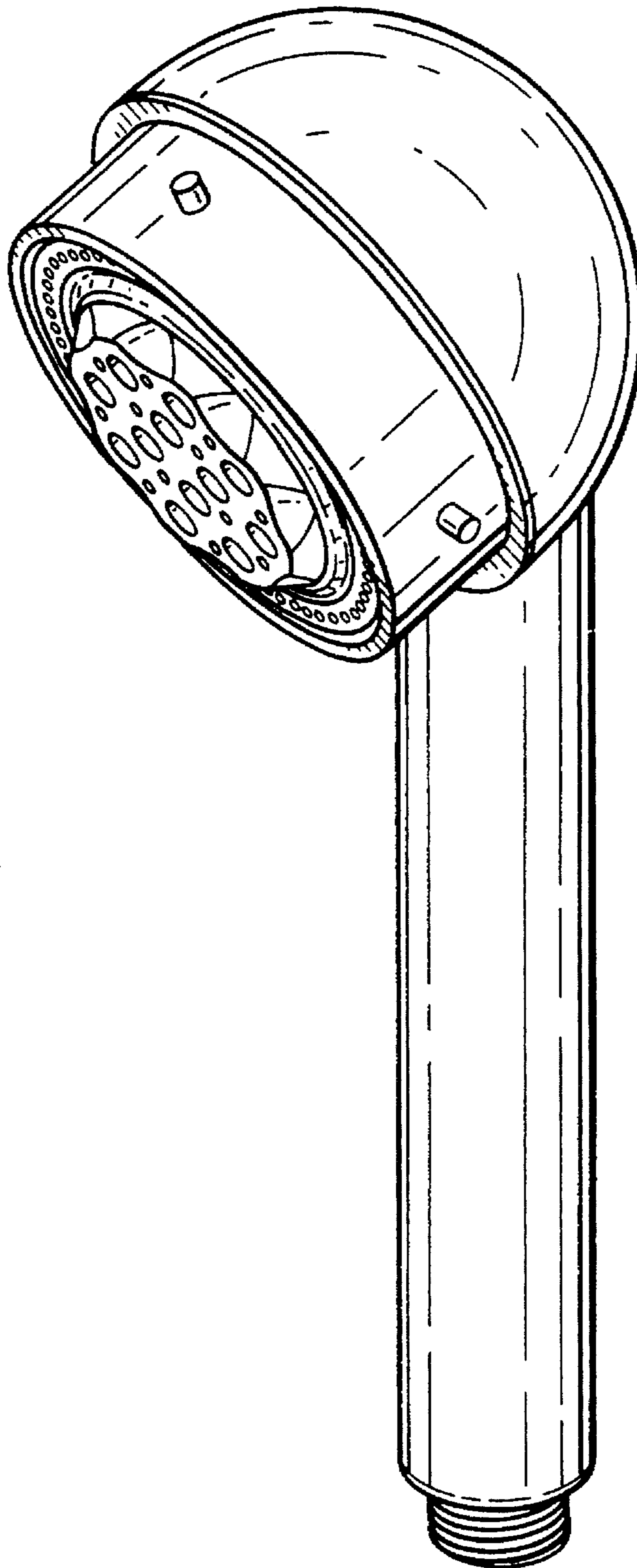


Fig. 1

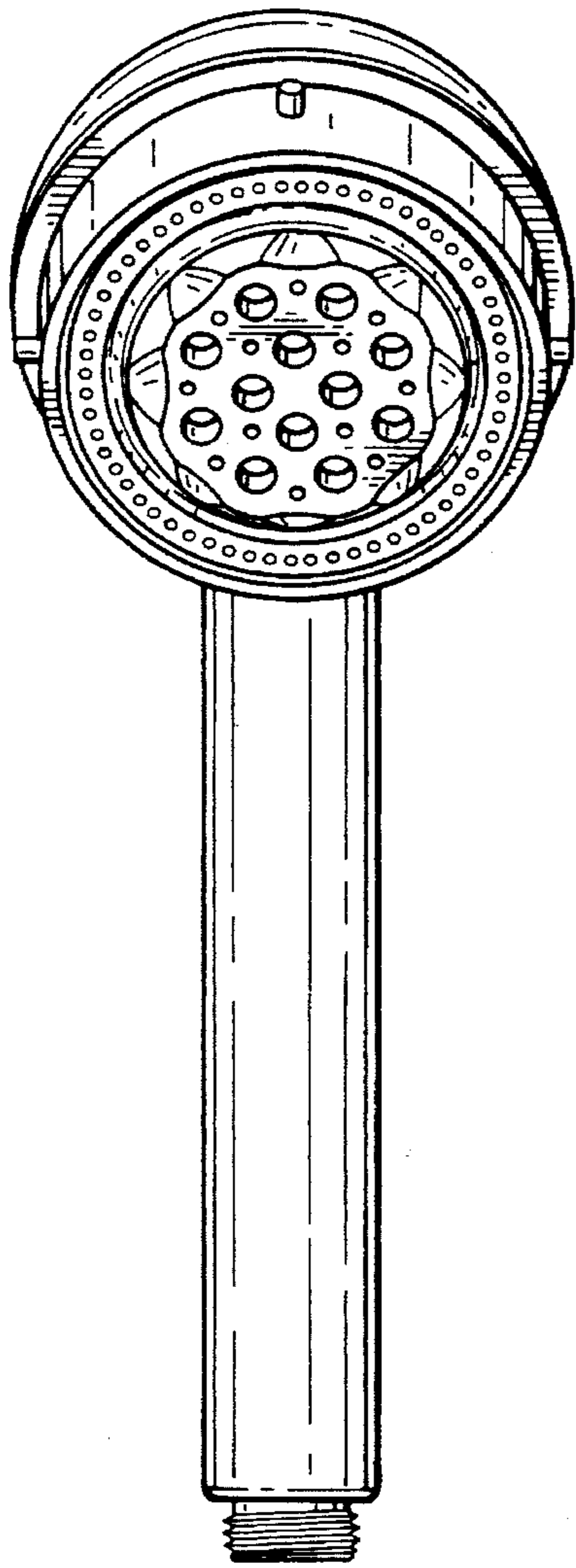


Fig. 2

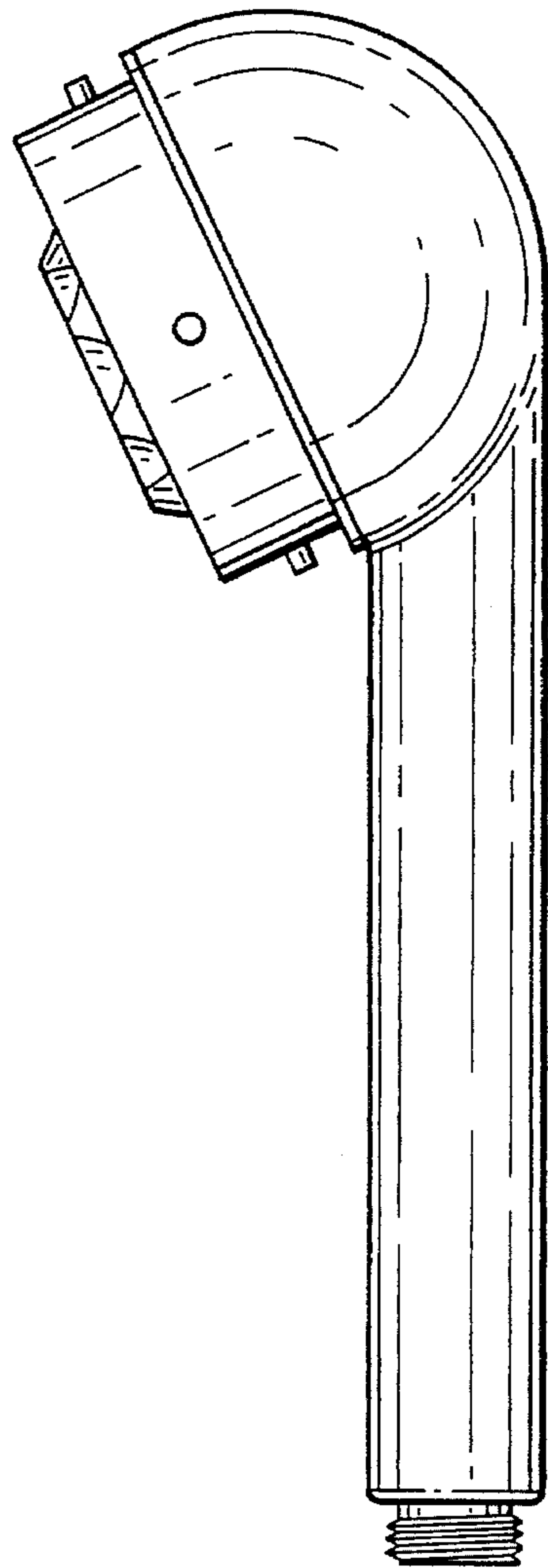


Fig. 3

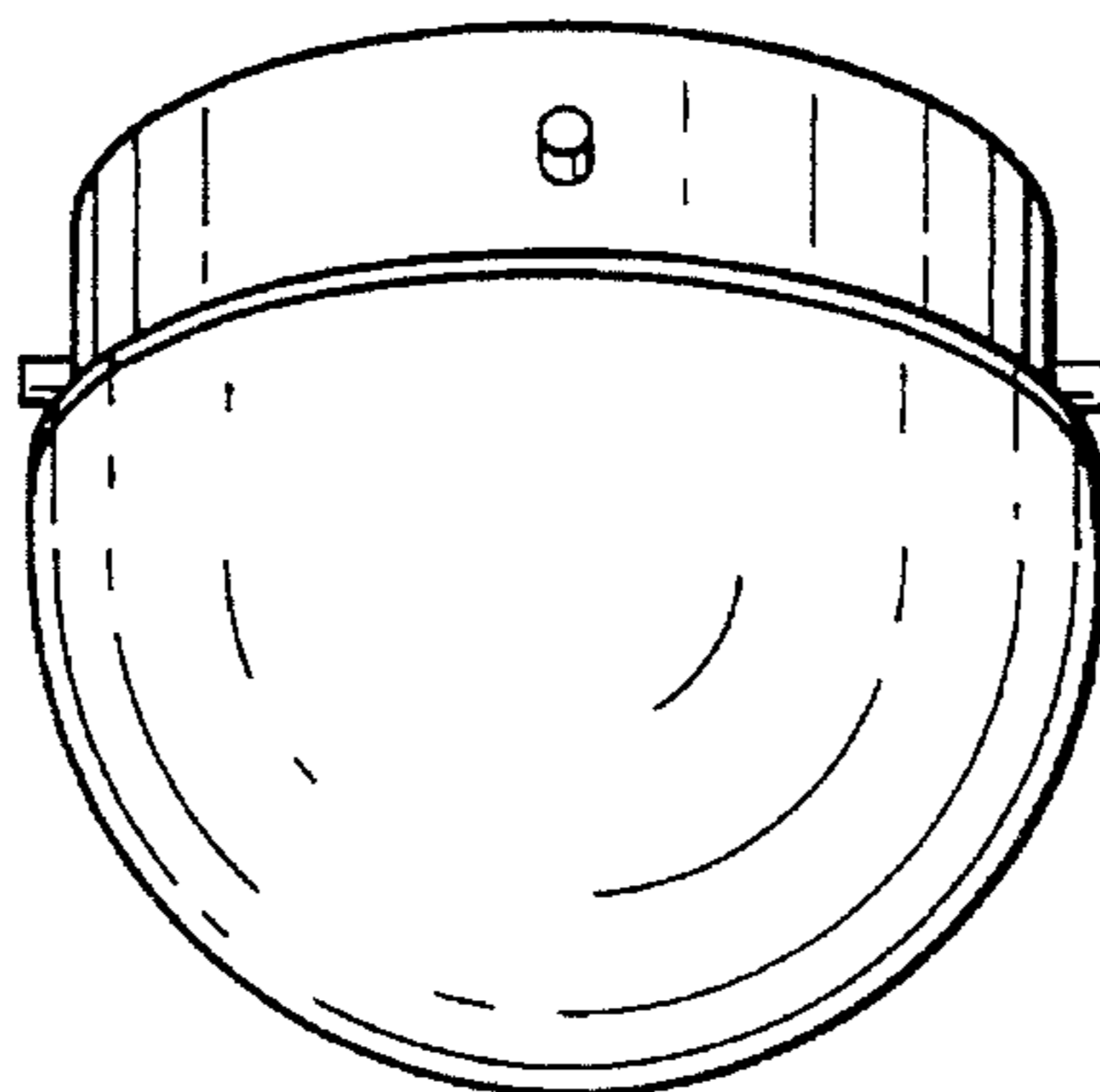


Fig. 4

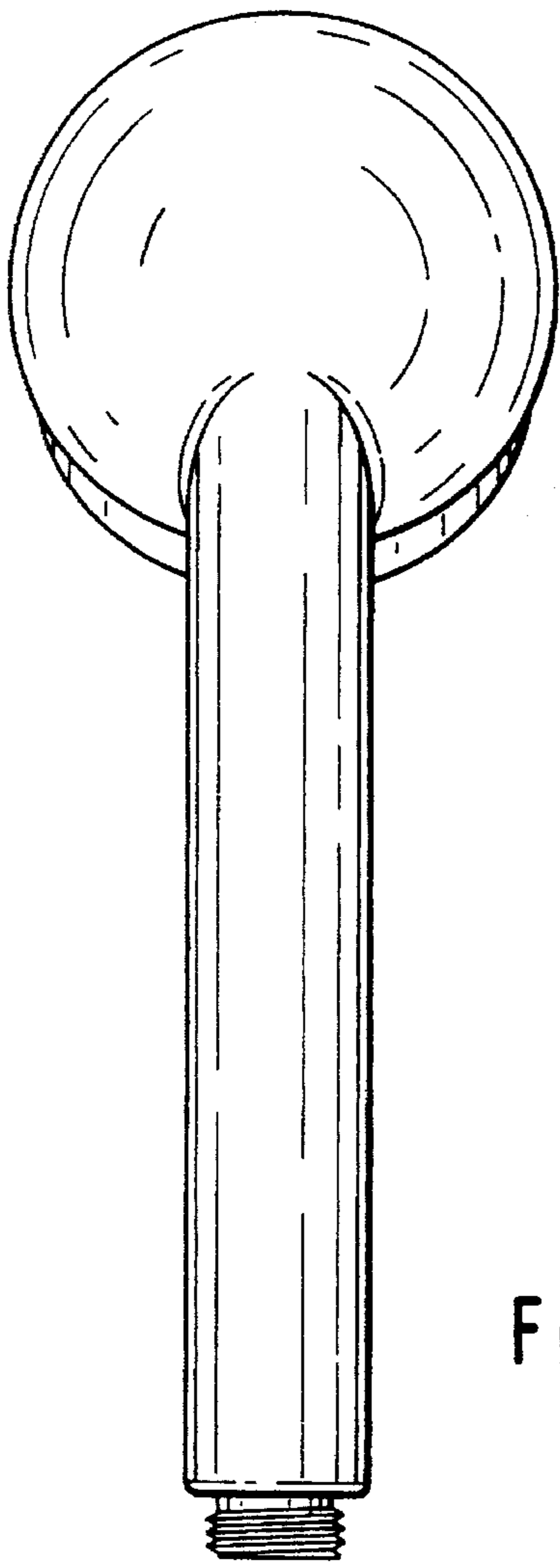


Fig. 5

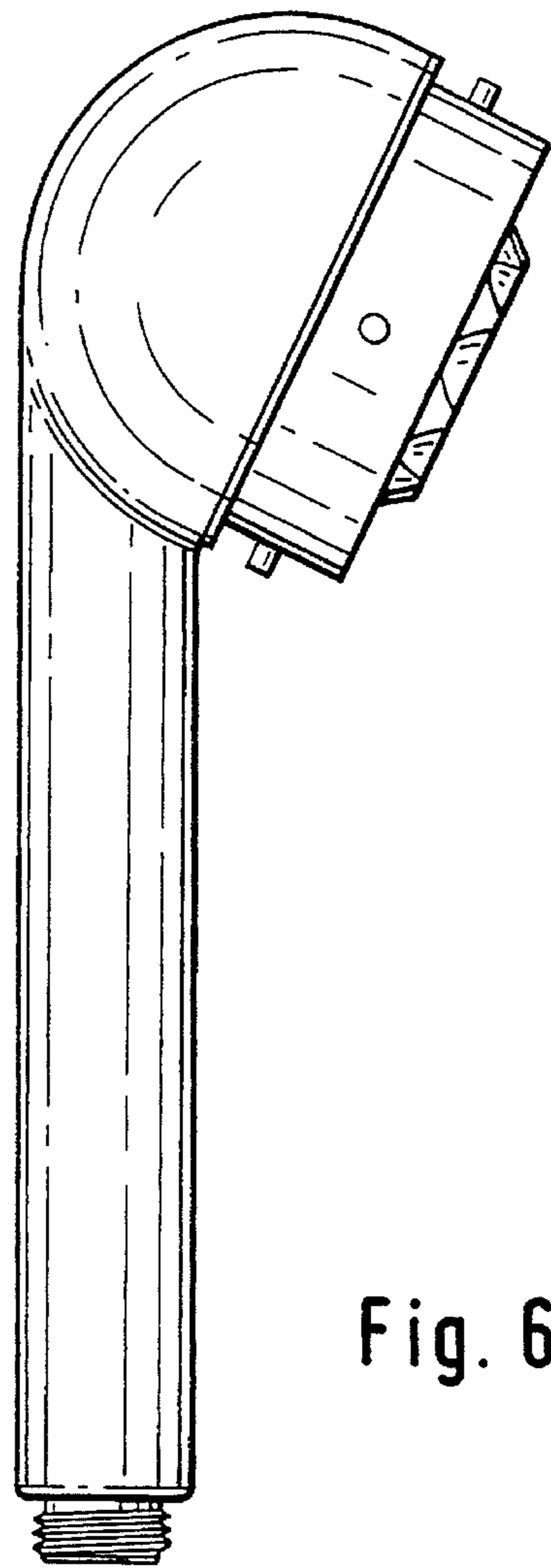


Fig. 6

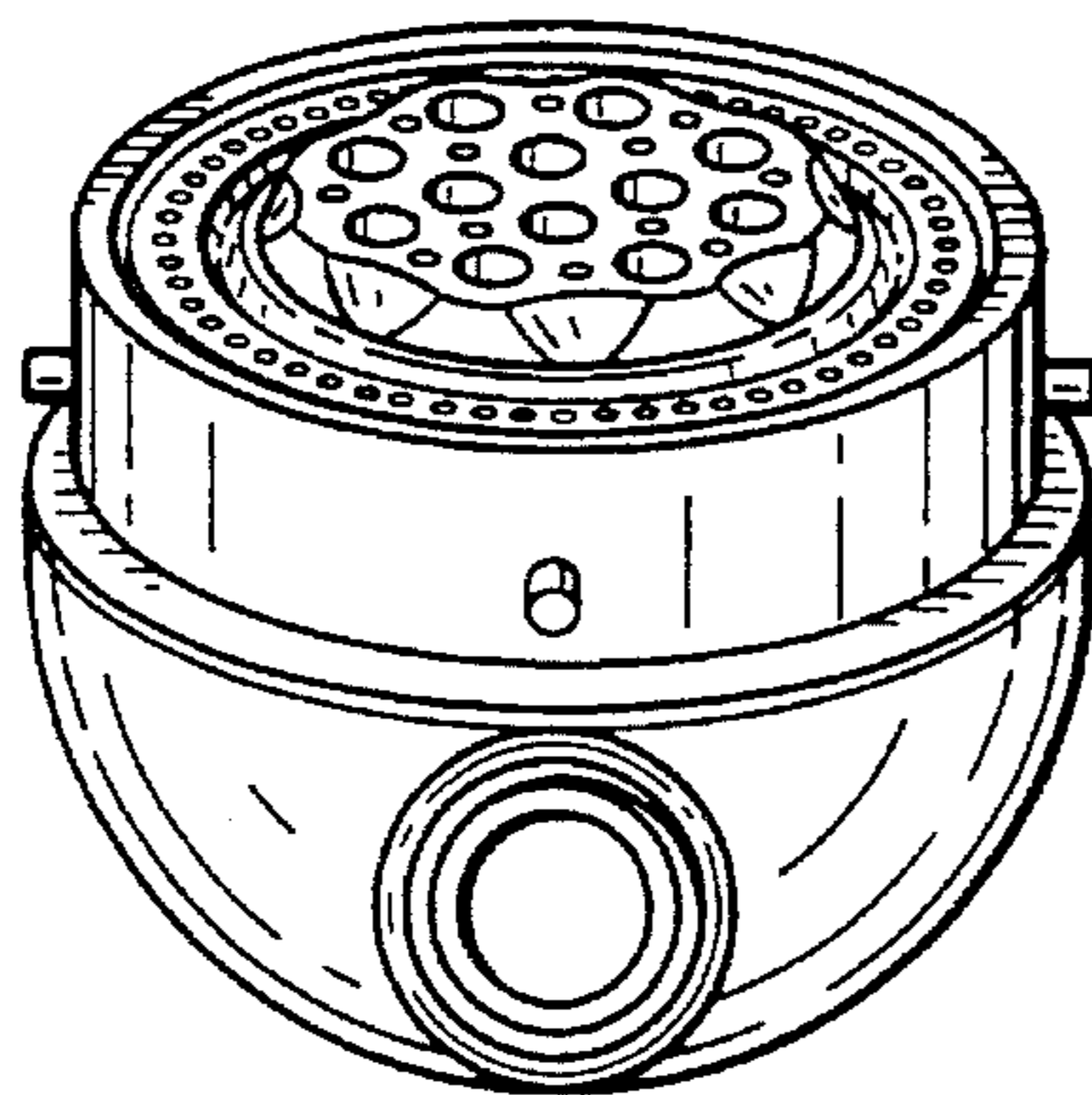


Fig. 7

UNITED STATES PATENT AND TRADEMARK OFFICE
CERTIFICATE OF CORRECTION

PATENT NO. : Des. 363,341
DATED : October 17, 1995
INVENTOR(S) : Starck

It is certified that error appears in the above-identified patent and that said Letters Patent is hereby corrected as shown below:

On the title page, under Other Prior Art, insert:

-- Product Catalog of ALOYS F. DORNBRACHT GmbH & Co., KG, of Germany, the catalog having a publication date at least as early as November 13, 1992 (e.g., press release date). --

Signed and Sealed this
Ninth Day of July, 1996



BRUCE LEHMAN

Attest:

Attesting Officer

Commissioner of Patents and Trademarks