



US00D363334S

**United States Patent** [19]  
**De Oliveira Masina**

[11] **Patent Number: Des. 363,334**  
[45] **Date of Patent: \*\*Oct. 17, 1995**

[54] **REAR SIGHT FOR A PISTOL**  
[75] Inventor: **Ezio R. De Oliveira Masina**, Porto Alegre, Brazil

D. 305,146 12/1989 Novak ..... D22/109  
2,610,406 9/1952 Chambers ..... 33/251  
3,090,123 5/1963 Barnes ..... 33/233

[73] Assignee: **Forjas Taurus S/A**, Porto Alegre, Brazil

**OTHER PUBLICATIONS**

Police Magazine, Dec. 1992, p. 73 Trijicon Night Sight.

[\*\*] Term: **14 Years**

*Primary Examiner*—Doris V. Coles  
*Attorney, Agent, or Firm*—McGlew and Tuttle

[21] Appl. No.: **8,178**

[57] **CLAIM**

[22] Filed: **May 10, 1993**

The ornamental design for a rear sight for a pistol, as shown and described.

[30] **Foreign Application Priority Data**

**DESCRIPTION**

Nov. 10, 1992 [BR] Brazil ..... MI 5201149

[52] **U.S. Cl.** ..... **D22/109**

[58] **Field of Search** ..... D22/109, 110;  
42/100, 101, 102; 33/233, 241, 243, 252-261

FIG. 1 is a view in front perspective showing my design for a rear sight for a pistol, the pistol slide shown forming no part of my design;

FIG. 2 is a view in left side elevation, the right side being a mirror image thereof;

FIG. 3 is a top plan view thereof, the bottom view is plain and unadorned;

FIG. 4 is a front view hereof; and,

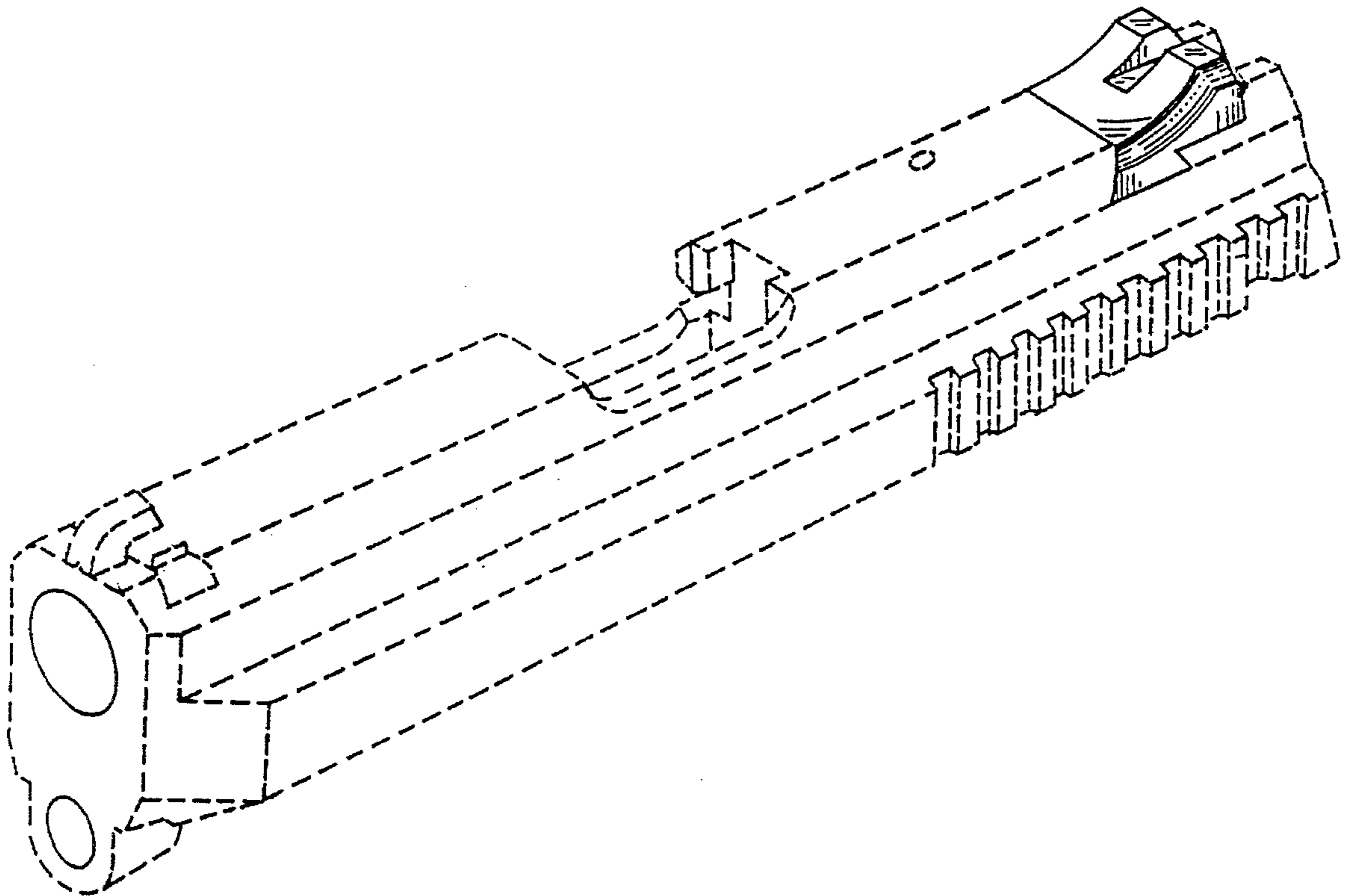
FIG. 5 is a back view thereof.

[56] **References Cited**

**U.S. PATENT DOCUMENTS**

D. 273,217 3/1984 Swenson ..... D22/109  
D. 296,227 6/1988 Novak ..... D22/109  
D. 301,512 6/1989 Novak ..... D22/109

**1 Claim, 3 Drawing Sheets**



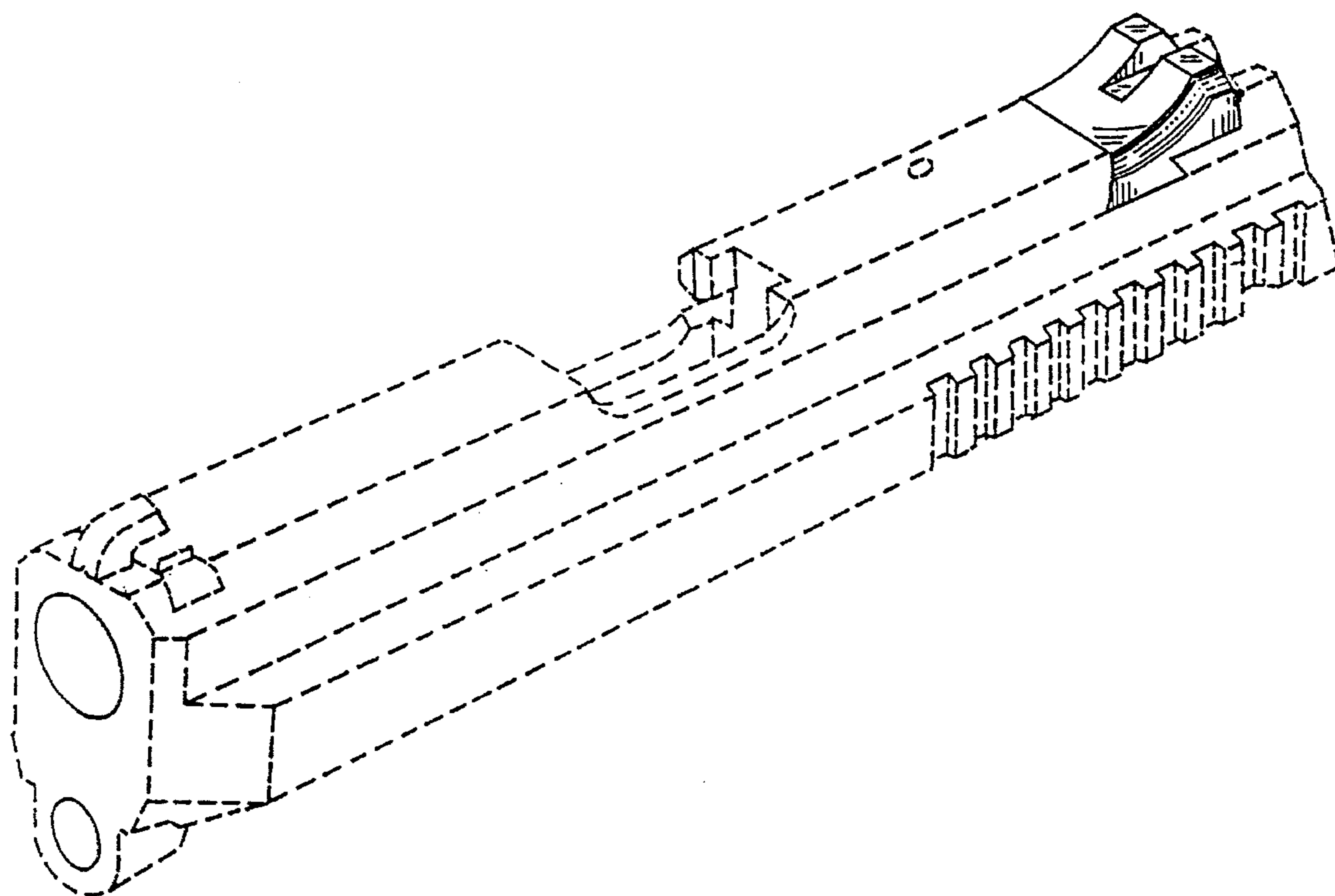


FIG. 1

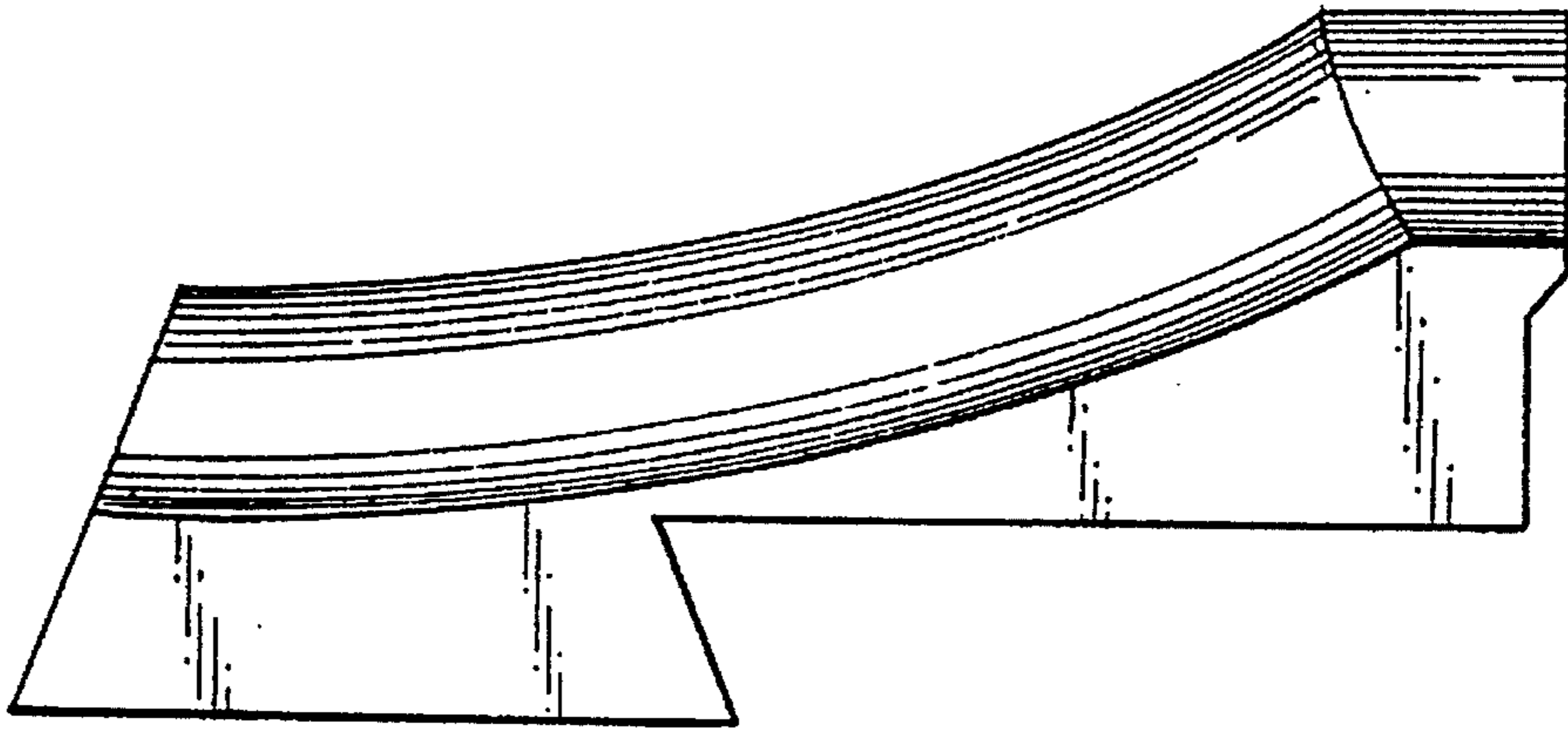


FIG. 2

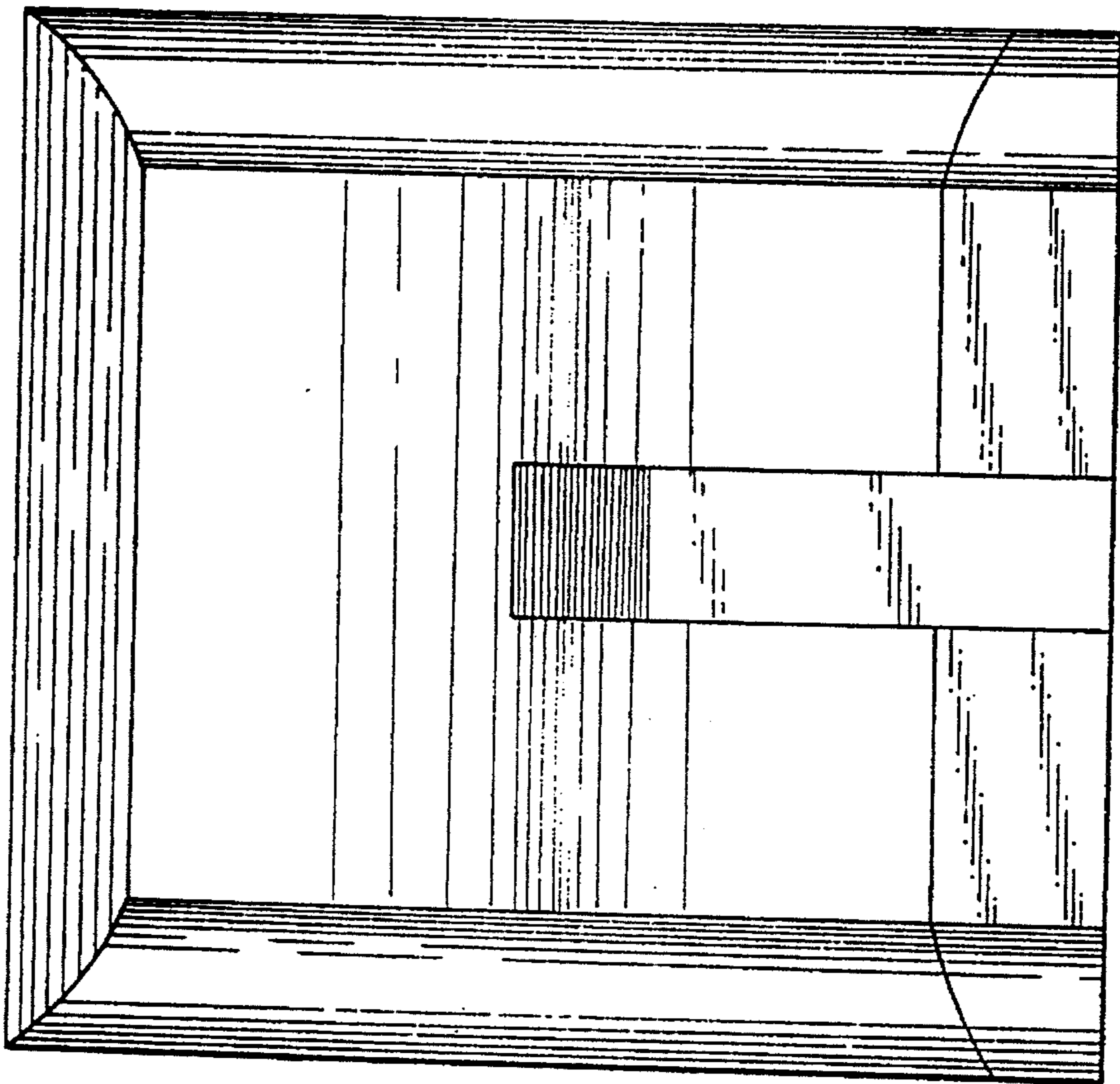


FIG. 3

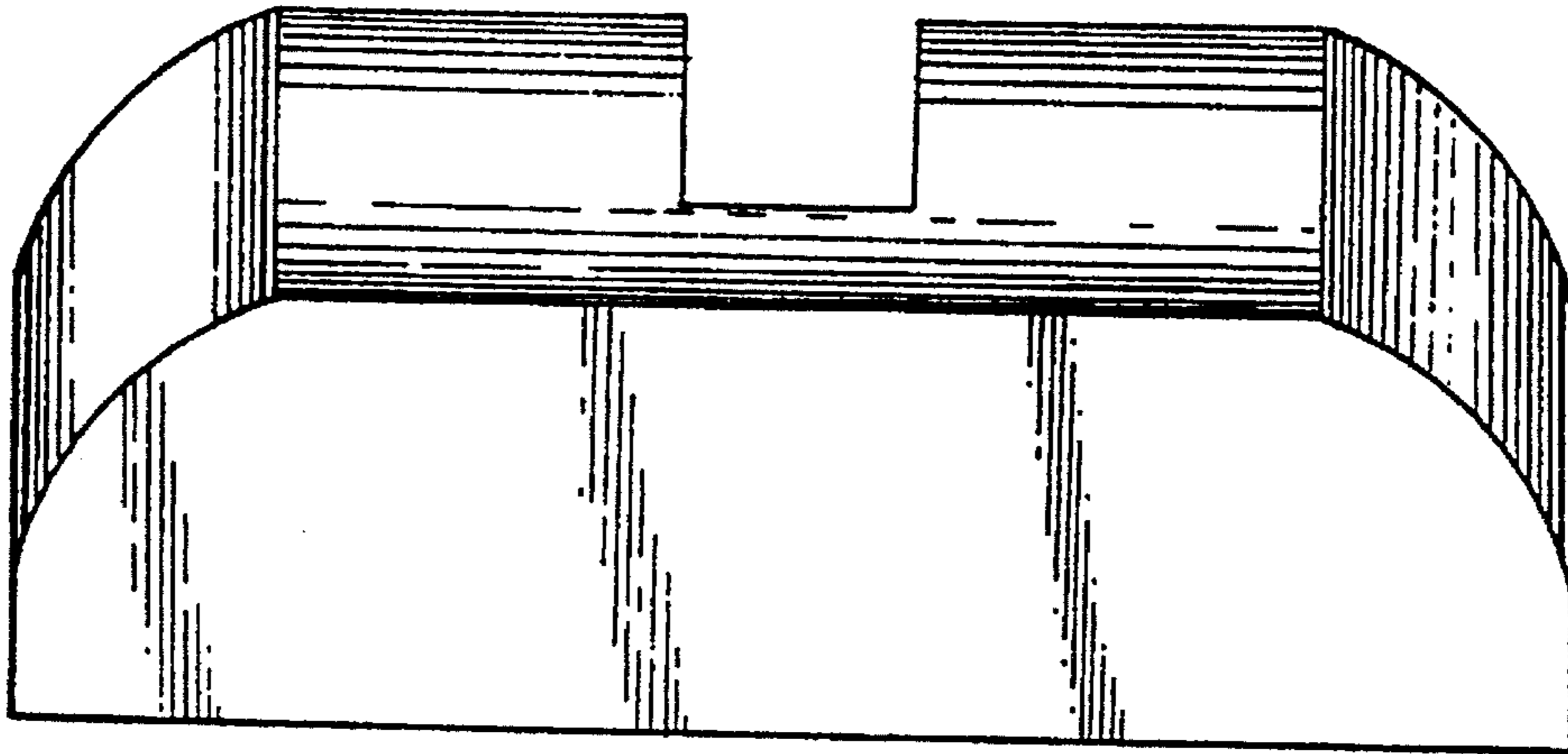


FIG. 4

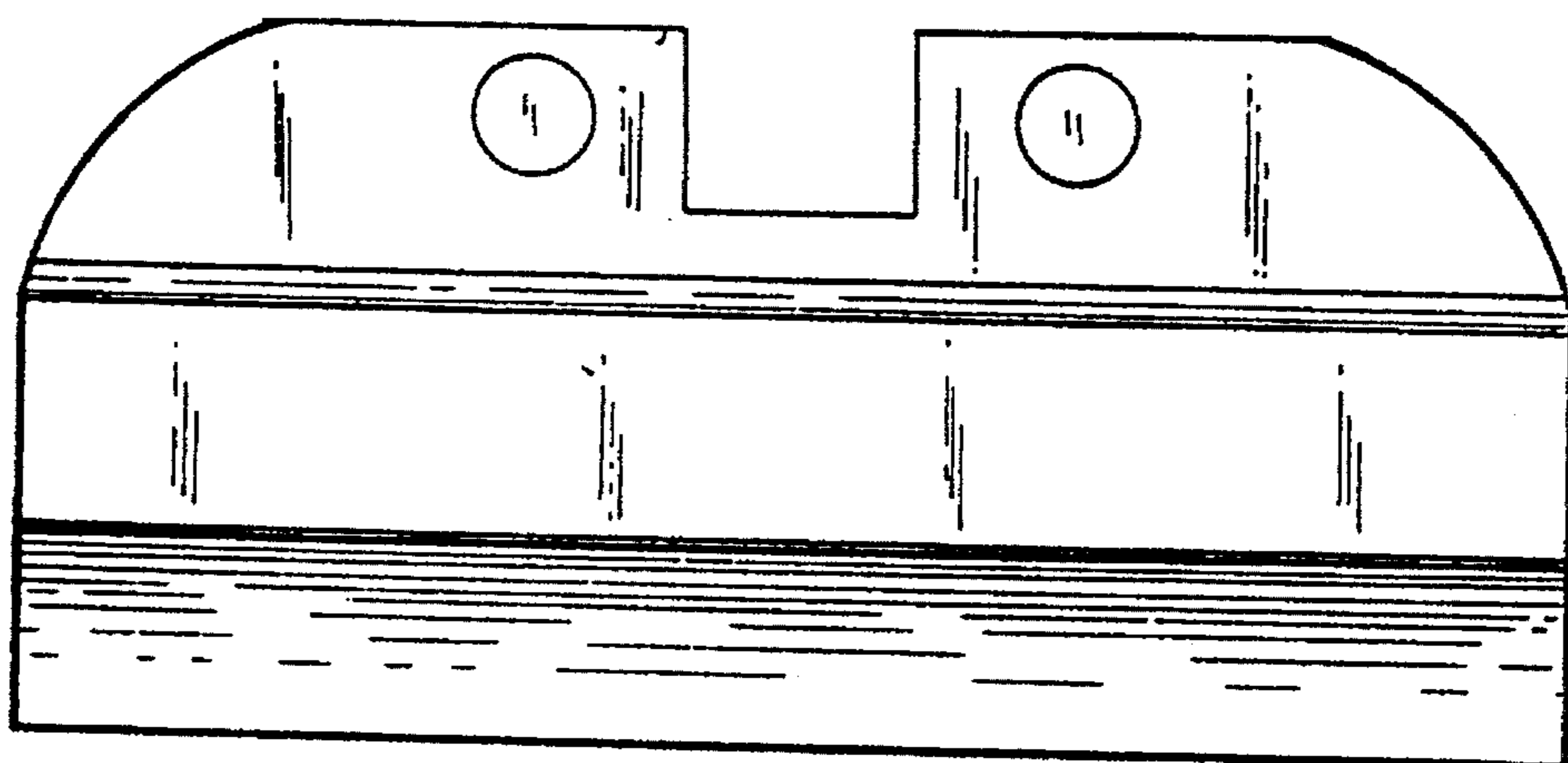


FIG. 5