



US00D363333S

**United States Patent** [19]  
**Giberson**

[11] **Patent Number: Des. 363,333**

[45] **Date of Patent: \*\*Oct. 17, 1995**

[54] **FIREARM CHAMBER SAFETY PLUG**

[76] Inventor: **Robert F. Giberson**, 4000 Kasper Dr.,  
Orlando, Fla. 32806

[\*\*] Term: **14 Years**

[21] Appl. No.: **36,739**

[22] Filed: **Mar. 27, 1995**

[52] U.S. Cl. .... **D22/108**

[58] Field of Search ..... D22/108; 42/70.1,  
42/70.07, 70.11, 66, 79, 90

[56] **References Cited**

**U.S. PATENT DOCUMENTS**

2,624,148	1/1953	Graybill .....	42/79 X
2,836,918	6/1958	Pula et al. ....	42/70.01 X
3,360,880	1/1968	Finnegan .....	42/66
4,398,366	8/1983	Wernicki .....	42/70.11
5,357,704	10/1994	Benkovic .....	42/70.11

*Primary Examiner*—Lou Zarfes  
*Assistant Examiner*—Monica A. Hannon  
*Attorney, Agent, or Firm*—William M. Hobby, III

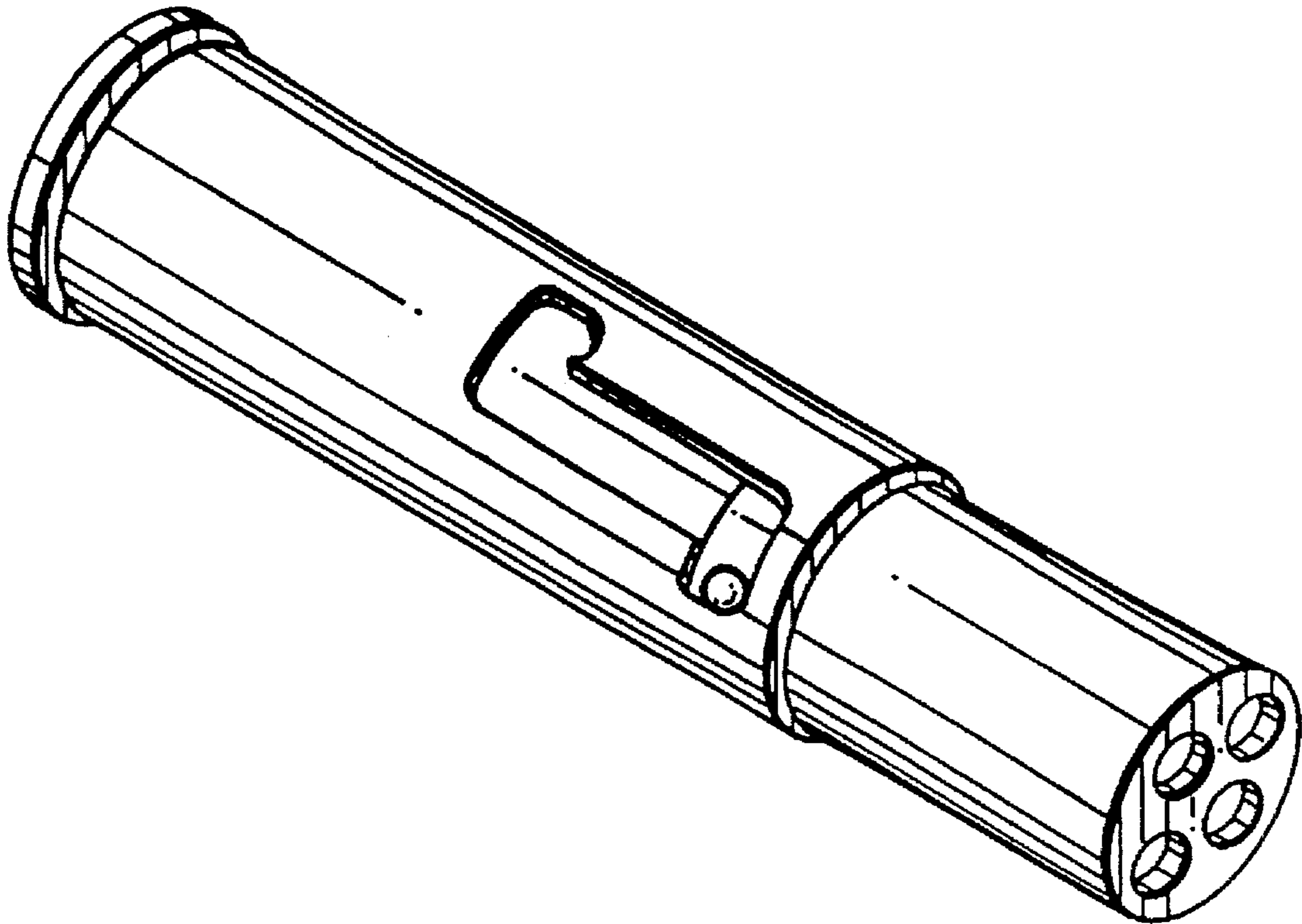
[57] **CLAIM**

The ornamental design for a firearm chamber safety plug, as shown.

**DESCRIPTION**

FIG. 1 is a front perspective view of my new firearm chamber safety plug in an extended position; FIG. 2 is a front perspective view in a retracted position; FIG. 3 is a front elevational view; FIG. 4 is a rear elevational view; FIG. 5 is a left side elevational view; FIG. 6 is a right side elevational view; FIG. 7 is a bottom plan view; and, FIG. 8 is a top plan view.

**1 Claim, 1 Drawing Sheet**



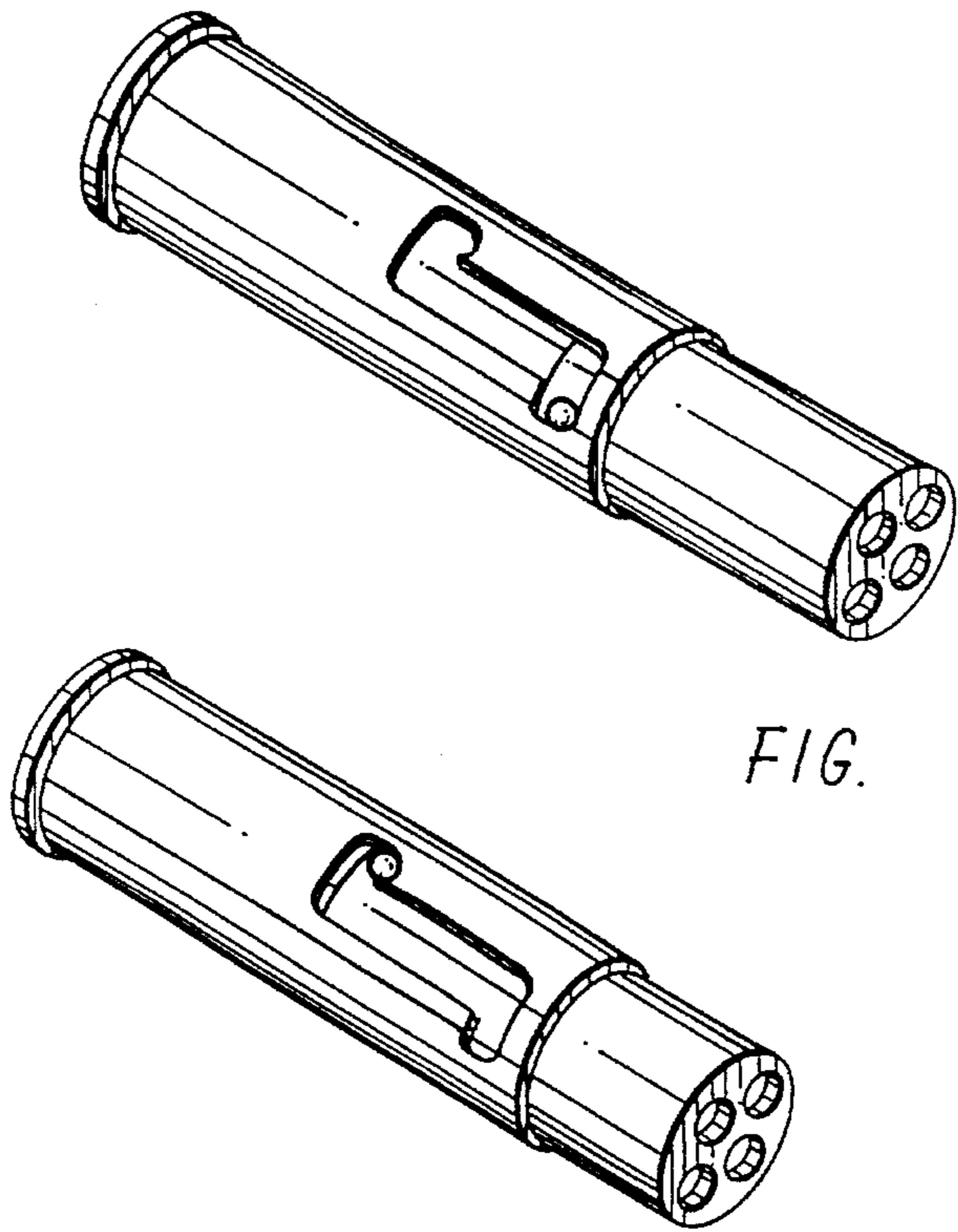


FIG. 1

FIG. 2

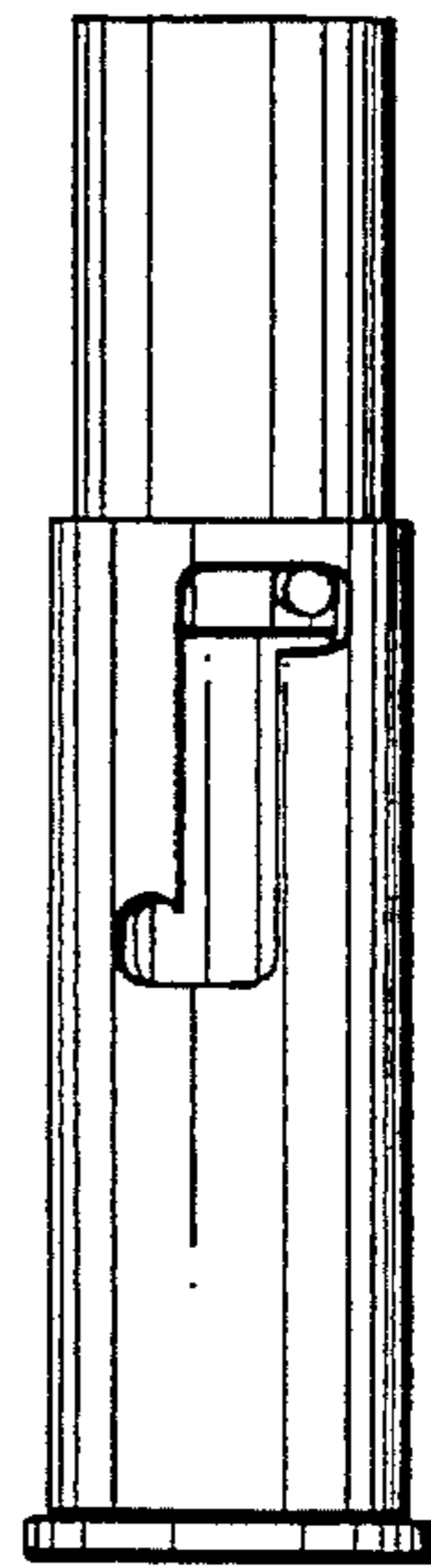


FIG. 3

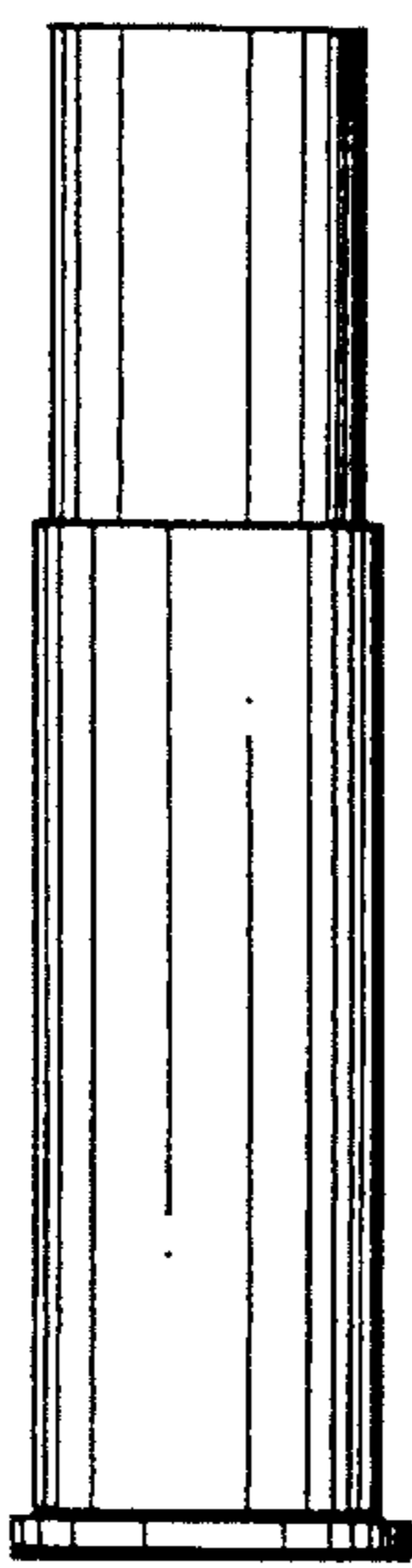


FIG. 4

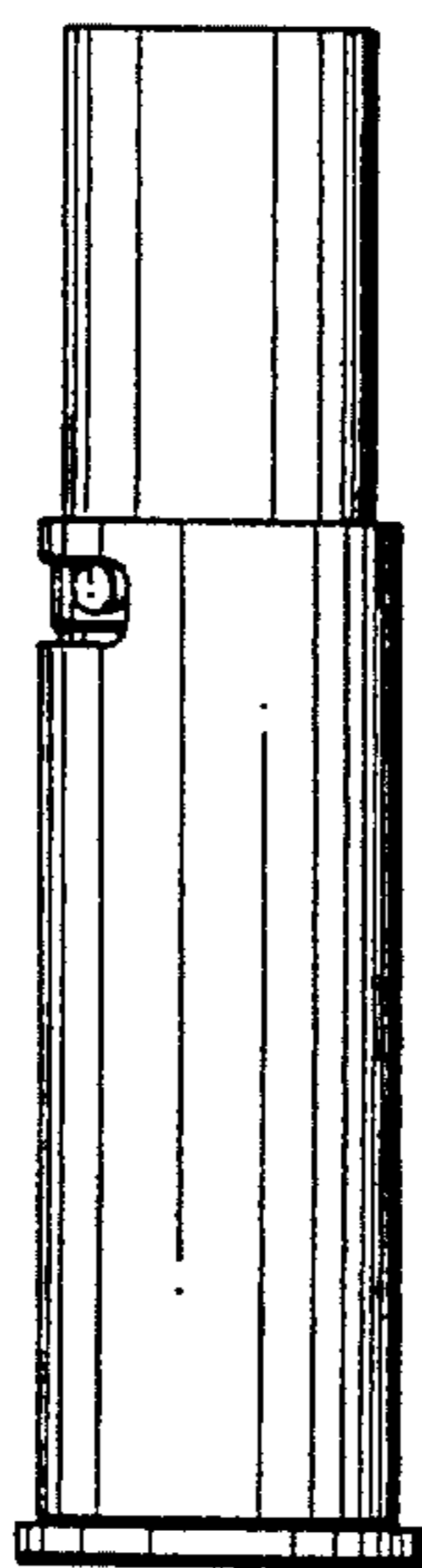


FIG. 5

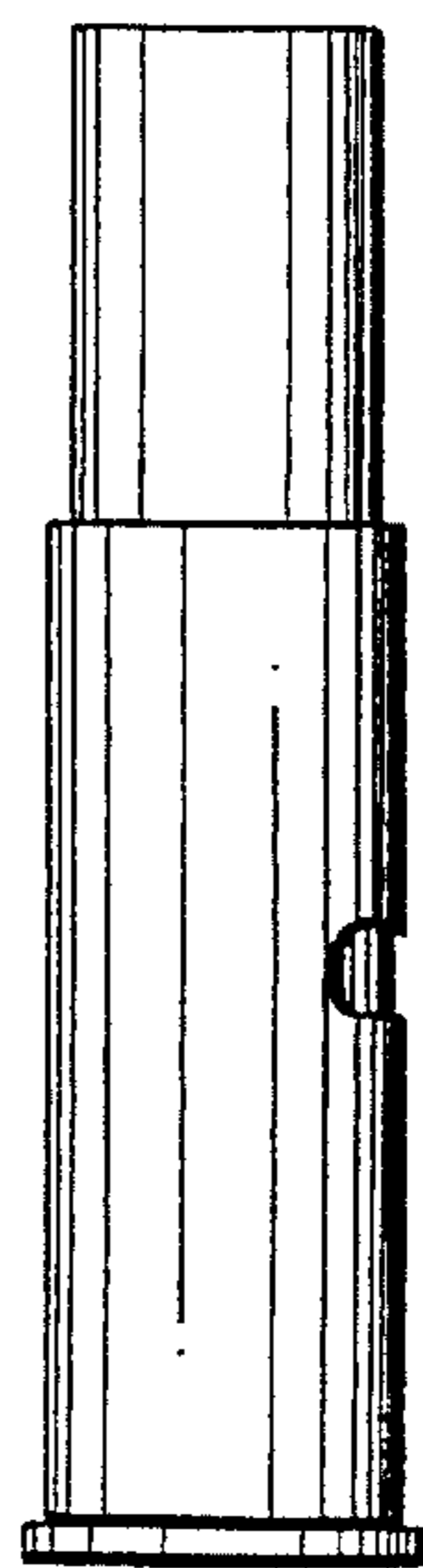


FIG. 6

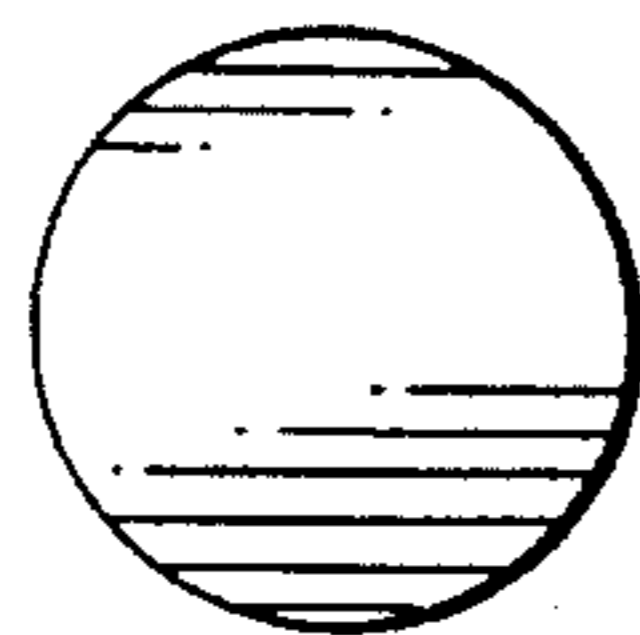


FIG. 7

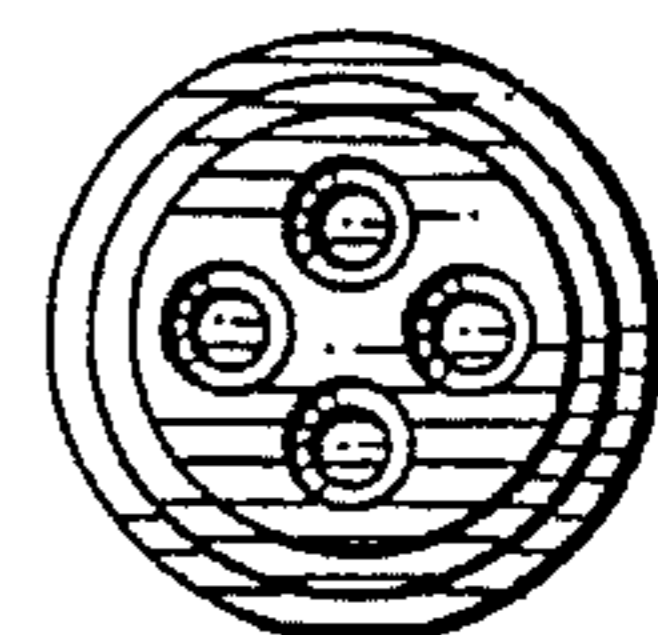


FIG. 8