



US00D363330S

**United States Patent** [19]  
**Greene et al.**

[11] **Patent Number: Des. 363,330**  
[45] **Date of Patent: \*\*Oct. 17, 1995**

[54] **GOLF CLUB PUTTER**

Golf World; Dec. 1987; p. 7; putter middle left of page.

[75] Inventors: **Thomas M. Greene**, Monson, Mass.;  
**Arthur R. Martin**, Westport, Conn.

*Primary Examiner*—Terry A. Wallace  
*Assistant Examiner*—Mitchell I. Siegel

[73] Assignee: **Lisco, Inc.**, Tampa, Fla.

[57] **CLAIM**

[\*\*] Term: **14 Years**

The ornamental design for a golf club putter, as shown and described.

[21] Appl. No.: **18,010**

[22] Filed: **Jan. 26, 1994**

[52] **U.S. Cl.** ..... **D21/219**

[58] **Field of Search** ..... D21/217-219;  
273/164.1, 167-175

**DESCRIPTION**

FIG. 1 is a perspective view of a golf club putter showing our new design;

FIG. 2 is a front view thereof, shown without the shaft and handle for ease of illustration;

FIG. 3 is a top view of FIG. 2;

FIG. 4 is a rear view of FIG. 2;

FIG. 5 is a bottom view of FIG. 2;

FIG. 6 is a left side view of FIG. 2; and,

FIG. 7 is a right side view of FIG. 2.

The broken away section of the shaft on FIG. 1 is due to indeterminate length.

[56] **References Cited**

**U.S. PATENT DOCUMENTS**

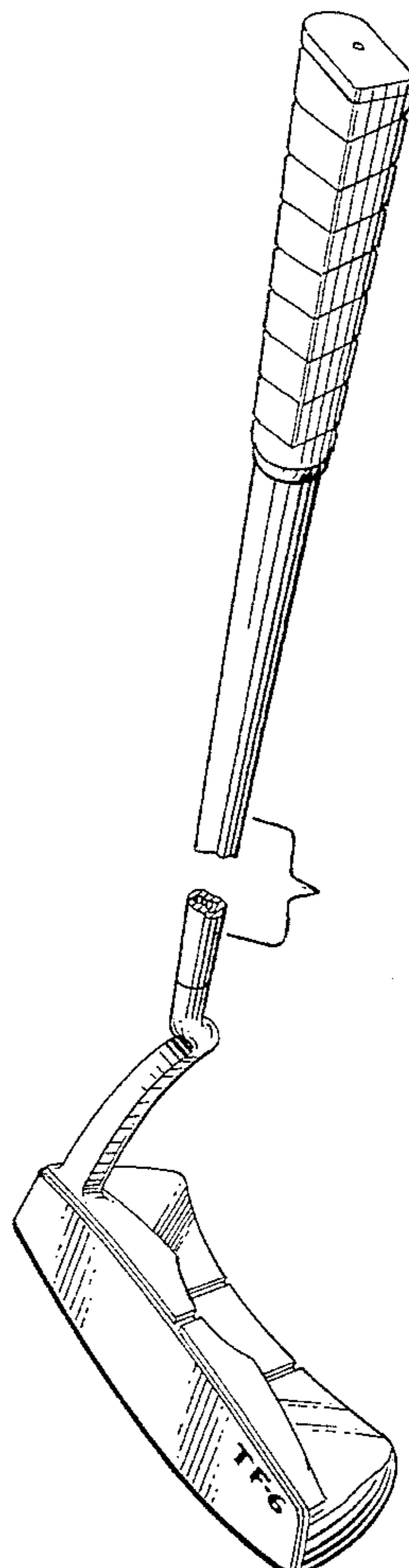
D. 255,373	6/1980	Solheim	.....	D21/219
D. 329,906	9/1992	Reed et al.	.....	D21/219
D. 341,405	11/1993	Solheim	.....	D21/219
D. 349,142	7/1994	Boone	.....	D21/217
5,078,398	1/1992	Reed et al.	.....	273/167 G X

**OTHER PUBLICATIONS**

Golf World; Jan. 1990; p. 38; putter—upper right corner of page.

Golf World; Apr. 1990; p. 29; putter—bottom of page.

**1 Claim, 2 Drawing Sheets**



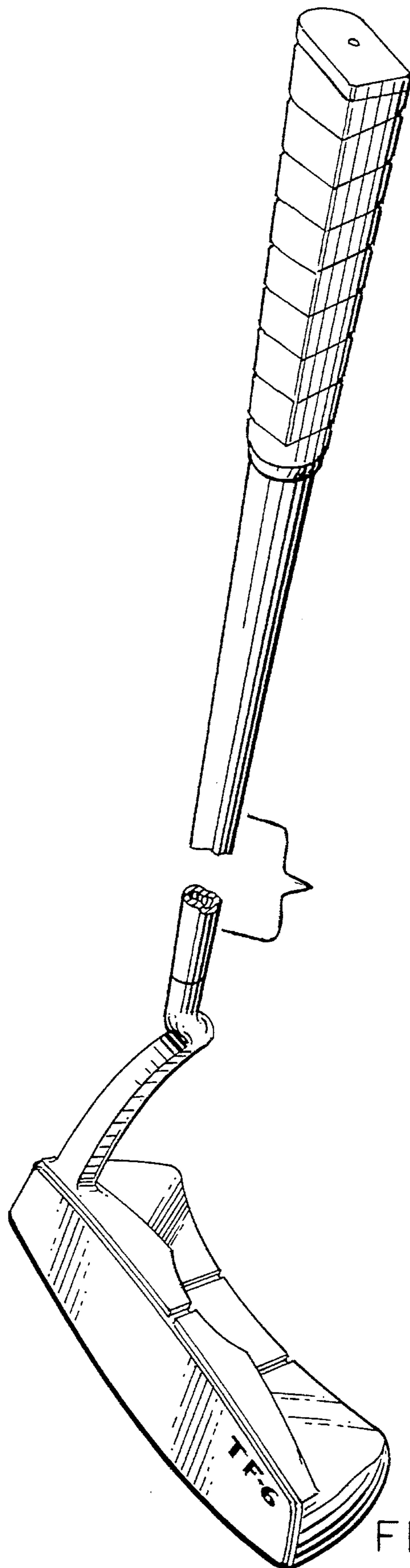


FIG.1

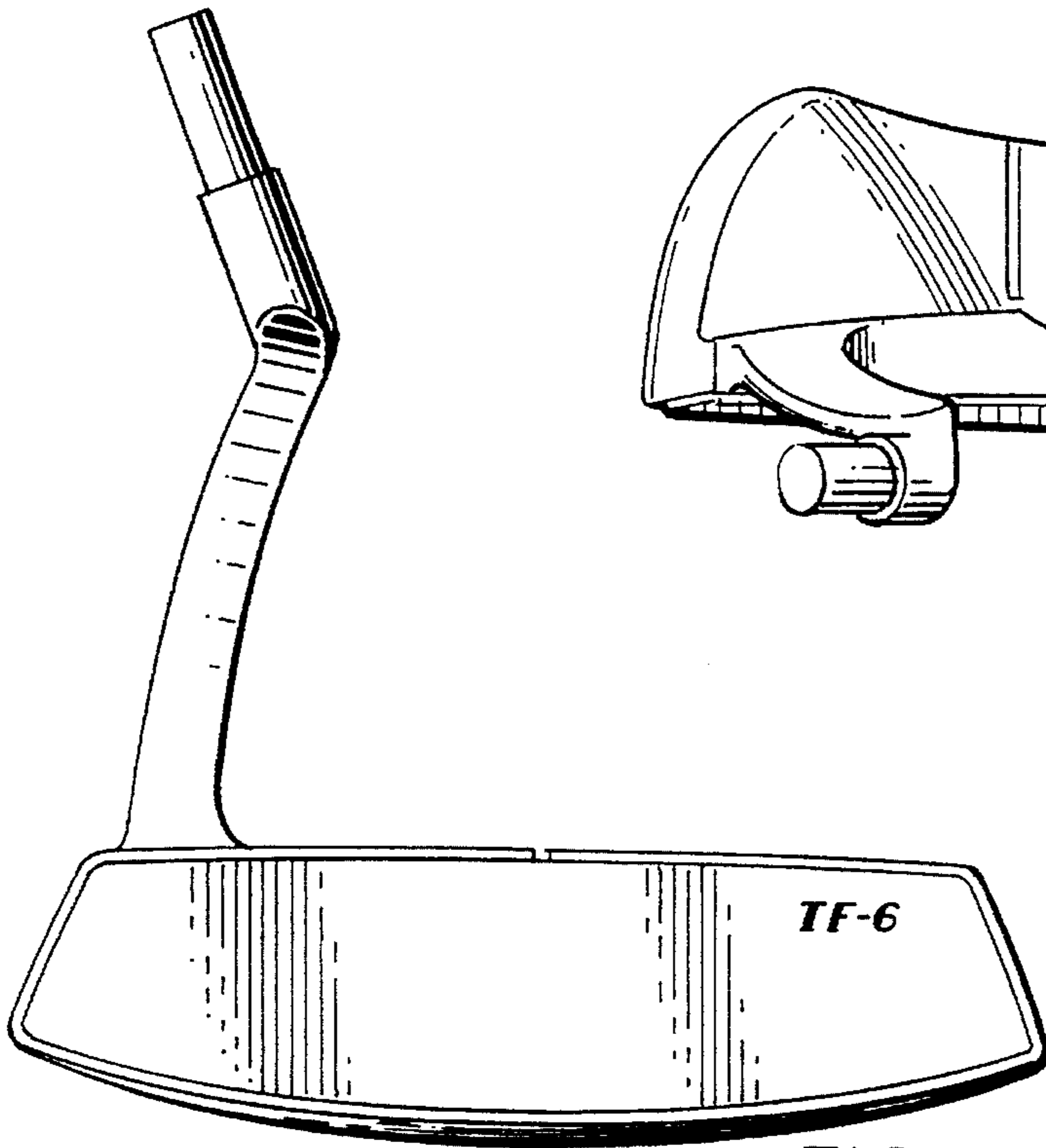


FIG. 2

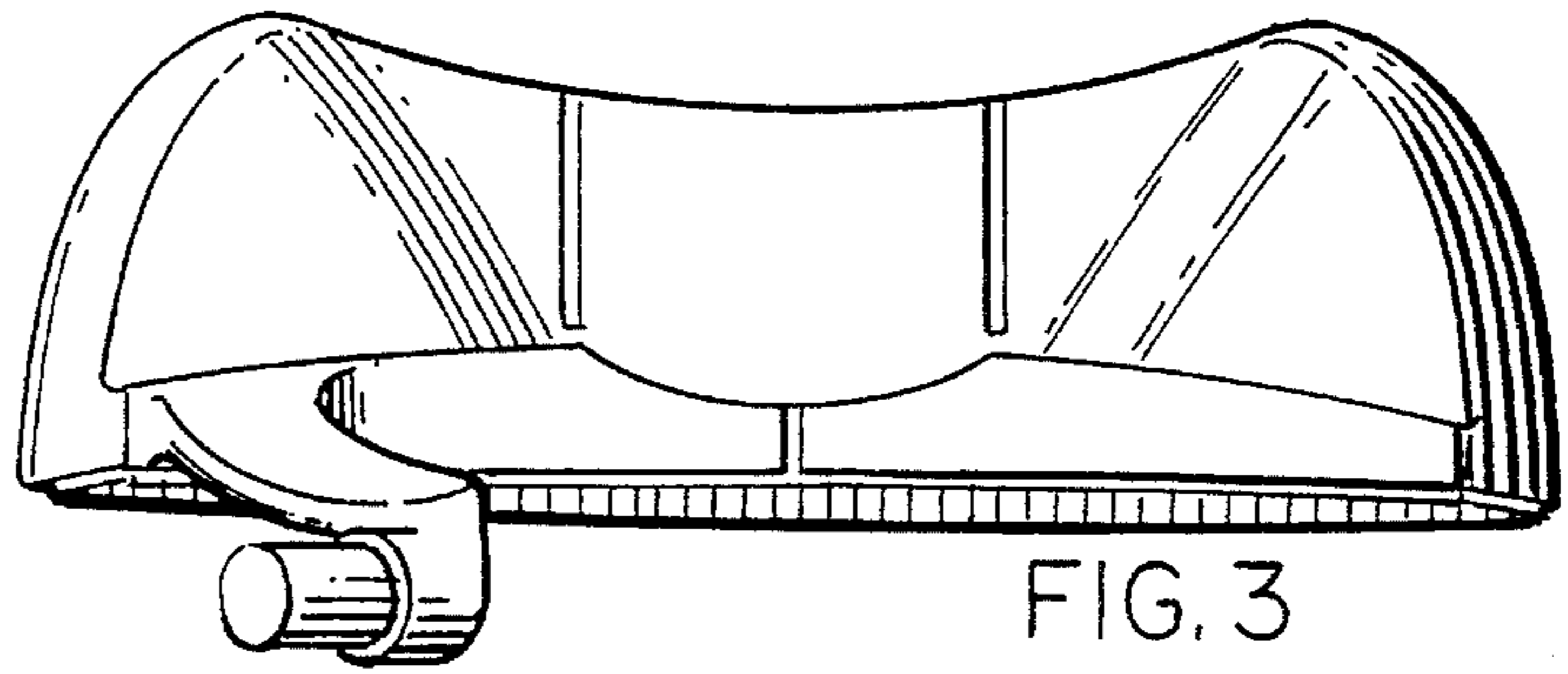


FIG. 3

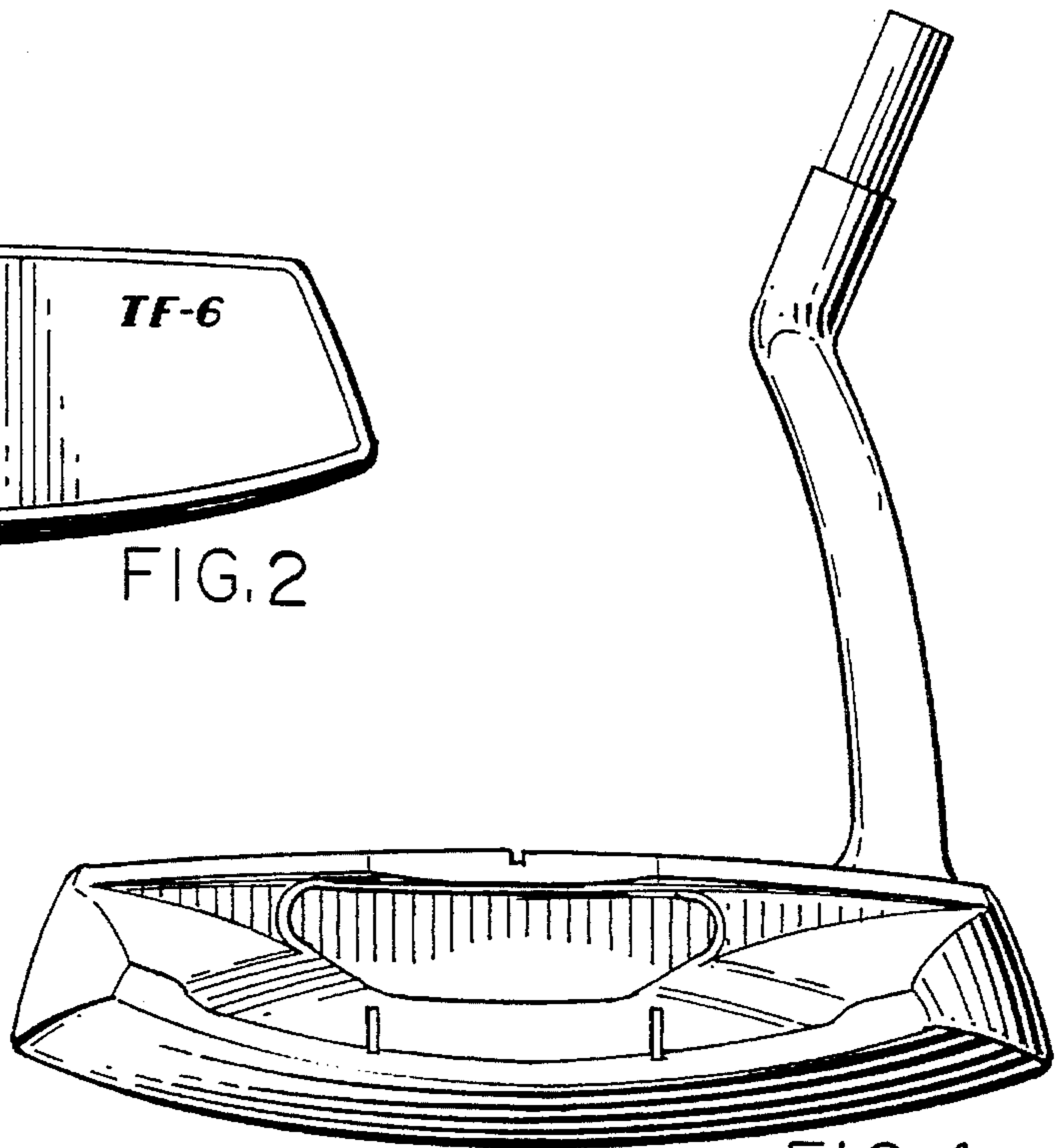


FIG. 4

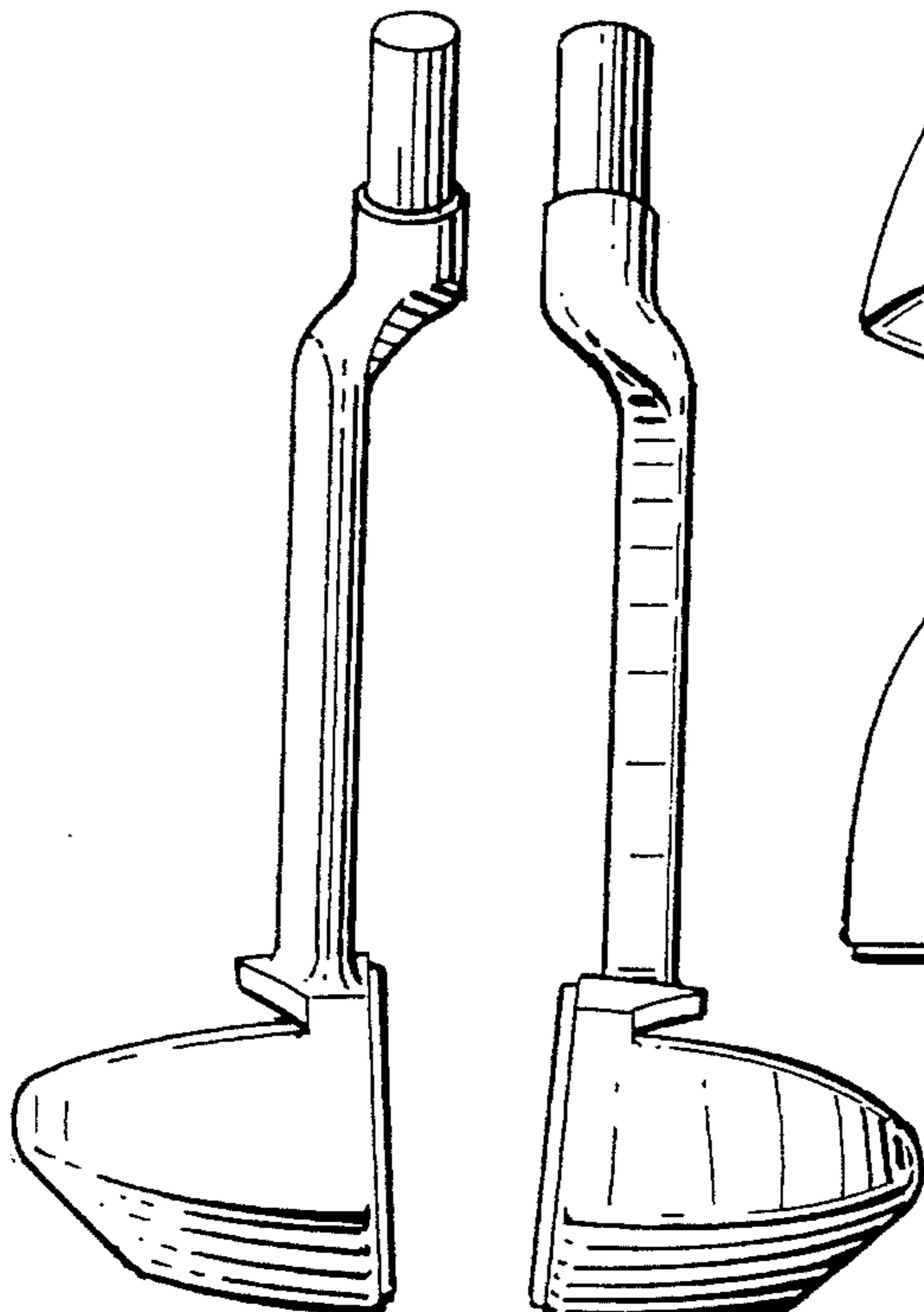


FIG. 7

FIG. 6

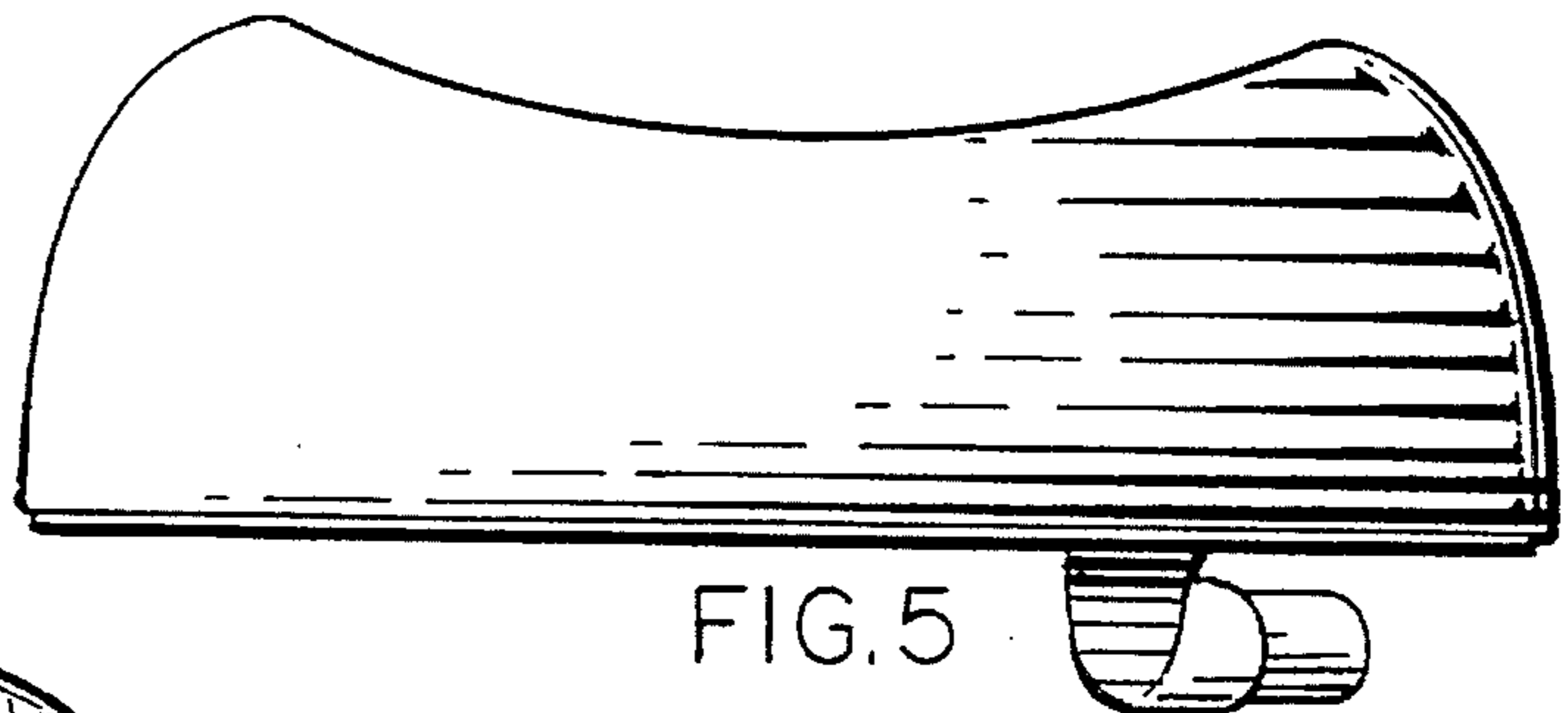


FIG. 5