



US00D363329S

United States Patent [19]
Greene et al.

[11] **Patent Number: Des. 363,329**
[45] **Date of Patent: **Oct. 17, 1995**

[54] **GOLF CLUB PUTTER**

Assistant Examiner—Mitchell I. Siegel

[75] Inventors: **Thomas M. Greene**, Monson, Mass.;
Arthur R. Martin, Westport, Conn.

[57] **CLAIM**

The ornamental design for a golf club putter, as shown and described.

[73] Assignee: **Lisco, Inc.**, Tampa, Fla.

[**] Term: **14 Years**

DESCRIPTION

[21] Appl. No.: **18,009**

FIG. 1 is a perspective view of a golf club putter showing our new design;

[22] Filed: **Jan. 26, 1994**

FIG. 2 is a front view thereof, the shaft and handle are fragmentarily shown for ease of illustration;

[52] **U.S. Cl.** **D21/219**

[58] **Field of Search** D21/214, 217-219;
273/164.1, 167-175

FIG. 3 is a top view of FIG. 2;

FIG. 4 is a rear view of FIG. 2;

[56] **References Cited**

U.S. PATENT DOCUMENTS

D. 308,995	7/1990	Colucci	D21/219
2,478,468	8/1949	Drake	273/167 G
4,655,459	4/1987	Antonious	273/171

FIG. 5 is a bottom view of FIG. 2;

FIG. 6 is a right side view of FIG. 2; and,

FIG. 7 is a left side view of FIG. 2.

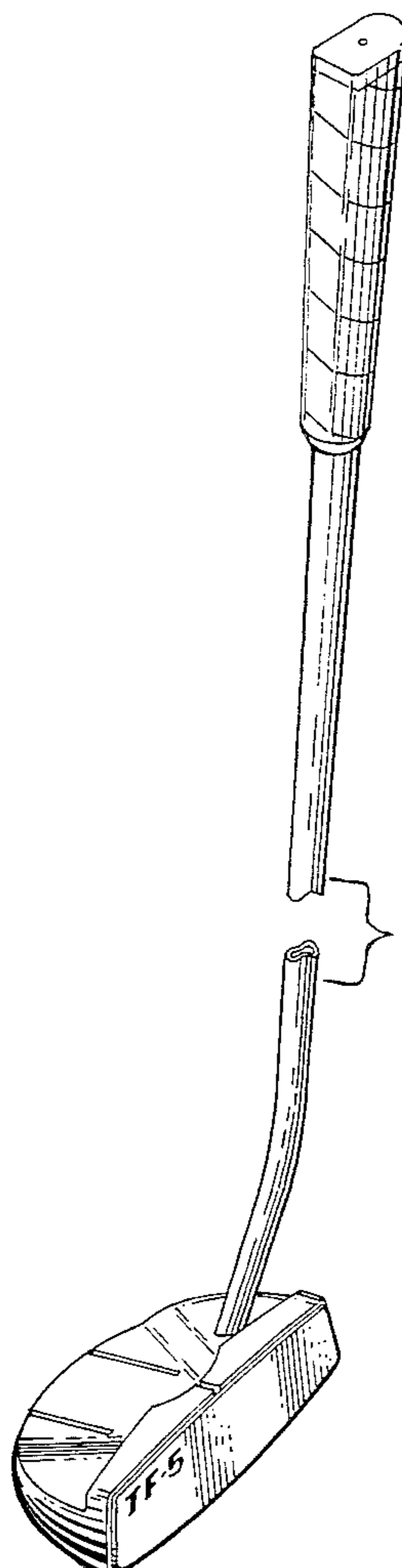
OTHER PUBLICATIONS

Golf World; Dec. 1988; p. 28; Putter on lower left of page.
Golf Digest; Jul. 1981; p. 87; Putter on lower right of page.

The broken away section of the shaft on FIG. 1 is due to indeterminate length.

Primary Examiner—Terry A. Wallace

1 Claim, 2 Drawing Sheets



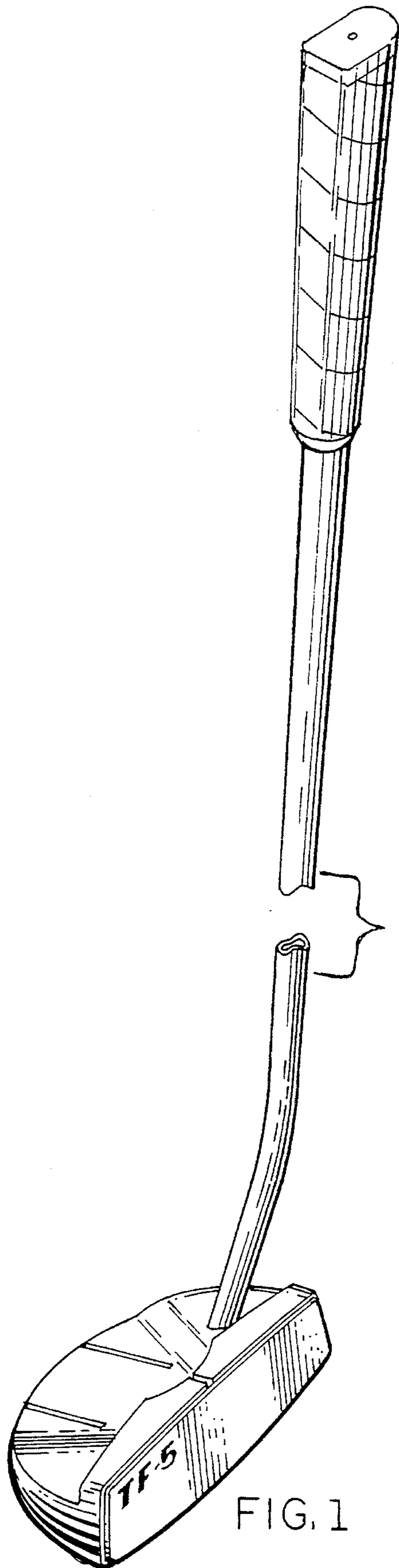


FIG. 1

