



US00D363327S

United States Patent [19]
Greene et al.

[11] **Patent Number: Des. 363,327**
[45] **Date of Patent: **Oct. 17, 1995**

[54] **GOLF CLUB PUTTER**

[75] Inventors: **Thomas M. Greene**, Monson, Mass.;
Arthur R. Martin, Westport, Conn.

[73] Assignee: **Lisco, Inc.**, Tampa, Fla.

[**] Term: **14 Years**

[21] Appl. No.: **18,007**

[22] Filed: **Jan. 26, 1994**

[52] U.S. Cl. **D21/219**

[58] Field of Search **D21/217-219;**
273/164.1, 167-175

[56] **References Cited**

U.S. PATENT DOCUMENTS

D. 255,373	6/1980	Solheim	D21/219
D. 329,906	9/1992	Reed et al.	D21/219
D. 341,405	11/1993	Solheim	D21/219
D. 349,142	7/1994	Boone	D21/217
5,078,398	1/1992	Reed et al.	273/167 G X

OTHER PUBLICATIONS

Golf World; Jan. 1990; p. 38; Putter—upper right corner.
Golf World; Apr. 1990; p. 29; Putter, bottom of page.
Golf World; Dec. 1987; p. 7; Putter middle left of page.

Primary Examiner—Terry A. Wallace
Assistant Examiner—Mitchell I. Siegel

[57] **CLAIM**

The ornamental design of the golf club putter, as shown and described.

DESCRIPTION

FIG. 1 is a perspective view of a golf club putter showing our new design;

FIG. 2 is a front view thereof, shown without the shaft and handle for ease of illustration;

FIG. 3 is a top view of FIG. 2;

FIG. 4 is a rear view of FIG. 2;

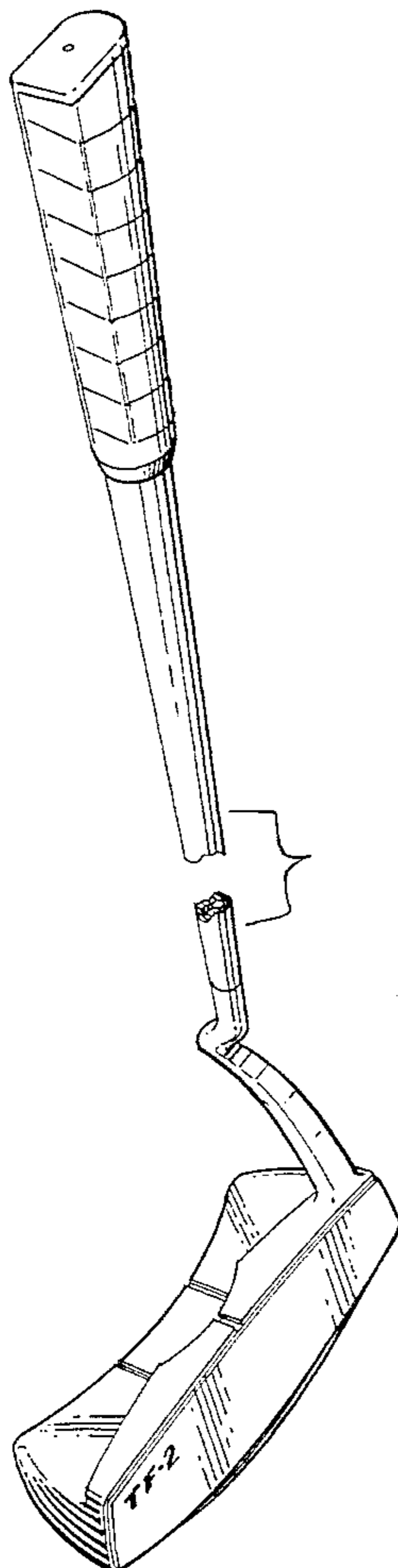
FIG. 5 is a bottom view of FIG. 2;

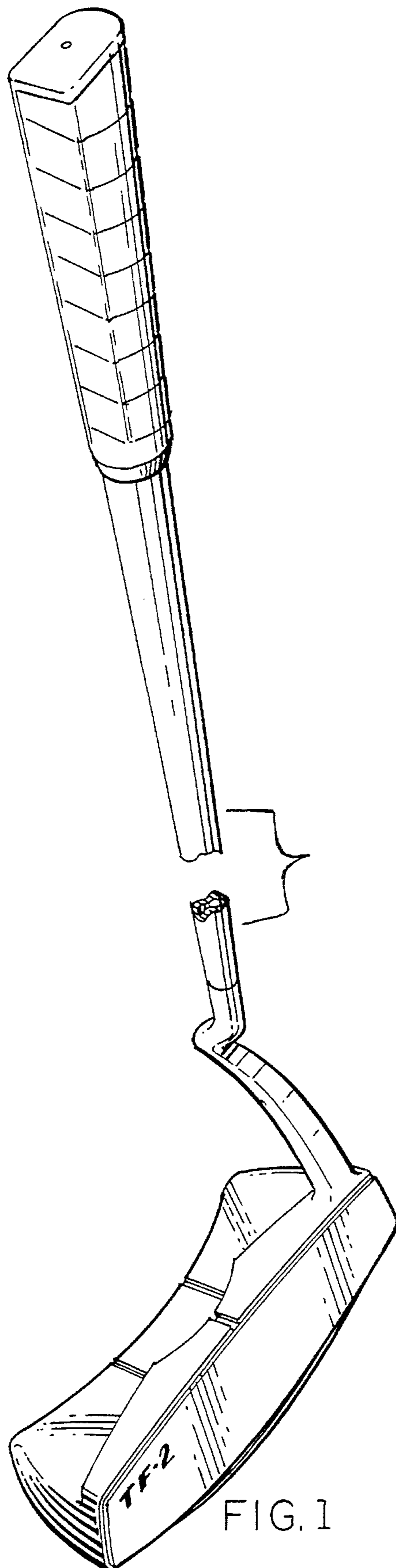
FIG. 6 is a right side view of FIG. 2; and,

FIG. 7 is a left side view of FIG. 2.

The broken away section of the shaft on FIG. 1 is due to indeterminate length.

1 Claim, 2 Drawing Sheets





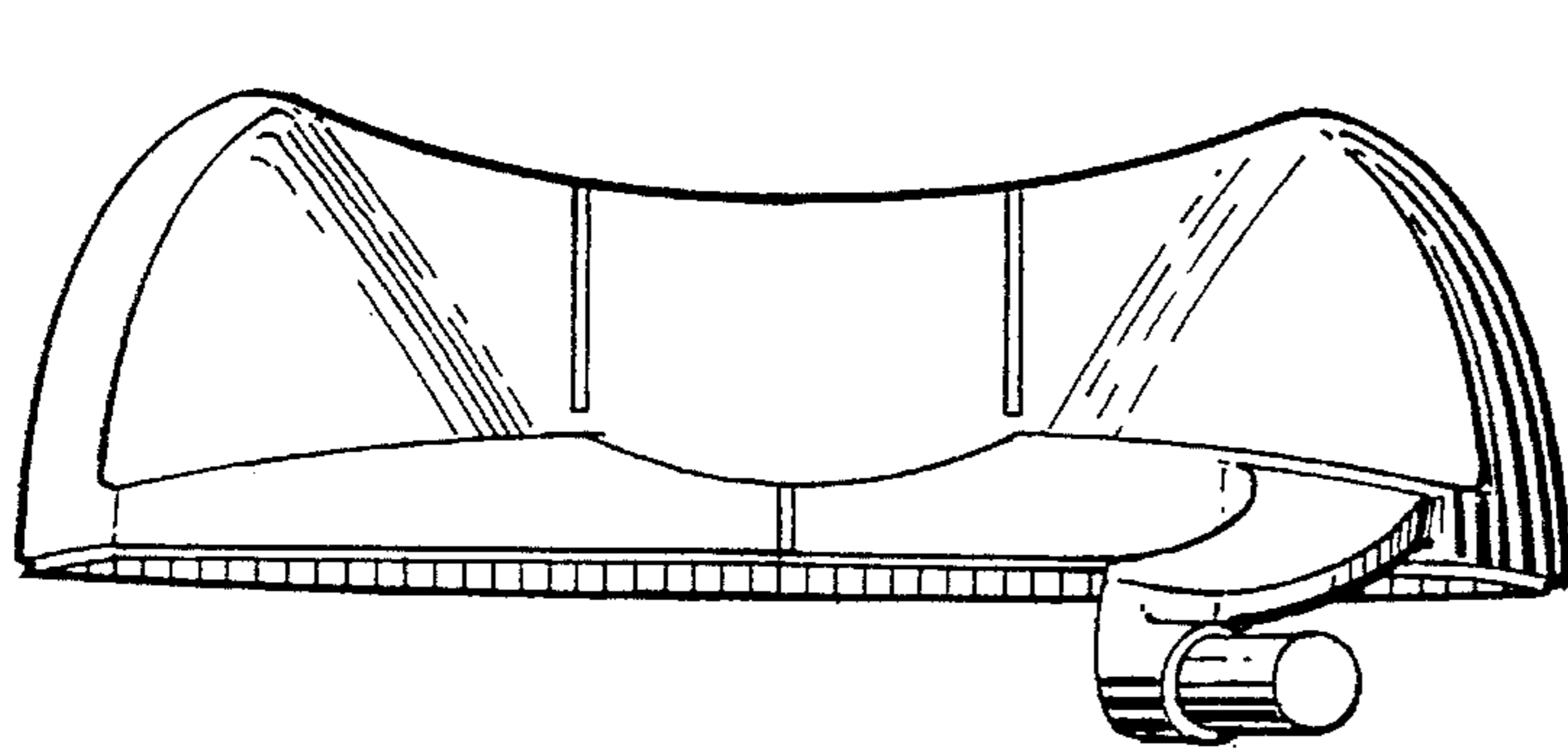


FIG. 3

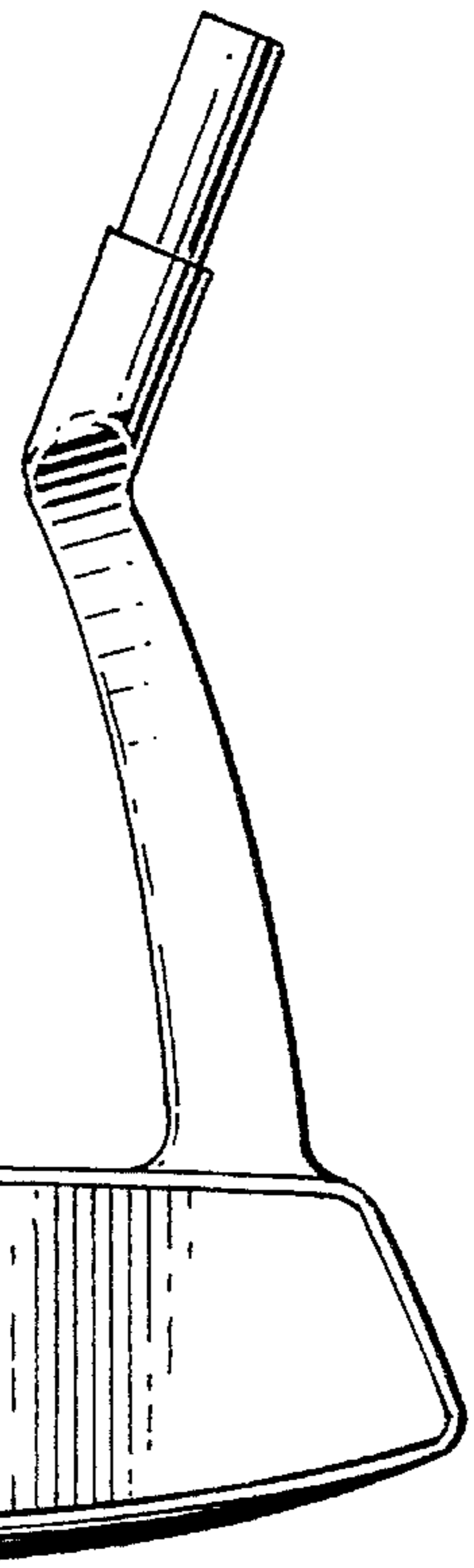


FIG. 2

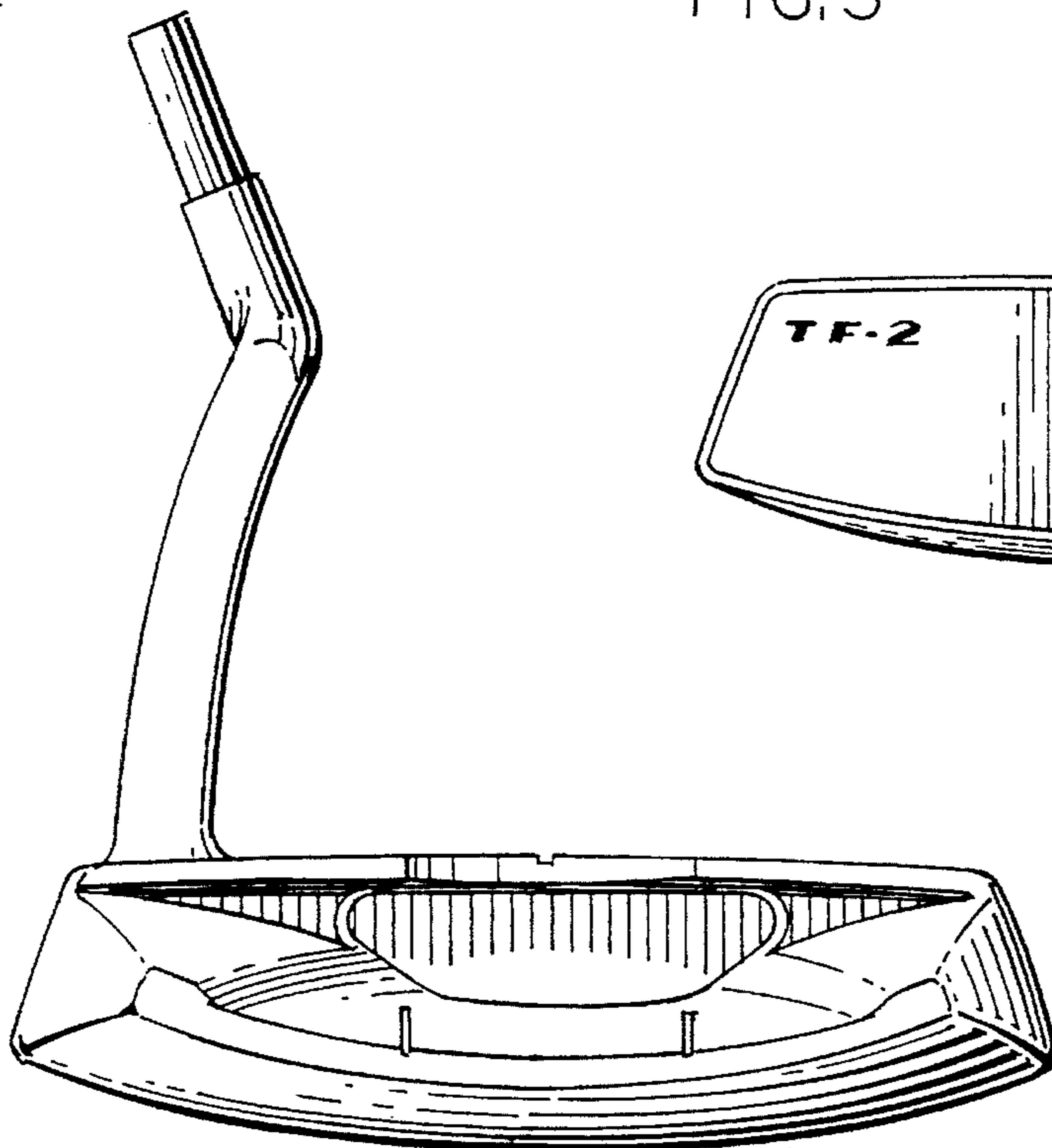


FIG. 4

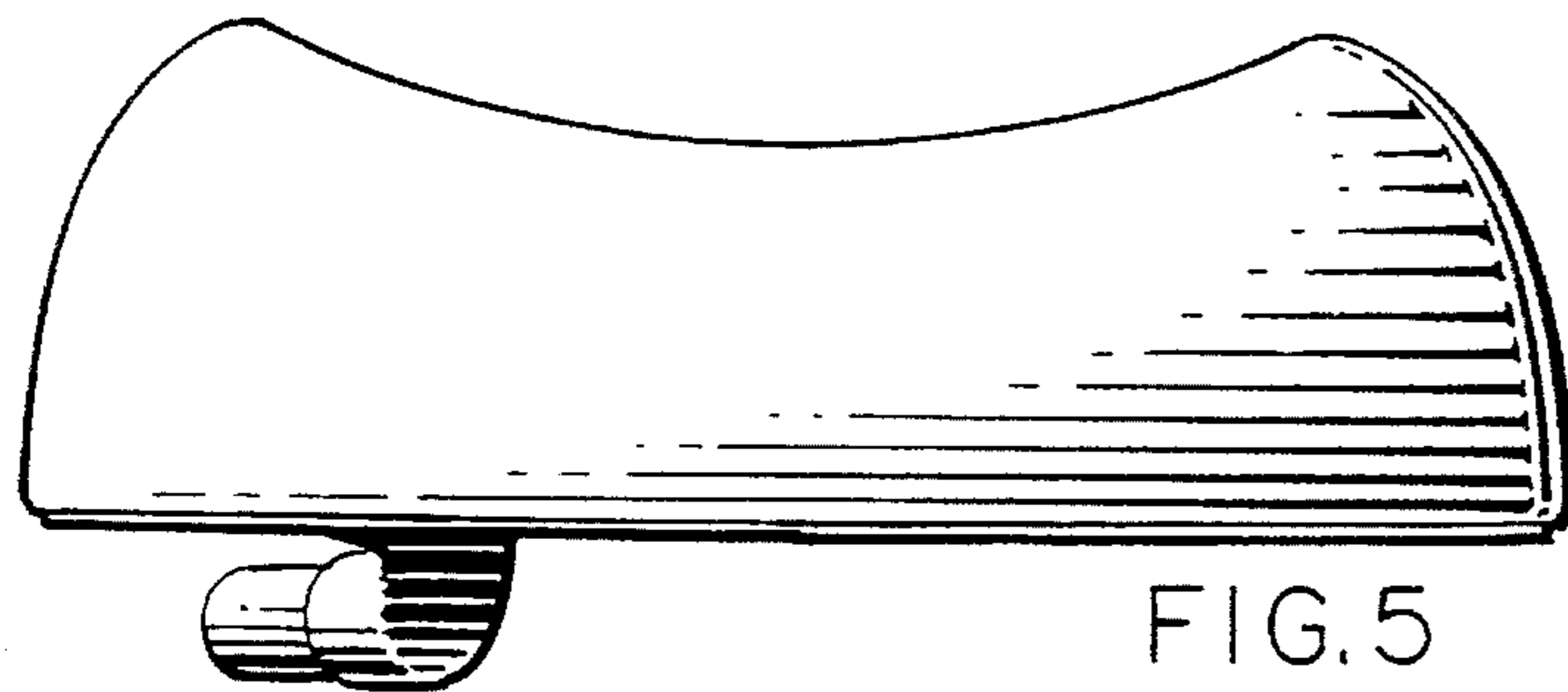


FIG. 5

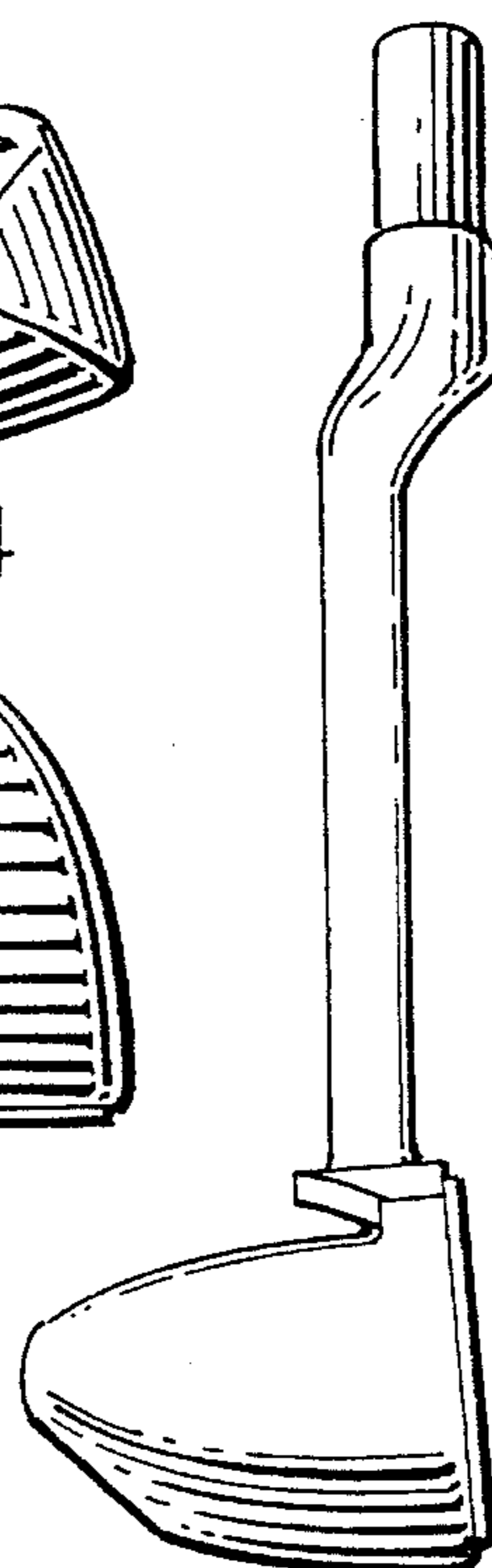


FIG. 6

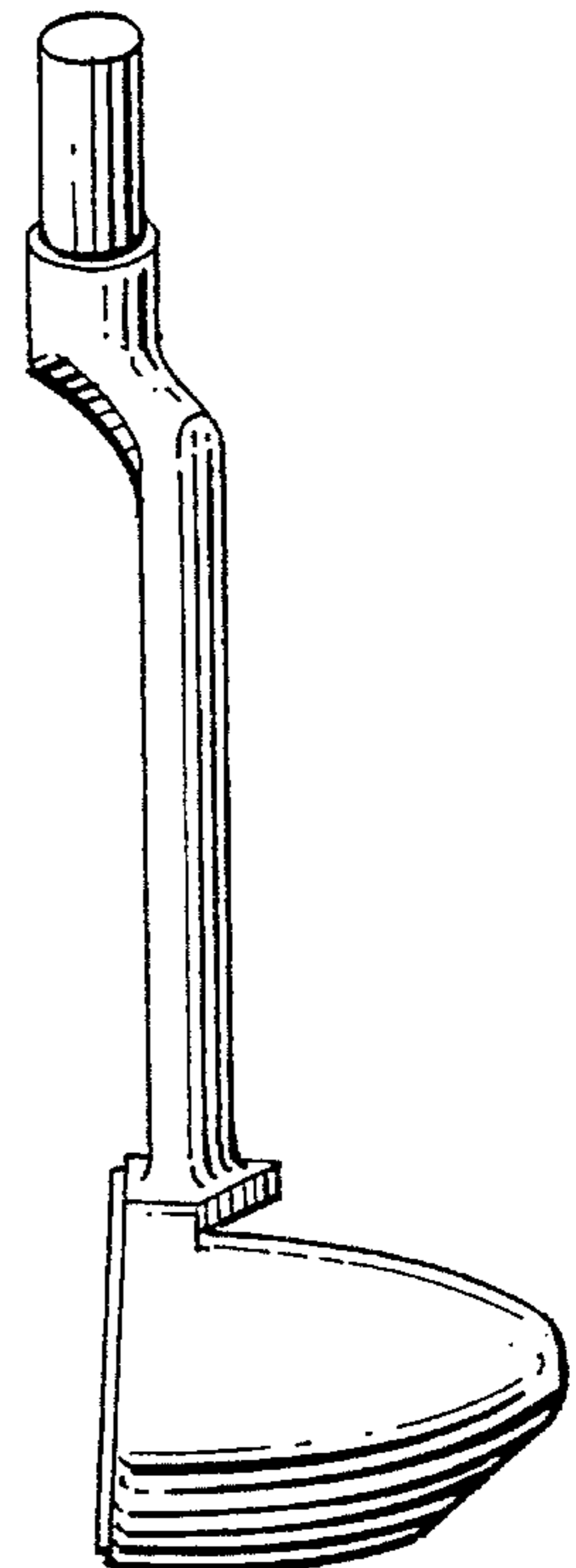


FIG. 7