



US00D363325S

United States Patent [19]
Wilkinson

[11] **Patent Number:** **Des. 363,325**
[45] **Date of Patent:** ****Oct. 17, 1995**

[54] **TRAMPOLINE EXERCISER**
[76] Inventor: **William T. Wilkinson**, Severnside Farm, 300 Kyle Rd., Crownsville, Md. 21032-0572
[**] Term: **14 Years**

4,824,100 4/1989 Hall et al. 482/28
4,836,530 6/1989 Stanley, Jr. 482/27
5,007,638 4/1991 Yukl 482/28
5,074,550 12/1991 Sloan 482/71

Primary Examiner—Ted Shooman
Assistant Examiner—Philip Hyder
Attorney, Agent, or Firm—Connolly & Hutz

[21] Appl. No.: **20,046**
[22] Filed: **Mar. 18, 1994**
[52] **U.S. Cl.** **D21/191**
[58] **Field of Search** D21/191, 193,
D21/192; 482/27, 28, 71, 73

[57] **CLAIM**

The ornamental design for a trampoline exerciser, as shown and described.

DESCRIPTION

FIG. 1 is a top plan view of a trampoline exerciser showing my new design;
FIG. 2 is a front elevational view thereof;
FIG. 3 is a right side elevation view thereof with the left side elevational view being a mirror image thereof;
FIG. 4 is a rear elevation view thereof;
FIG. 5 is a bottom plan view thereof; and,
FIG. 6 is a perspective view thereof.

[56] **References Cited**

U.S. PATENT DOCUMENTS

D. 304,850	11/1989	Chambers	D21/192
4,225,131	9/1980	Sidlinger et al.	482/27
4,477,070	10/1984	Appelbaum	482/28
4,489,933	12/1984	Fisher et al.	482/28
4,598,905	7/1986	Vrana	482/27
4,630,816	12/1986	Hill	482/27

1 Claim, 3 Drawing Sheets

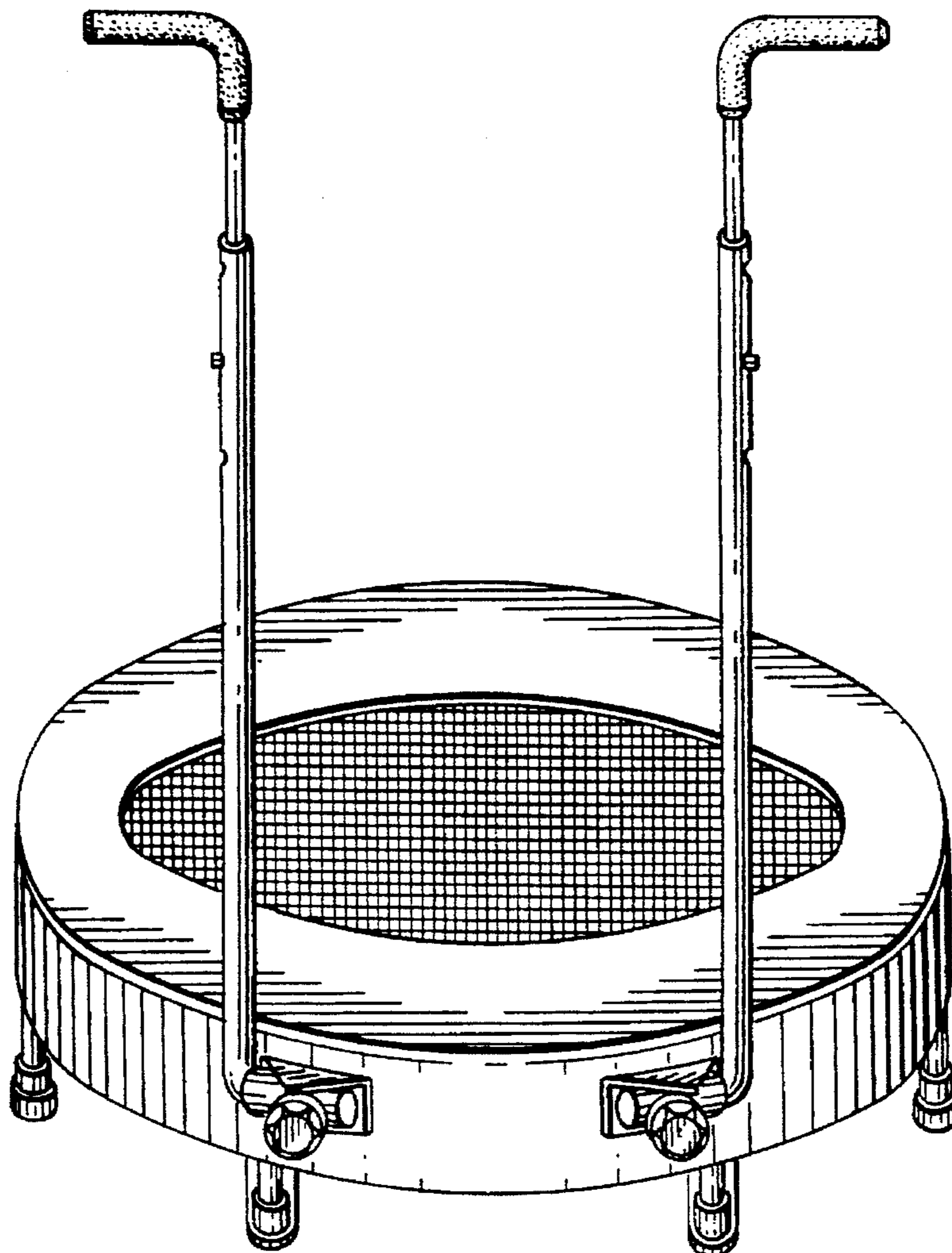


Fig. 1.

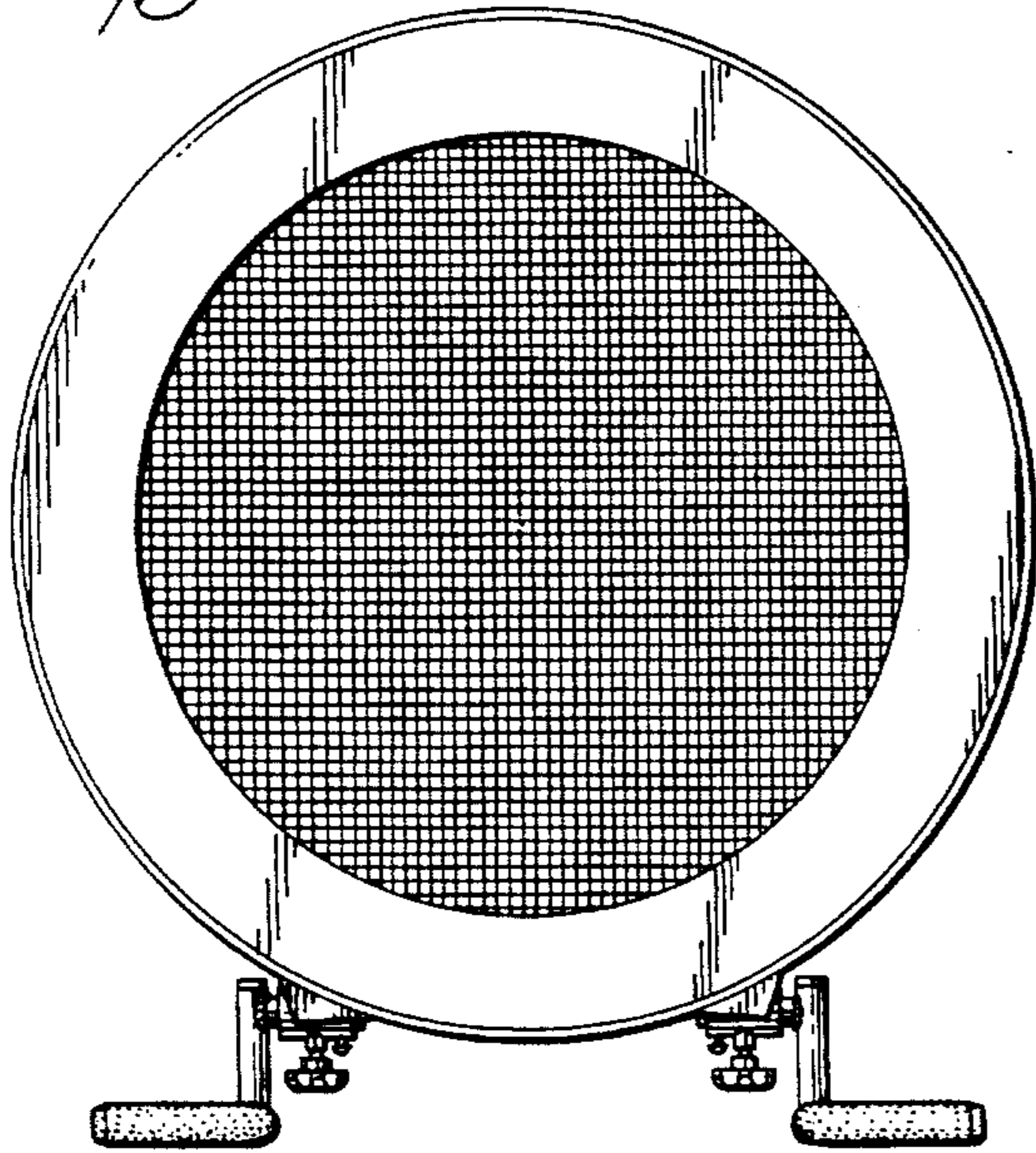


Fig. 2.

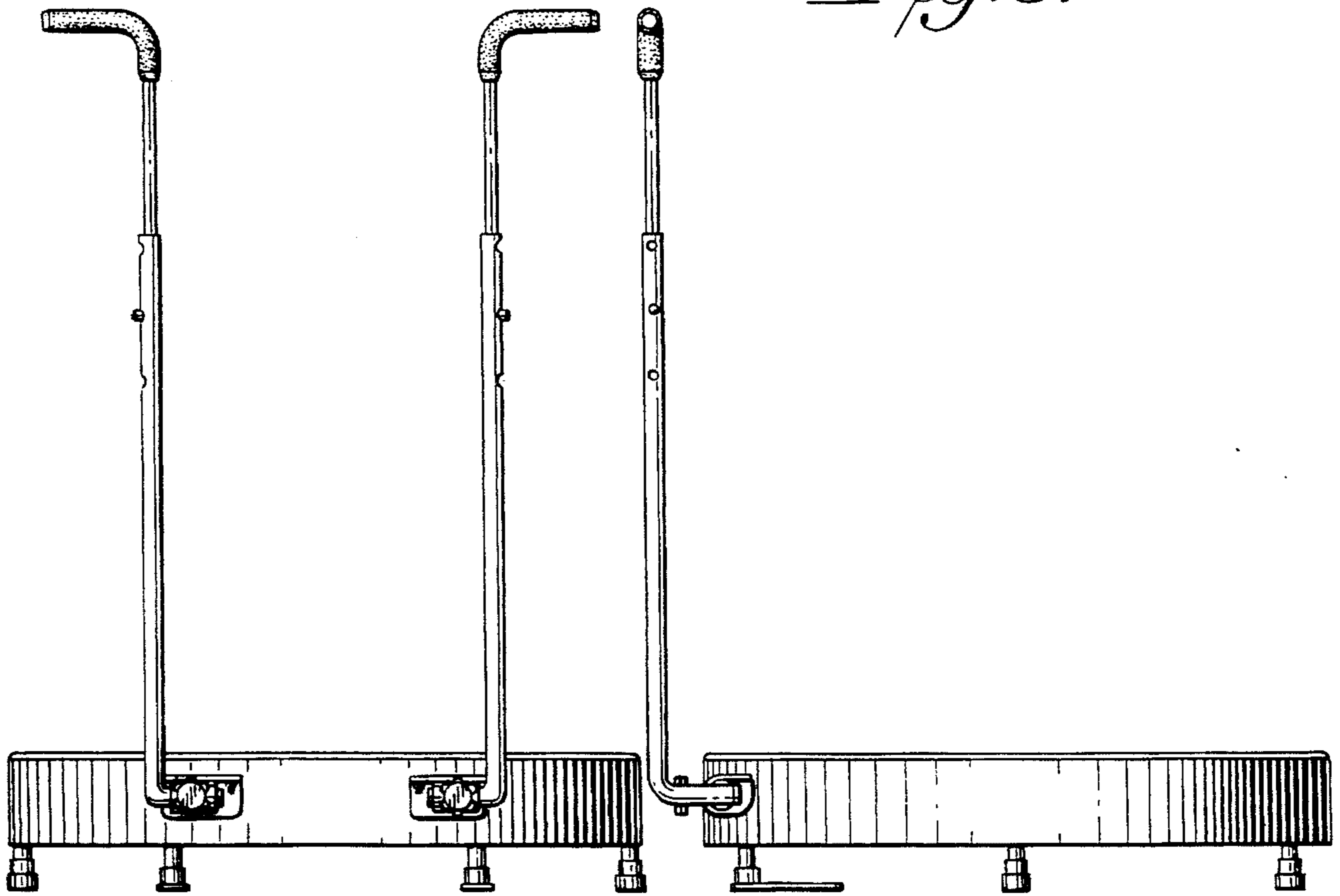


Fig. 3.

Fig. 4.

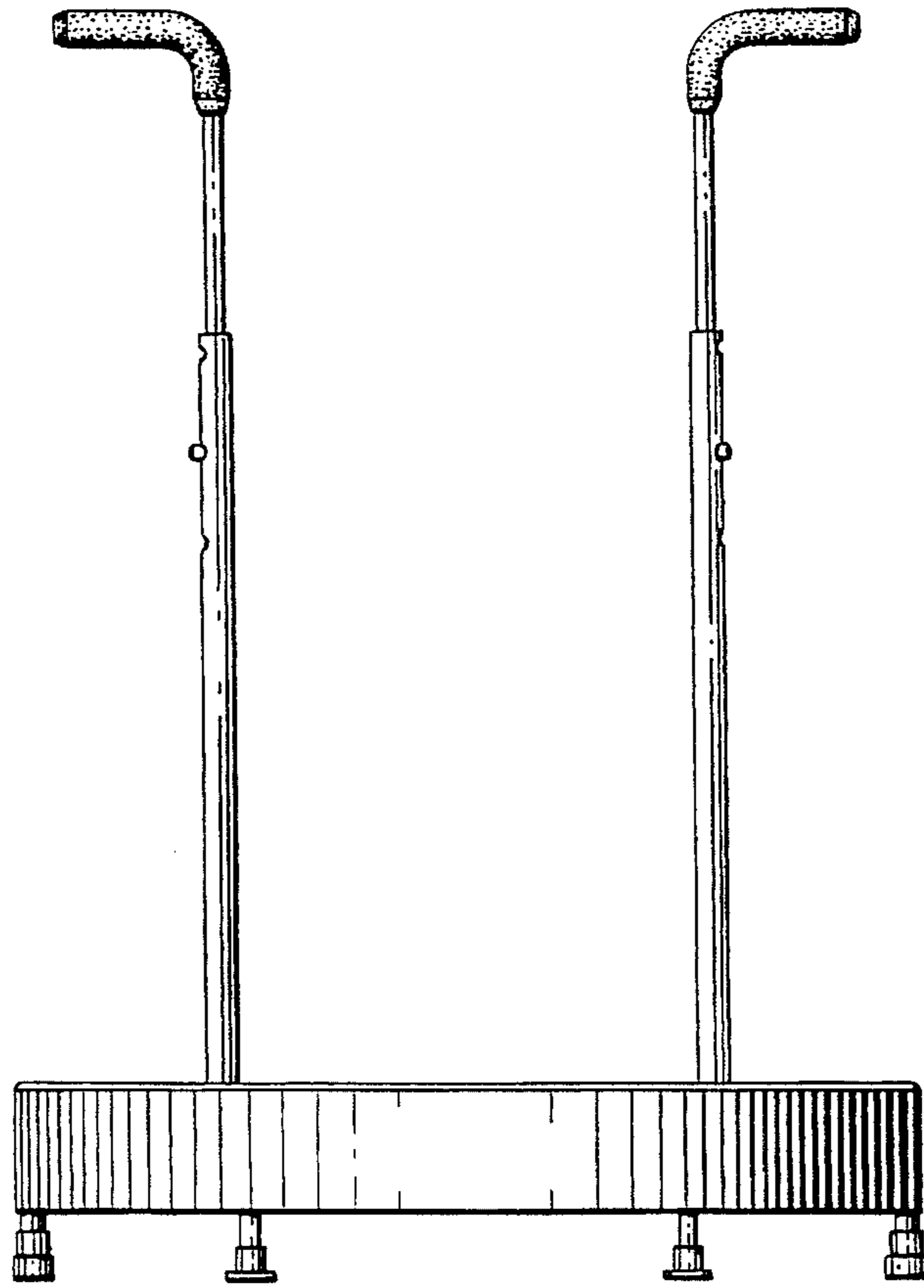


Fig. 5.

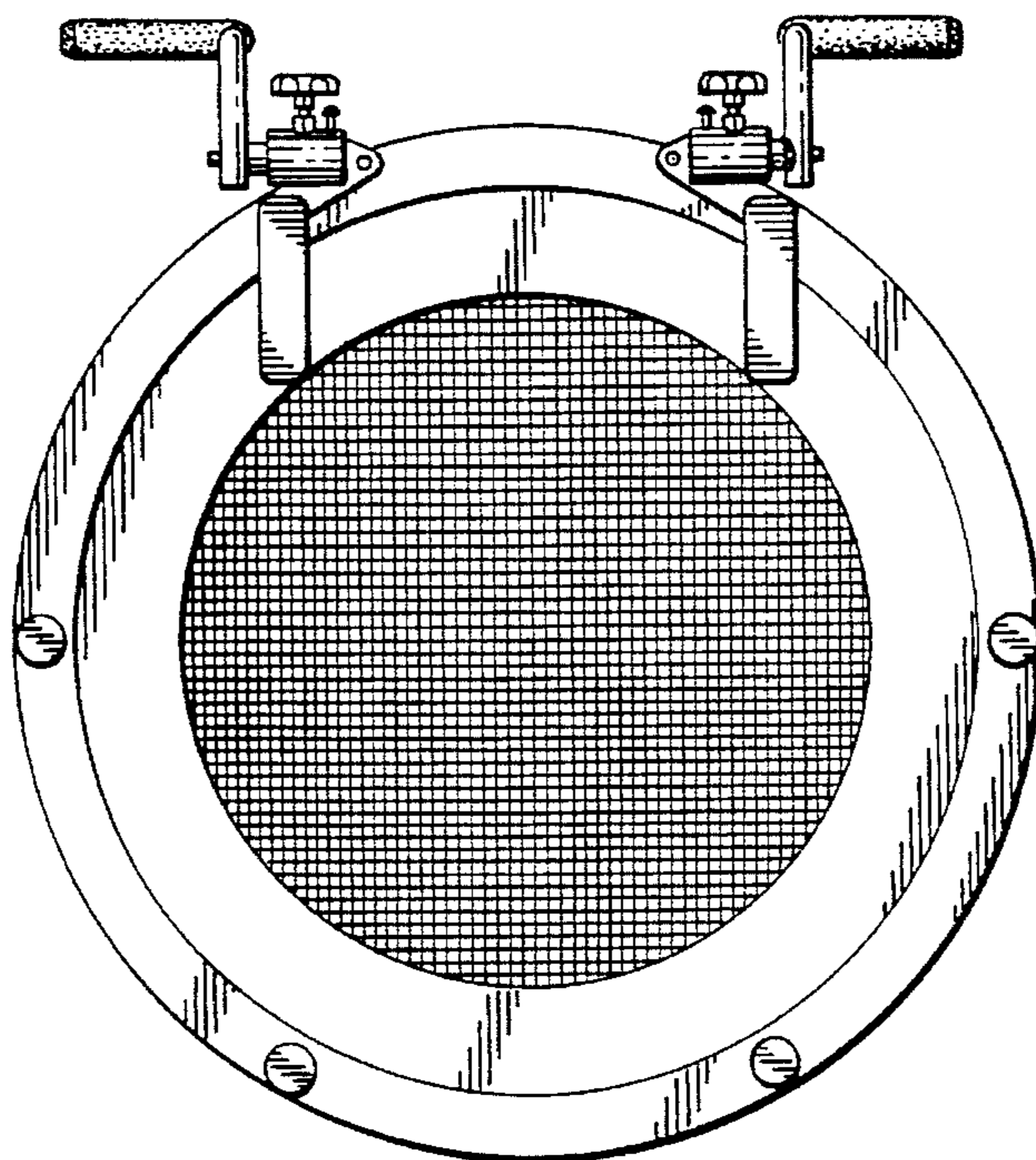


Fig. 6.

