



US00D363323S

United States Patent [19]
Thomsen

[11] **Patent Number:** **Des. 363,323**
[45] **Date of Patent:** ****Oct. 17, 1995**

[54] **TOY FIRE ENGINE**
[75] Inventor: **Thomas A. Thomsen**, Copenhagen, Denmark
[73] Assignee: **Interlego AG**, Baar, Switzerland
[**] Term: **14 Years**
[21] Appl. No.: **29,131**
[22] Filed: **Sep. 29, 1994**
[52] U.S. Cl. **D21/133**
[58] **Field of Search** D21/76, 78, 71, D21/133, 134, 136, 137, 140; D12/91, 92, 90; 446/465, 468, 470, 93, 95, 128; 280/87.051, 87.01, 87.021, 828

D. 233,359 10/1974 Krumholz D21/134
D. 314,998 2/1991 Berggren D21/134
D. 351,630 10/1994 Jensen et al. D21/134

Primary Examiner—Terry A. Wallace
Assistant Examiner—R. Barkai
Attorney, Agent, or Firm—Kane, Dalsimer, Sullivan, Kurucz, Levy, Eisele and Richard

[57] **CLAIM**

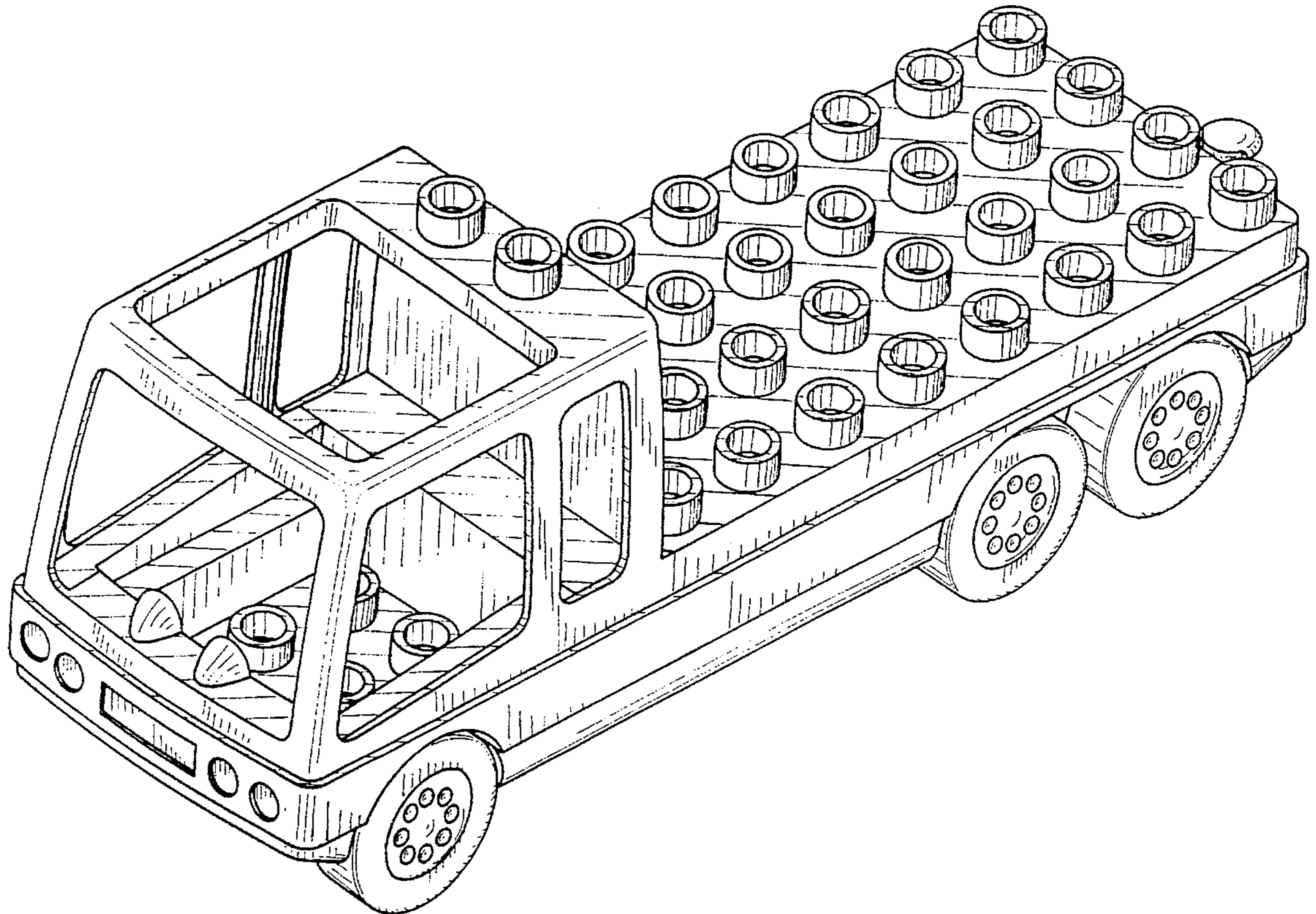
The ornamental design for a toy fire engine, as shown and described.

DESCRIPTION

FIG. 1 is a top perspective view of the toy fire engine showing my new design;
FIG. 2 is a bottom perspective view thereof;
FIG. 3 is a front elevational view thereof;
FIG. 4 is a left elevational view thereof, the right side being identical;
FIG. 5 is a rear side elevational view thereof;
FIG. 6 is a bottom plan view thereof; and,
FIG. 7 is a top plan view thereof.

[56] **References Cited**
U.S. PATENT DOCUMENTS
D. 104,181 4/1937 Borios D21/134
D. 211,807 7/1968 Genin D21/134
D. 216,821 3/1970 Perhacs, Jr. D21/134
D. 230,286 2/1974 DeGraw D21/134

1 Claim, 4 Drawing Sheets



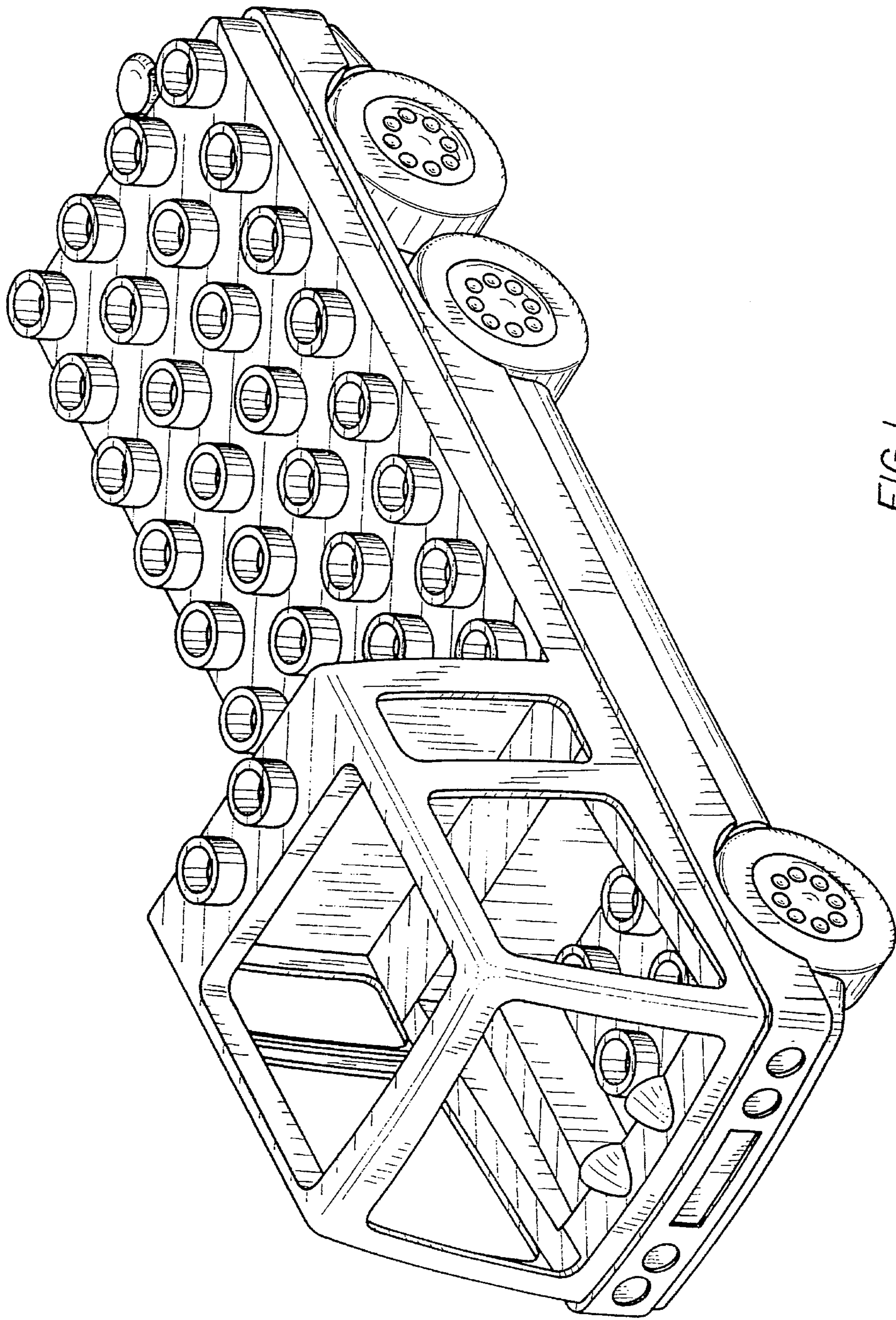


FIG. 1

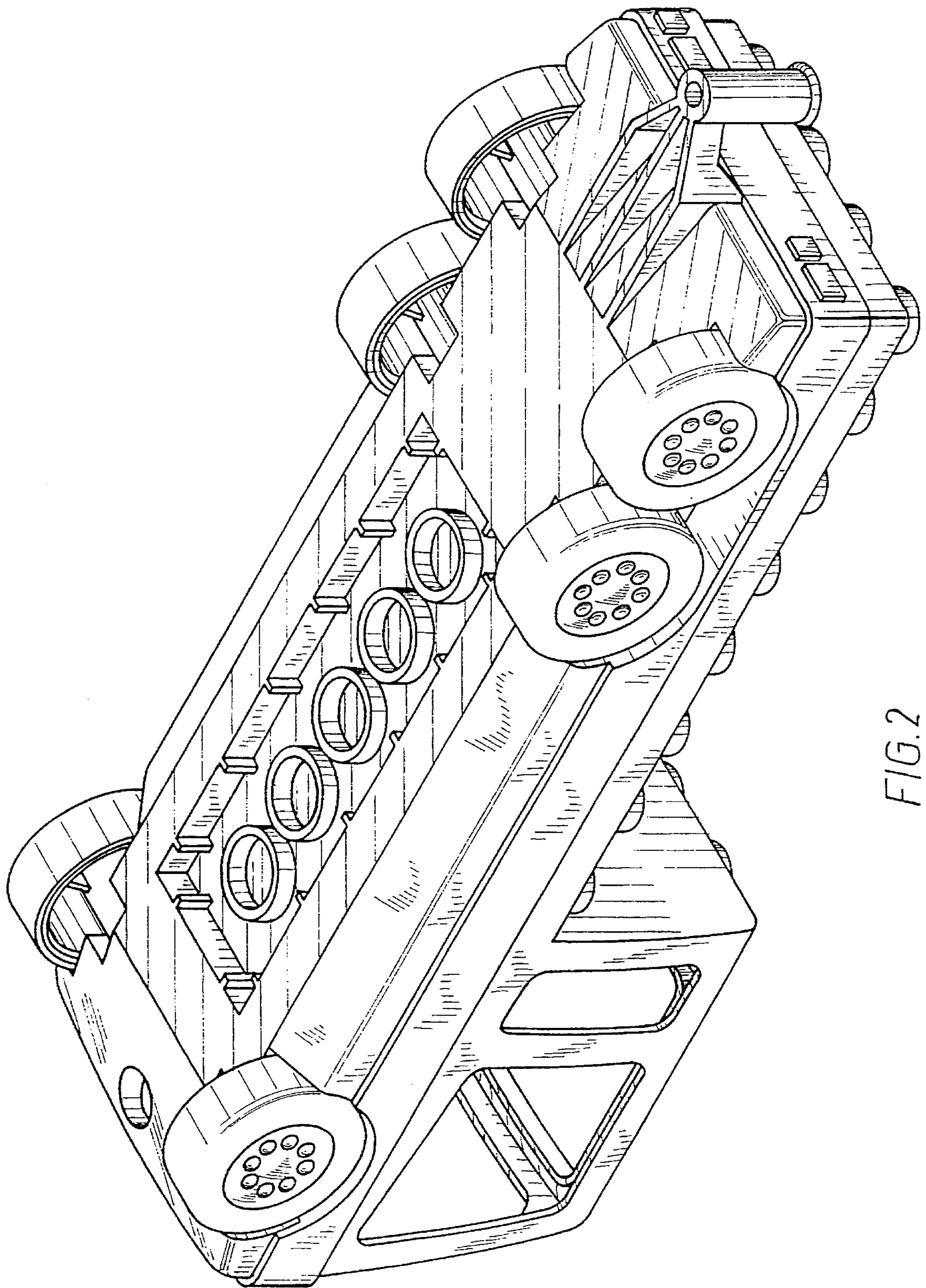


FIG. 2

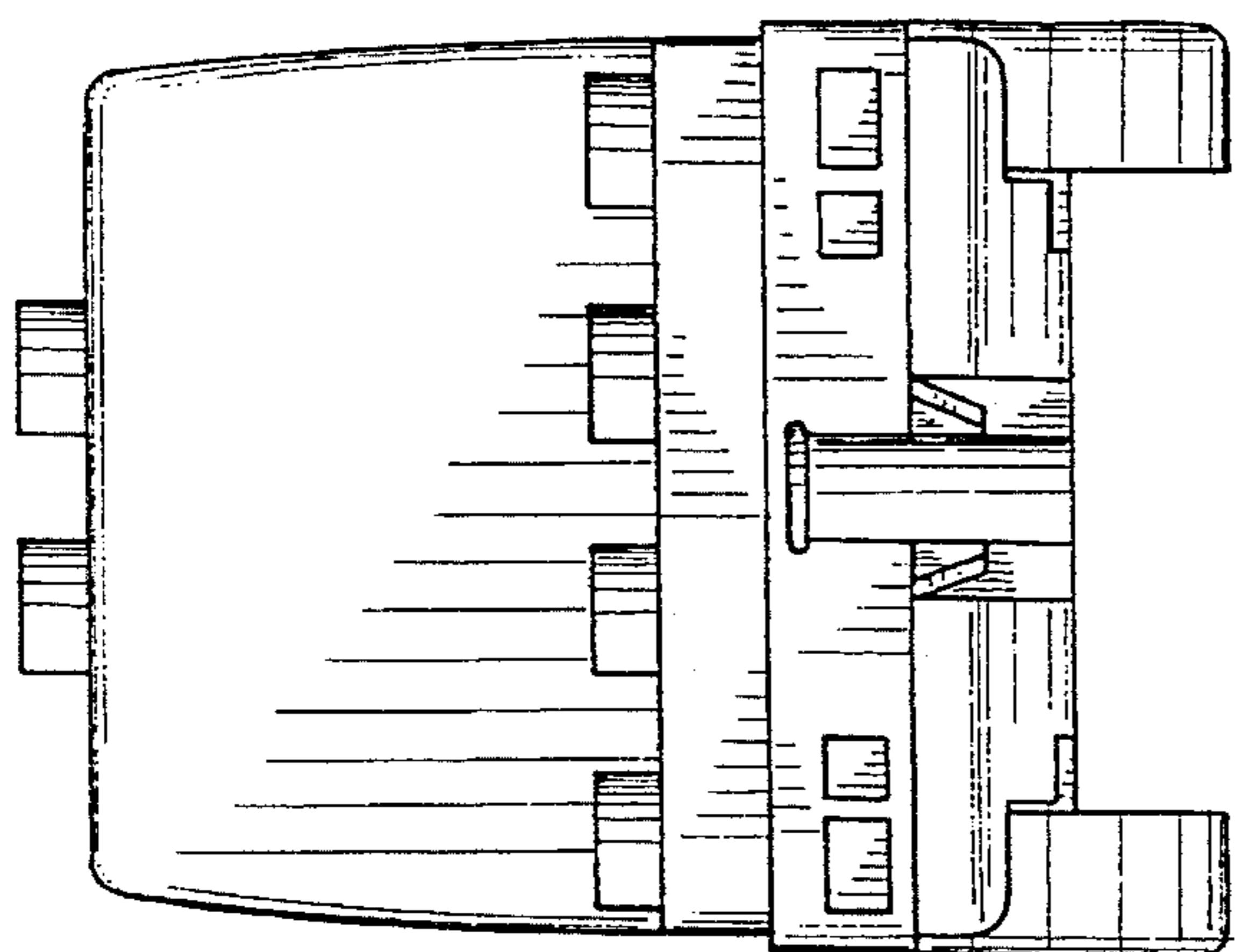


FIG. 5

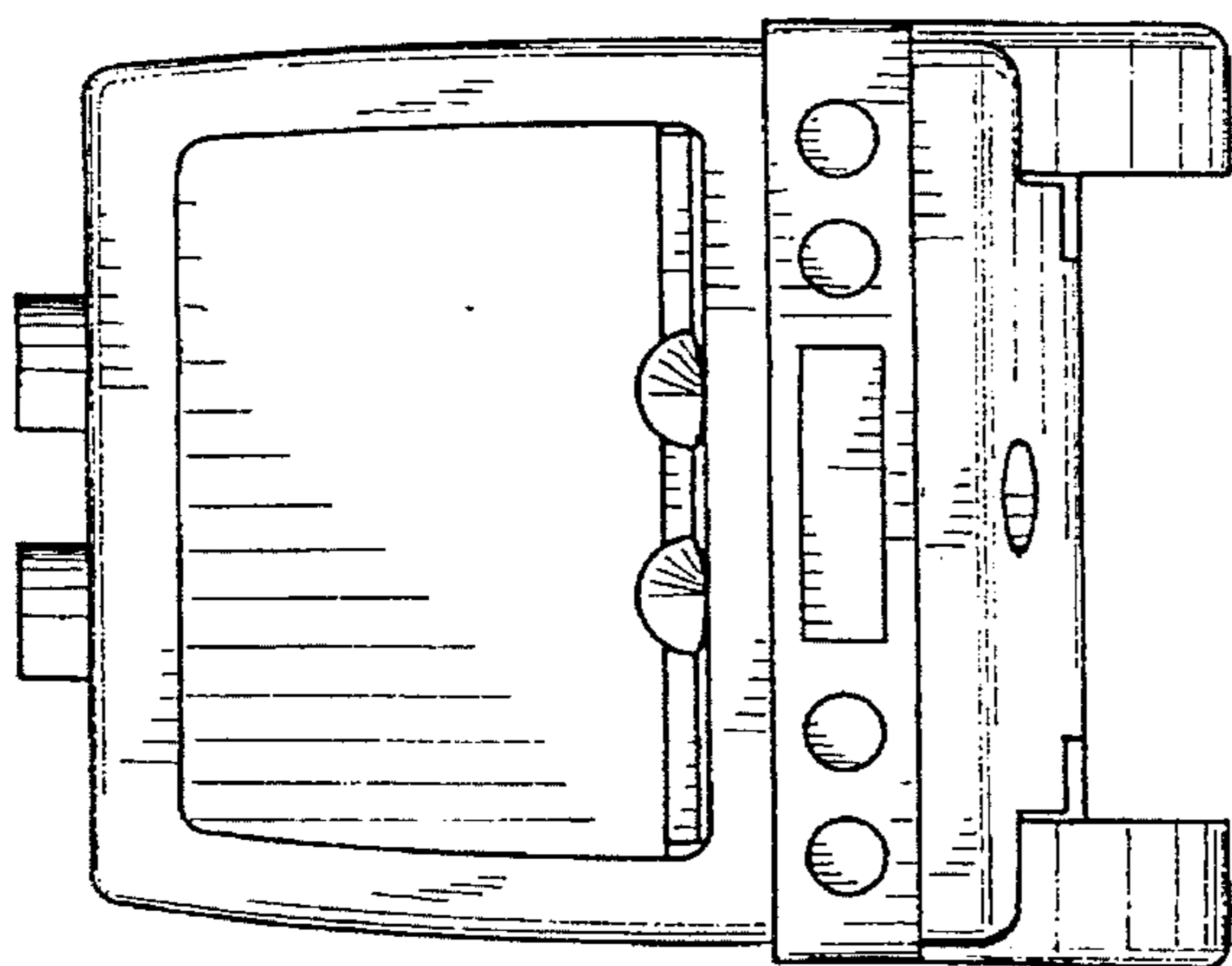


FIG. 3

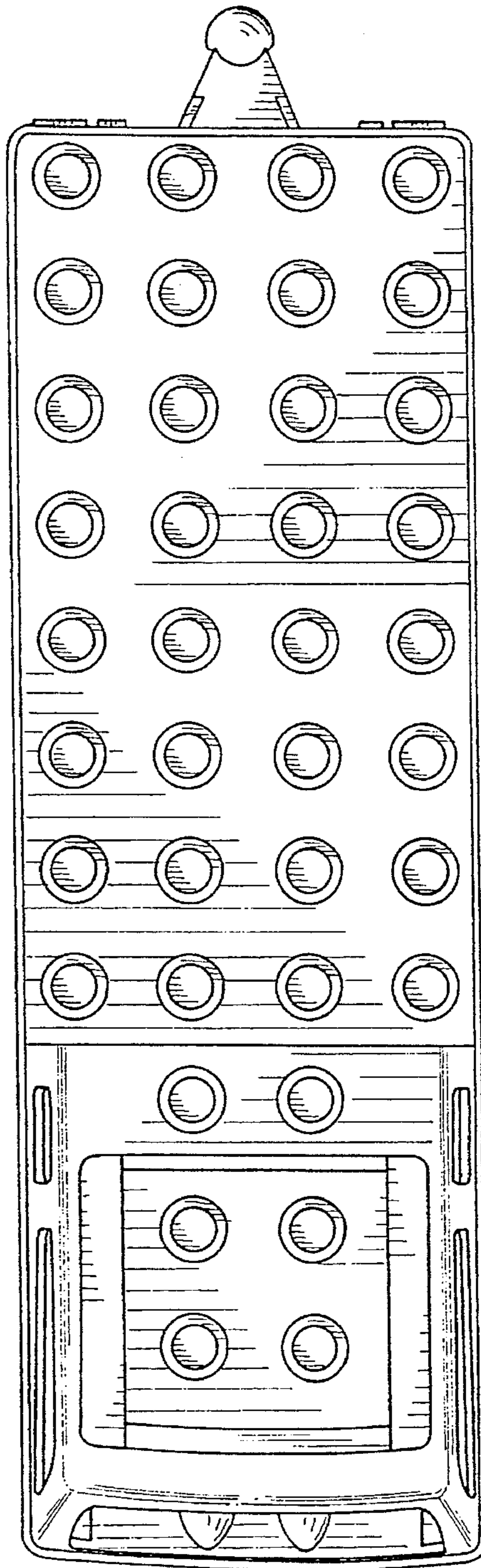


FIG. 7

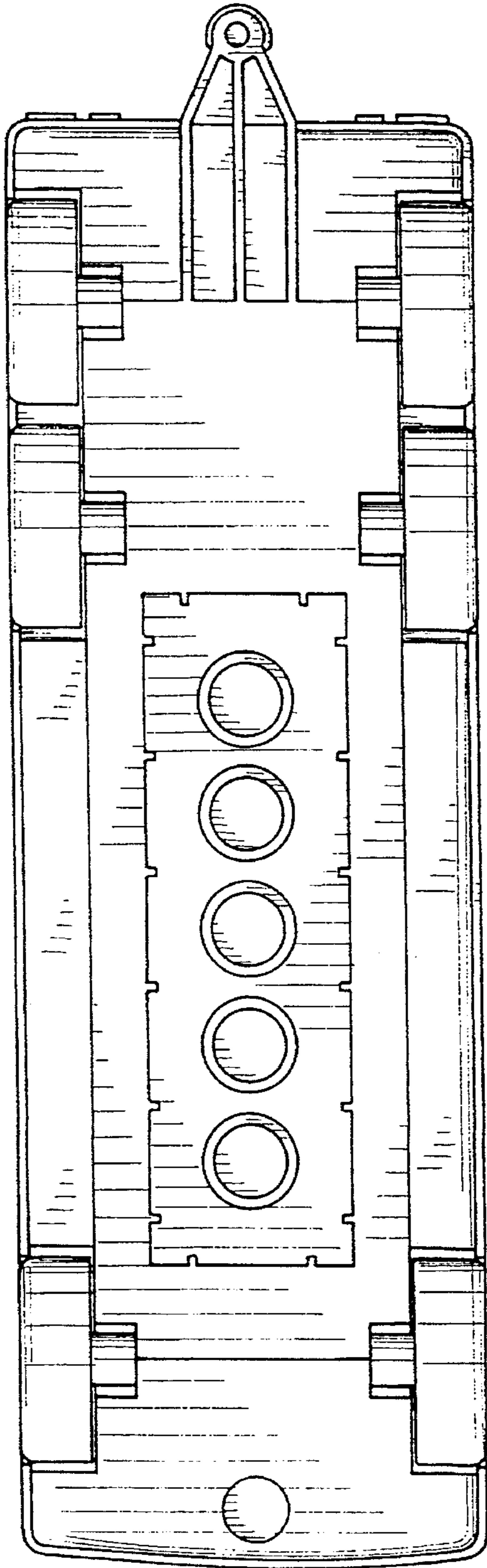


FIG. 6

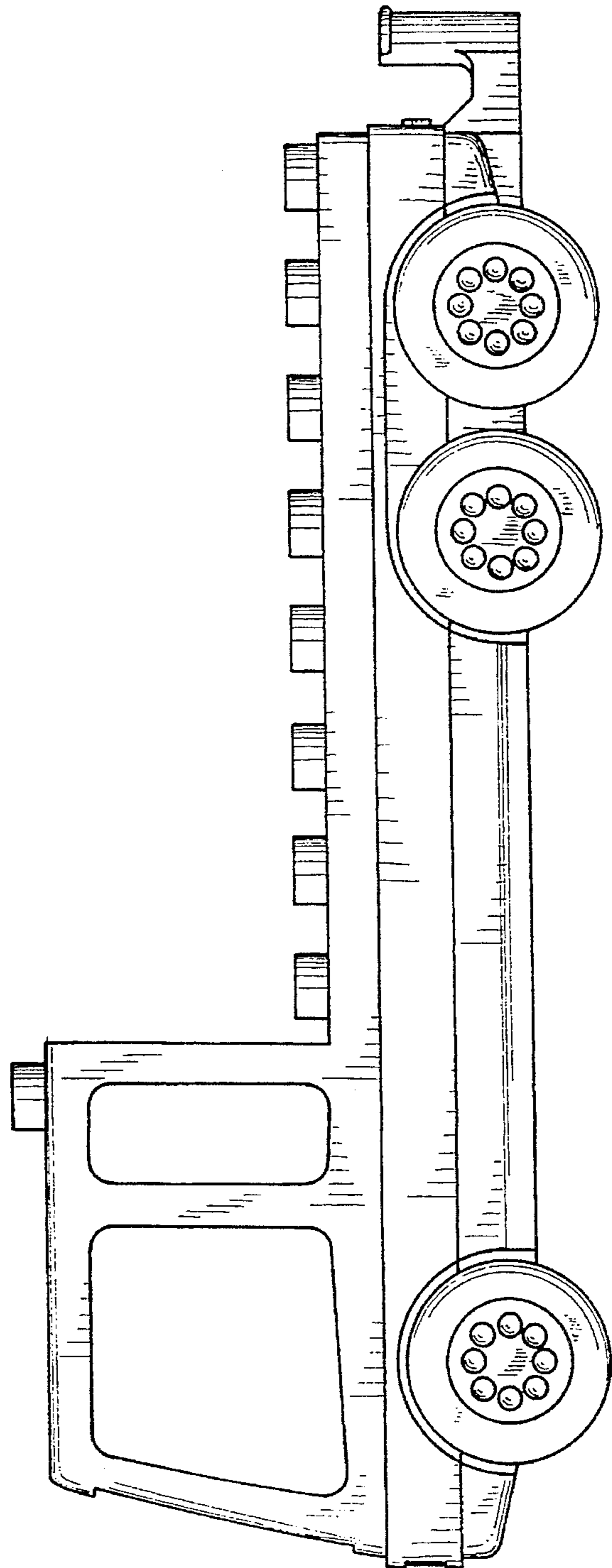


FIG. 4