



US00D363317S

**United States Patent** [19]  
**Sternberg et al.**

[11] **Patent Number: Des. 363,317**  
[45] **Date of Patent: \*\*Oct. 17, 1995**

[54] **HAND HELD ROLLER GAME BOARD**

[75] Inventors: **Herbert M. Sternberg**, North Miami Beach, Fla.; **Clifford T. Rosenberg**, Kowloon, Hong Kong

[73] Assignee: **Herbko International, Inc.**, Hallandale, Fla.

[\*\*] Term: **14 Years**

[21] Appl. No.: **24,869**

[22] Filed: **Jun. 22, 1994**

[52] U.S. Cl. .... **D21/16; D21/14; D19/89**

[58] **Field of Search** ..... **D21/14-36; 273/236-285; D19/52, 87; D20/21; 40/111, 116, 117; 434/88**

[56] **References Cited**

**U.S. PATENT DOCUMENTS**

D. 244,223	5/1977	Kucera .....	D21/45
D. 296,909	7/1988	Lin .....	D21/24
D. 306,718	3/1990	Bae .....	D19/89
D. 346,366	4/1994	Kim et al. ....	D19/52
2,593,631	4/1952	Tognetti .....	273/269
2,880,330	7/1957	Pickard .....	273/254
4,445,868	5/1984	Nuttal et al. ....	434/88
4,588,192	5/1986	Laborde .....	273/240
4,600,393	7/1986	Rosenwinkel et al. ....	434/88

**FOREIGN PATENT DOCUMENTS**

931886	11/1947	France .....	273/284
198531	6/1923	United Kingdom .....	273/260
2013505	8/1979	United Kingdom .....	273/271

**OTHER PUBLICATIONS**

Parker Games 1958 Catalog, p. 26 "Sky Lanes", top.  
Hong Kong Enterprise, Oct. 1981 p. 318 Multiplay Magnetic Game Board.

*Primary Examiner*—Sandra Morris  
*Attorney, Agent, or Firm*—Robert M. Schwartz

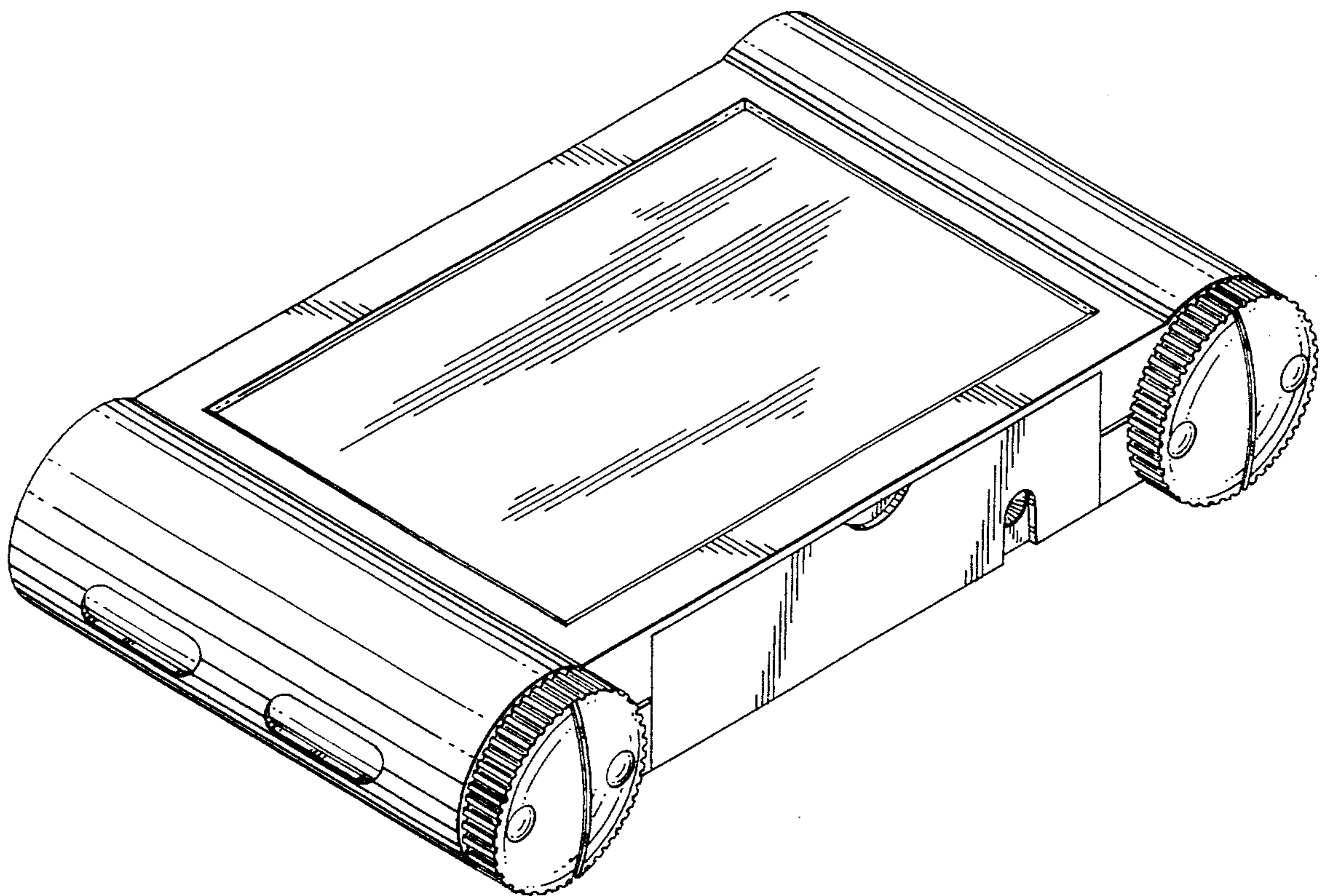
[57] **CLAIM**

The ornamental design of a hand held roller game board, as shown and described.

**DESCRIPTION**

FIG. 1 is a perspective view of the hand held roller game board of the present invention;  
FIG. 2 is a top plan view thereof;  
FIG. 3 is a right side elevational view thereof;  
FIG. 4 is a left side elevational view thereof;  
FIG. 5 is a front elevational view thereof;  
FIG. 6 is a bottom plan view thereof; and,  
FIG. 7 is a rear elevational view thereof.

**1 Claim, 3 Drawing Sheets**



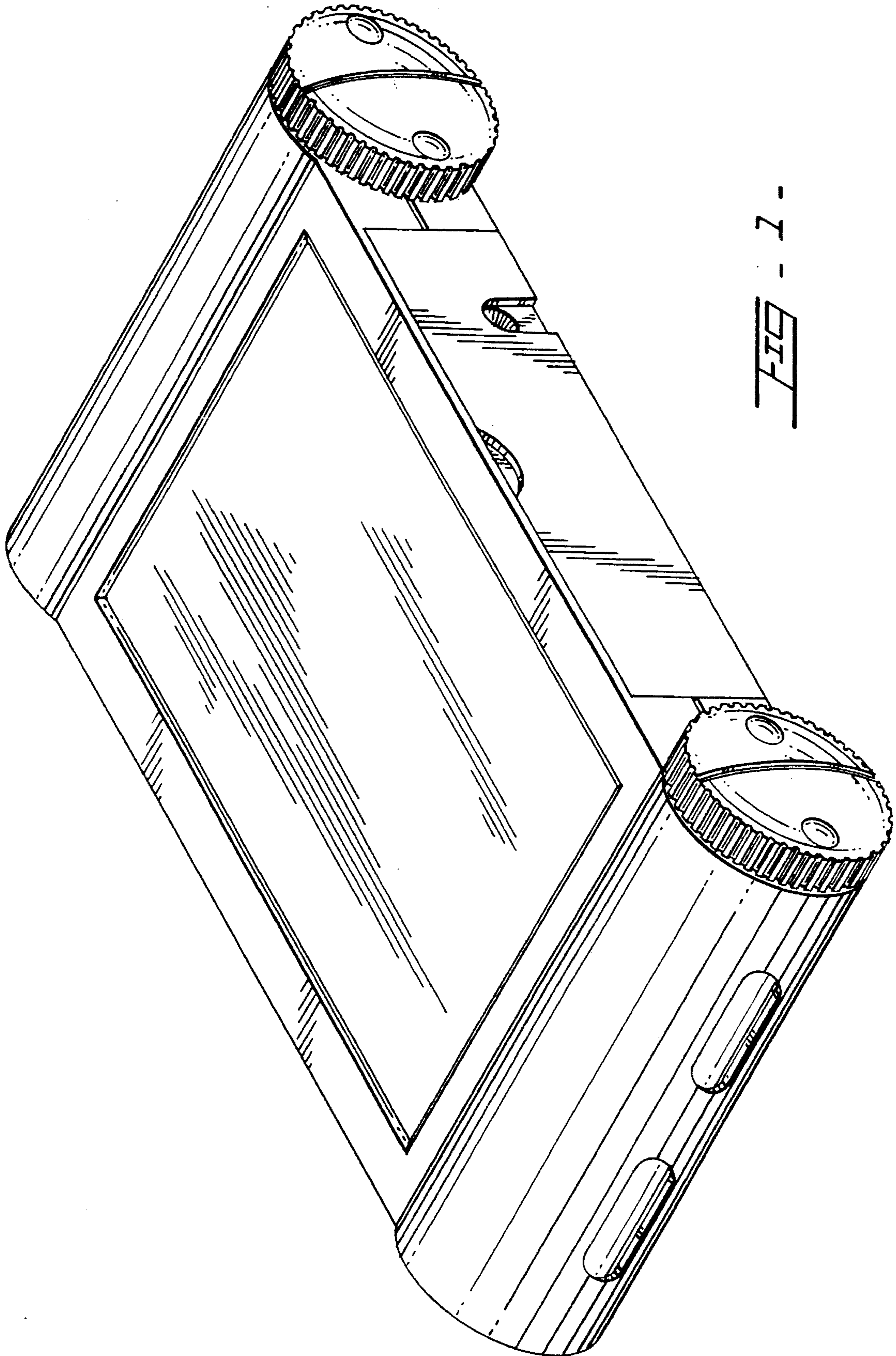


FIG. 1

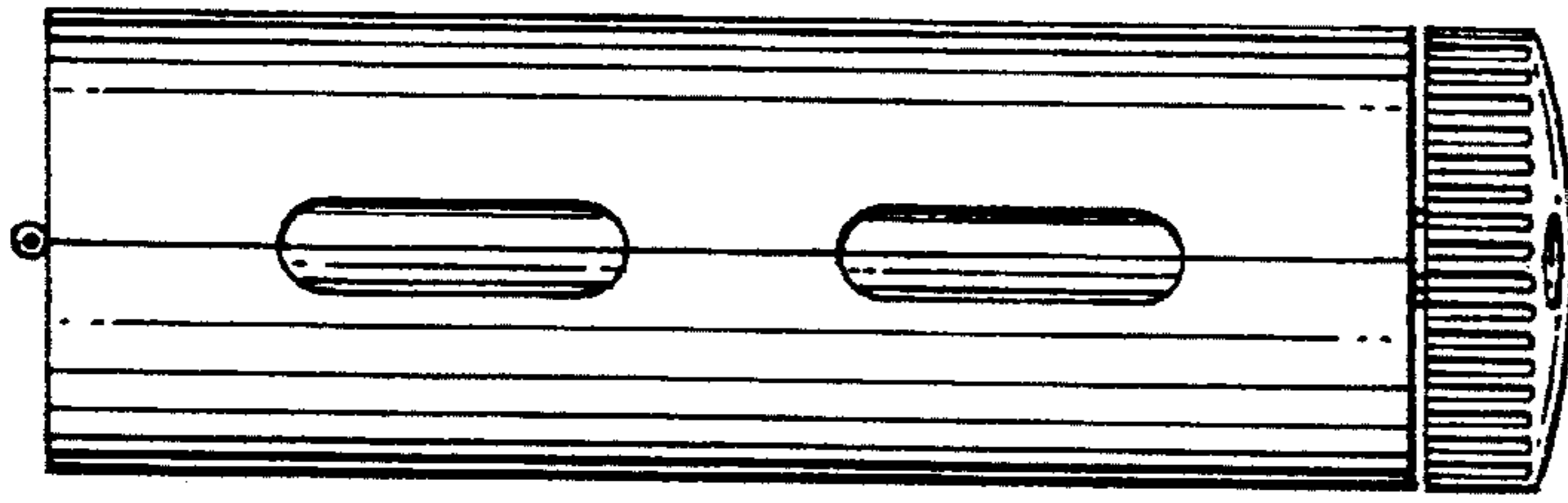


FIG. 3.

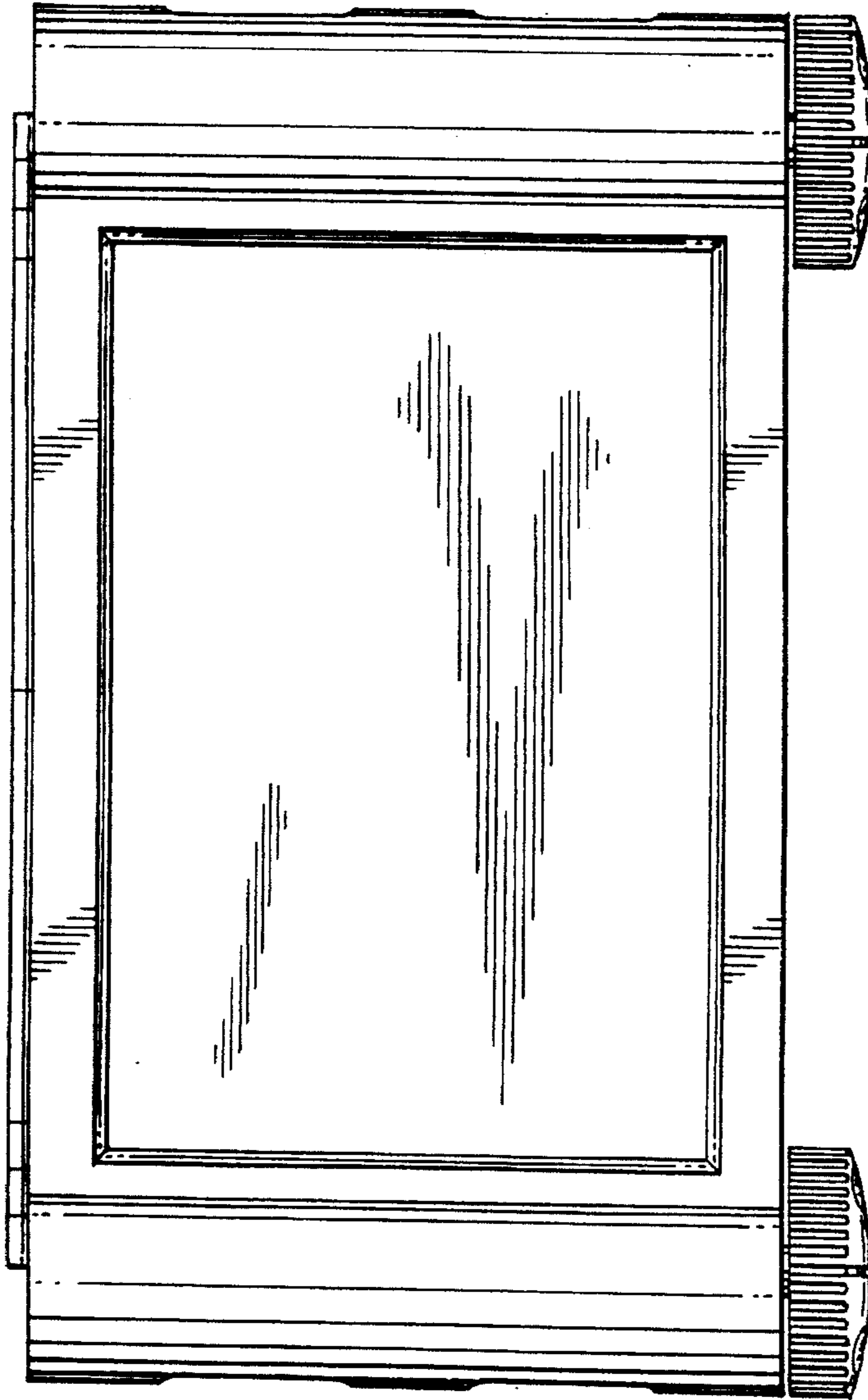


FIG. 2.

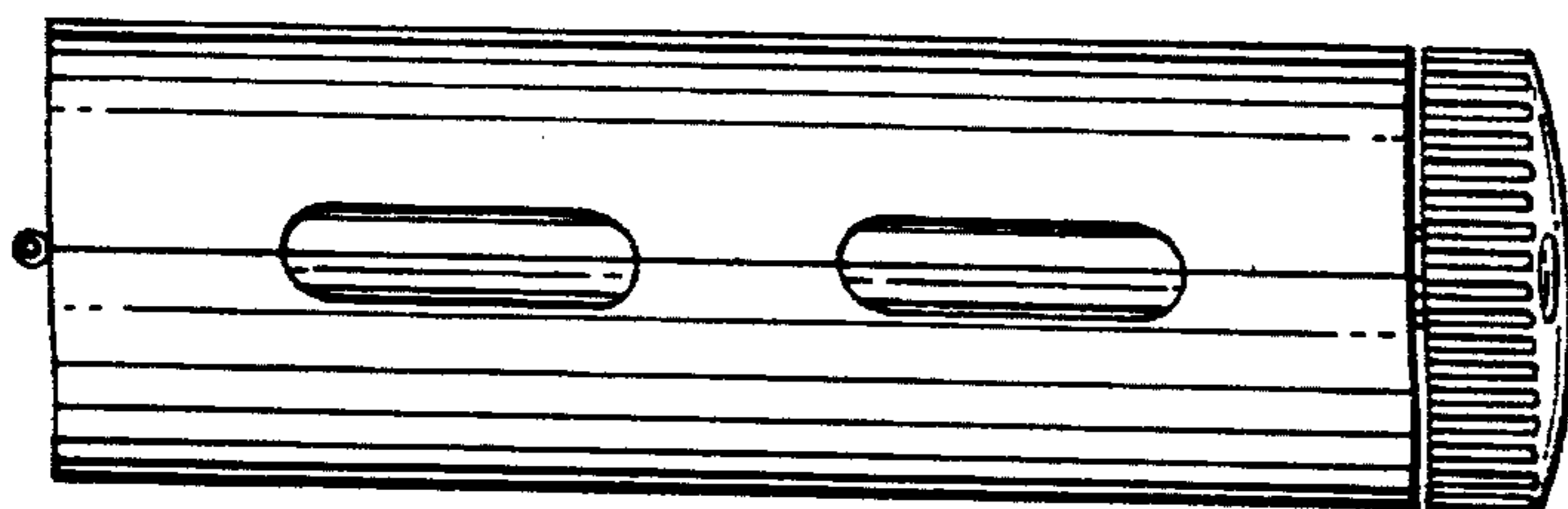


FIG. 4.

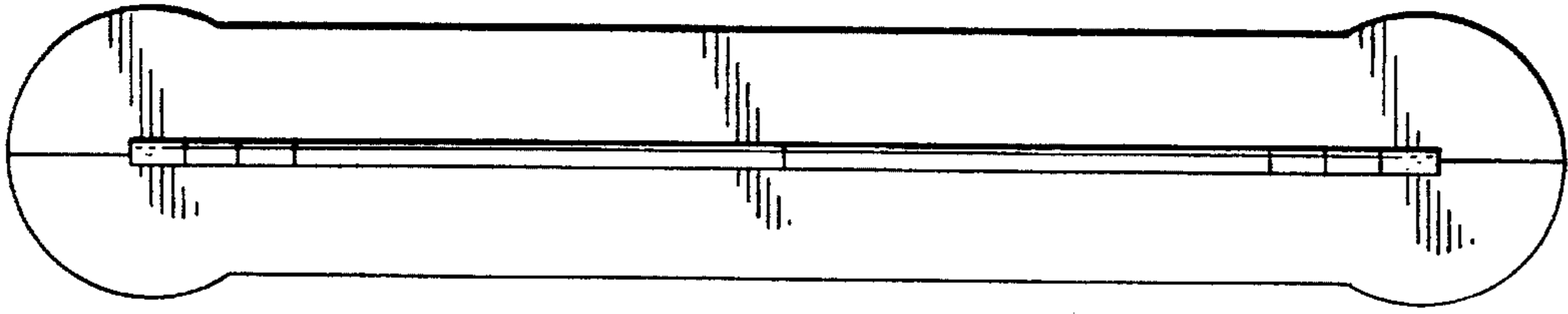


FIG. 1

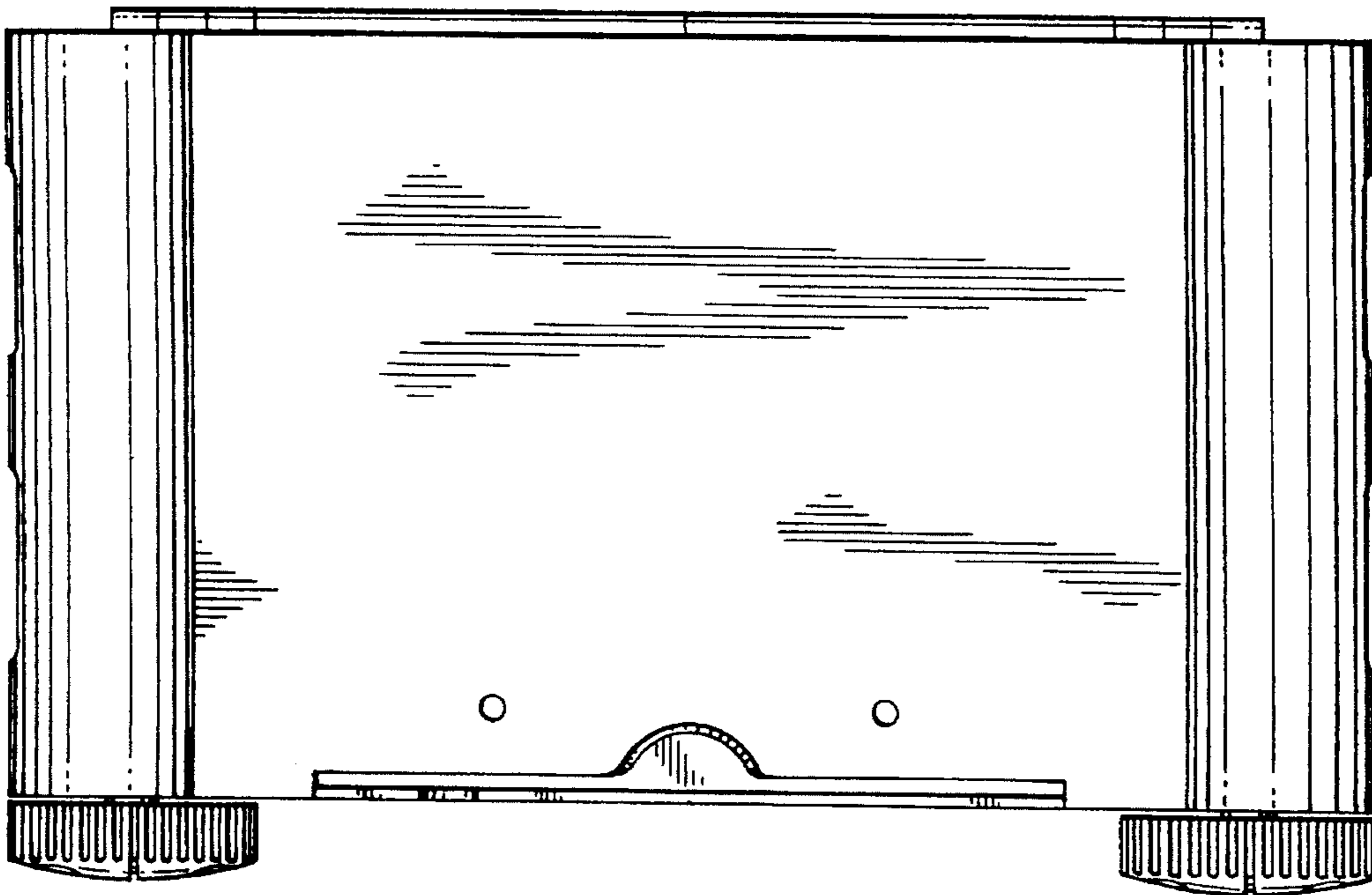


FIG. 2

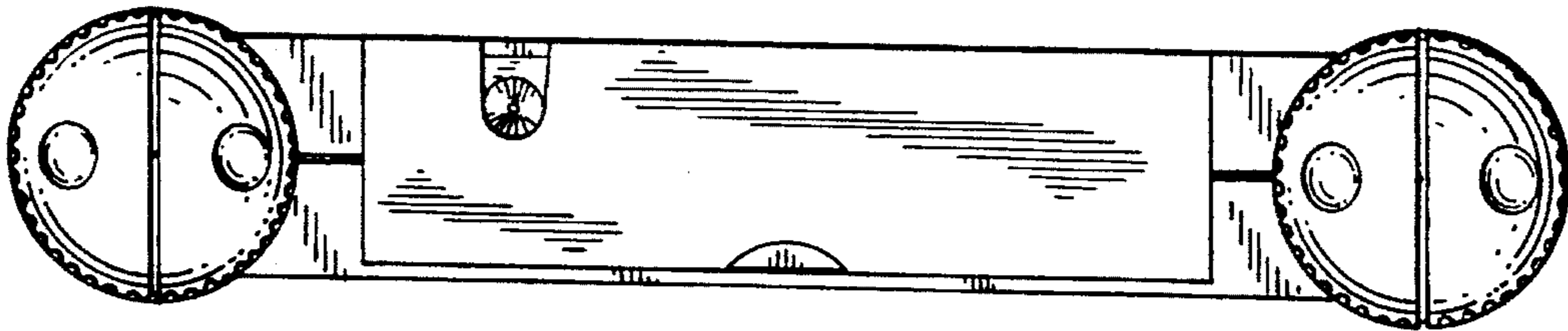


FIG. 3