



US00D363311S

United States Patent [19]

Defiglio, Jr.

[11] Patent Number: **Des. 363,311**

[45] Date of Patent: ****Oct. 17, 1995**

[54] **DESKTOP PENCIL AND ACCESSORIES HOLDER**

[75] Inventor: **Anthony E. Defiglio, Jr.**, Buffalo Grove, Ill.

[73] Assignee: **Nina Enterprises, Inc.**, Chicago, Ill.

[**] Term: **14 Years**

[21] Appl. No.: **32,743**

[22] Filed: **Dec. 27, 1994**

[52] U.S. Cl. **D19/77; D19/85; D19/95**

[58] **Field of Search** D19/35, 36, 65, D19/75, 77, 78, 81-85, 95, 99, 100; D7/641, 637; D9/341; 206/224, 214, 371; 211/69, 69.1-69.9, 168, 170, 60 R

[56] **References Cited**

U.S. PATENT DOCUMENTS

D. 202,711	11/1965	Philpitt	D19/96 X
D. 270,845	10/1983	Hansen	D19/85
D. 296,116	6/1988	Klodt	D19/85
D. 326,113	5/1992	Galante	D19/78
D. 329,359	9/1992	Eggen	D19/77 X
D. 329,663	9/1992	Galante	D19/75 X

D. 354,517	1/1995	Defiglio, Jr.	D19/77
3,593,856	7/1971	Zander	211/69.5
4,318,478	3/1982	DeWinter	211/60 R
4,494,660	1/1985	Hansen	211/69.1
4,538,736	9/1985	Berger	211/69.5

Primary Examiner—Martie Thompson
Attorney, Agent, or Firm—Gregory B. Beggs

[57] **CLAIM**

The ornamental design for a desktop pencil and accessories holder, as shown and described.

DESCRIPTION

FIG. 1 is a perspective view of the desktop pencil and accessories holder according to the invention; FIG. 2 is a front elevational view of the desktop pencil and accessories holder in FIG. 1; FIG. 3 is a top plan view of the desktop pencil and accessories holder in FIG. 1; FIG. 4 is a rear elevational view of the desktop pencil and accessories holder in FIG. 1; FIG. 5 is a side elevational view of the desktop pencil and accessories holder in FIG. 1; and, FIG. 6 is a bottom plan view of the desktop pencil and accessories holder in FIG. 1.

1 Claim, 3 Drawing Sheets

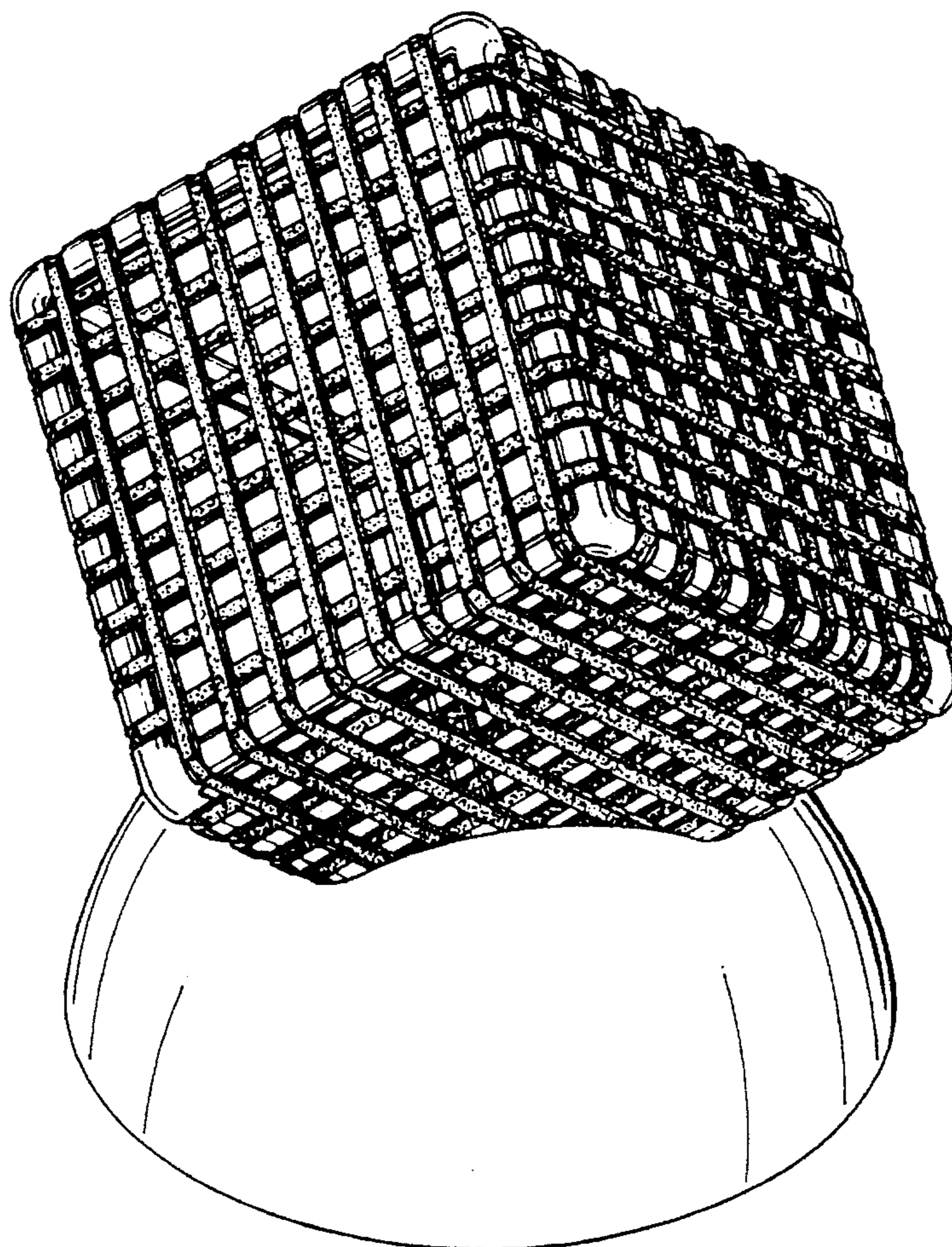


Fig. 1

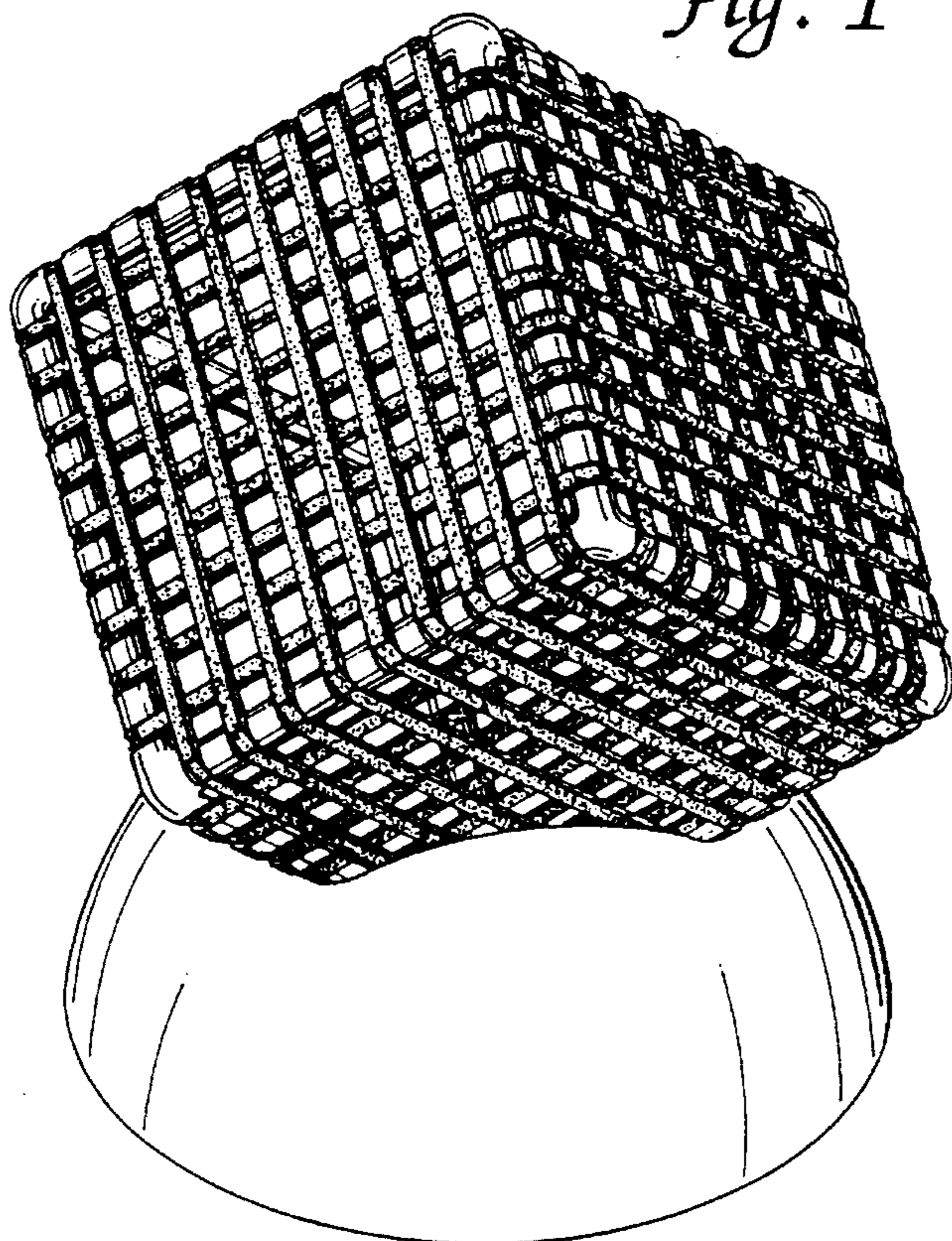
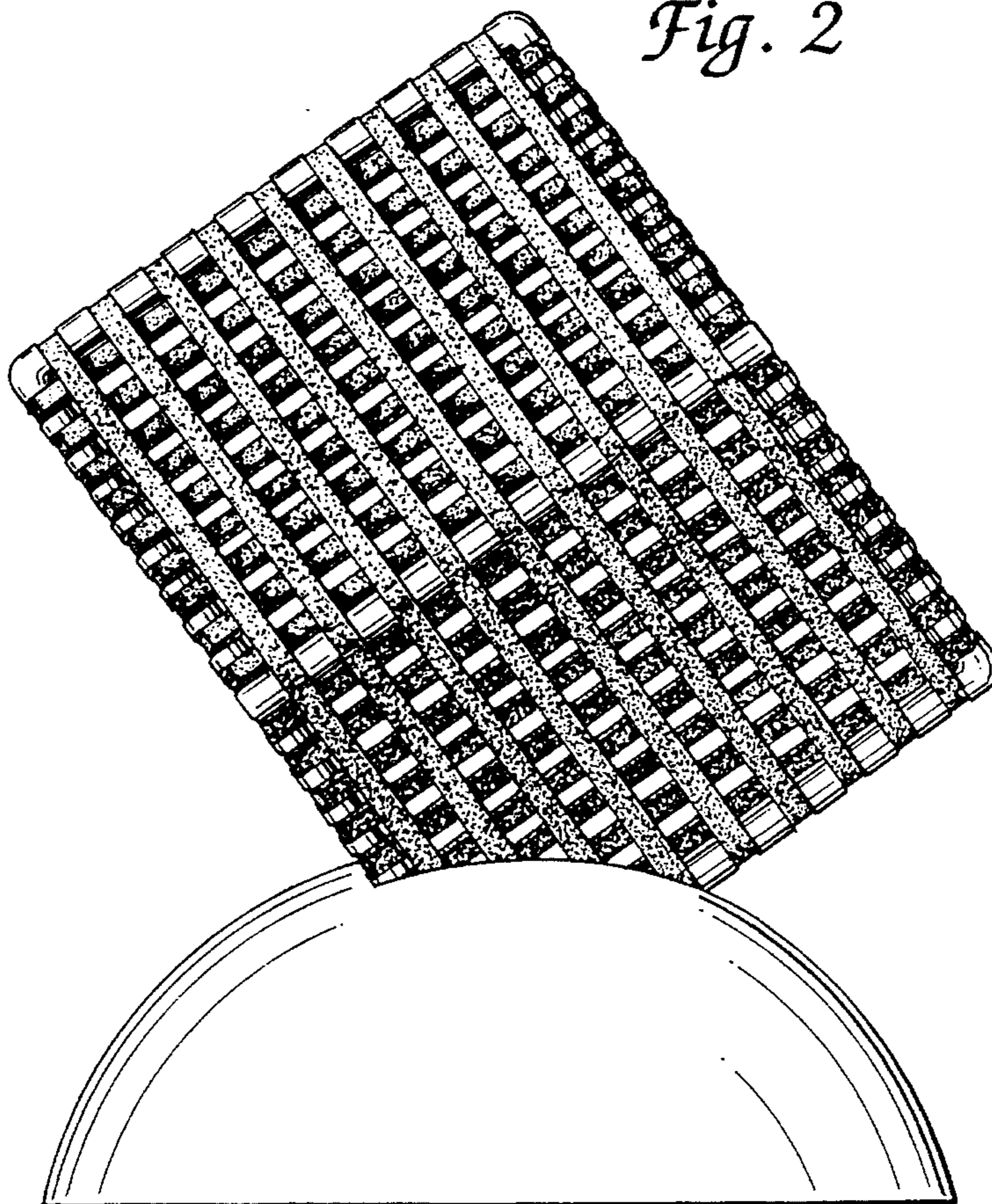
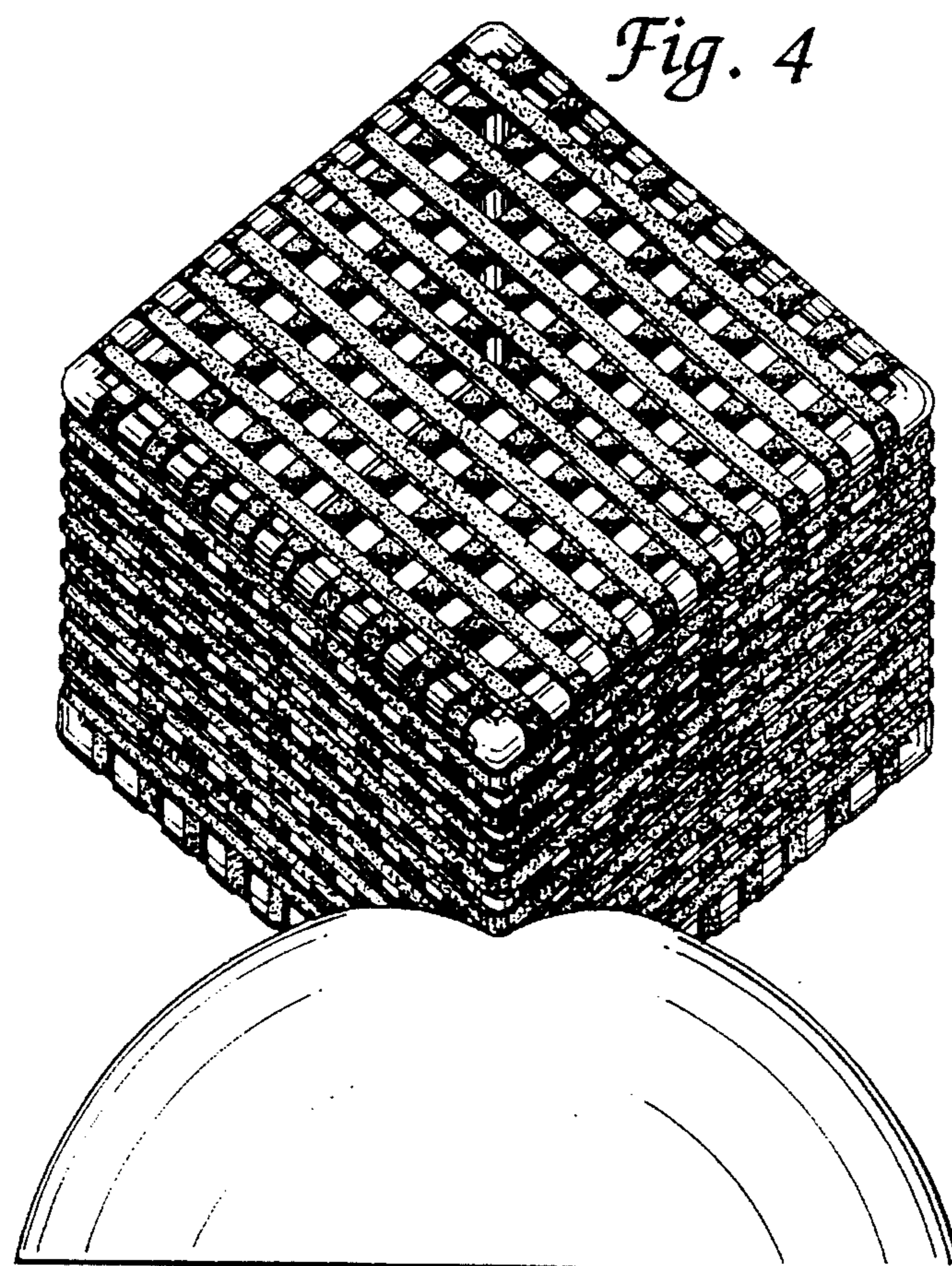
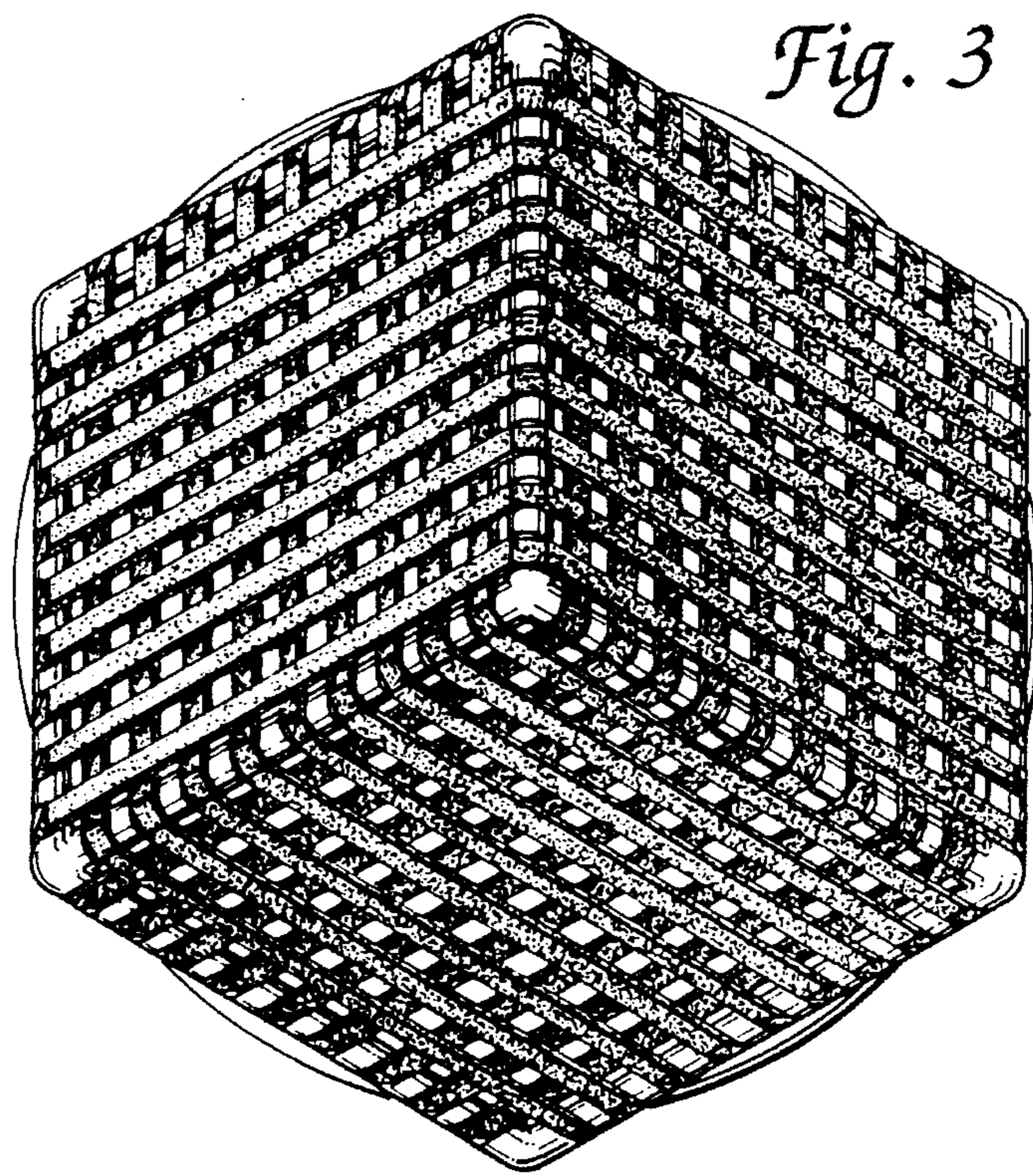
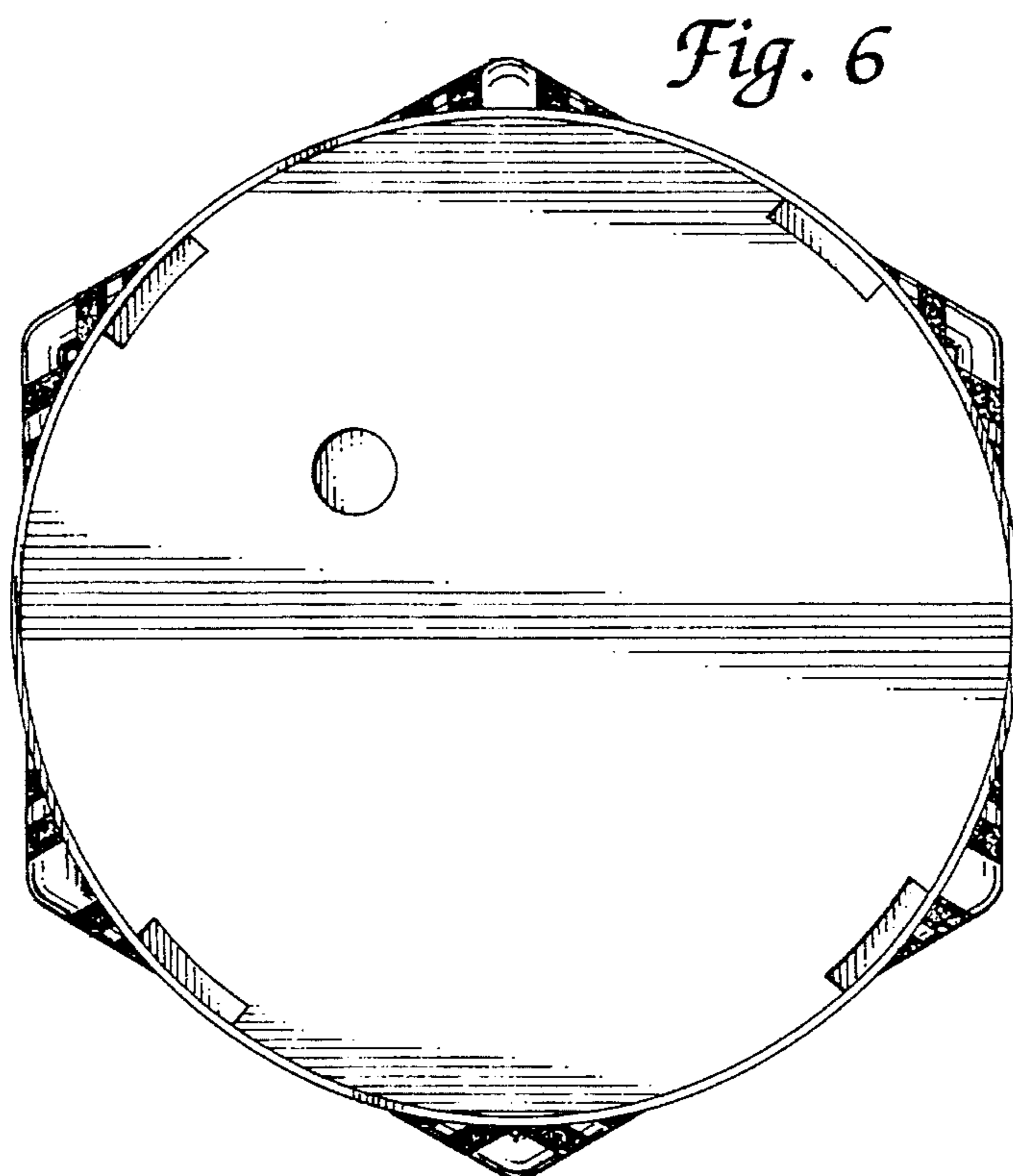
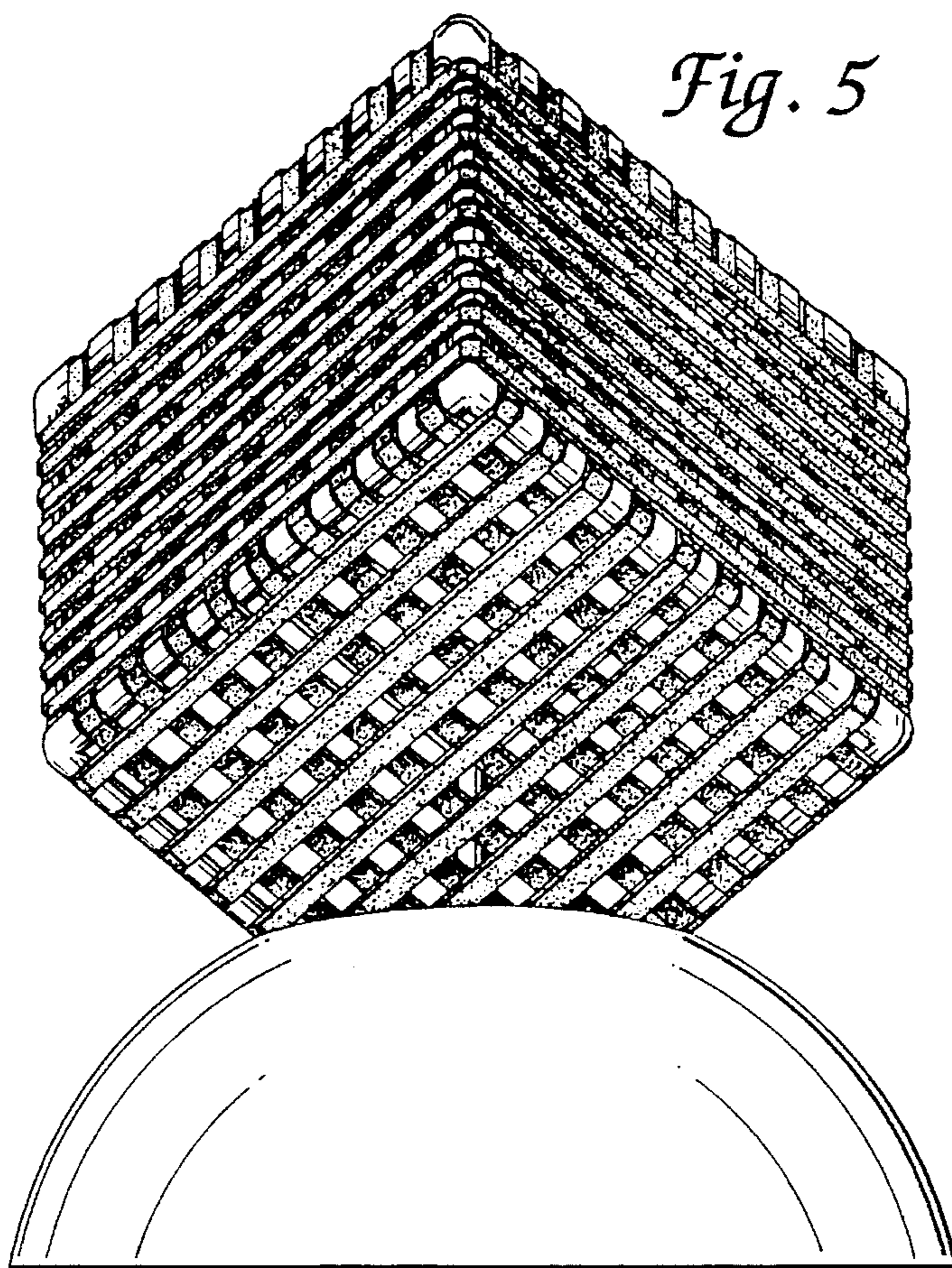


Fig. 2







UNITED STATES PATENT AND TRADEMARK OFFICE
CERTIFICATE OF CORRECTION

PATENT NO. : DES. 363,311
DATED : October 17, 1995
INVENTOR(S) : Anthony E. Difiglio, Jr.

It is certified that error appears in the above-identified patent and that said Letters Patent is hereby corrected as shown below:

On title page, item [19] "DeSiglio, Jr.; should be -Difiglio, Jr.--
and item [75] should read --Anthony E. Difiglio, Jr.,
Buffalo Grove, IL--

Signed and Sealed this
Twenty-seventh Day of February, 1996

Attest:



BRUCE LEHMAN

Attesting Officer

Commissioner of Patents and Trademarks