



US00D363306S

United States Patent [19]

Eto et al.

[11] Patent Number: **Des. 363,306**

[45] Date of Patent: ****Oct. 17, 1995**

[54] **COMPUTER OUTPUT PRINTER**

[75] Inventors: **Masayoshi Eto; Masami Goto; Takuji Katsutani; Masakatsu Takizawa**, all of Tokyo, Japan

[73] Assignee: **NEC Corporation**, Tokyo, Japan

[**] Term: **14 Years**

[21] Appl. No.: **18,659**

[22] Filed: **Feb. 14, 1994**

[30] **Foreign Application Priority Data**

Sep. 14, 1993 [JP] Japan 5-27899

[52] U.S. Cl. **D18/54**

[58] Field of Search D18/50, 54, 55;
400/88, 613, 613.1-613.4, 690-694, 690.1-690.4;
347/108, 170, 264, 245, 222

[56] **References Cited**

U.S. PATENT DOCUMENTS

- D. 321,363 11/1991 Hirose et al. D18/54
- D. 331,774 12/1992 Saeki D18/55
- D. 342,755 12/1993 Iwamoto et al. D18/55
- D. 343,636 1/1994 Horie et al. D18/55

OTHER PUBLICATIONS

NEC Pinwriter® P5200 Users guide by NEC Information System, Inc., Nov. 1988.
W. Bell & Co. Catalog; p. 44, Star Color Impact Printer;

#2-37401K.

Byte Magazine; Apr. 1984; p. 173, Star Delta 15 Printer Advertisement.

Comrex International Inc., Brochure Comriter CR-1 Daisy Wheel Printer.

Creative Computing Magazine; May 1984; p. 176; The Olympia Electronic Compact RO Printer.

Creative Computing Magazine; May 1984; p. 180; The Juki 6100 Daisy Wheel Printer.

EPSON. Der Unterschied brochure, 2 pages; LQ-850; Mar. 1990.

NEC-Pinwriter P3200/P3300 Cat. No. E51437, Rev. 01 Oct. 90.

Primary Examiner—Cathy Anne MacCormac

Attorney, Agent, or Firm—Sughrue, Mion, Zinn, Macpeak & Seas

[57] **CLAIM**

The ornamental design for a computer output printer, as shown.

DESCRIPTION

FIG. 1 is a perspective view of the top, front and right side of a computer output printer showing our new design; FIG. 2 is a front elevational view thereof; FIG. 3 is a rear elevational view thereof; FIG. 4 is a right side elevational view thereof; FIG. 5 is a left side elevational view thereof; FIG. 6 is a top plan view thereof; and, FIG. 7 is a bottom plan view thereof.

1 Claim, 3 Drawing Sheets

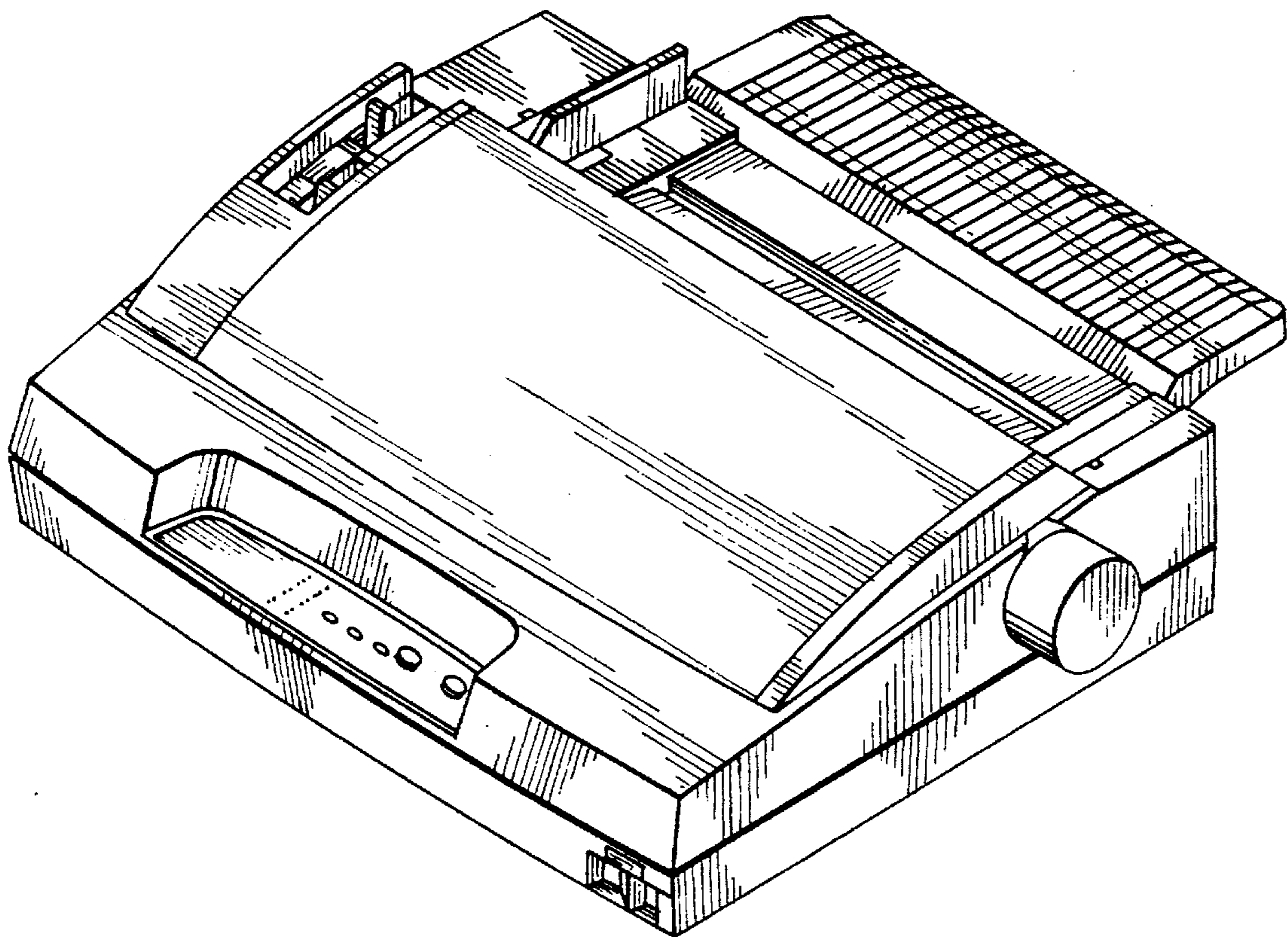


FIG. 1

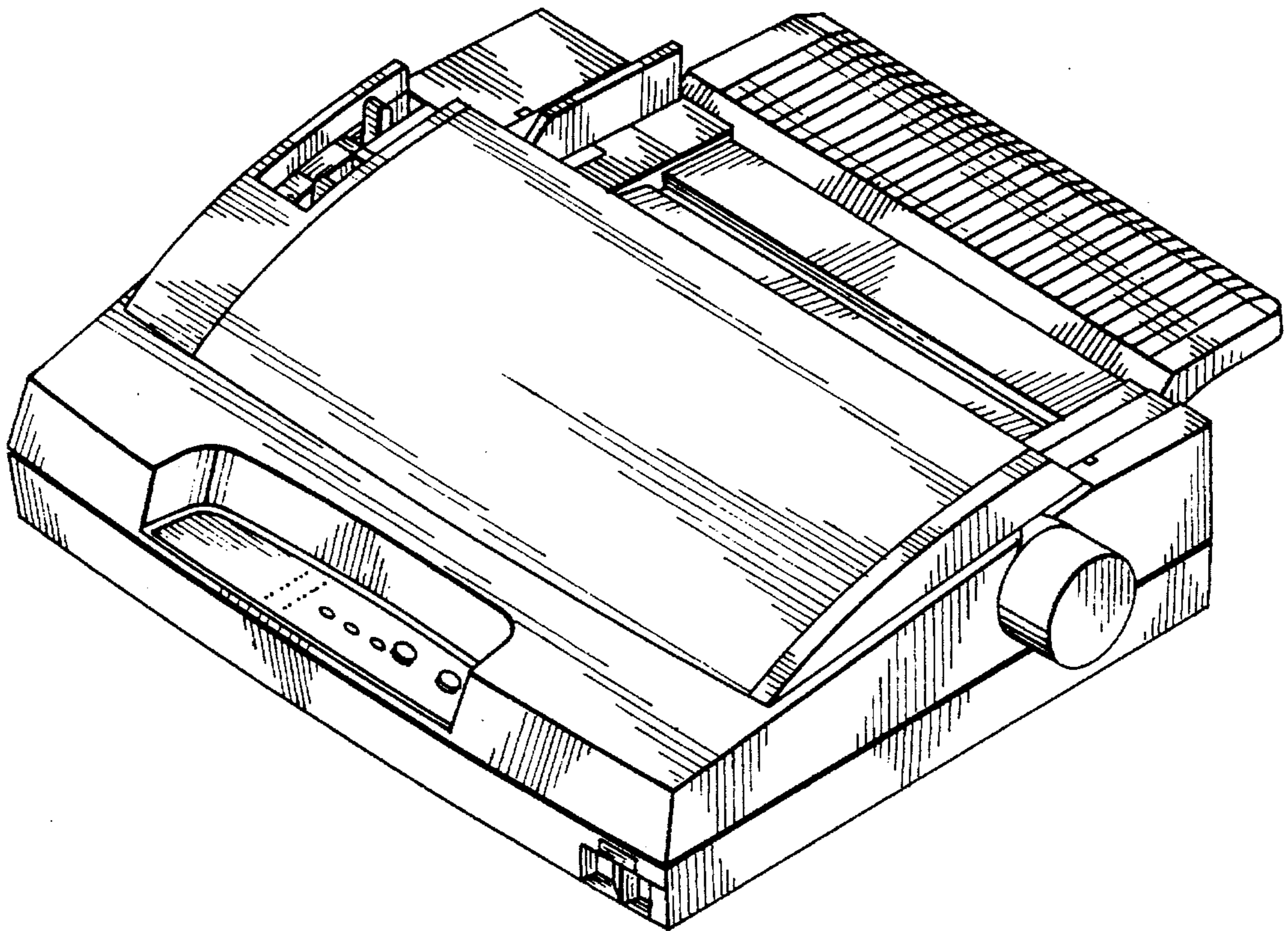


FIG. 2

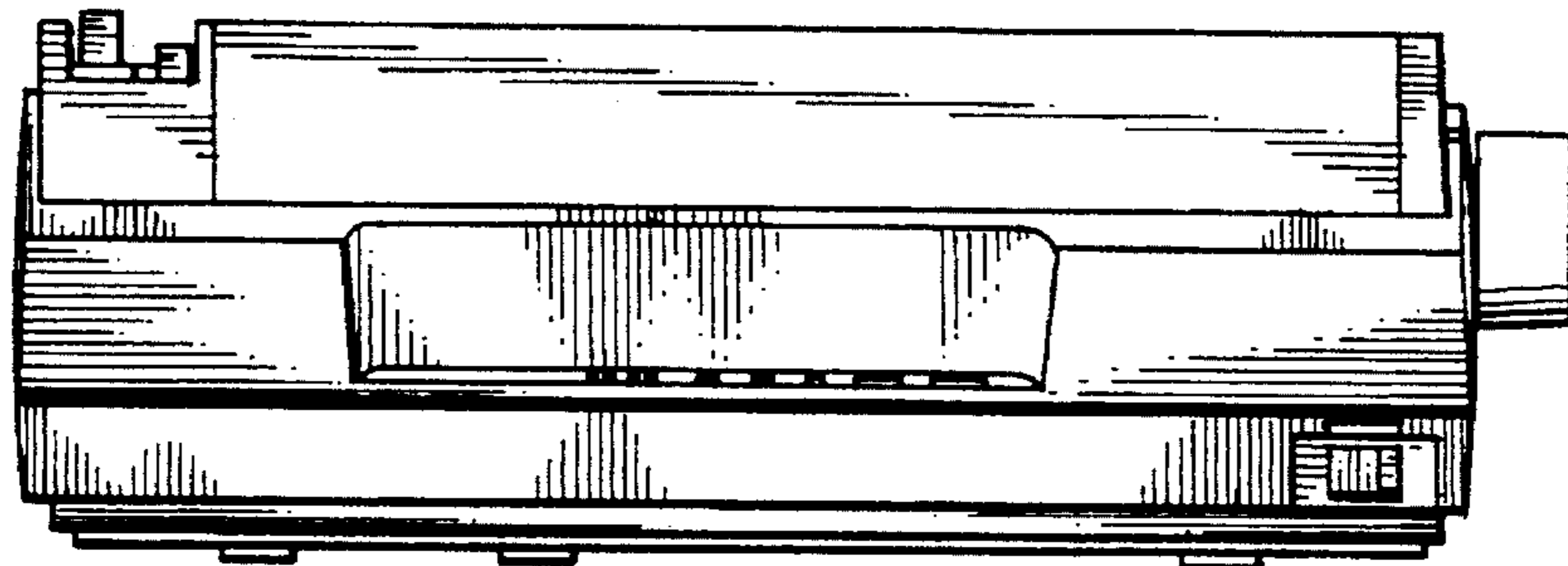


FIG. 3

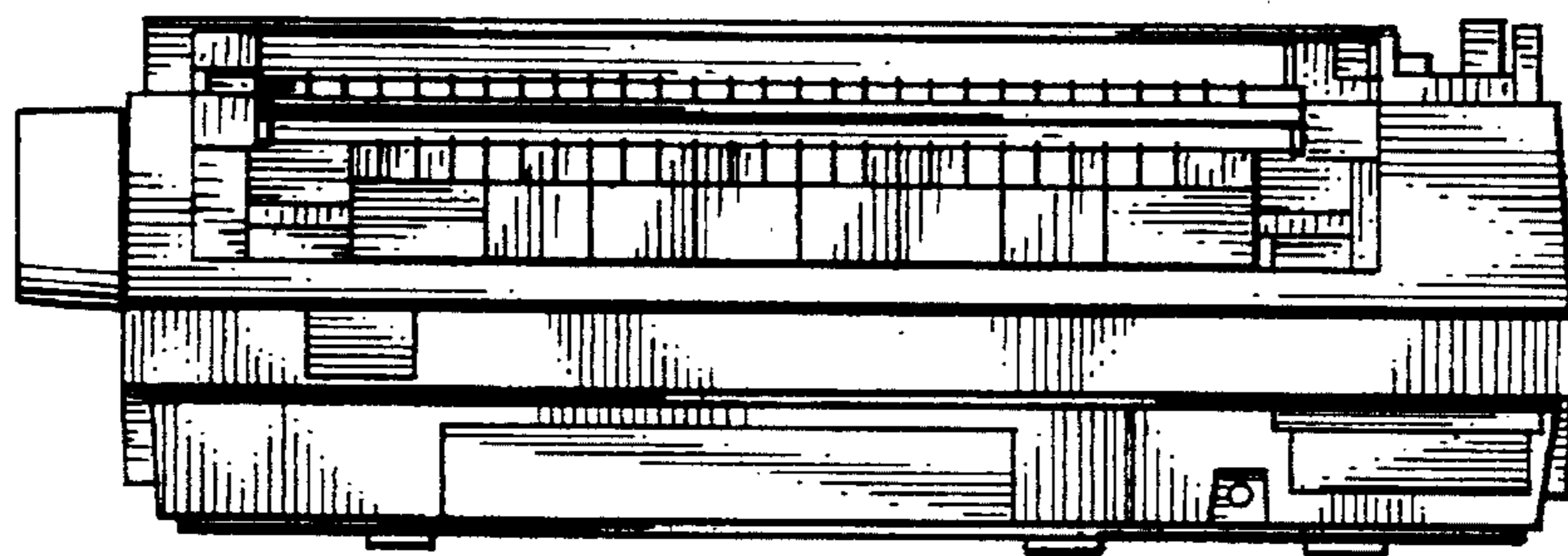


FIG. 4

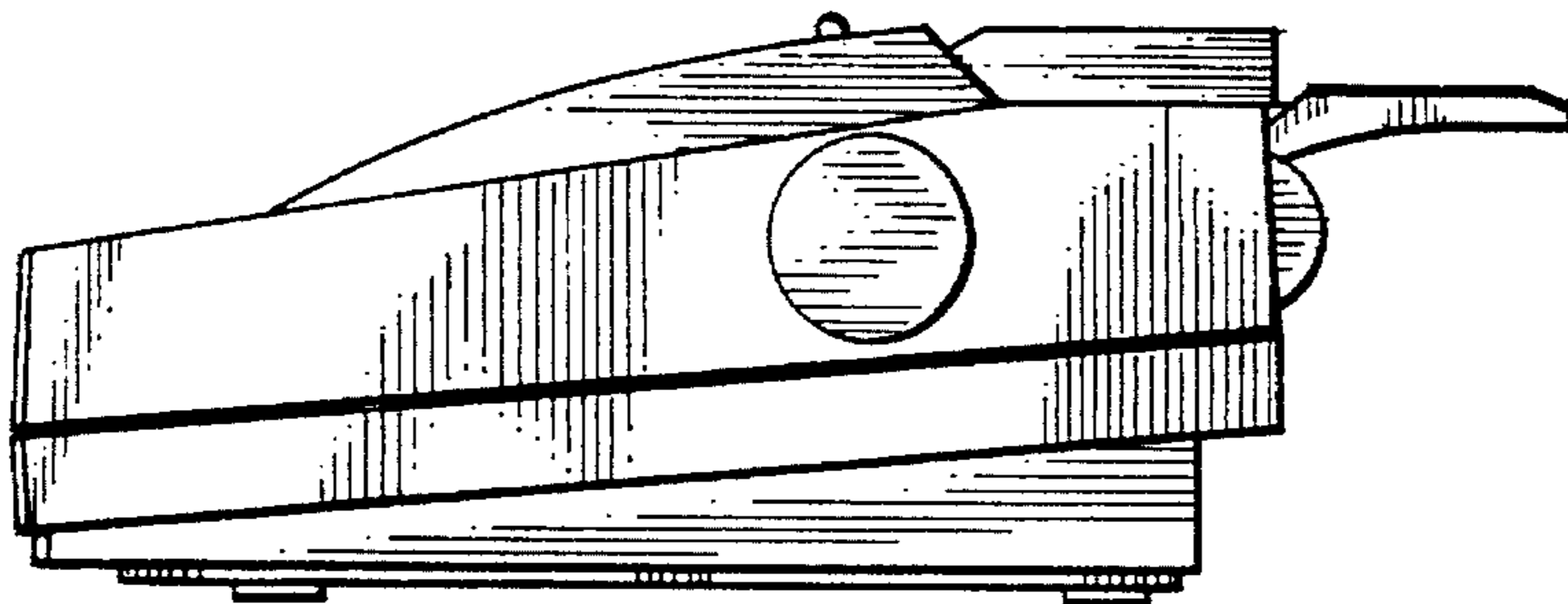


FIG. 5

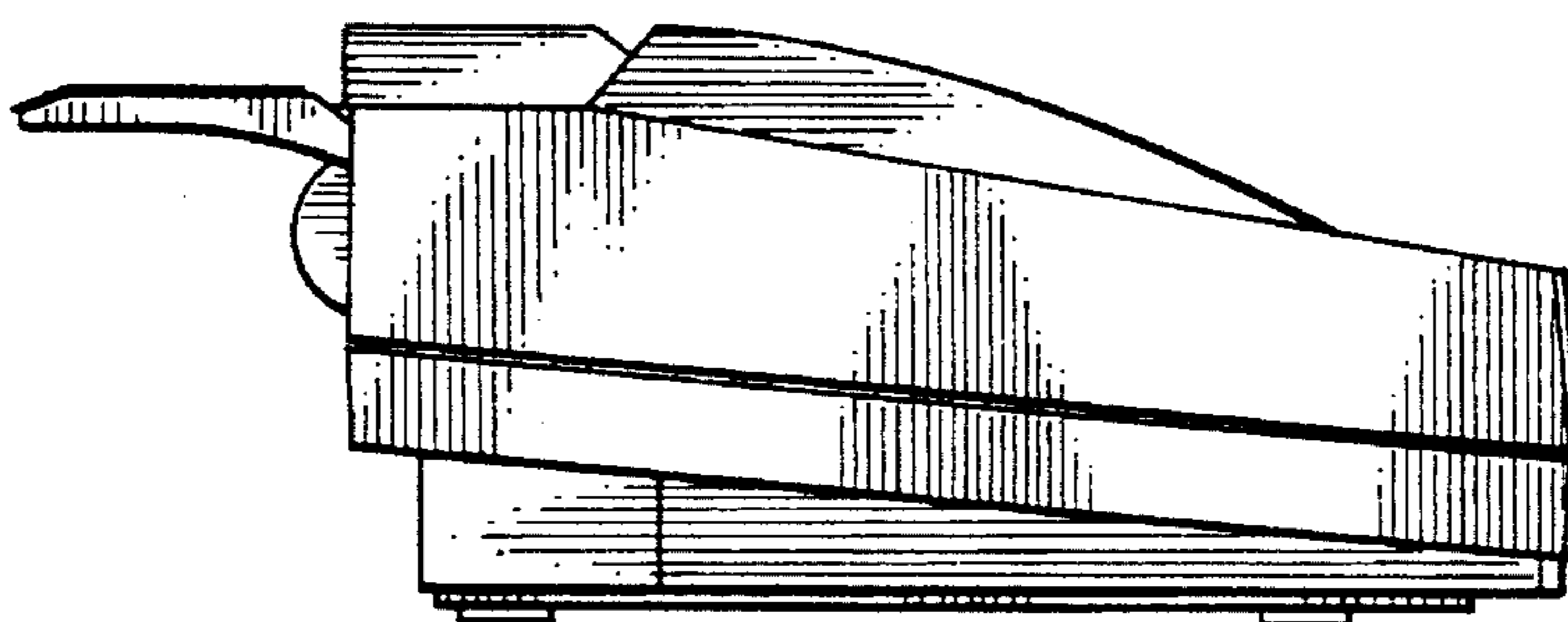


FIG. 6

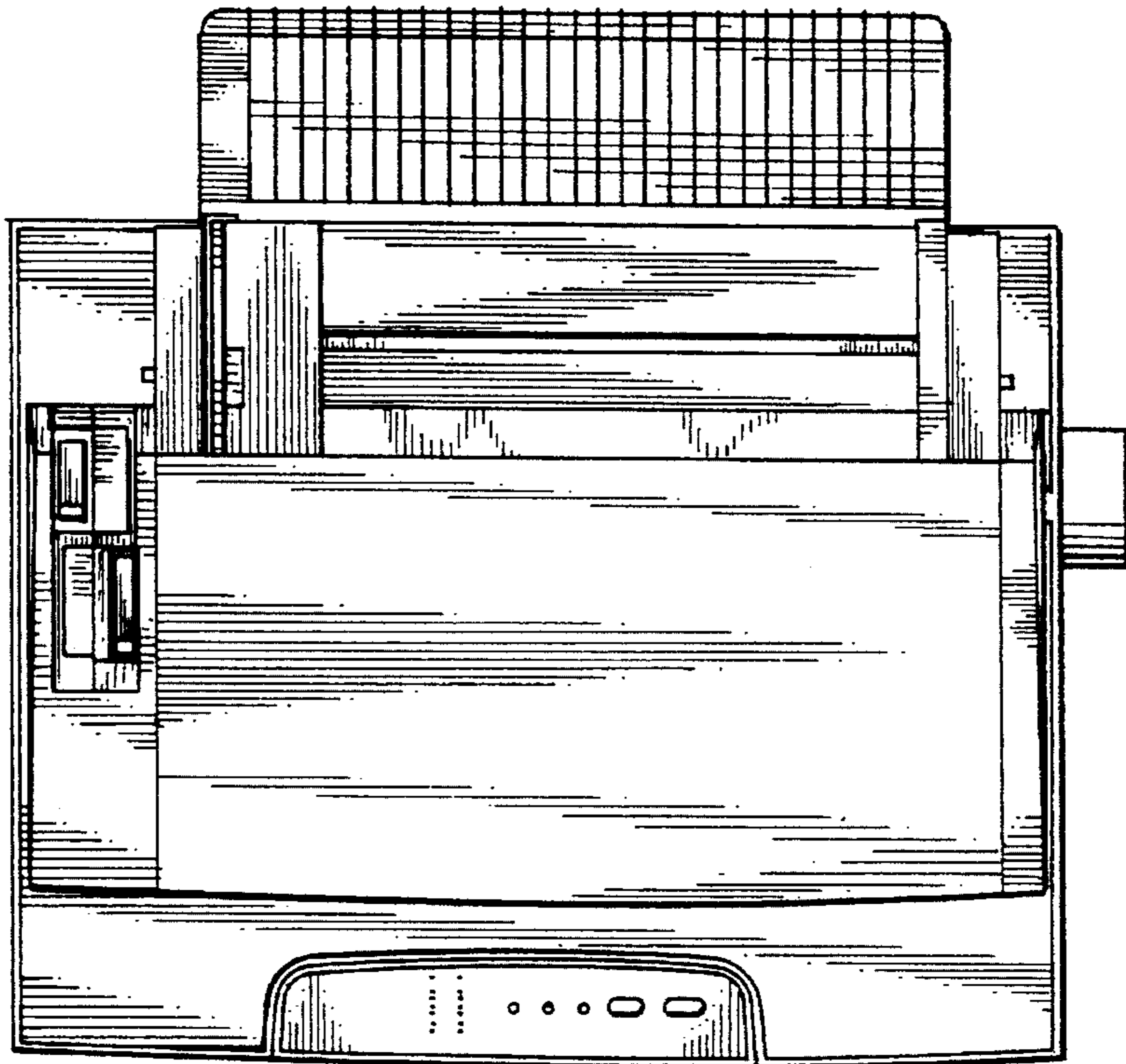


FIG. 7

