



US00D363305S

United States Patent [19]

Nishioka et al.

[11] Patent Number: **Des. 363,305**

[45] Date of Patent: ****Oct. 17, 1995**

[54] **TONER CARTRIDGE**

[75] Inventors: **Nobuhiro Nishioka; Seitaro Yoshida,**
both of Osaka, Japan

[73] Assignee: **Mita Industrial Co., Ltd.,** Osaka,
Japan

[**] Term: **14 Years**

[21] Appl. No.: **8,775**

[22] Filed: **May 26, 1993**

[52] U.S. Cl. **D18/43**

[58] **Field of Search** D18/43, 40, 22;
D9/338, 500, 504, 508, 518, 528, 529,
530; 118/657; 141/1; 206/216, 316, 446,
461, 474, 467, 495, 527, 532, 601, 628,
631, 633; 222/166, 325, 240, 541, DIG. 1;
355/200, 244, 245, 260, 298

[56] **References Cited**

U.S. PATENT DOCUMENTS

- D. 284,865 7/1986 Gendron D18/43
- D. 298,332 11/1988 Yoshiyama D18/43
- D. 350,768 9/1994 Kishino D18/43
- 4,963,939 10/1990 Kurando et al. D18/43 X

FOREIGN PATENT DOCUMENTS

0041068 3/1985 Japan 355/260

Primary Examiner—Alan P. Douglas
Assistant Examiner—Caron D. Veynar
Attorney, Agent, or Firm—Beveridge, DeGrandi, Weilacher
& Young

[57] **CLAIM**

The ornamental design of a toner cartridge, as shown.

DESCRIPTION

FIG. 1 is a top plan view of a toner cartridge showing my new design;
FIG. 2 is a front elevational view thereof;
FIG. 3 is a rear elevational view thereof;
FIG. 4 is a bottom plan view thereof;
FIG. 5 is a left side elevational view thereof;
FIG. 6 is a right side elevational view thereof;
FIG. 7 is a top and right front perspective view thereof;
FIG. 8 is a cross section view taken along line 8—8 on FIG. 1; and,
FIG. 9 is a cross section view taken along line 9—9 on FIG. 1.

1 Claim, 3 Drawing Sheets

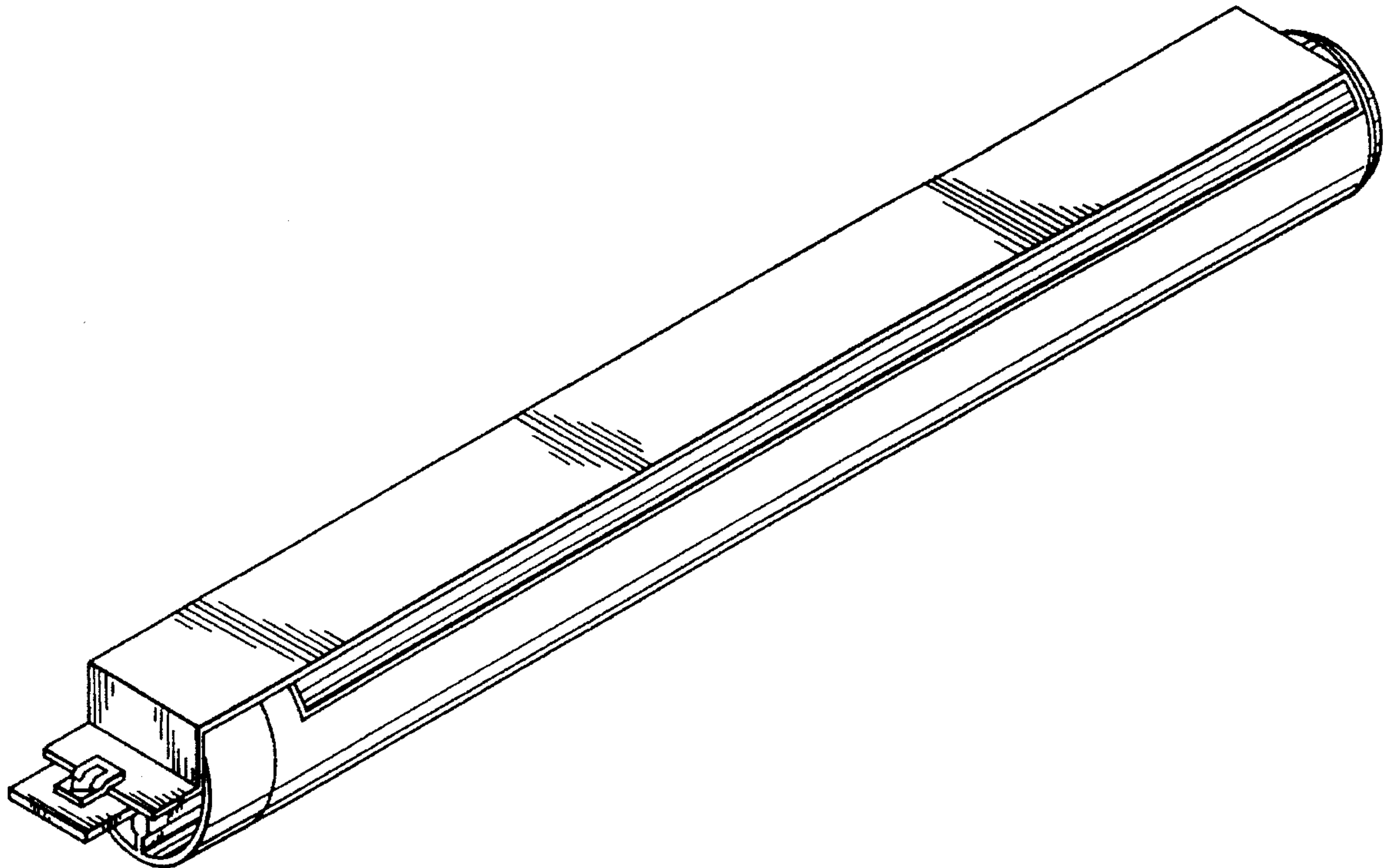


FIG. 1

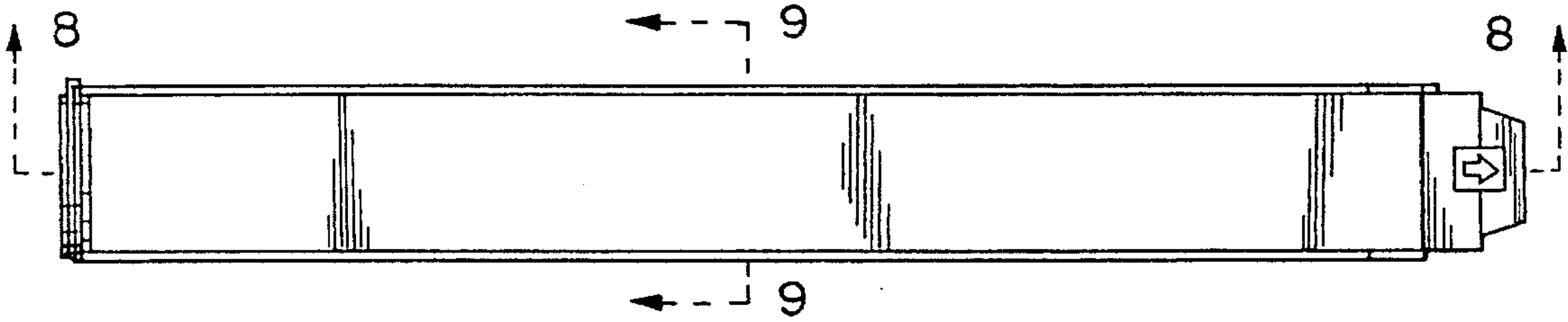


FIG. 2

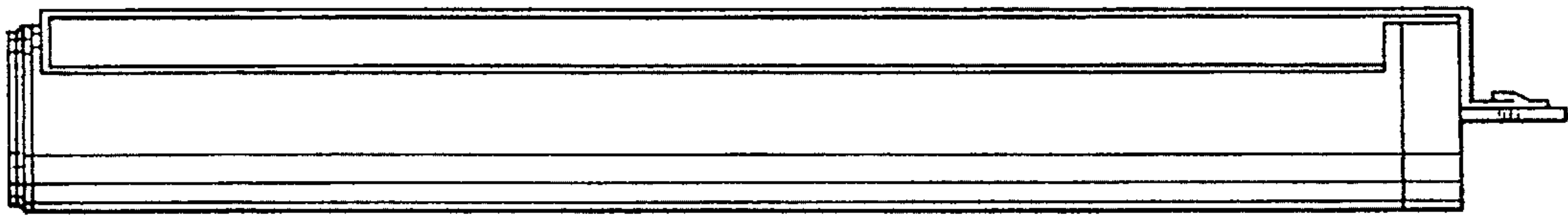


FIG. 3

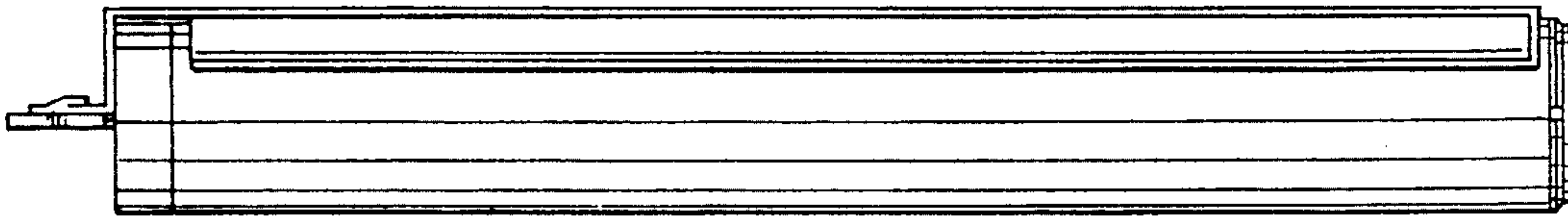


FIG. 4

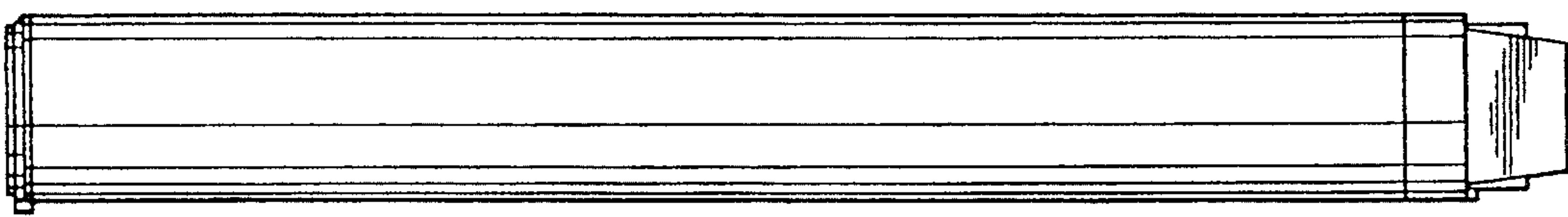


FIG. 5

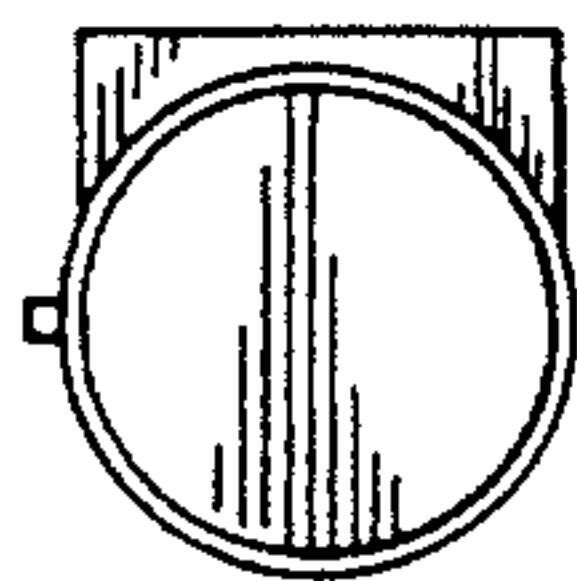


FIG. 6

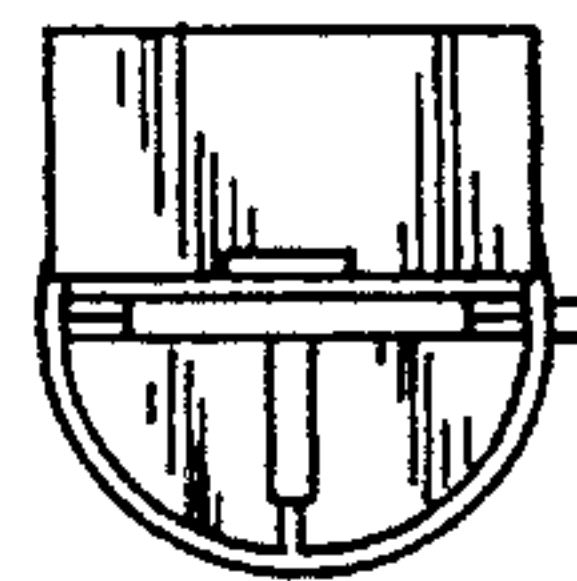


FIG. 7

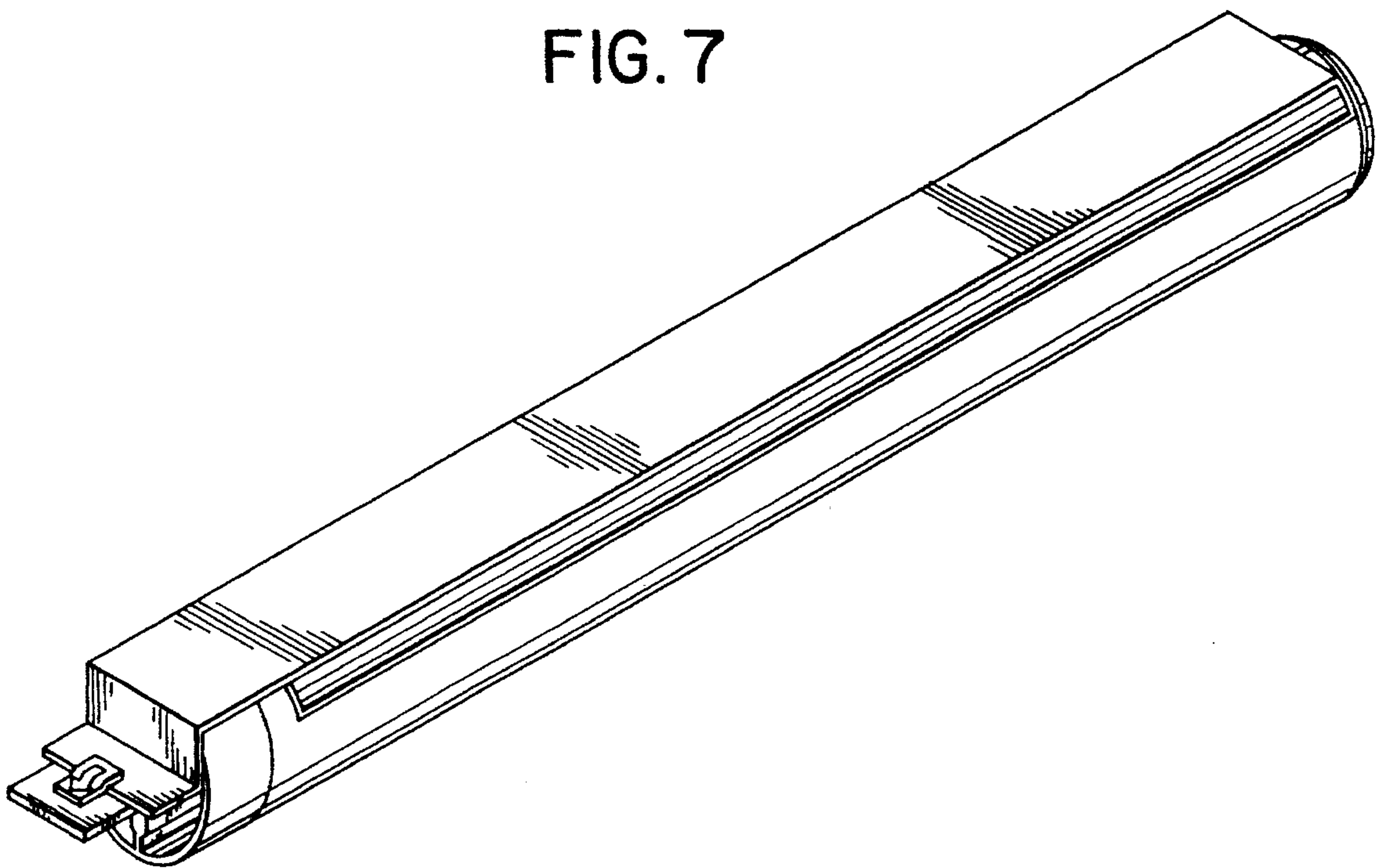


FIG. 8

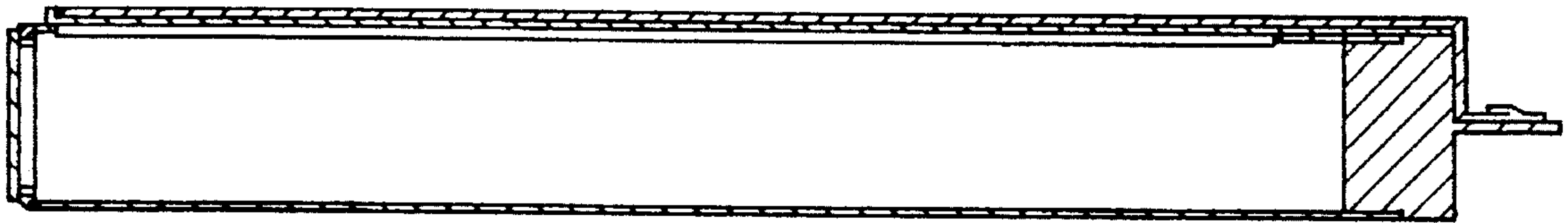


FIG. 9

