



US00D363300S

United States Patent [19]
Schwartz

[11] **Patent Number: Des. 363,300**
[45] **Date of Patent: **Oct. 17, 1995**

[54] **COLLIMATING MAGNIFIER**
[75] Inventor: **Seymour Schwartz**, Morristown, N.J.
[73] Assignee: **Caprock Developments, Inc.**, Morris Plains, N.J.
[**] Term: **14 Years**
[21] Appl. No.: **8,936**
[22] Filed: **Jun. 1, 1993**
[52] U.S. Cl. **D16/135**
[58] Field of Search **D16/130, 135;**
359/802, 803, 804, 808, 809, 817, 815,
894, 895, 436, 440, 442, 829

3,672,749 6/1972 Roser 359/894
3,684,349 8/1972 Karp 359/436
4,053,765 10/1977 Kuffer 359/442 X
4,215,916 8/1980 Bell et al. 359/894 X
5,210,647 5/1993 Hartnagel et al. 359/809 X

Primary Examiner—Doris V. Coles
Attorney, Agent, or Firm—Frank S. Chow

[57] **CLAIM**

The ornamental design for a collimating magnifier, as shown and described.

DESCRIPTION

FIG. 1 is a perspective view of my collimating magnifier; FIG. 2 is a side elevational view of my collimating magnifier the opposite side being a mirror image thereof; FIG. 3 is a top plan view of my collimating magnifier; and, FIG. 4 is a bottom plan view of my collimating magnifier.

[56] **References Cited**
U.S. PATENT DOCUMENTS
3,410,635 11/1968 Lockwood 359/808 X

1 Claim, 1 Drawing Sheet

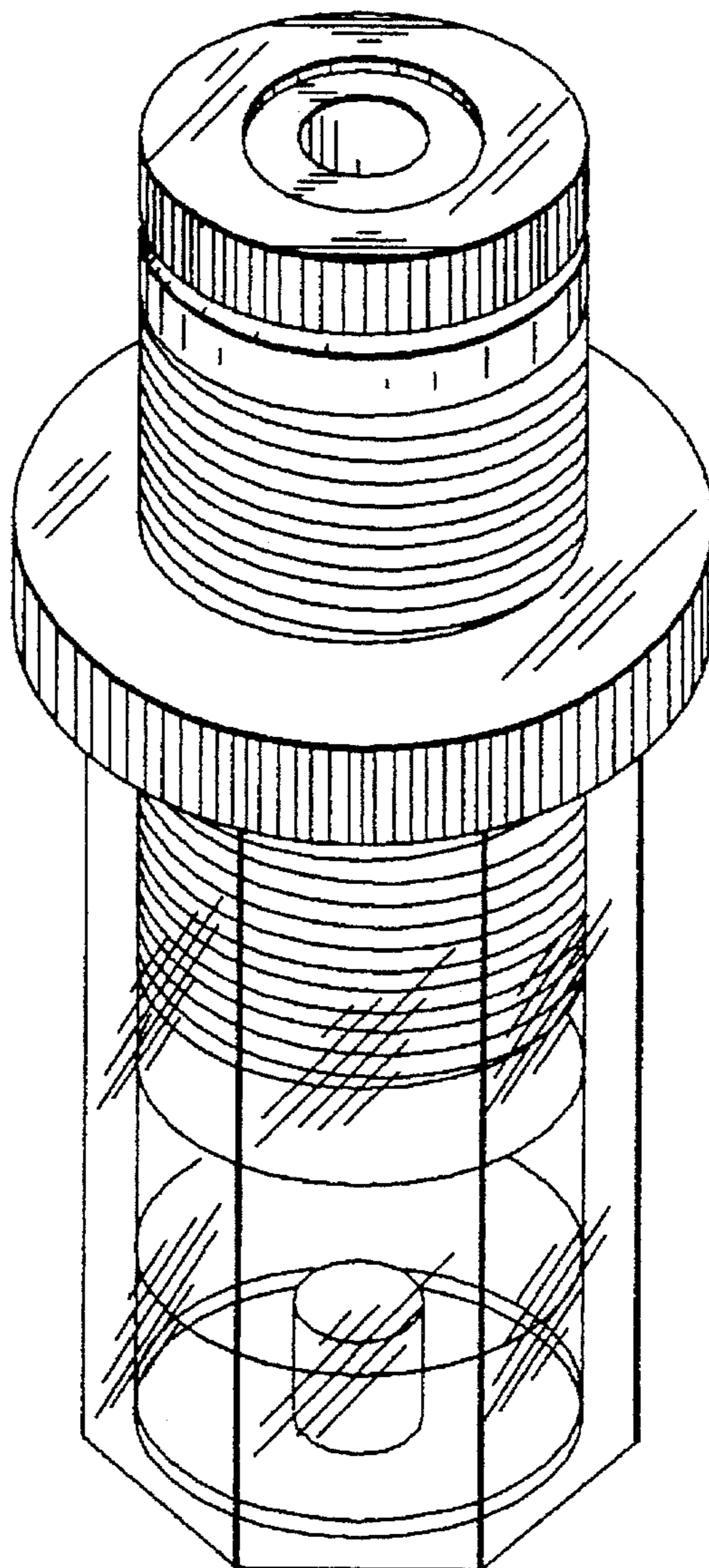


FIG. 1

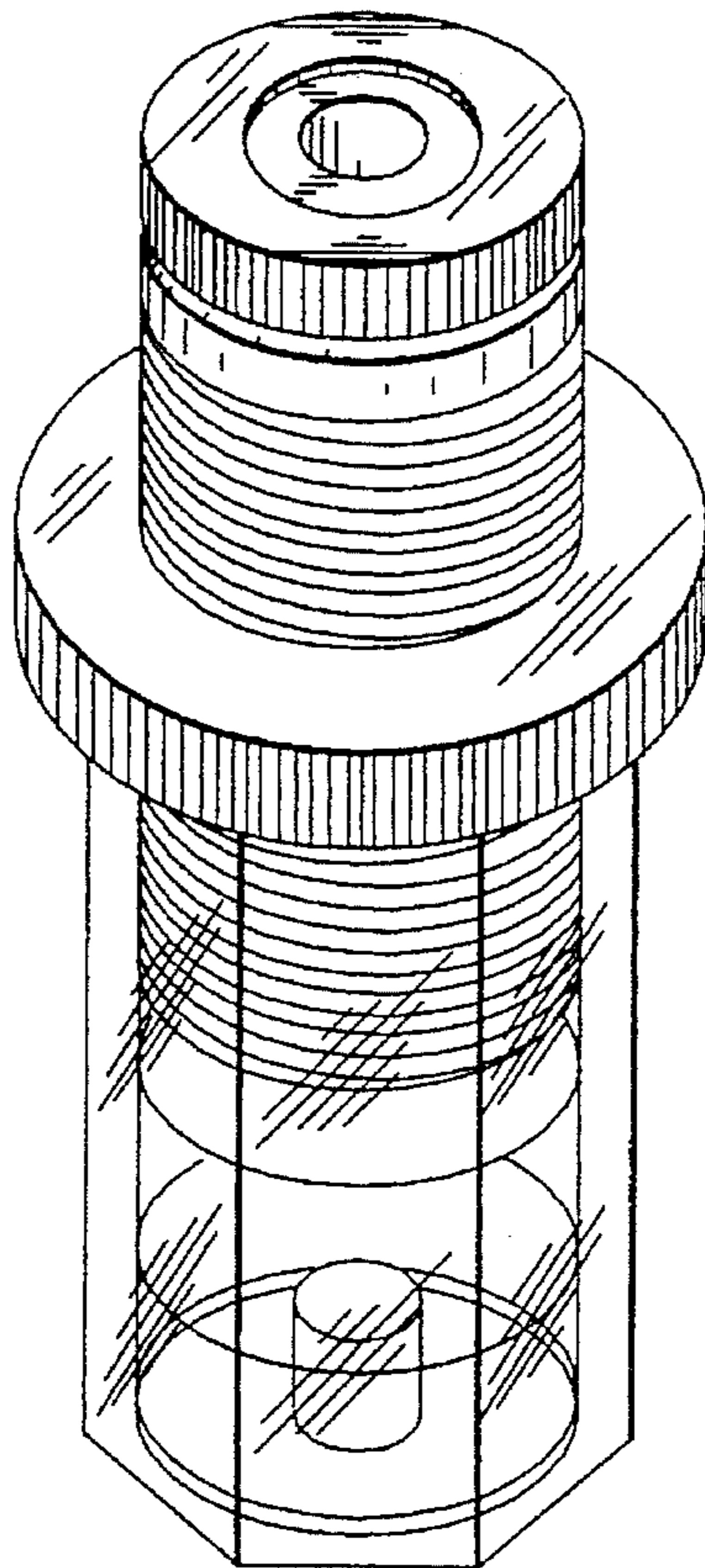


FIG. 2

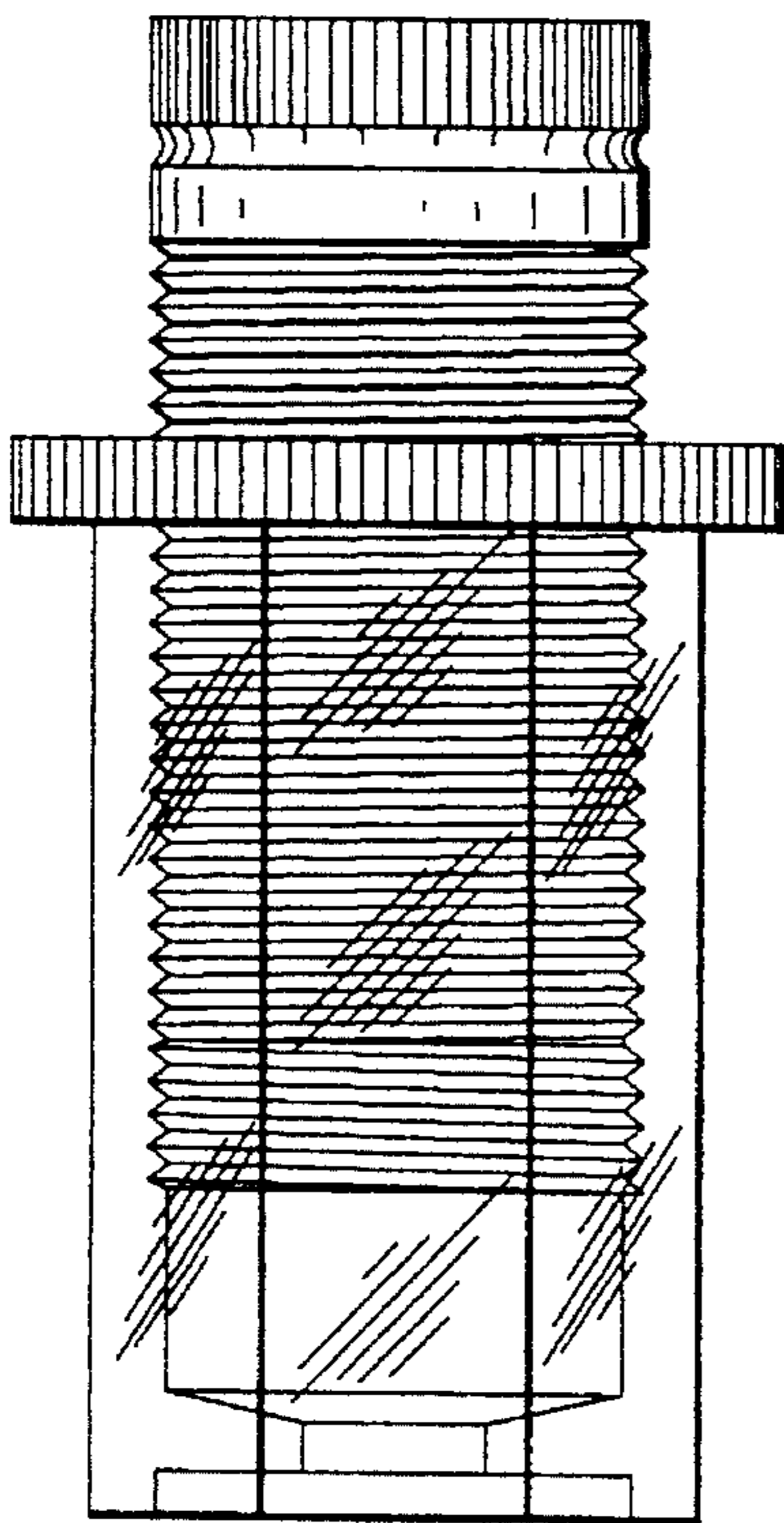


FIG. 3

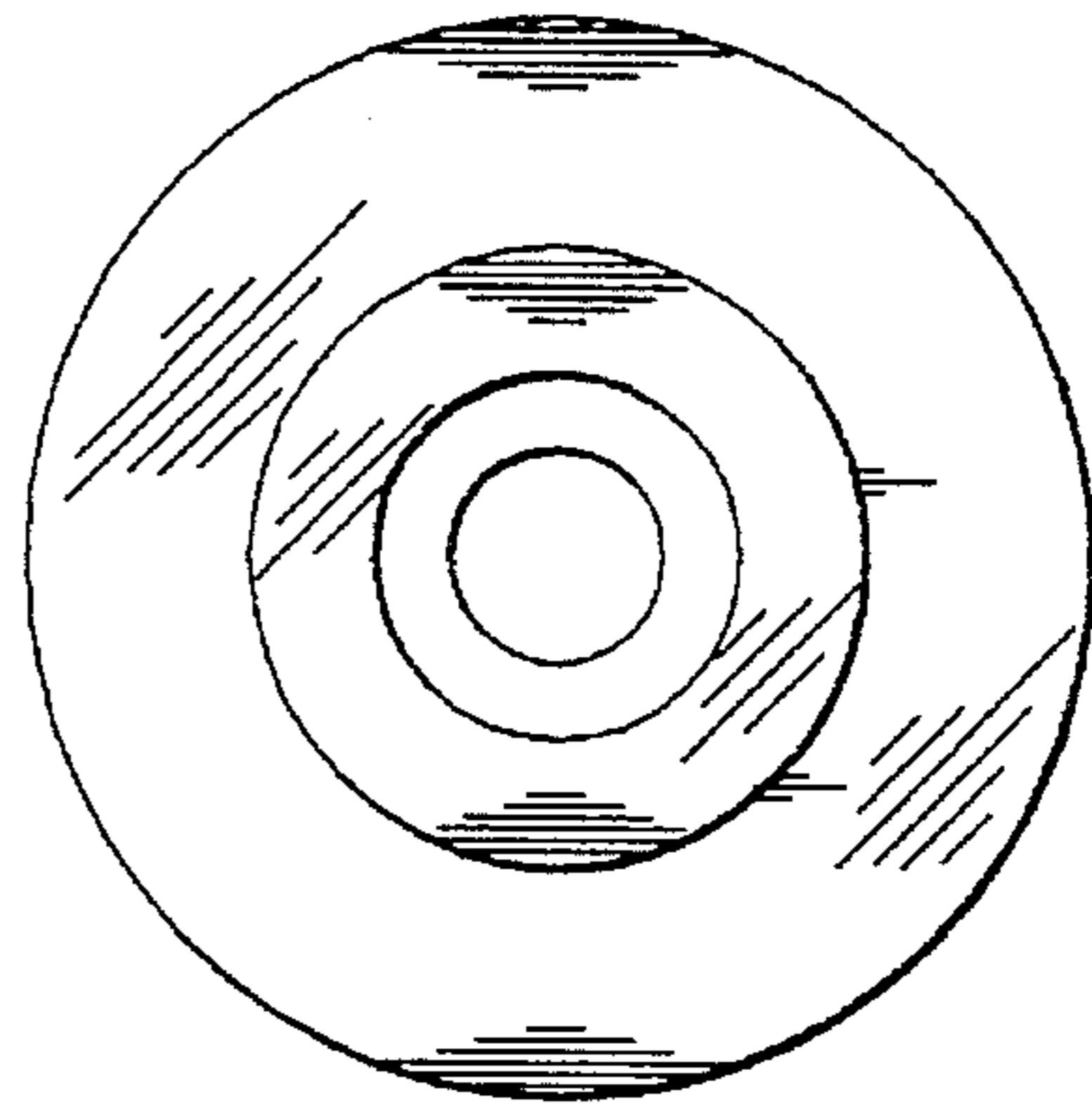


FIG. 4

