



US00D363299S

United States Patent [19] Nomura

[11] Patent Number: **Des. 363,299**
[45] Date of Patent: ***** Oct. 17, 1995**

[54] VIDEO CAMERA

[75] Inventor: **Atsushi Nomura**, Sakado, Japan

[73] Assignee: **Nippon Control Industrial Co., Ltd.**,
Saitama, Japan

[*] Notice: The portion of the term of this patent subsequent to Jul. 25, 2009 has been disclaimed.

[**] Term: **14 Years**

[21] Appl. No.: **29,450**

[22] Filed: **Oct. 6, 1994**

[30] Foreign Application Priority Data

Aug. 31, 1994 [JP] Japan 6-26293

[52] U.S. Cl. **D16/202**

[58] Field of Search D16/200-205;
D14/107, 113, 114, 130; 354/288, 293;
352/34, 242, 243; 348/143, 373-376; 379/53,
54

[56] References Cited

U.S. PATENT DOCUMENTS

D. 214,703 7/1969 Kiven D16/203
D. 269,513 6/1983 Nagele D16/202
D. 303,674 9/1989 Shimizu et al. D16/203

D. 308,362 6/1990 Sottsass D14/113
D. 339,149 9/1993 Nakamura et al. D16/202
D. 349,907 8/1994 Allmendinger D16/202
4,893,326 1/1990 Duran et al. 379/53

OTHER PUBLICATIONS

Video Magazine, Nov. 1992 p. 28.

Primary Examiner—Prabhakar G. Deshmukh

Assistant Examiner—Adir Aronovich

Attorney, Agent, or Firm—Wenderoth, Lind & Ponack

[57] CLAIM

The ornamental design for a video camera, as shown and described.

DESCRIPTION

FIG. 1 is a top, front and right side perspective view of a video camera showing my new design, with the lid in a closed position;

FIG. 2 is a front elevational view thereof;

FIG. 3 is a rear elevational view thereof;

FIG. 4 is a right side elevational view thereof;

FIG. 5 is a left side elevational view thereof;

FIG. 6 is a top plan view thereof;

FIG. 7 is a bottom plan view thereof; and,

FIG. 8 is a top, front and right side perspective view thereof, with the lid in an open position.

1 Claim, 4 Drawing Sheets

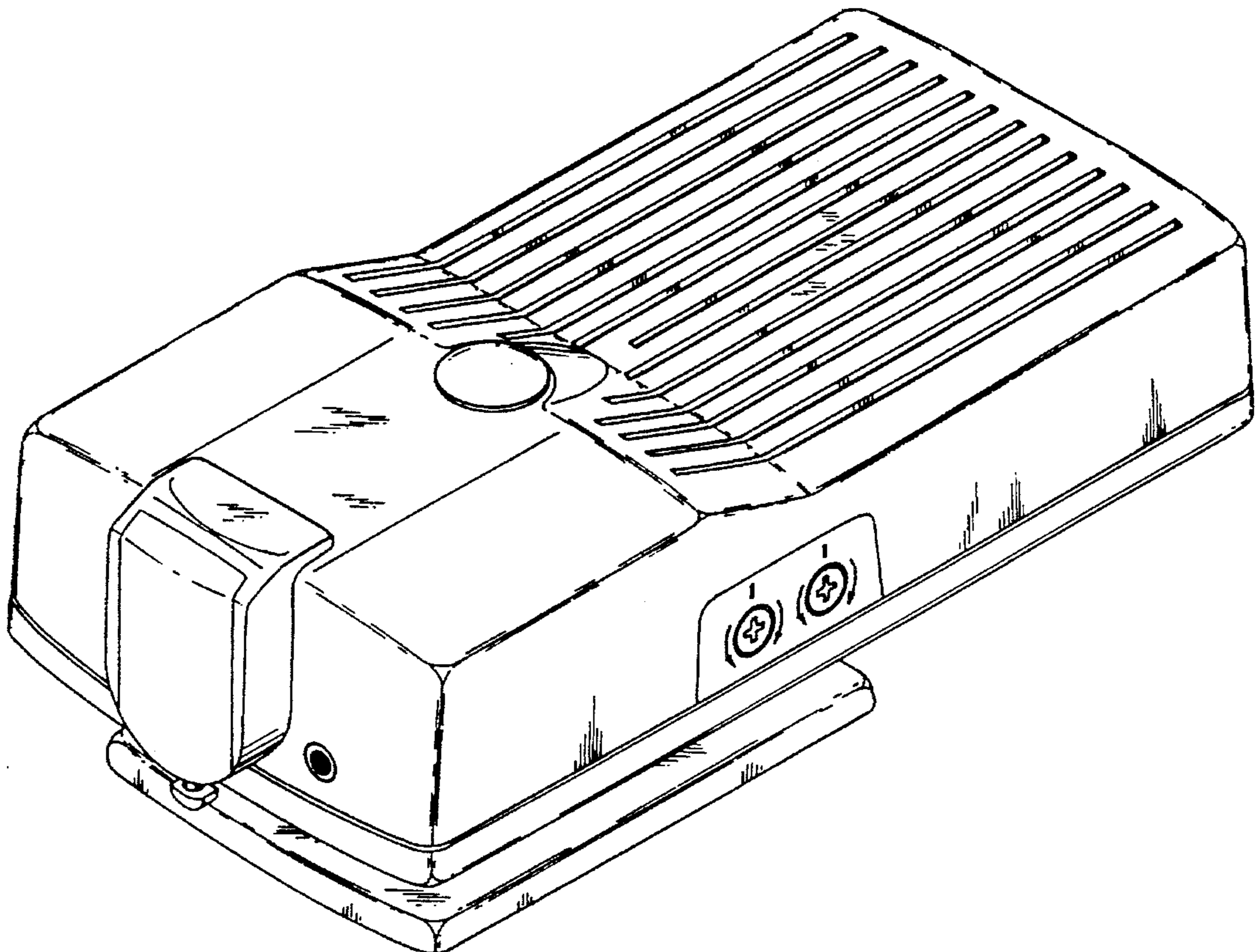


FIG. 1

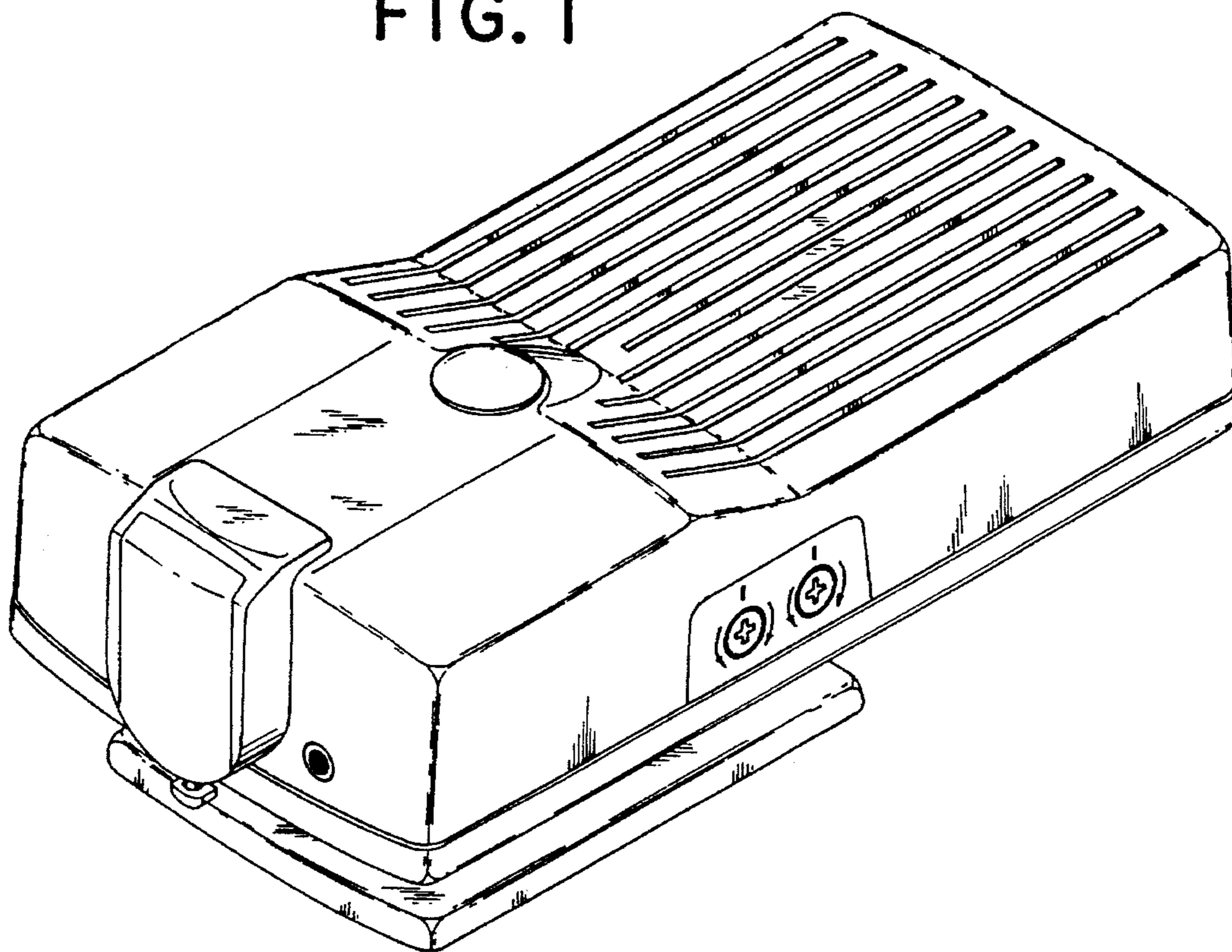


FIG. 2

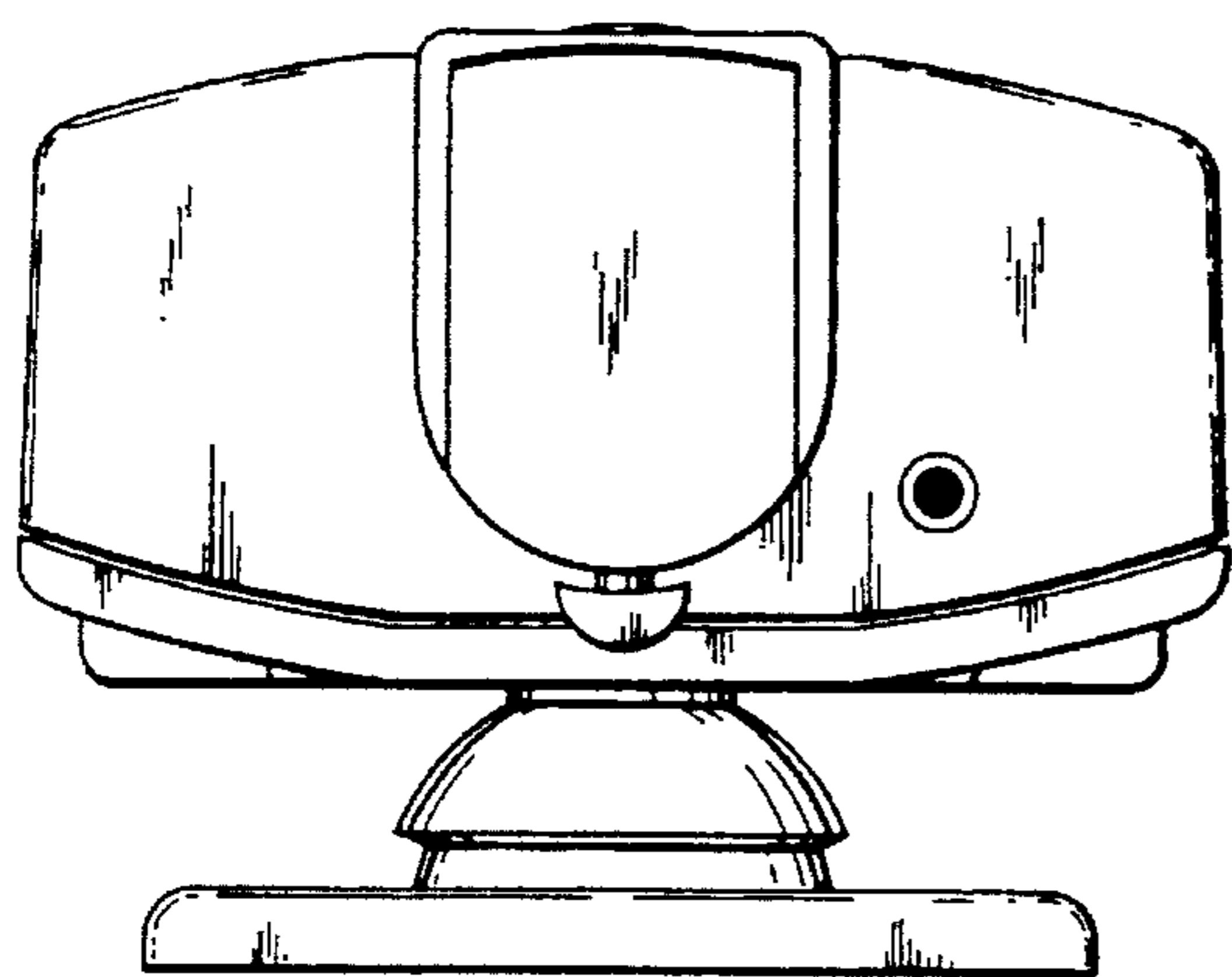


FIG. 3

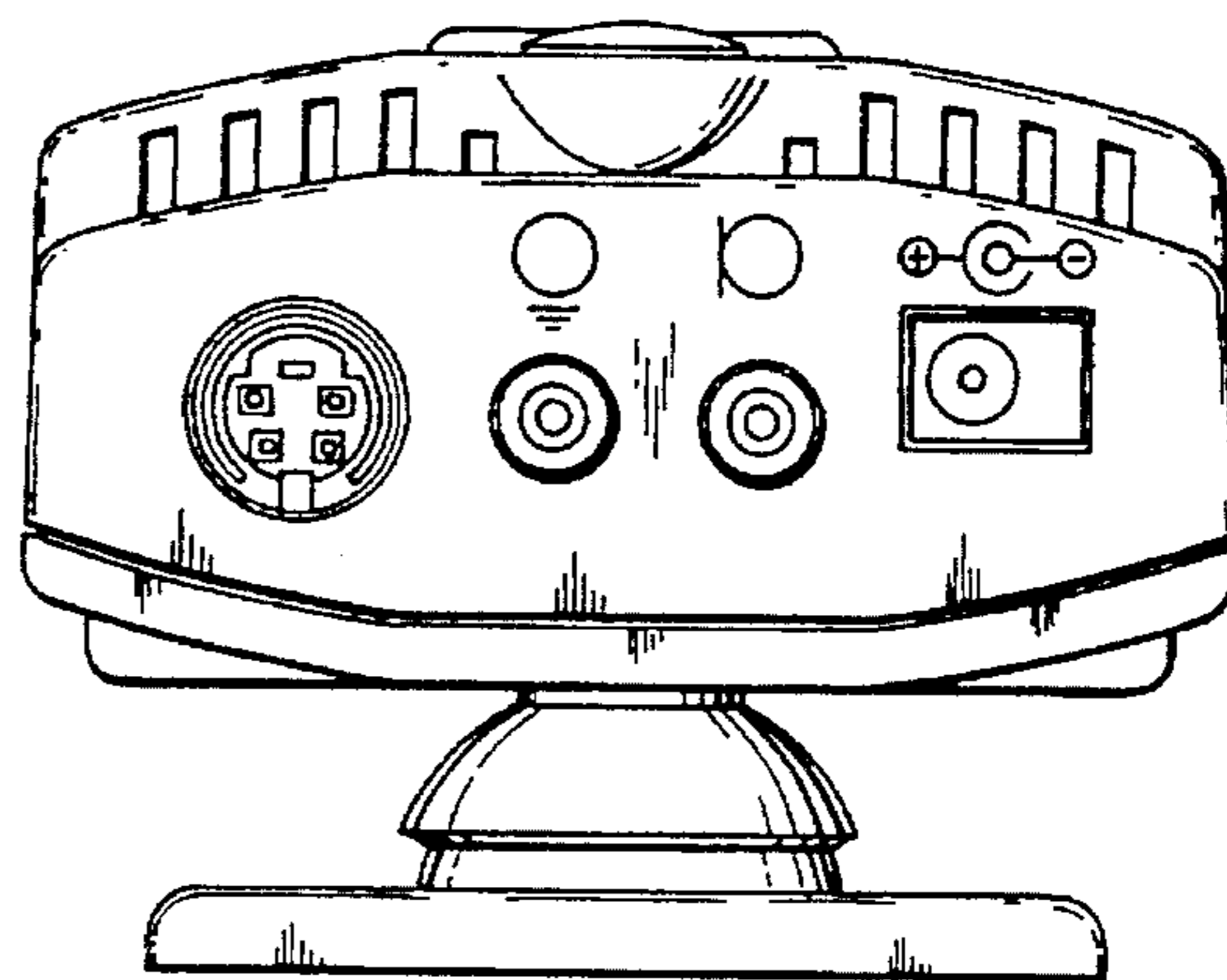


FIG. 4

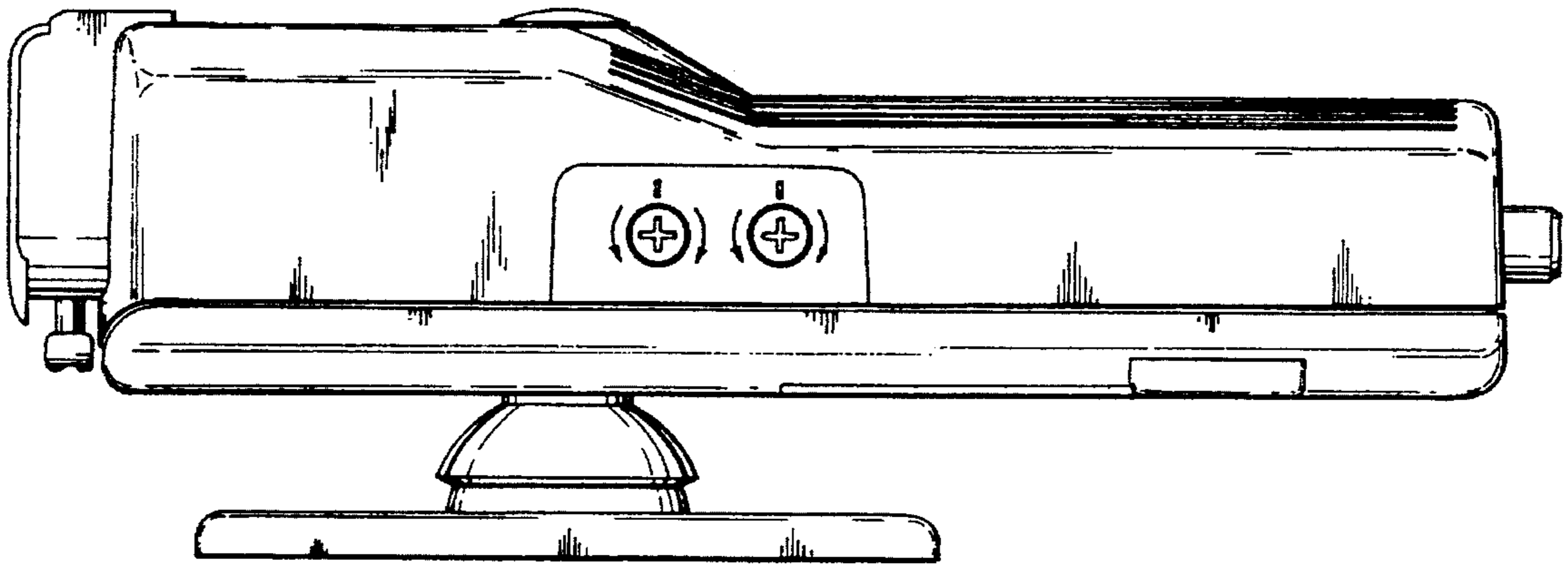


FIG. 5

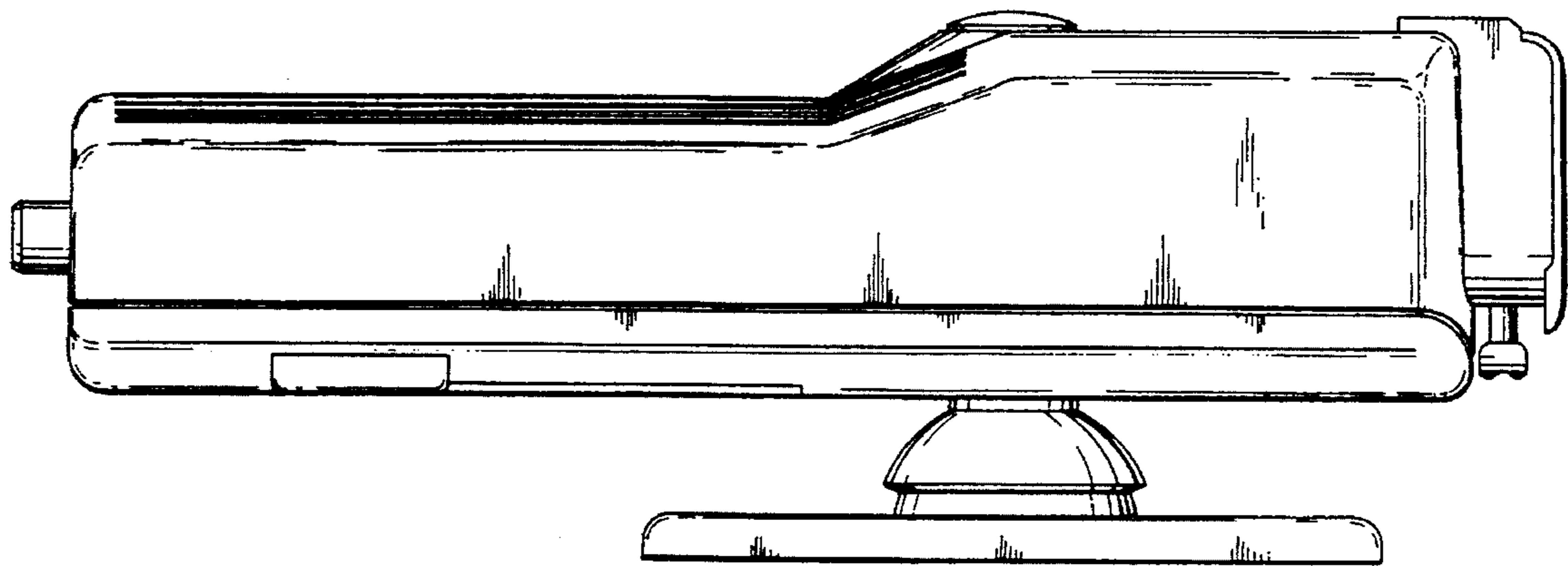


FIG. 6

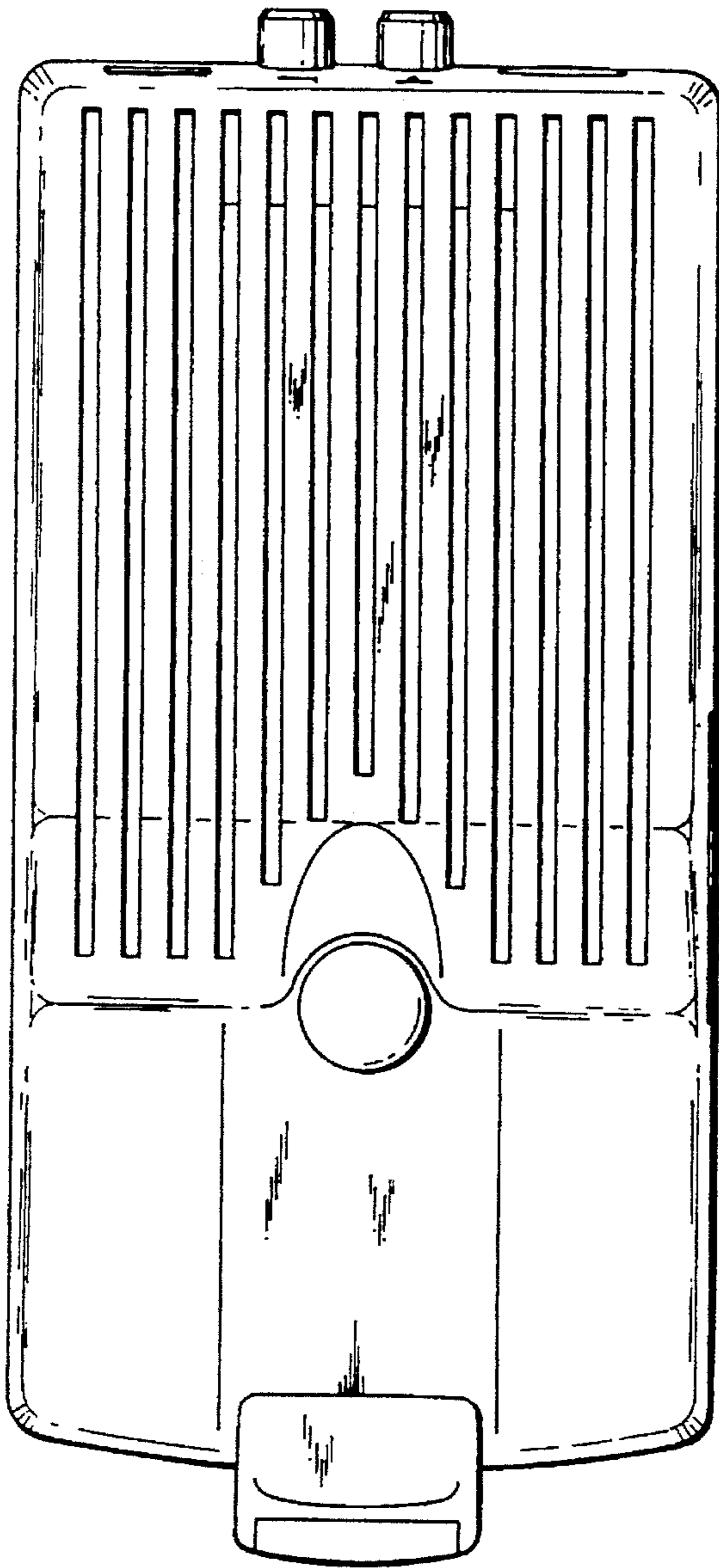


FIG. 7

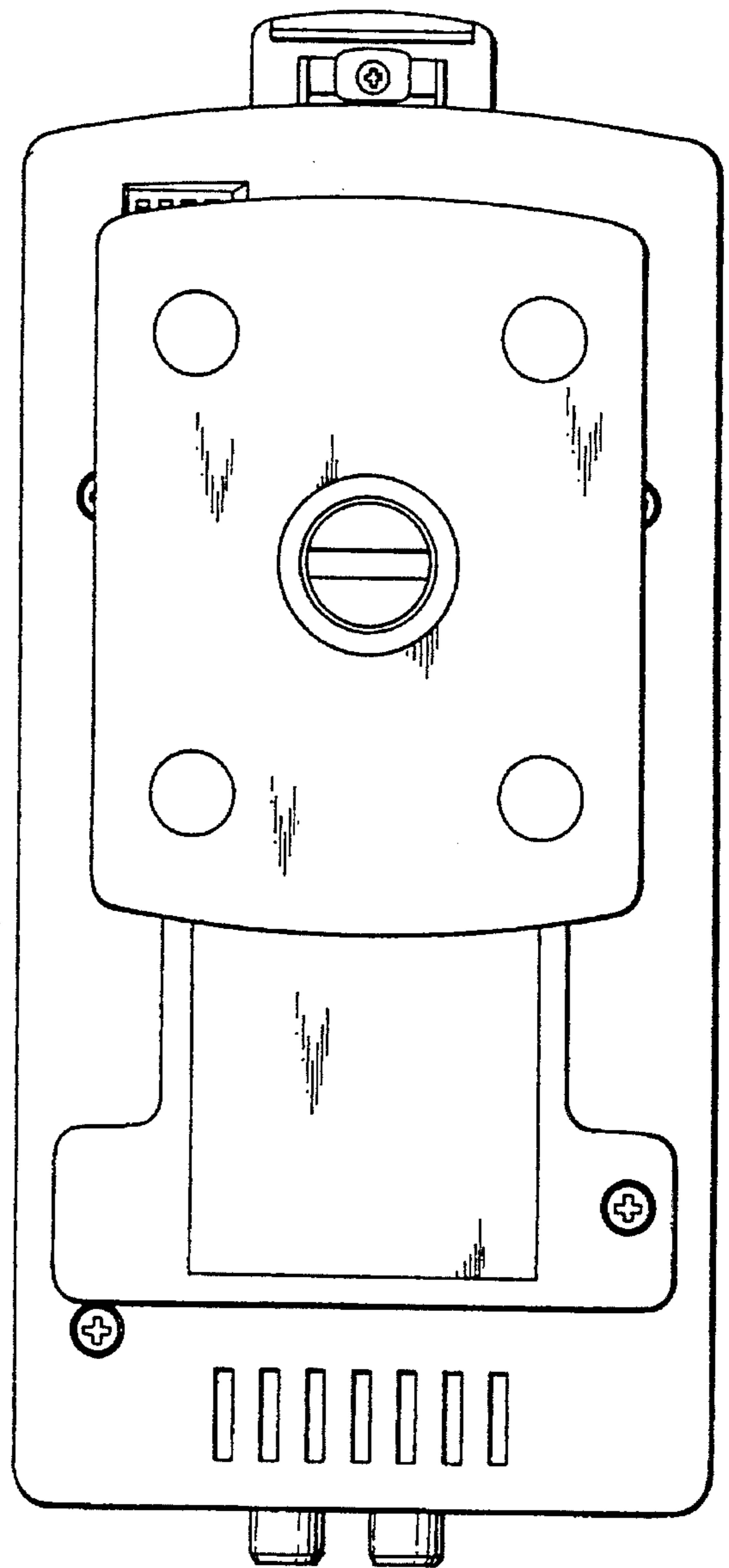


FIG. 8

