



US00D363297S

**United States Patent** [19]  
**Yoshikawa**

[11] **Patent Number:** **Des. 363,297**  
[45] **Date of Patent:** **\*\*Oct. 17, 1995**

[54] **BEARING FOR LINIAR MOVEMENT**

FOREIGN PATENT DOCUMENTS

[76] Inventor: **Kan Yoshikawa**, 2-6-5, Asahicho,  
Nerima-ku, Tokyo, Japan

731642 5/1988 Japan .

[\*\*] Term: **14 Years**

*Primary Examiner*—Antoine Duval Davis

[21] Appl. No.: **27,128**

[57] **CLAIM**

[22] Filed: **Aug. 9, 1994**

The ornamental design for a bearing for liniar movement, as shown and described.

[30] **Foreign Application Priority Data**

**DESCRIPTION**

Mar. 16, 1994 [JP] Japan ..... 6-6816

[52] **U.S. Cl.** ..... **D15/143; D15/199**

[58] **Field of Search** ..... D15/143, 199;  
29/898.03; 384/18, 25, 39, 40, 41, 42, 43,  
45, 49

FIG. 1 is a perspective view of a bearing for liniar movement embodying my new design;

FIG. 2 is a front elevational view thereof, the rear elevational view being a mirror image;

FIG. 3 is a top plan view thereof;

FIG. 4 is a bottom plan view thereof;

FIG. 5 is a right side elevational view thereof, the left side elevational view being identical; and,

FIG. 6 is a partly-cut perspective view thereof.

[56] **References Cited**

**U.S. PATENT DOCUMENTS**

D. 344,964 3/1994 Yamazaki ..... D15/143  
3,938,854 2/1976 Teramachi ..... 384/45  
4,502,737 3/1985 Osawa ..... 384/45

**1 Claim, 2 Drawing Sheets**

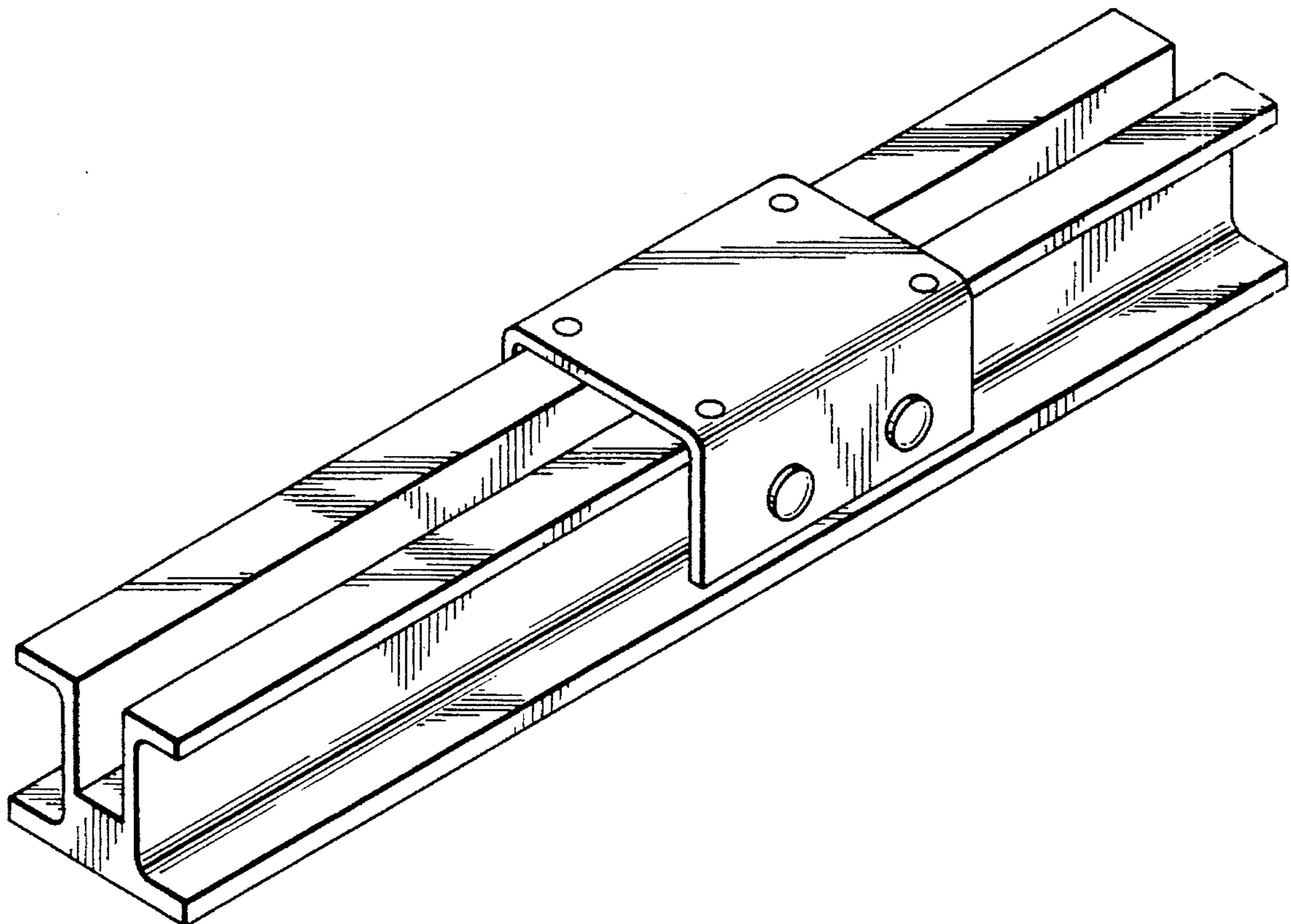


FIG. 1

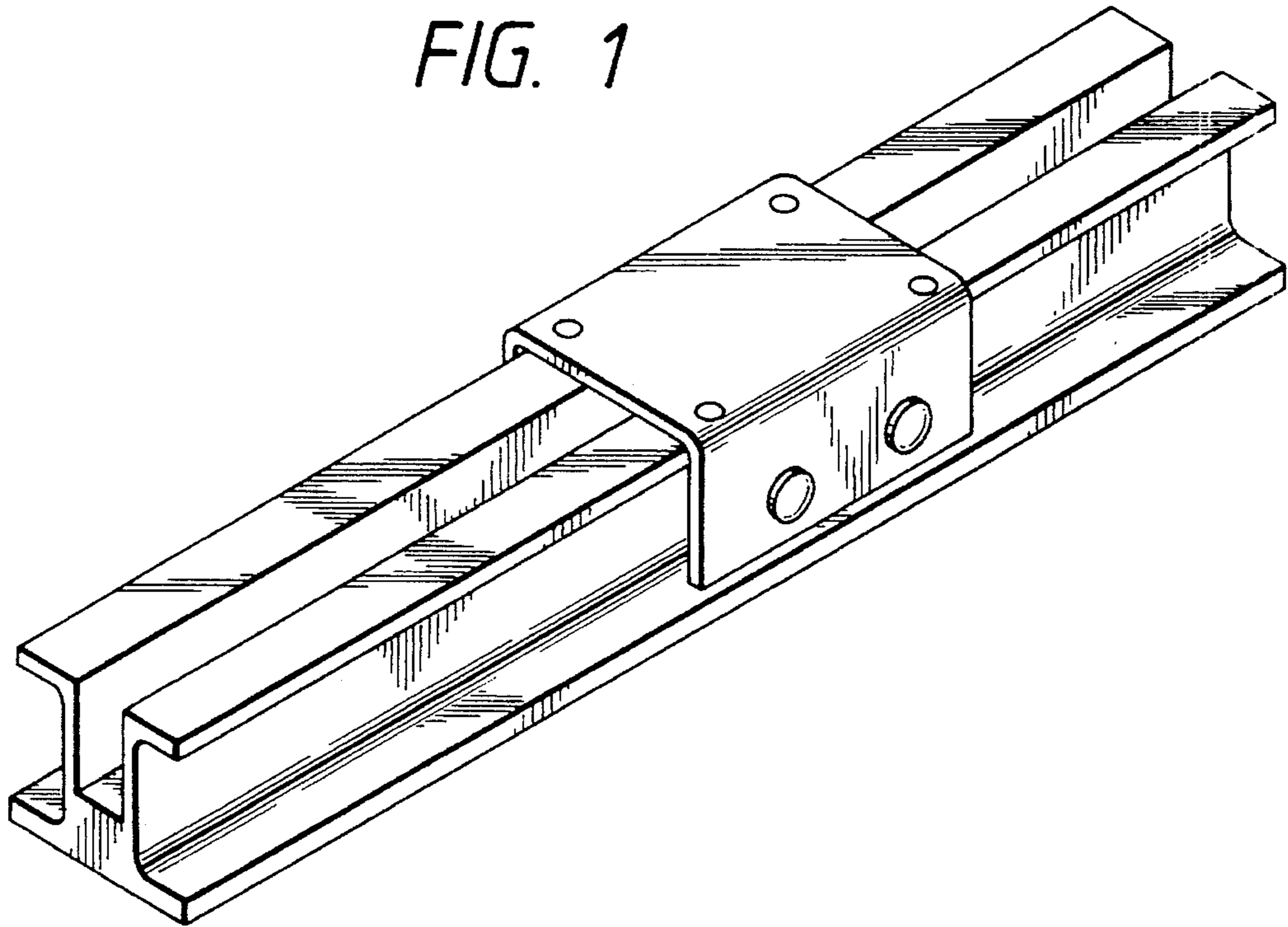


FIG. 2

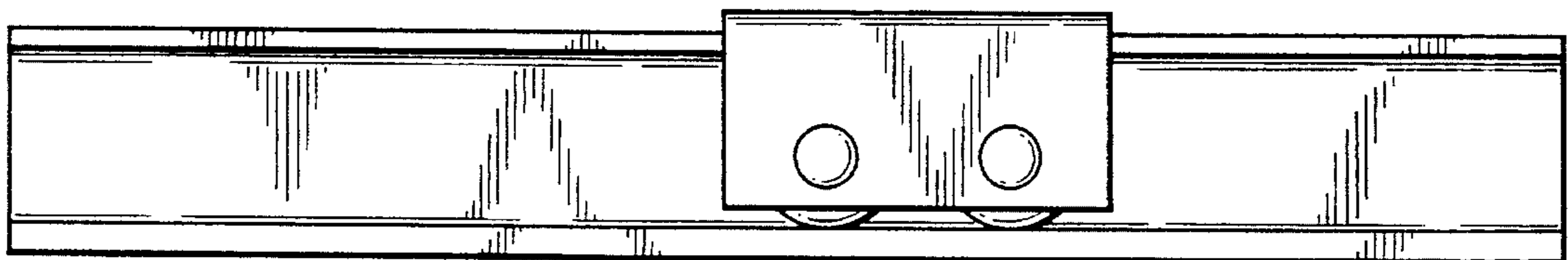


FIG. 3

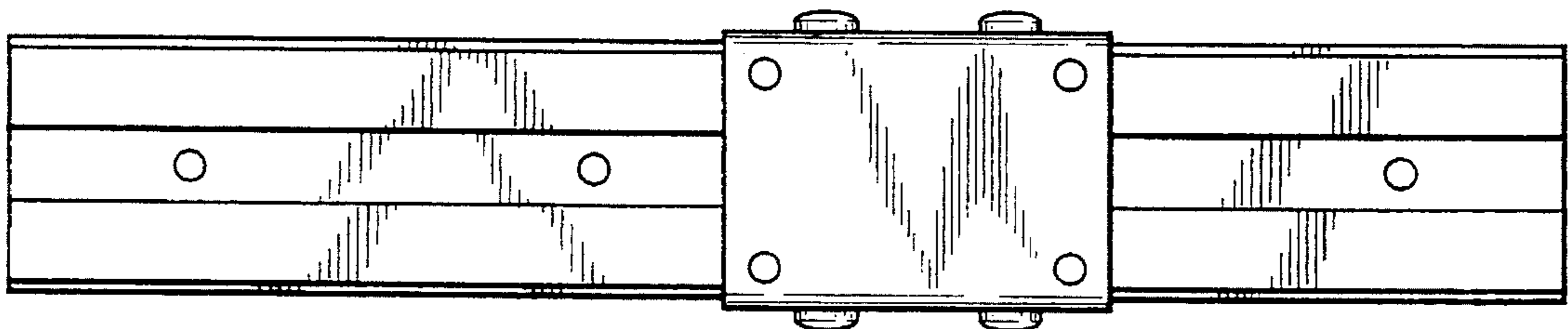


FIG. 4

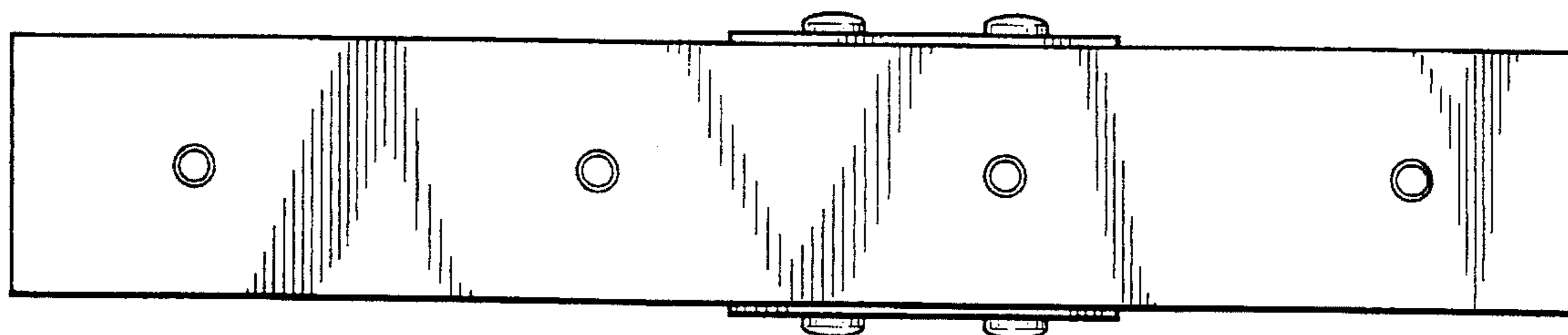


FIG. 5

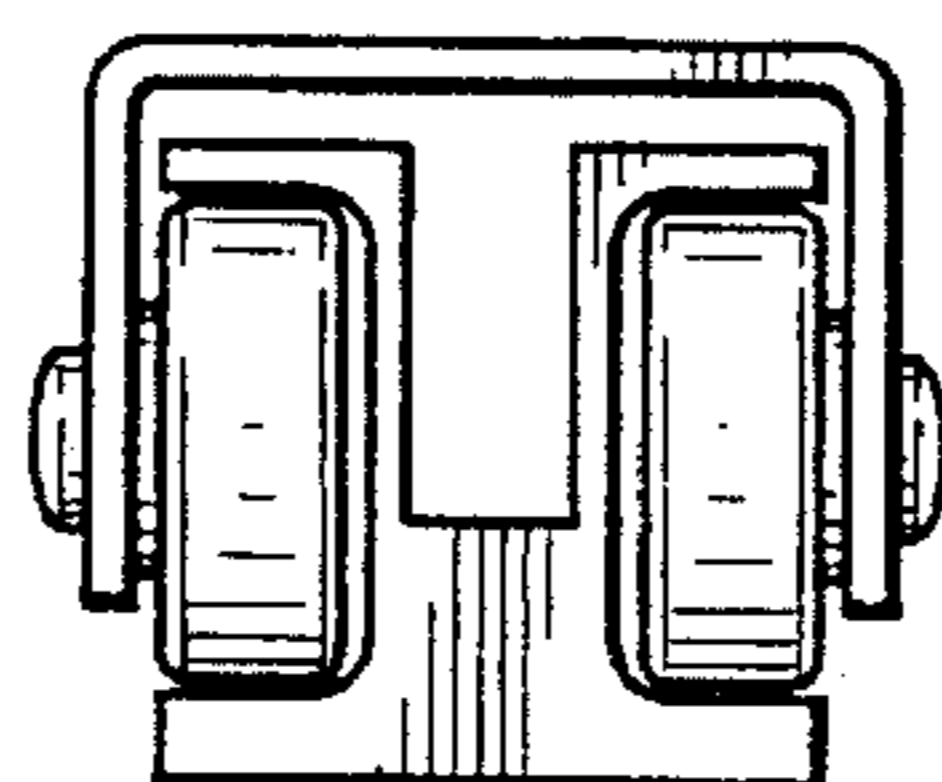


FIG. 6

