



US00D363296S

United States Patent [19]

[11] Patent Number: **Des. 363,296**

Madill

[45] Date of Patent: ****Oct. 17, 1995**

[54] **GRINDER TOOL REST**

[75] Inventor: **John L. Madill**, Peterborough, Canada

[73] Assignee: **Lee Valley Tools Ltd.**, Ottawa, Canada

[**] Term: **14 Years**

[21] Appl. No.: **27,267**

[22] Filed: **Aug. 17, 1994**

[52] U.S. Cl. **D15/140; D15/141**

[58] Field of Search **D15/140, 141; 451/6, 21, 294, 406, 407, 408, 409, 410, 451**

[56] **References Cited**

U.S. PATENT DOCUMENTS

361,757	4/1887	Gendon .	
981,810	1/1911	Sterling .	
1,087,527	2/1914	Button .	
1,277,140	8/1918	Seymour .	
2,107,921	2/1938	Weed .	
2,415,121	2/1947	Wilken et al. .	
3,680,268	8/1972	Lorton .	
4,202,138	5/1980	Smith	451/410 X
4,404,773	9/1983	Gauger .	
4,502,457	3/1985	Marron .	
4,769,955	9/1988	Reiling et al. .	
4,841,678	6/1989	Thomas .	

OTHER PUBLICATIONS

Barnes, R. C., "Tool Rest for Your Bench Grinder", article from *Shop Notes, Popular Mechanics* (1955). P. 69, from *Canadian Workshop* (Nov. 1992), ad for "Sabre

Sharpening Centre", Vendor: Woodturner's World.

Picture of grinder tool rest, which was made in Taiwan for Delta and manufactured prior to the filing date of Aug. 17, 1994 for this application, Ser. No. 29/027,267.

Primary Examiner—Antoine Duval Davis
Attorney, Agent, or Firm—Kilpatrick & Cody; John S. Pratt

[57] **CLAIM**

The ornamental design for a grinder tool rest, as shown and described.

DESCRIPTION

FIG. 1 is a perspective view showing a top, front and right side of the grinder tool rest of the present invention together with a grinding wheel shown in broken lines;

FIG. 2 is a top plan view of the grinder tool rest show in FIG. 1;

FIG. 3 is a bottom plan view of the grinder tool rest shown in FIG. 1;

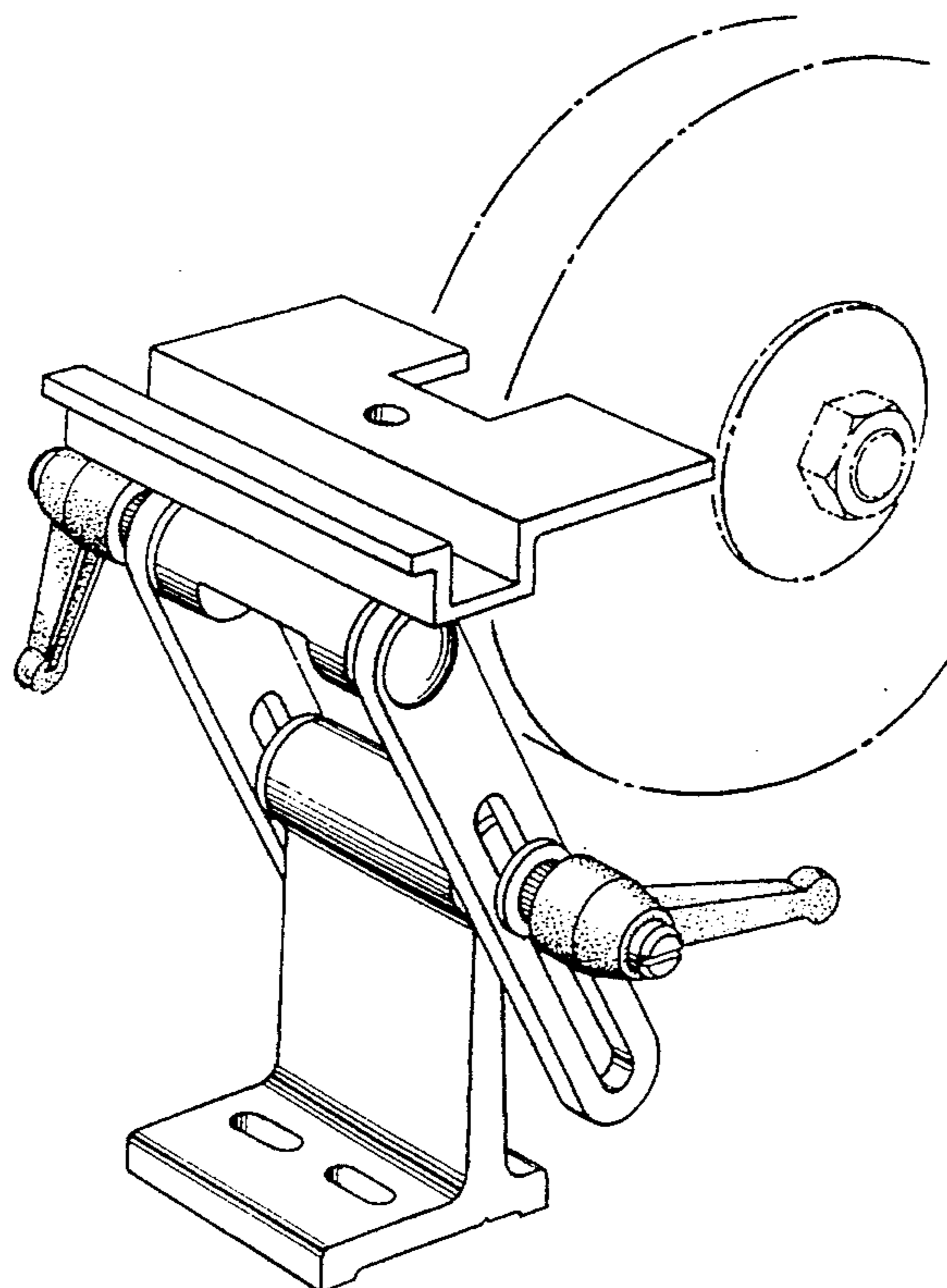
FIG. 4 is a left side elevational view of the grinder tool rest shown in FIG. 1;

FIG. 5 is a front side elevational view of the grinder tool rest shown in FIG. 1;

FIG. 6 is a right side elevational view of the grinder tool rest shown in FIG. 1; and,

FIG. 7 is a rear elevational view of the grinder tool rest shown in FIG. 1.

1 Claim, 2 Drawing Sheets



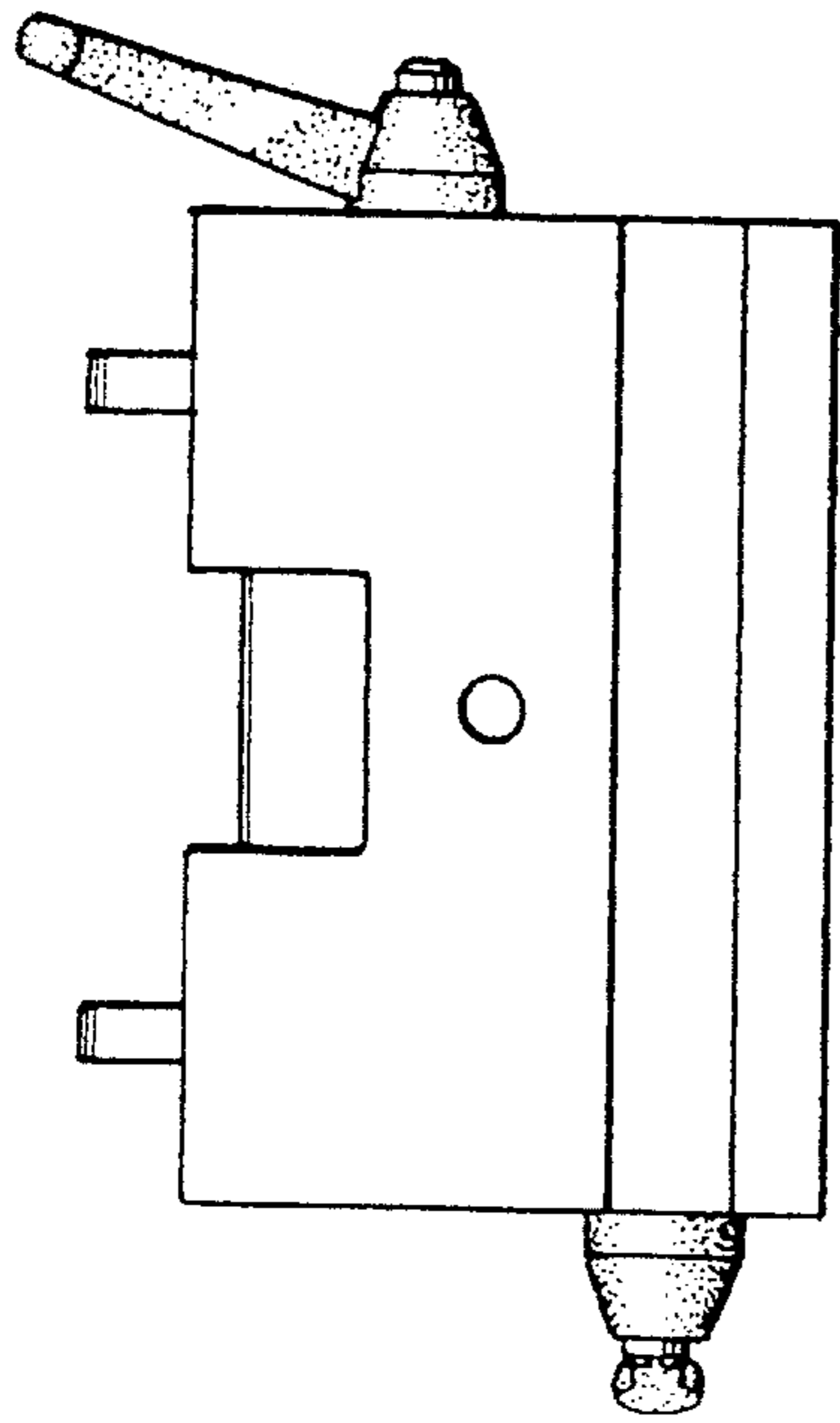


FIG 2

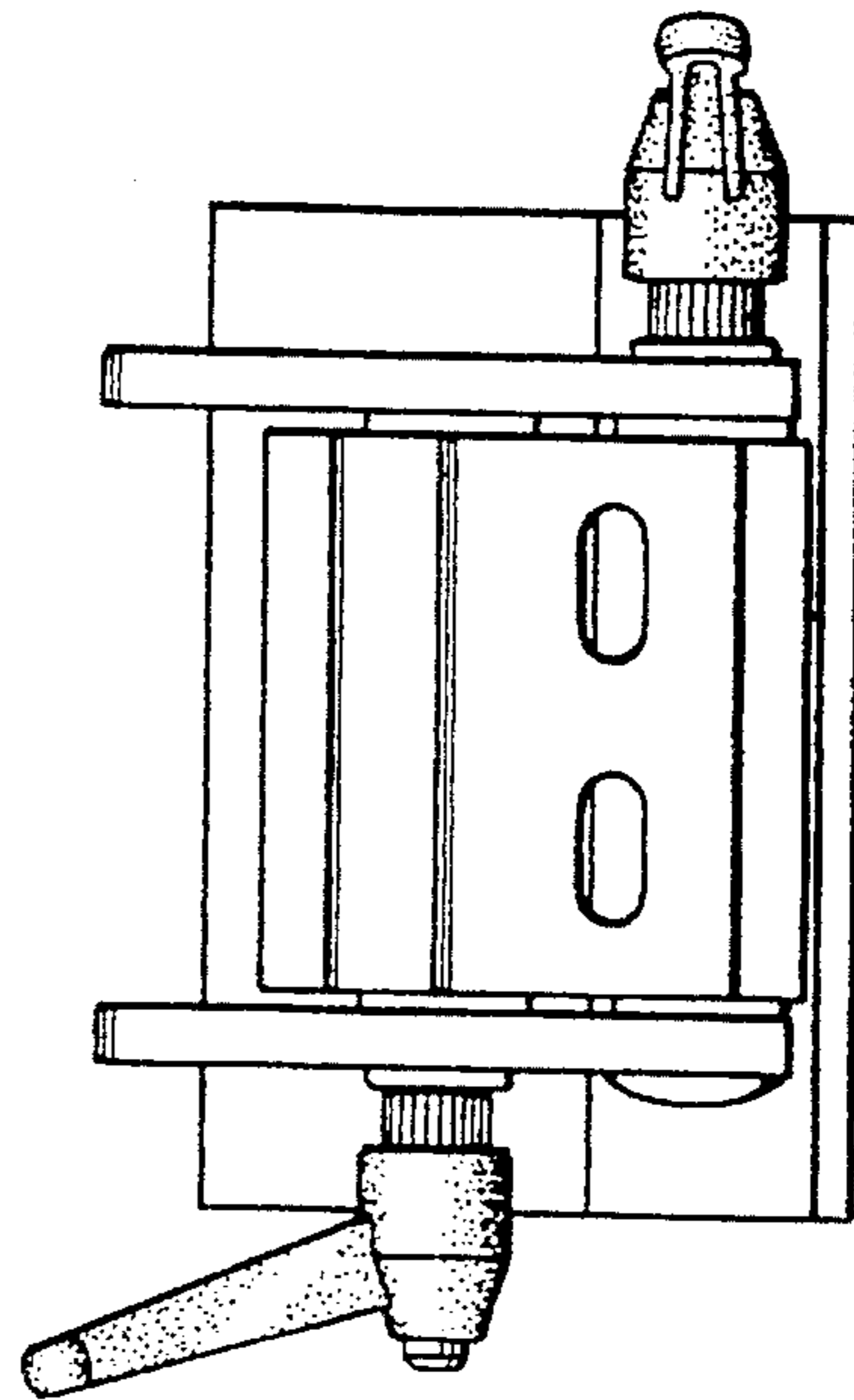


FIG 3

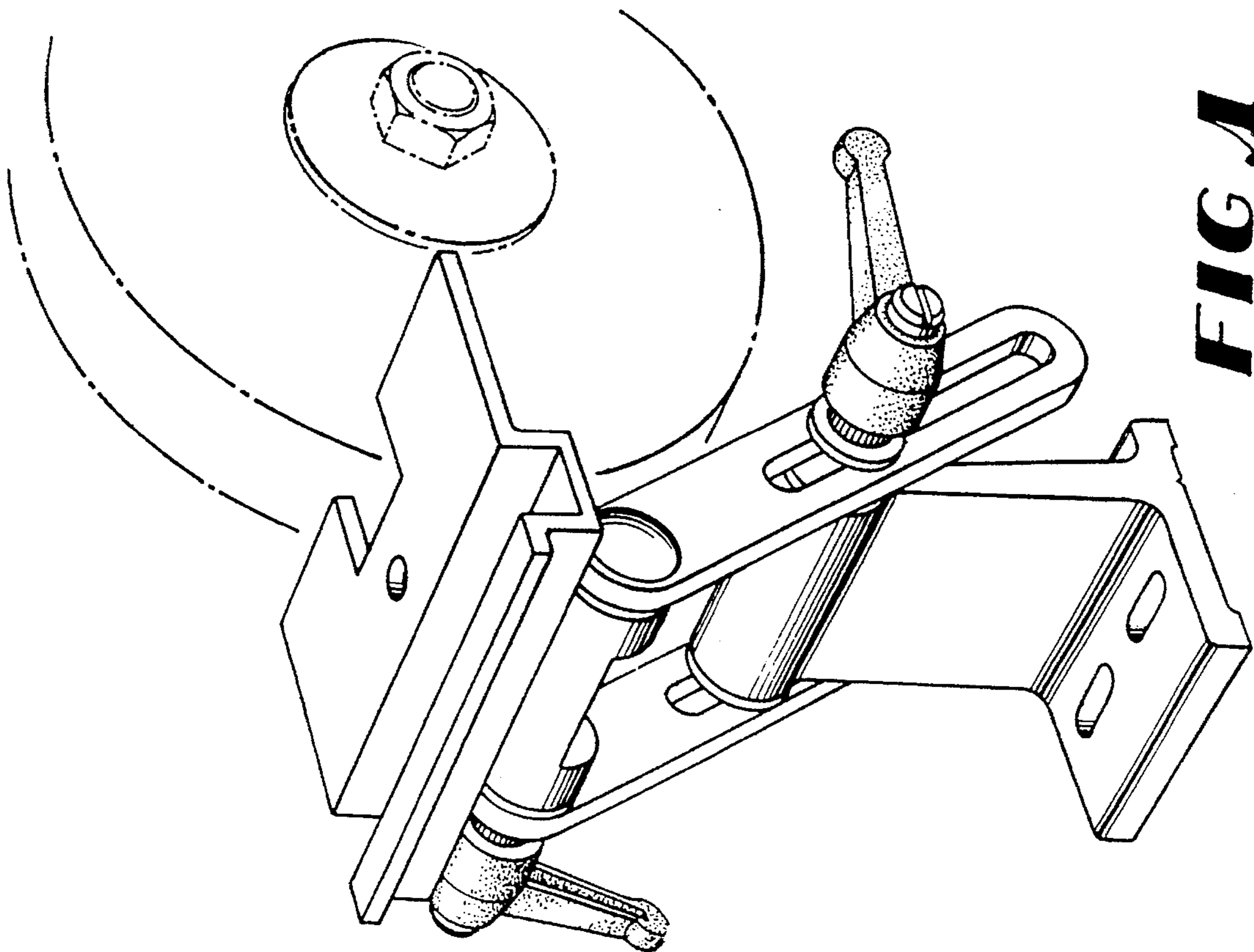


FIG A

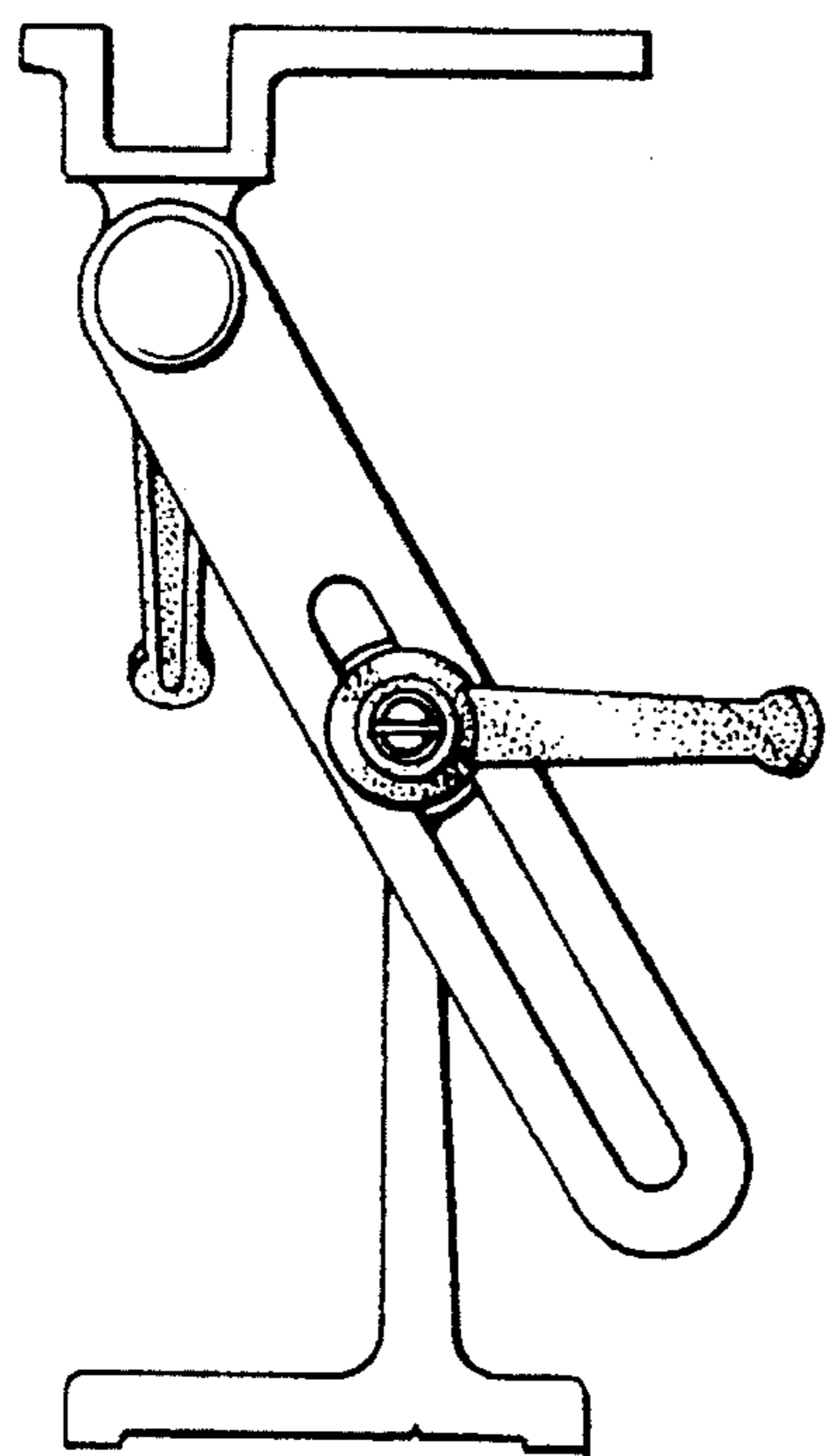


FIG 4

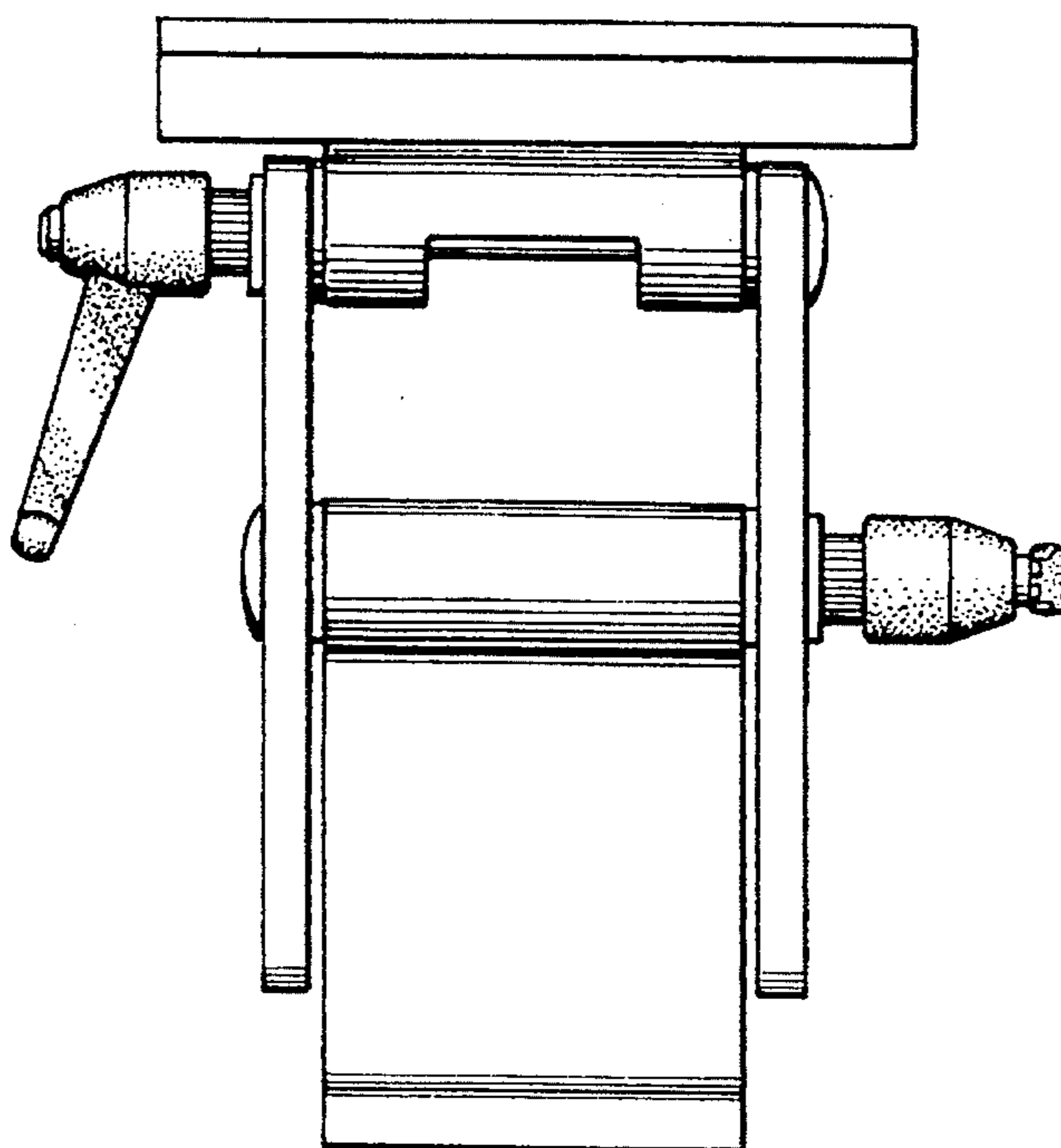


FIG 5

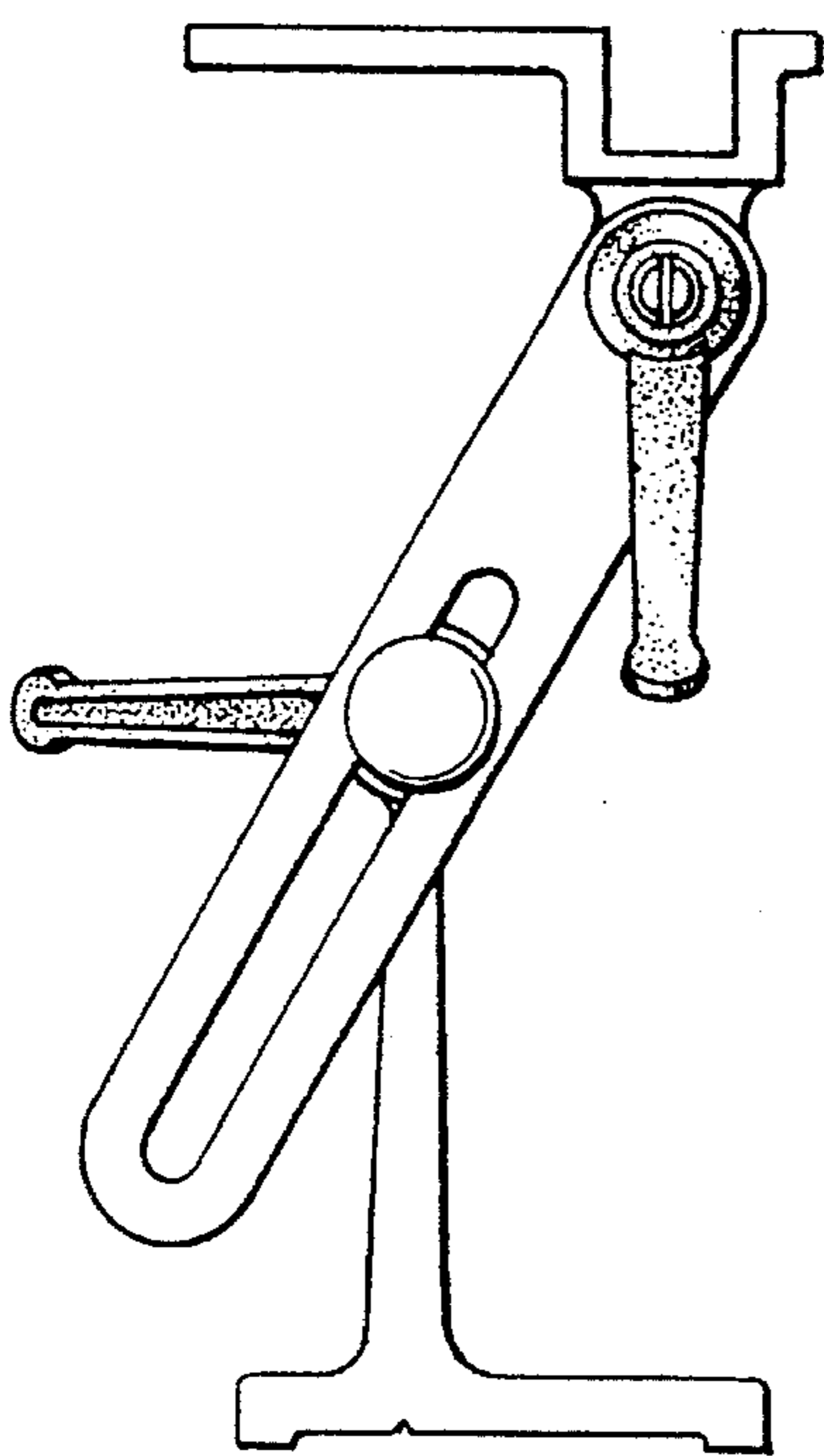


FIG 6

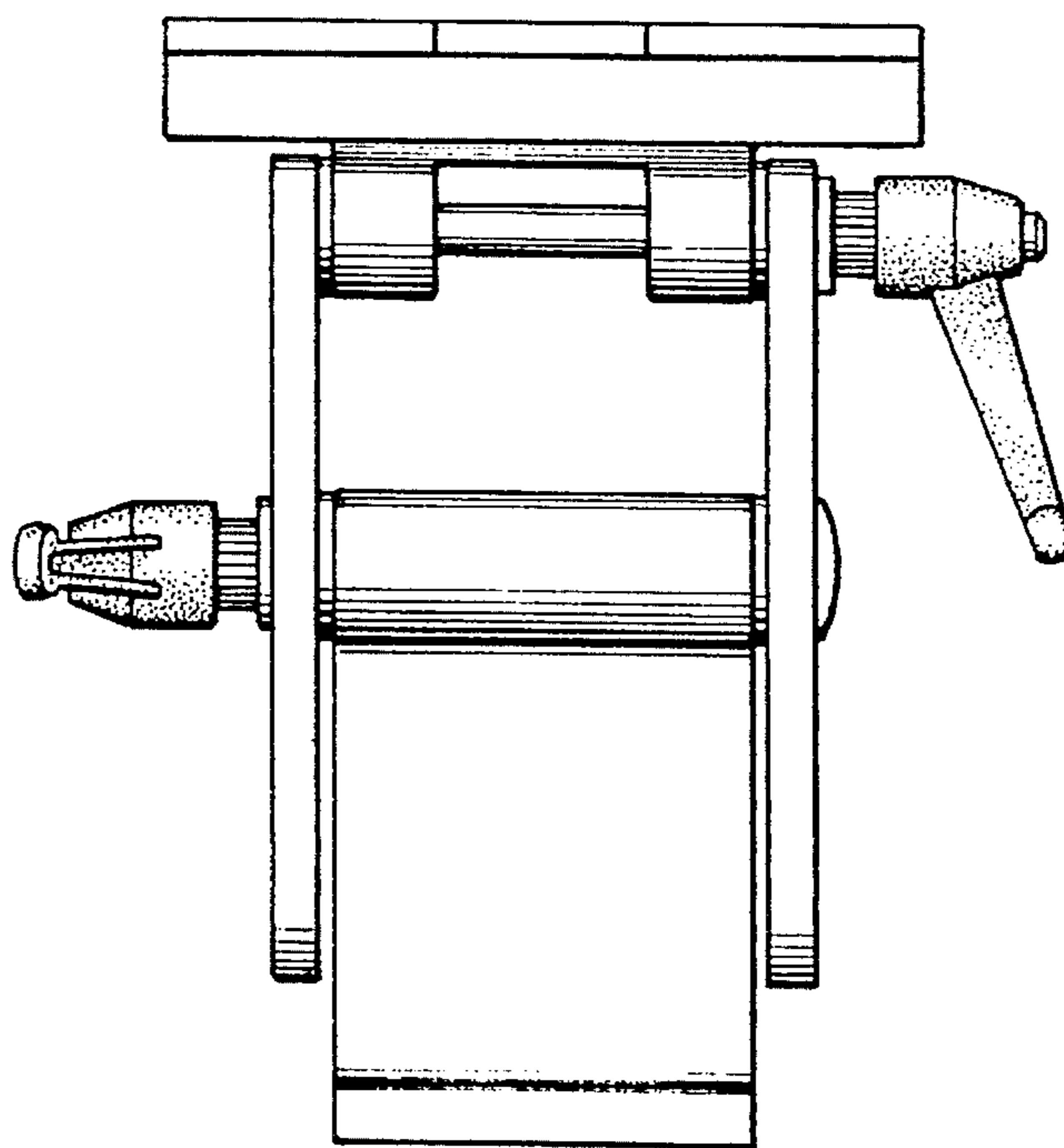


FIG 7