



US00D363294S

United States Patent [19]
Ellis

[11] **Patent Number:** **Des. 363,294**

[45] **Date of Patent:** ****Oct. 17, 1995**

[54] **CORE DRILL BIT**

[76] Inventor: **Albert D. Ellis**, 3251 Oakbrook La.,
Clarkston, Ga. 30021

[**] Term: **14 Years**

[21] Appl. No.: **29,025**

[22] Filed: **Sep. 26, 1994**

[52] U.S. Cl. **D15/139**

[58] Field of Search D15/139, 138;
175/260, 281, 393, 403; 408/60, 68, 145,
206, 703

[56] **References Cited**

U.S. PATENT DOCUMENTS

Re. 23,539	8/1952	Tilden	175/403 X
1,857,585	5/1932	Drooks, Sr.	175/403 X
3,945,069	3/1976	Cecil	D15/139 X

Primary Examiner—Antoine Duval Davis
Attorney, Agent, or Firm—Jerome Moore

[57] **CLAIM**

The ornamental design for a new core drill bit, as shown and described.

DESCRIPTION

FIG. 1 is an isometric view of a core drill bit showing my new design;

FIG. 2 is one side view thereof;

FIG. 3 is another side view thereof;

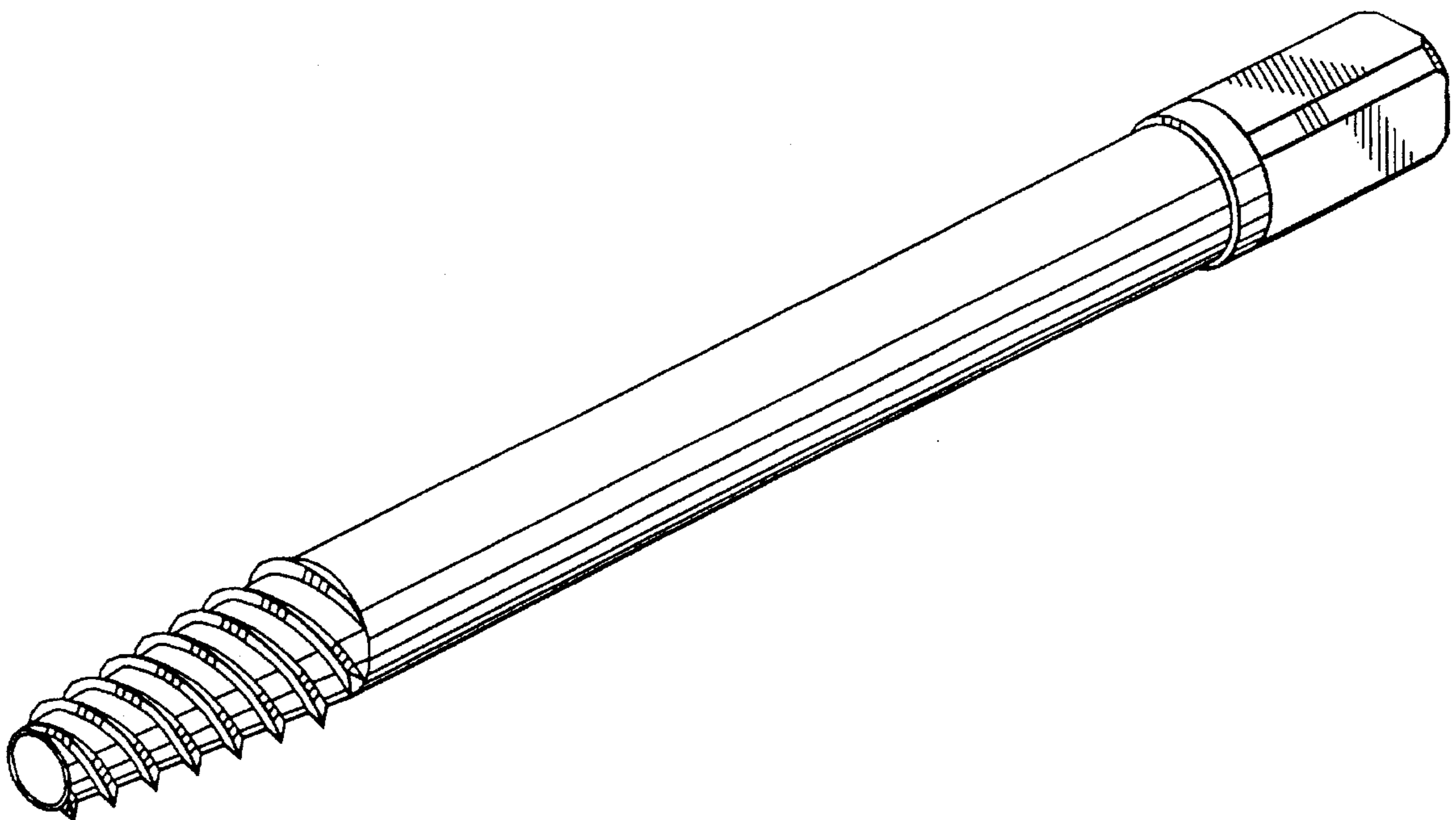
FIG. 4 is another side view thereof;

FIG. 5 is another side view thereof, all sides appearing differently;

FIG. 6 is a rear view thereof; and,

FIG. 7 is a front view thereof.

1 Claim, 1 Drawing Sheet



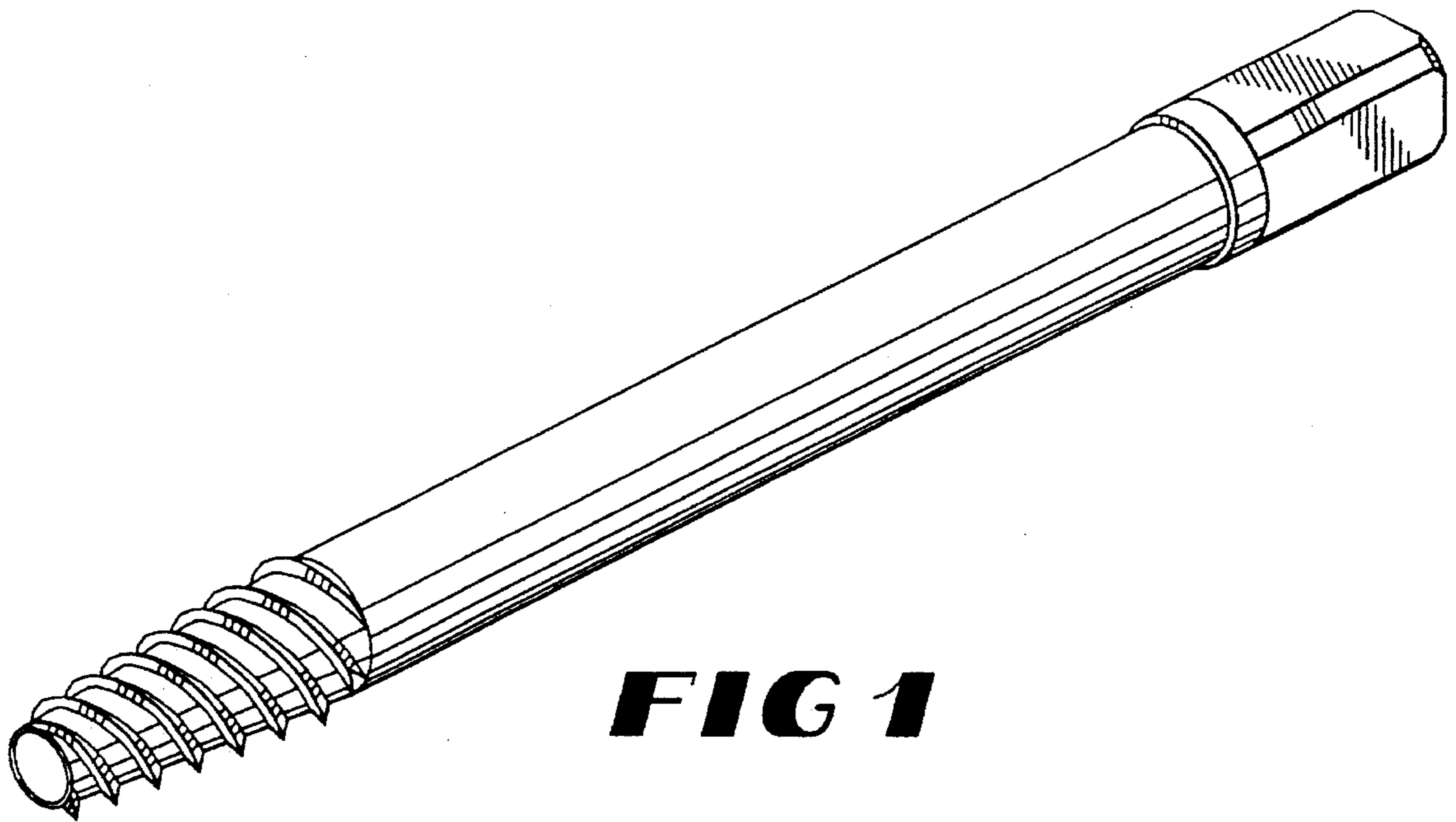


FIG 1

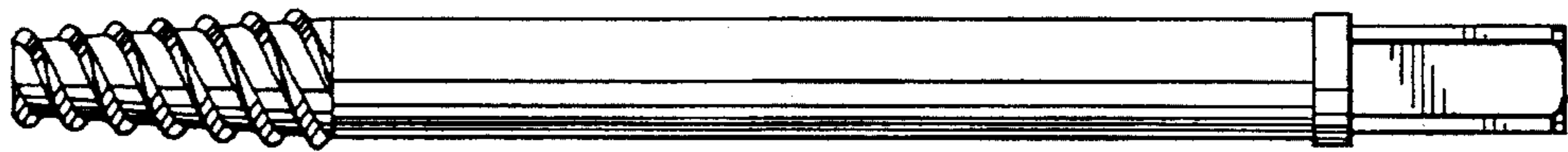


FIG 2

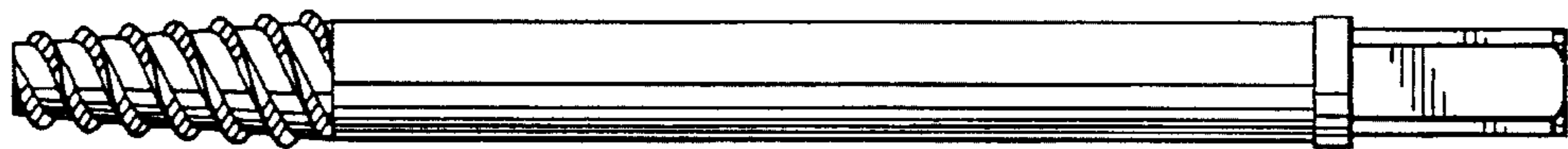


FIG 3

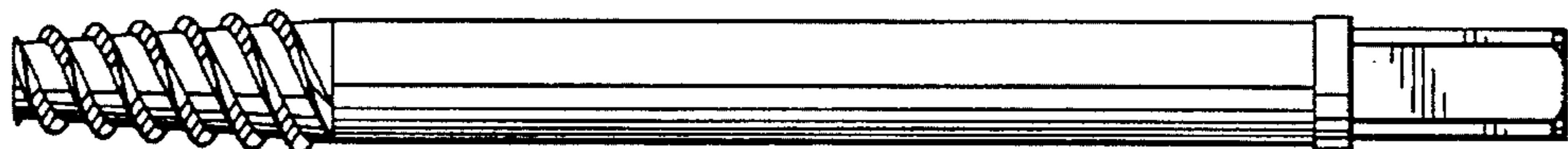


FIG 4

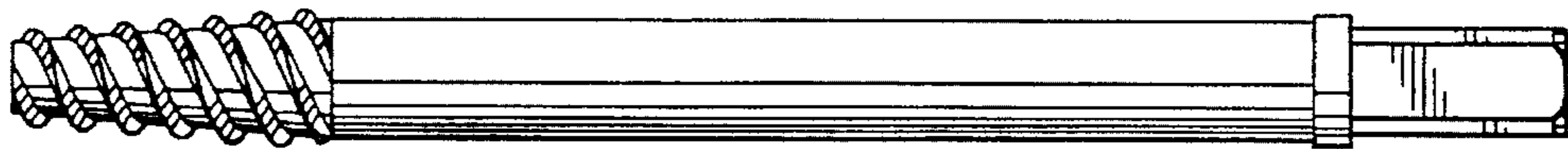


FIG 5

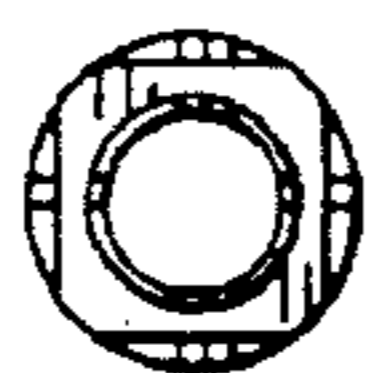


FIG 6



FIG 7