



US00D363292S

United States Patent [19]
Hatcher

[11] **Patent Number: Des. 363,292**

[45] **Date of Patent: **Oct. 17, 1995**

[54] **ANGLED SEVERING HEAD HAVING STABILIZER ASSEMBLY**

4,250,960 2/1981 Chammas 166/55
4,494,601 1/1985 Pratt et al. 166/55
4,619,318 10/1986 Terrell et al. 166/55

[76] Inventor: **Wayne B. Hatcher**, P.O. Box 305,
Harvey, La. 70059

[**] Term: **14 Years**

[21] Appl. No.: **24,967**

[22] Filed: **Jun. 24, 1994**

OTHER PUBLICATIONS

McCulloch Tool Company; McCulloch Chemical Cutter;
Mar. 1957; p. 135; Applicant Provided.

Primary Examiner—Antoine Duval Davis
Attorney, Agent, or Firm—George A. Bode

Related U.S. Application Data

[63] Continuation-in-part of Ser. No. 13,544, Sep. 27, 1993, Ser. No. 13,560, Sep. 27, 1993, Ser. No. 13,563, Sep. 27, 1993, and Ser. No. 13,565, Sep. 27, 1993.

[52] **U.S. Cl.** **D15/139**

[58] **Field of Search** D15/138, 139;
29/525; 53/374.4, 375.3, 550, 552, 390,
397, 139.4; 89/1.15; 102/306, 310; 156/494,
496, 498, 582, 583.3; 166/55, 55.1, 55.7,
63, 212, 287, 297, 298, 299, 319; 175/2-4.6

[56] **References Cited**

U.S. PATENT DOCUMENTS

D. 308,874 6/1990 Tsujimura et al. D15/139
4,125,161 11/1978 Chammas 166/297

[57] **CLAIM**

The ornamental design for an angled severing head having stabilizer assembly, as shown and described.

DESCRIPTION

FIG. 1 is a top, front and left side perspective view of an angled severing head having stabilizer assembly showing my new design;

FIG. 2 is a front elevational view thereof;

FIG. 3 is a right side elevational view thereof;

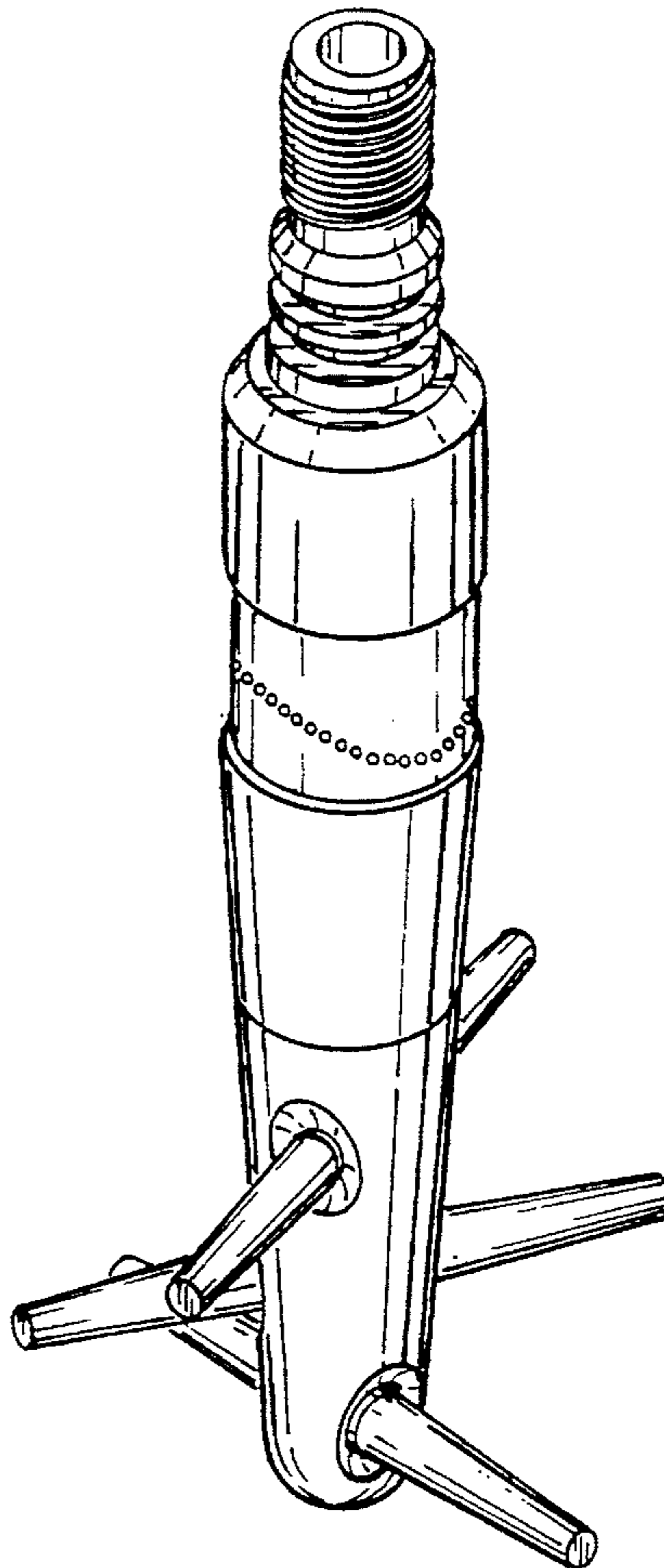
FIG. 4 is a top plan view thereof;

FIG. 5 is a bottom plan view thereof;

FIG. 6 is a rear elevational view thereof; and,

FIG. 7 is a left side elevational view thereof.

1 Claim, 2 Drawing Sheets



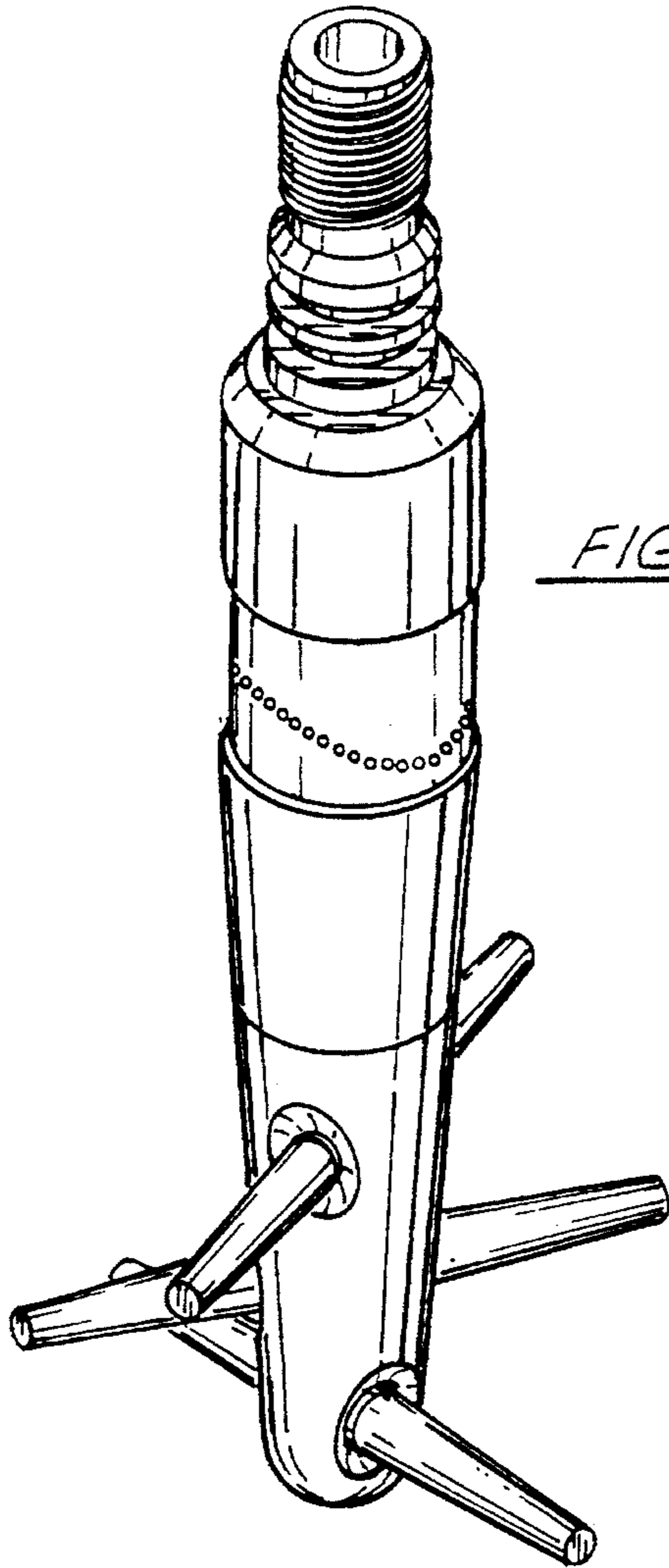


FIG. 1

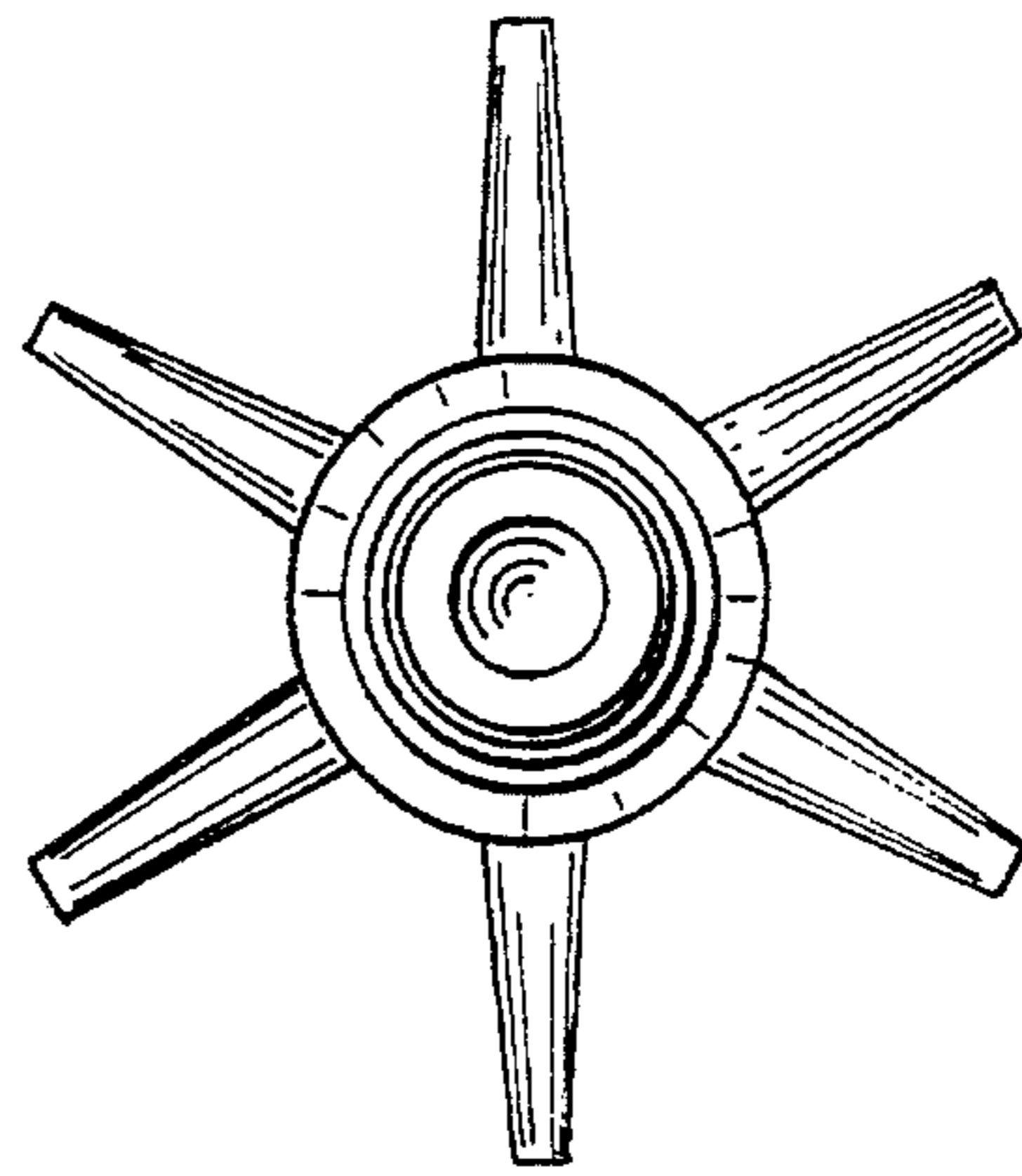


FIG. 4

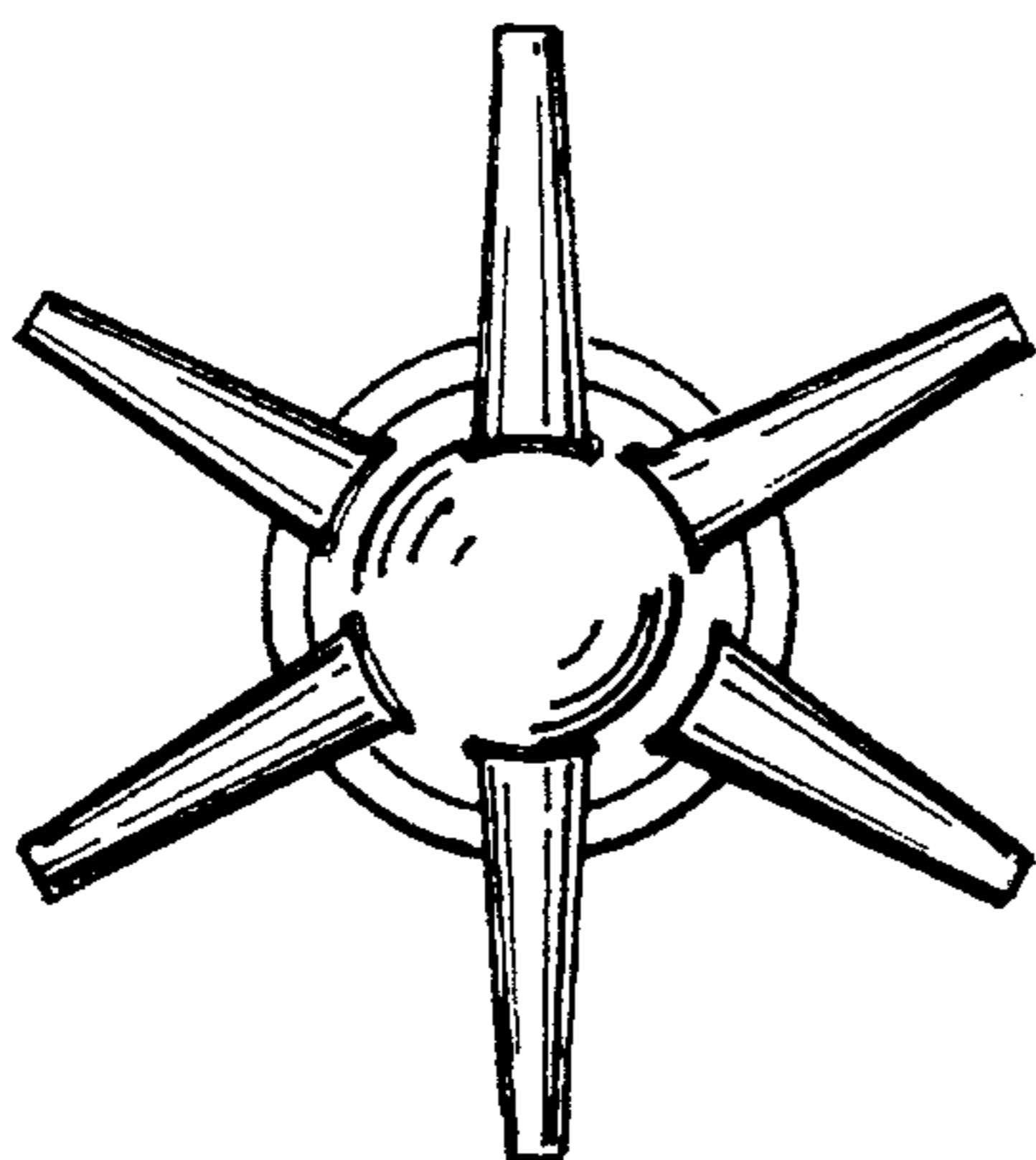


FIG. 5

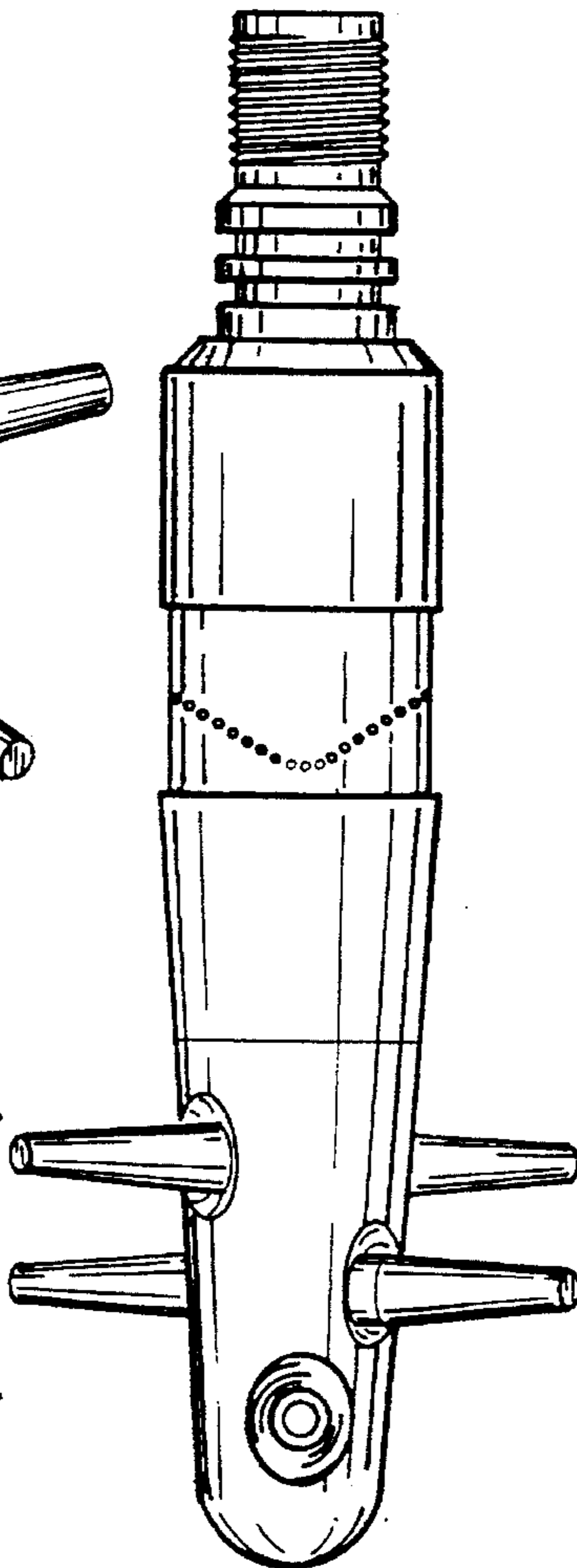


FIG. 2

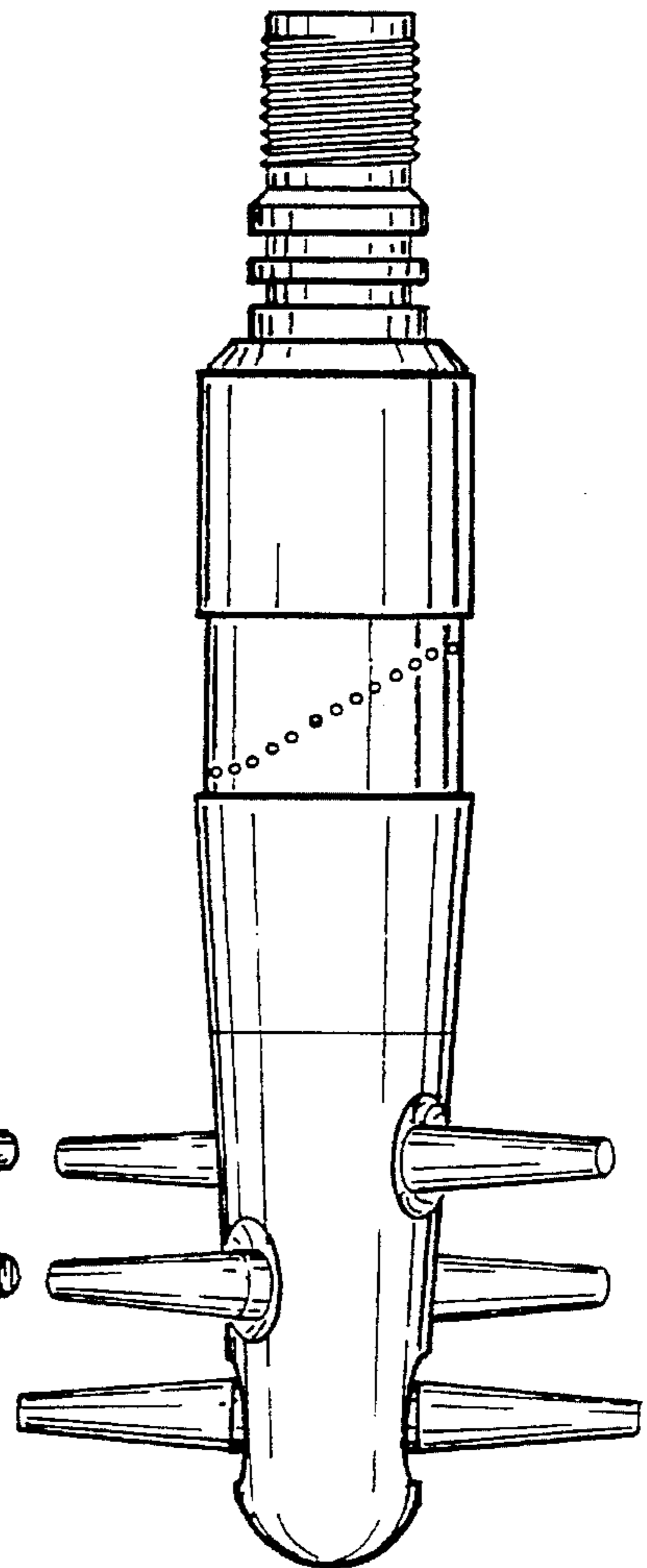


FIG. 3

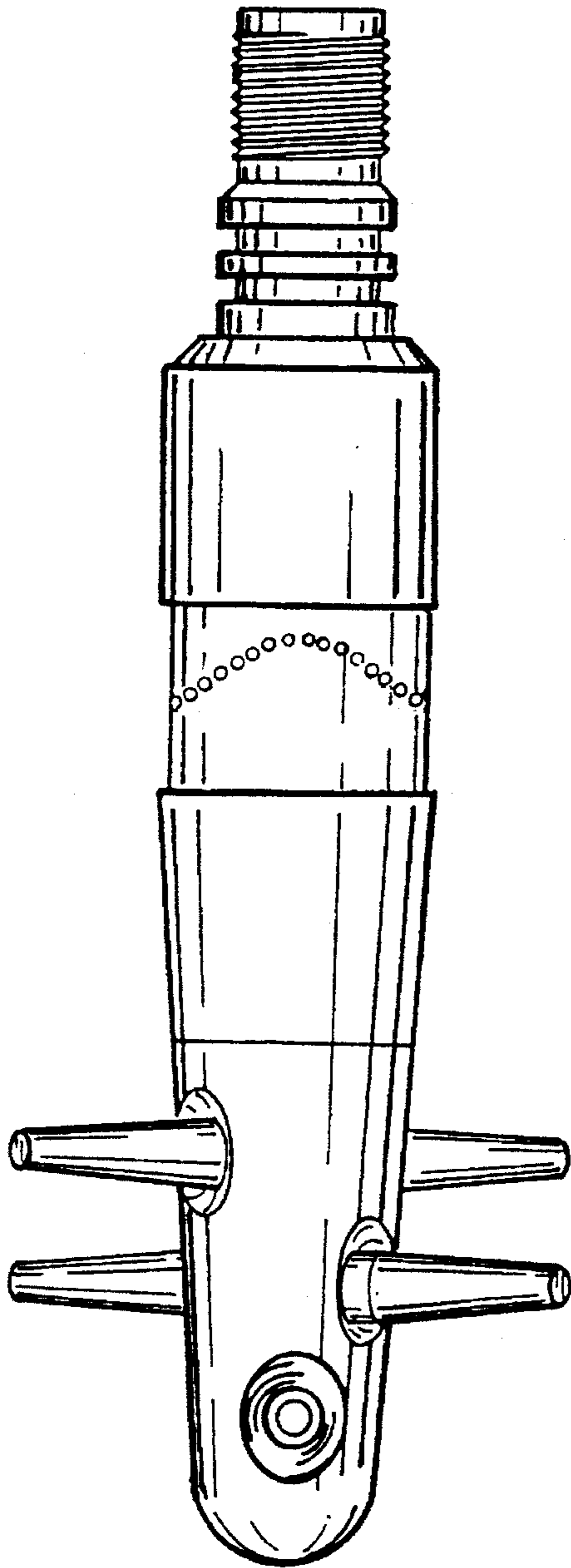


FIG. 6

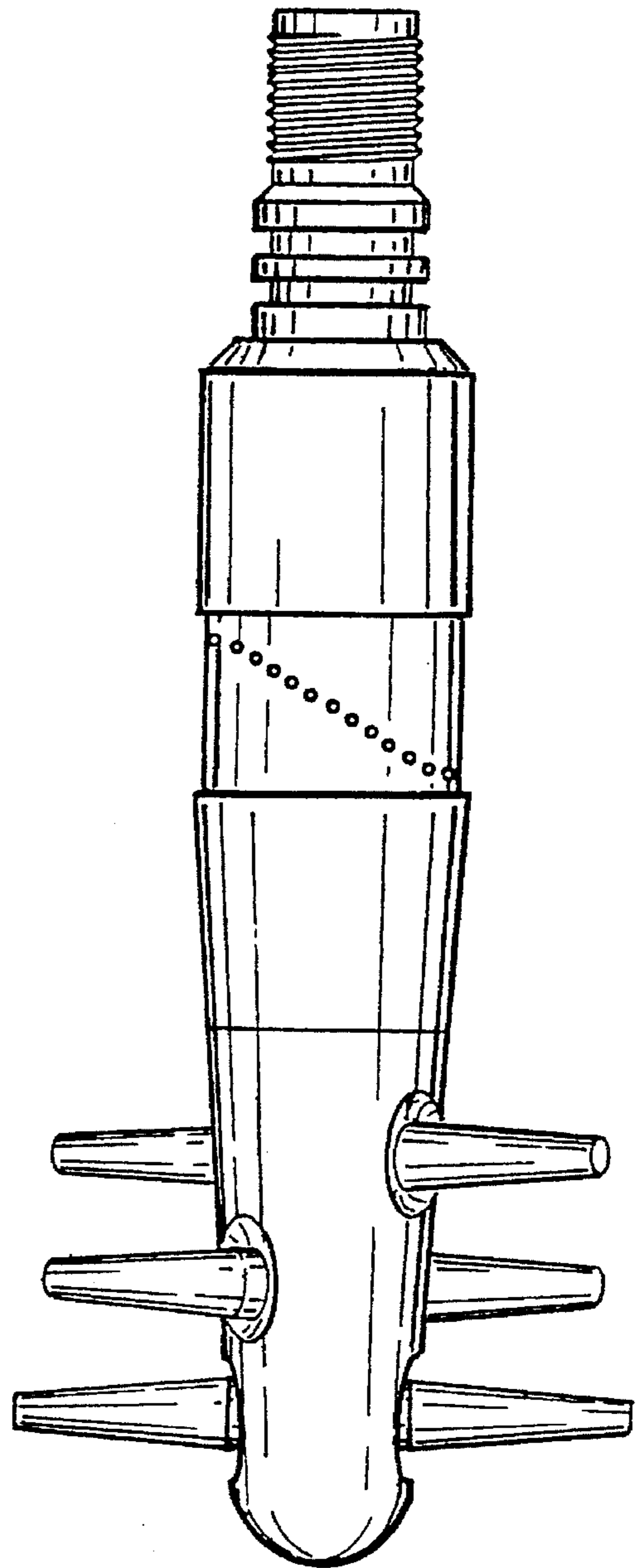


FIG. 7