



US00D363291S

United States Patent [19]

[11] **Patent Number: Des. 363,291**

Watson et al.

[45] **Date of Patent: **Oct. 17, 1995**

[54] **OSCILLATING SPINDLE SANDER**

5,045,741 9/1991 Dvorsky 310/209
5,402,604 4/1995 Hashii et al. 451/155

[75] Inventors: **James B. Watson**, Conyers, Ga.; **James D. Schroeder**, St. Peters, Mo.; **J. Douglas Alsup**, Conyers, Ga.

Primary Examiner—Antoine Duval Davis
Attorney, Agent, or Firm—Polster, Lieder, Woodruff & Lucchesi

[73] Assignee: **Emerson Electric Co.**, St. Louis, Mo.

[57] **CLAIM**

[**] Term: **14 Years**

The ornamental design for an oscillating spindle sander, as shown and described.

[21] Appl. No.: **30,620**

[22] Filed: **Nov. 3, 1994**

[52] **U.S. Cl.** **D15/130**

[58] **Field of Search** D15/130; 144/117 R-117 L;
451/65, 121, 155, 157, 241, 414

DESCRIPTION

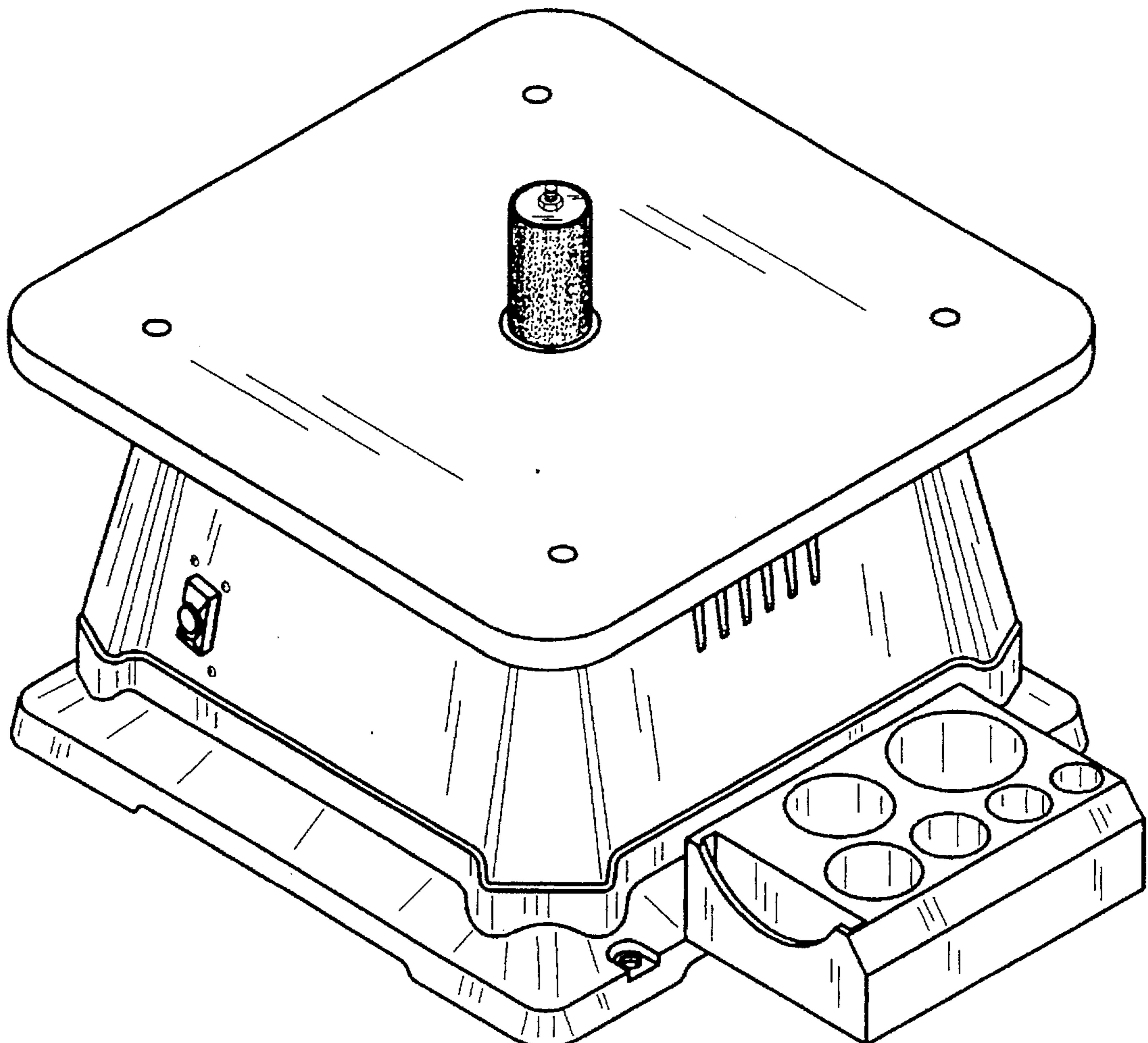
FIG. 1 is a front perspective of our new oscillating spindle sander as viewed from along the right side thereof; FIG. 2 is a front perspective similar to FIG. 1 with a portion removed; FIG. 3 is a front elevational view thereof; FIG. 4 is a rear elevational view thereof; FIG. 5 is a right side elevational view thereof; FIG. 6 is a left side elevational view thereof; FIG. 7 is a top plan view thereof; and, FIG. 8 is a bottom plan view thereof.

[56] **References Cited**

U.S. PATENT DOCUMENTS

D. 345,366	3/1994	Hewitt	D15/125
D. 349,292	8/1994	Chunn	D15/125
3,868,791	3/1975	Burns	51/34
3,903,657	9/1975	Pfister	51/170
4,558,538	12/1985	Green	51/72
4,821,457	4/1989	Ianuzzi	451/155

1 Claim, 4 Drawing Sheets



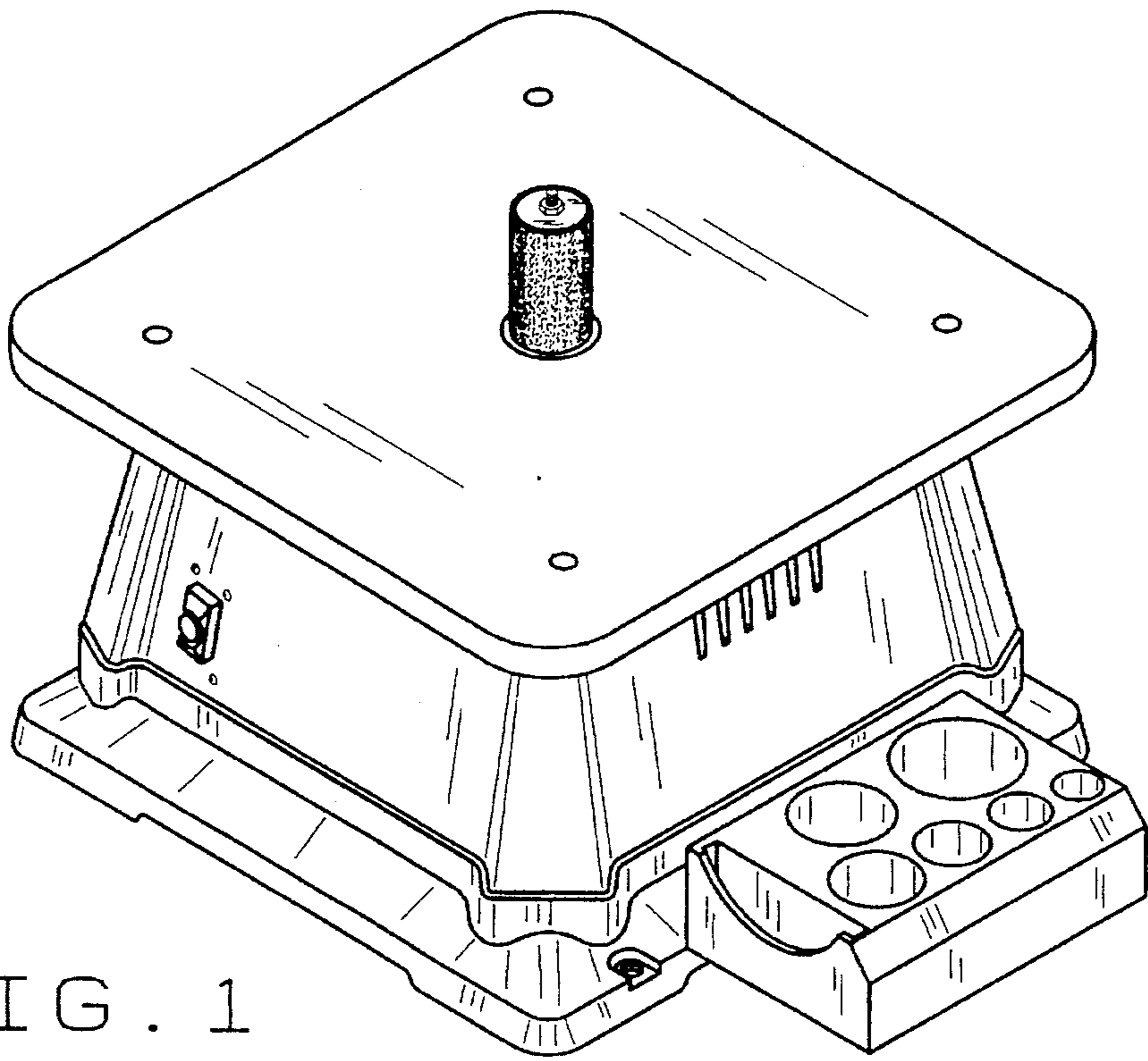


FIG. 1

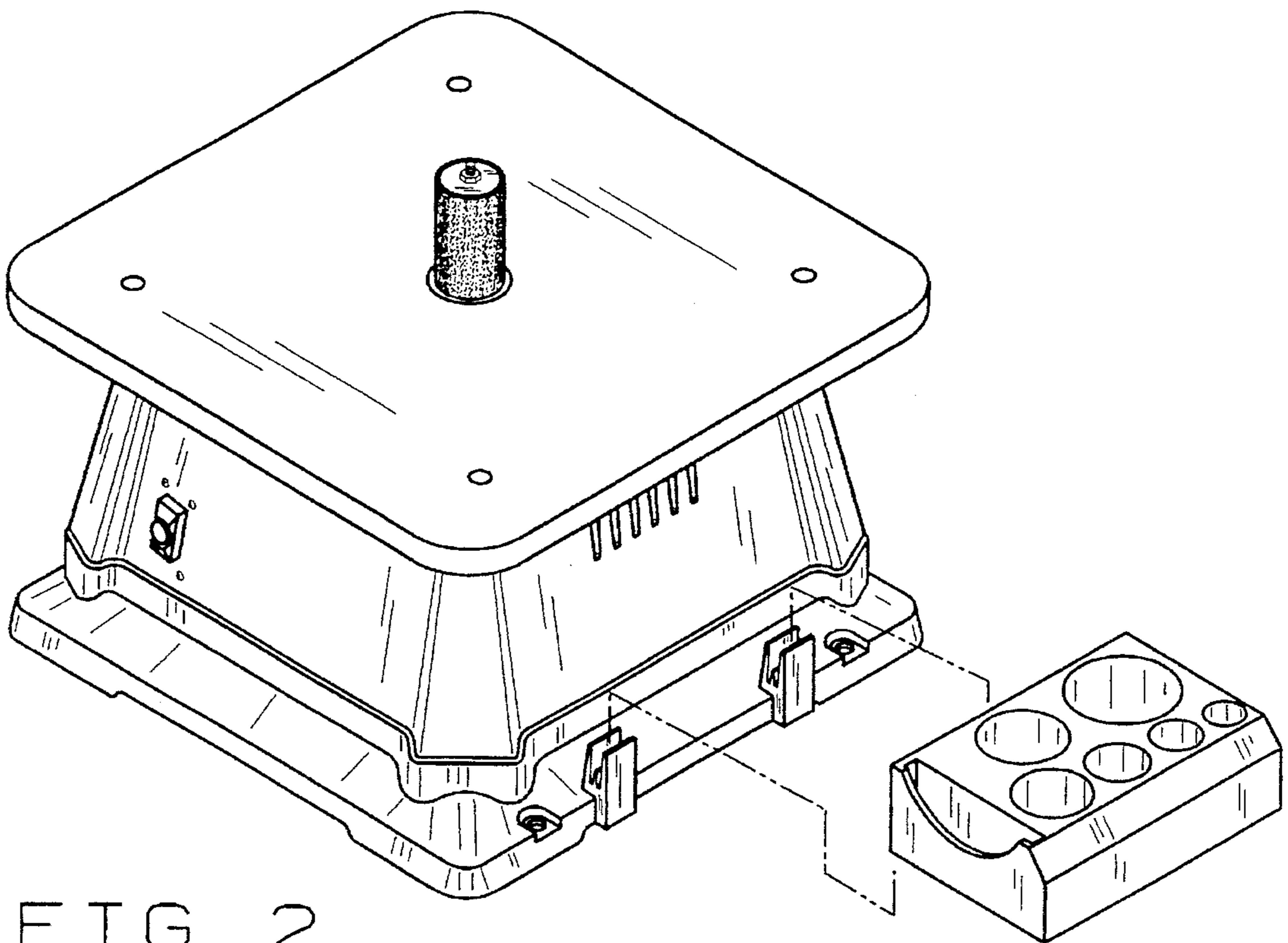


FIG. 2

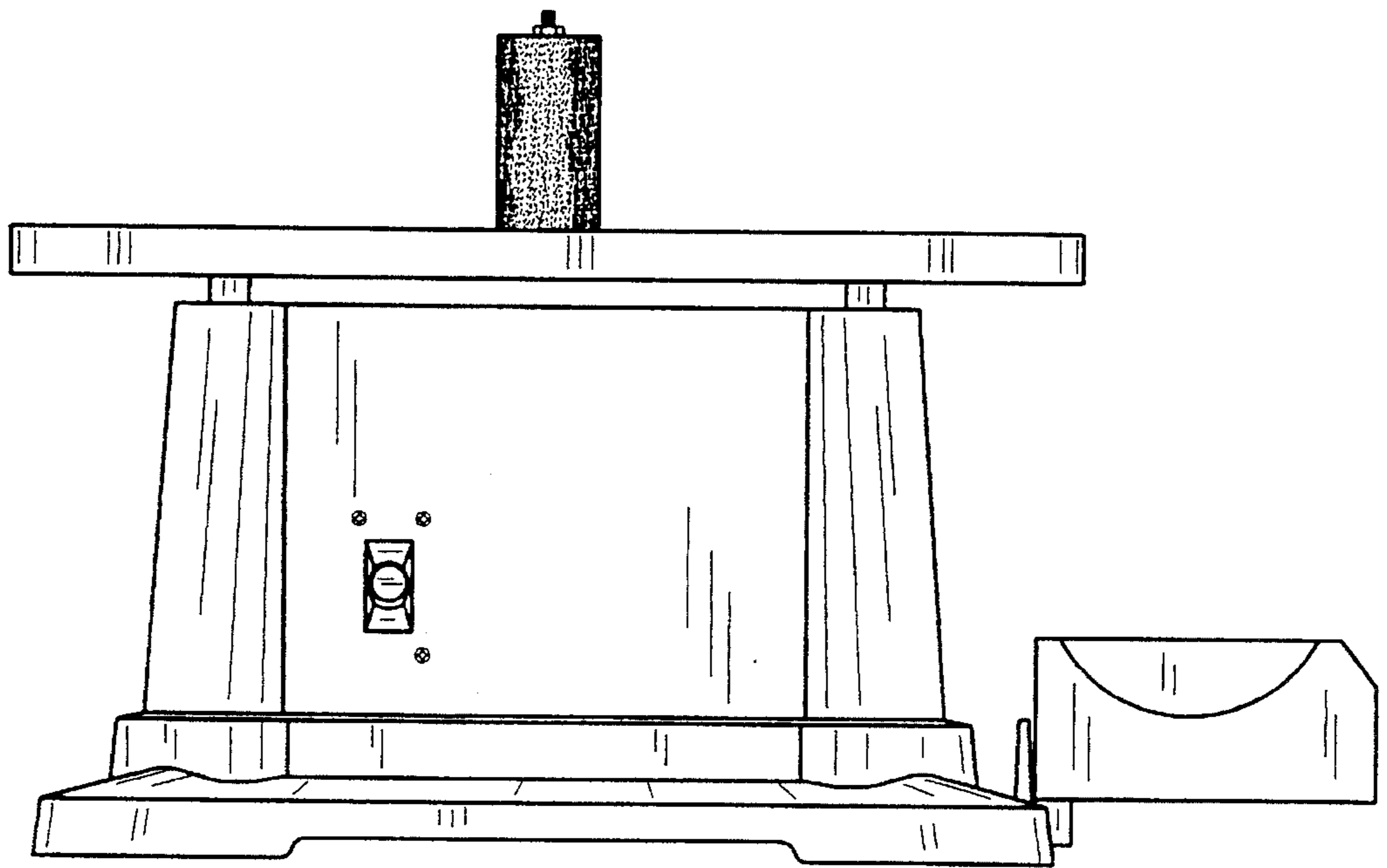


FIG. 3

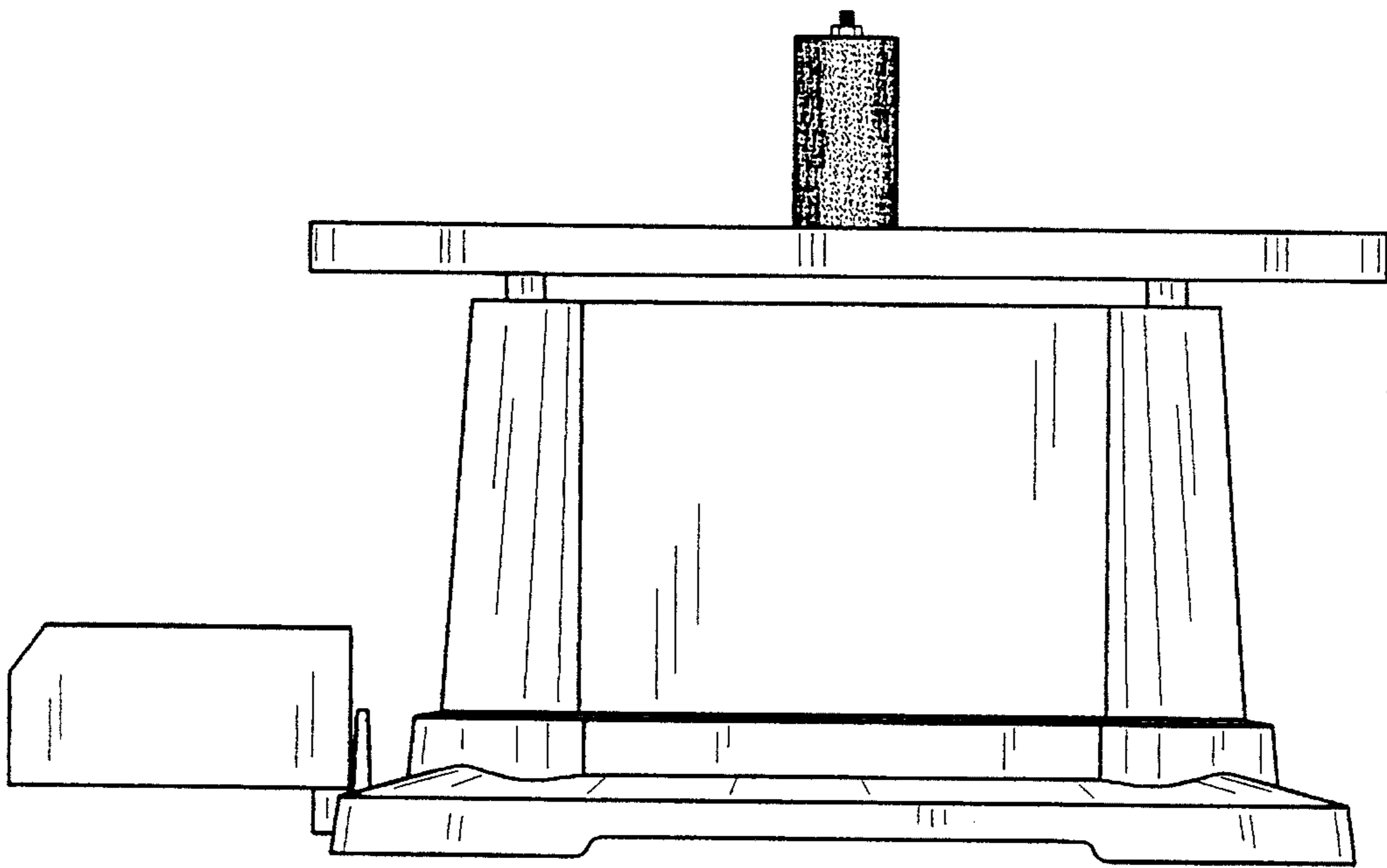


FIG. 4

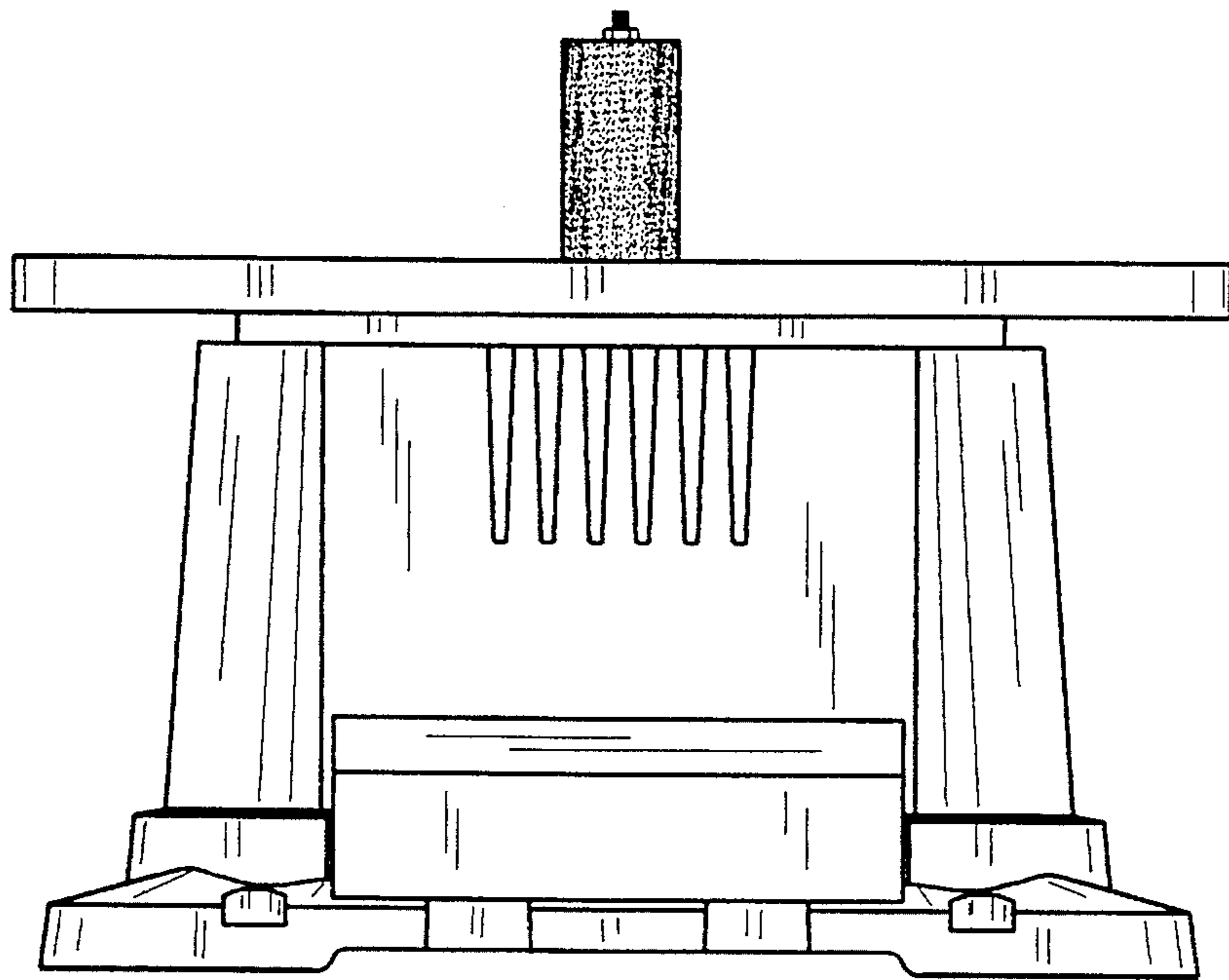


FIG. 5

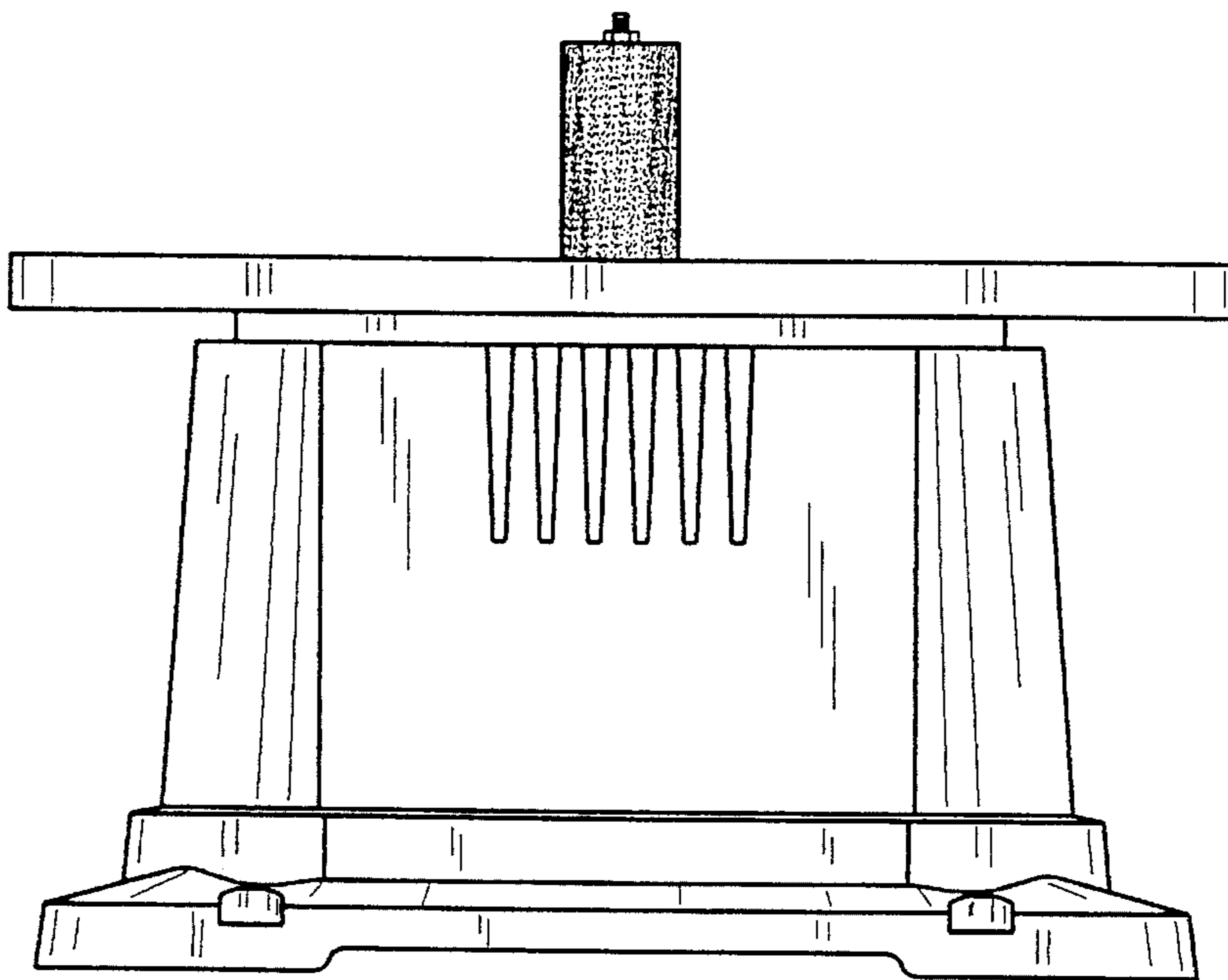


FIG. 6

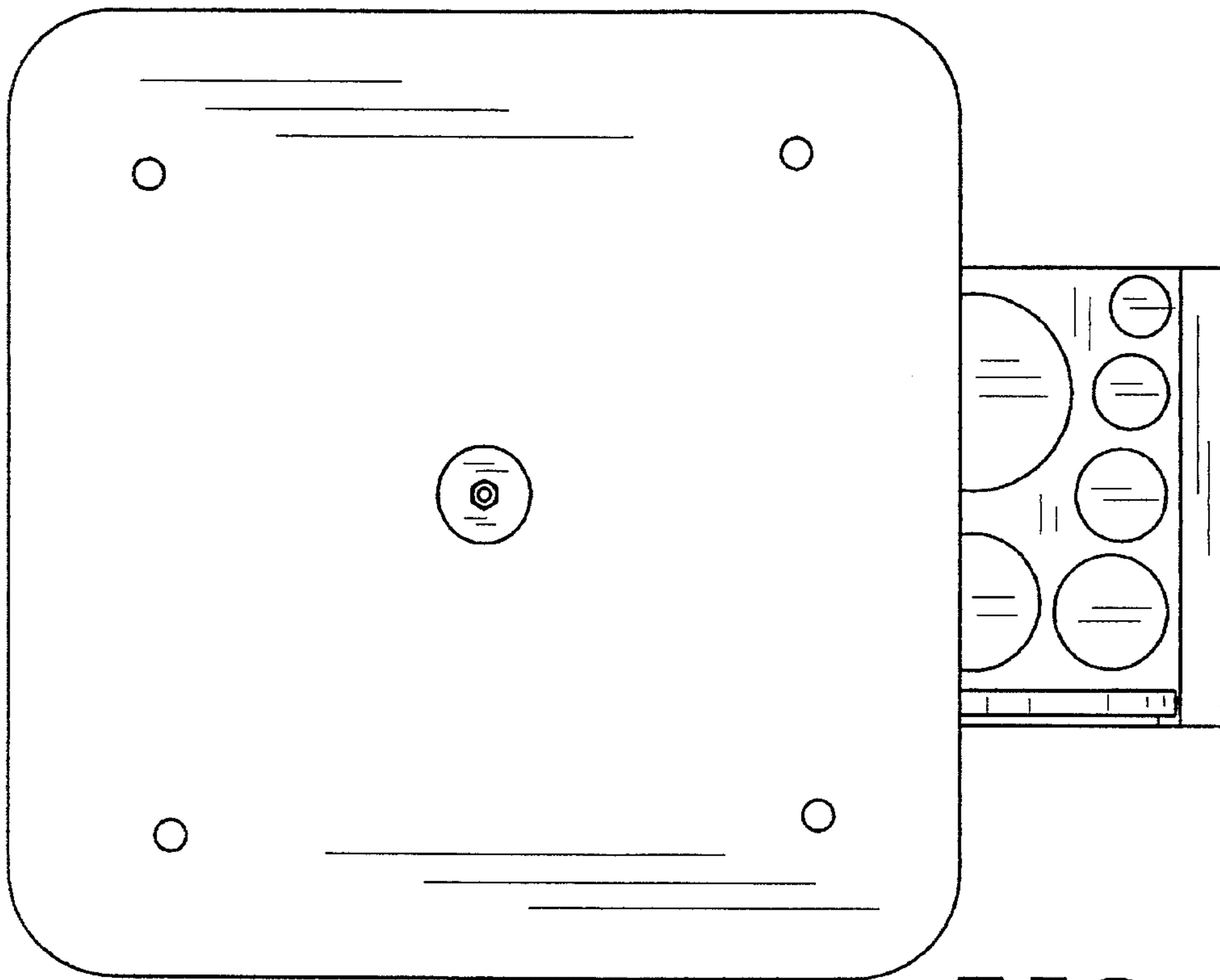


FIG. 7

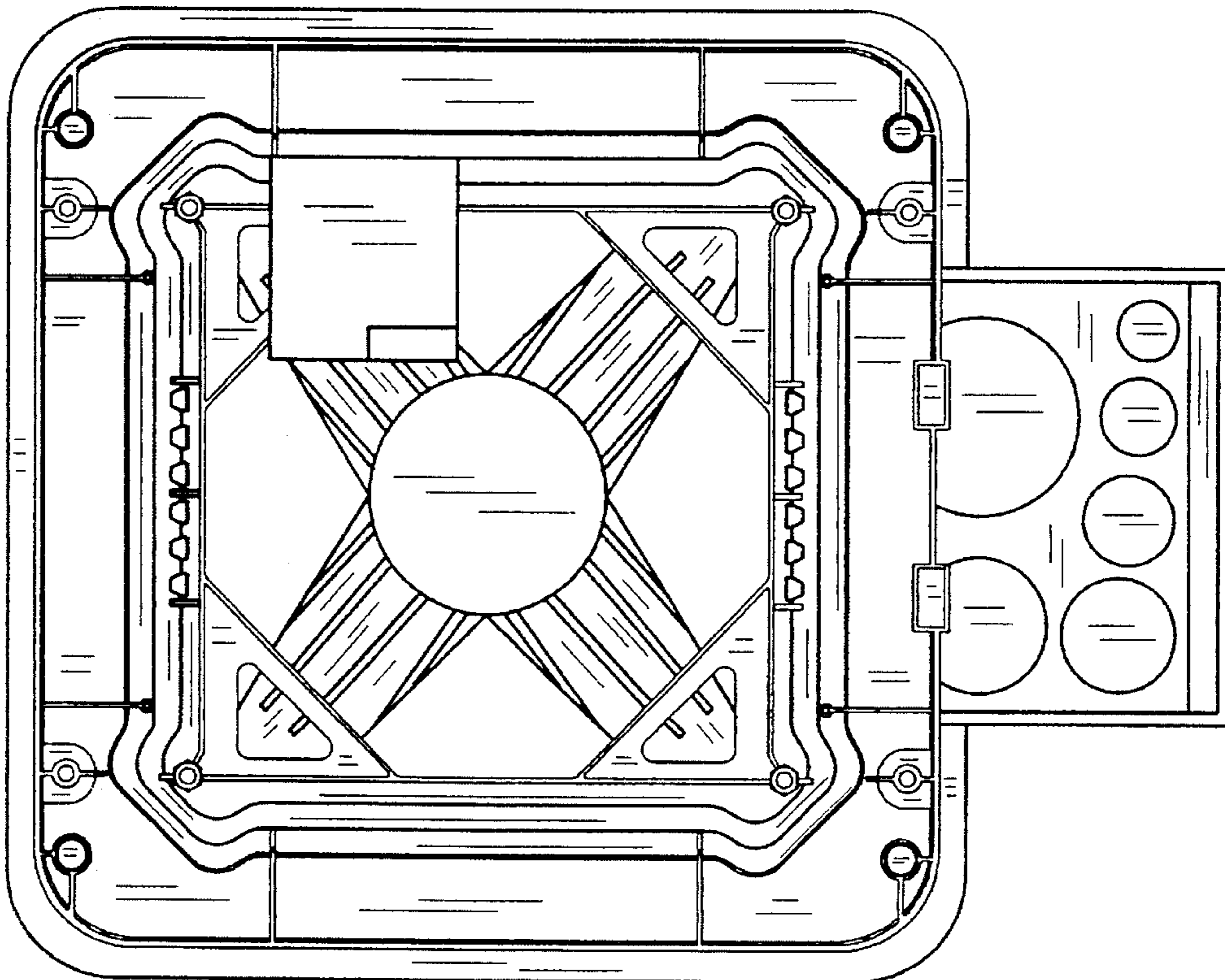


FIG. 8