



US00D363290S

# United States Patent [19] Kim

[11] **Patent Number:** **Des. 363,290**  
[45] **Date of Patent:** **\*\*Oct. 17, 1995**

[54] **HANDSET OF FACSIMILE**  
[75] Inventor: **Young-Ho Kim**, Seoul, Rep. of Korea  
[73] Assignee: **Goldstar Co., Ltd.**, Seoul, Rep. of Korea  
[\*\*] Term: **14 Years**

D. 315,725 3/1991 Yokoyama et al. .... D14/118  
D. 321,868 11/1991 Anderson ..... D14/118  
D. 324,682 3/1992 Renard et al. .... D14/151  
D. 325,381 4/1992 Dennis et al. .... D15/144 X  
D. 344,525 2/1994 Gillet et al. .... D14/248  
D. 355,659 2/1995 Lee et al. .... D14/147 X  
4,736,411 4/1988 Chan ..... 379/368  
4,776,009 10/1988 Gumb et al. .... 379/433

[21] Appl. No.: **27,971**  
[22] Filed: **Sep. 2, 1994**  
[30] **Foreign Application Priority Data**

*Primary Examiner*—Jeffrey Asch  
*Attorney, Agent, or Firm*—Birch, Stewart, Kolasch & Birch

Apr. 27, 1994 [KR] Rep. of Korea ..... 94-8848  
[52] **U.S. Cl.** ..... **D14/248**; D14/118  
[58] **Field of Search** ..... D14/137, 138,  
D14/101, 118, 140, 142, 147, 148, 149-151,  
240, 248, 144; 379/58-61, 428, 440, 433,  
368; 358/400, 401

[57] **CLAIM**

The ornamental design for a handset of facsimile, as shown and described.

[56] **References Cited**

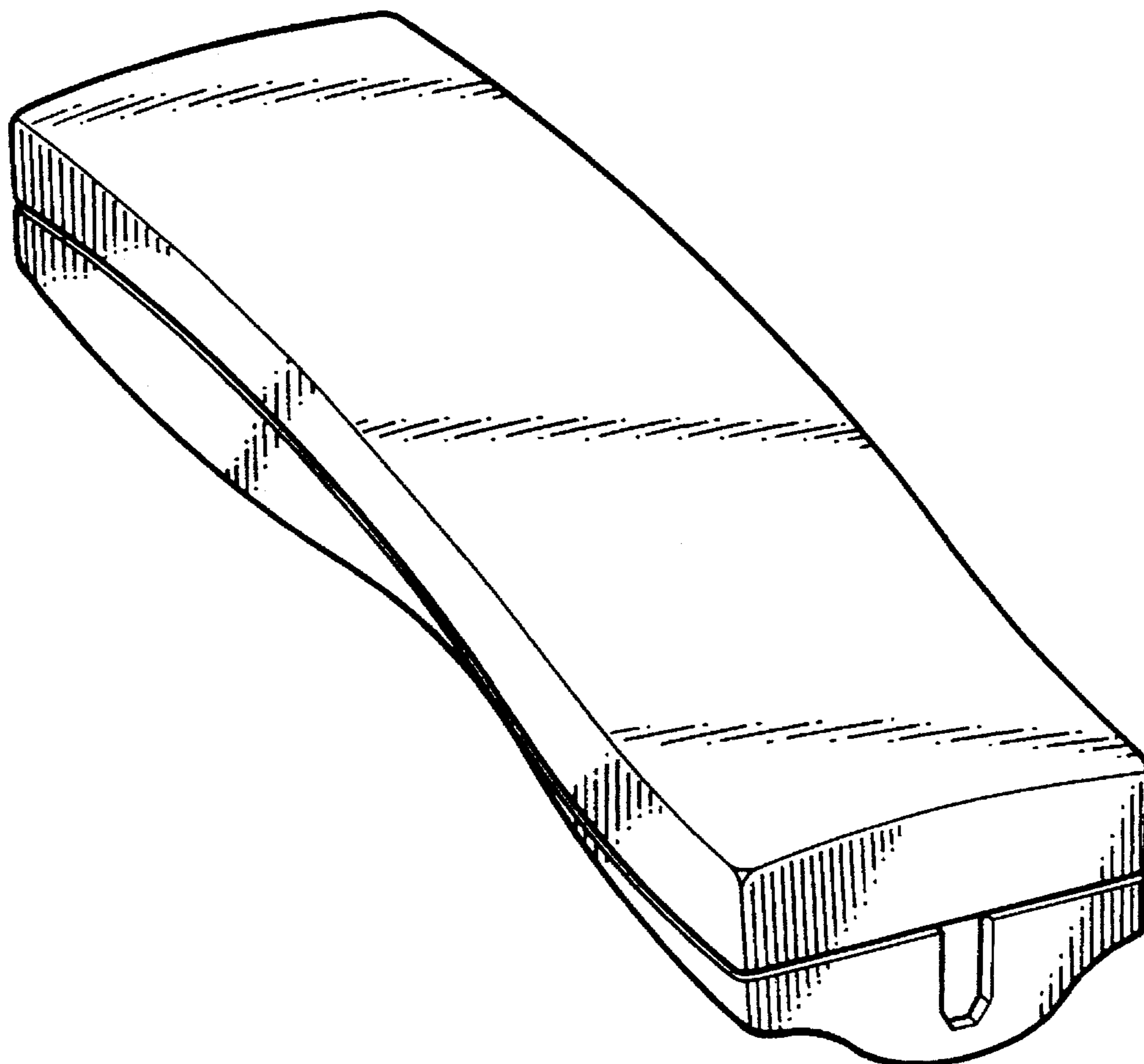
**DESCRIPTION**

**U.S. PATENT DOCUMENTS**

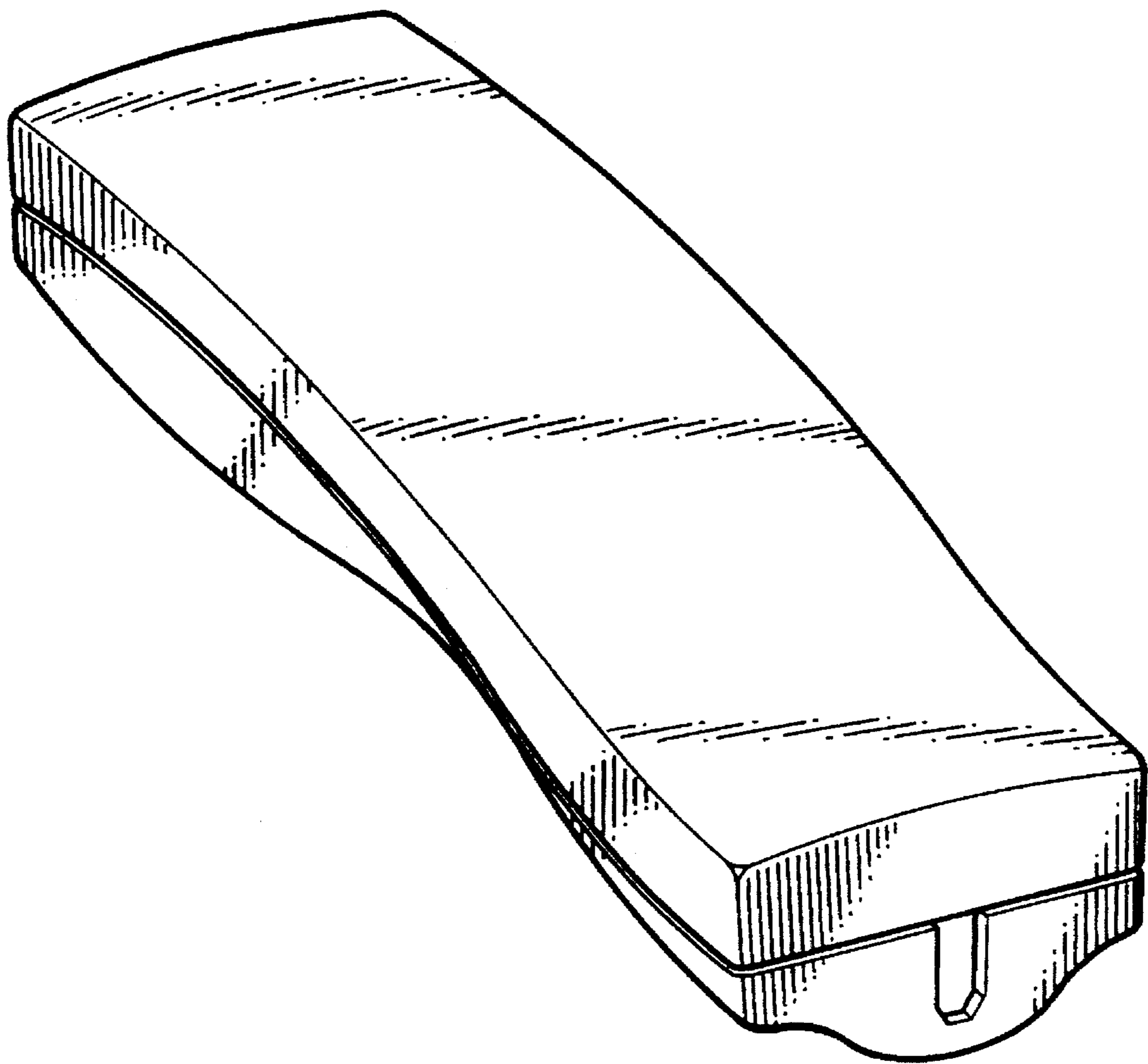
D. 297,009 8/1988 Grambush et al. .... D14/138  
D. 297,732 9/1988 Chan ..... D14/149  
D. 298,827 12/1988 Miozzo ..... D14/149

FIG. 1 is a perspective view of a handset of facsimile showing my new design;  
FIG. 2 is a front elevational view thereof;  
FIG. 3 is a rear elevational view thereof;  
FIG. 4 is a left side elevational view thereof the right side being a mirror image;  
FIG. 5 is a top plan view thereof; and  
FIG. 6 is a bottom plan view thereof.

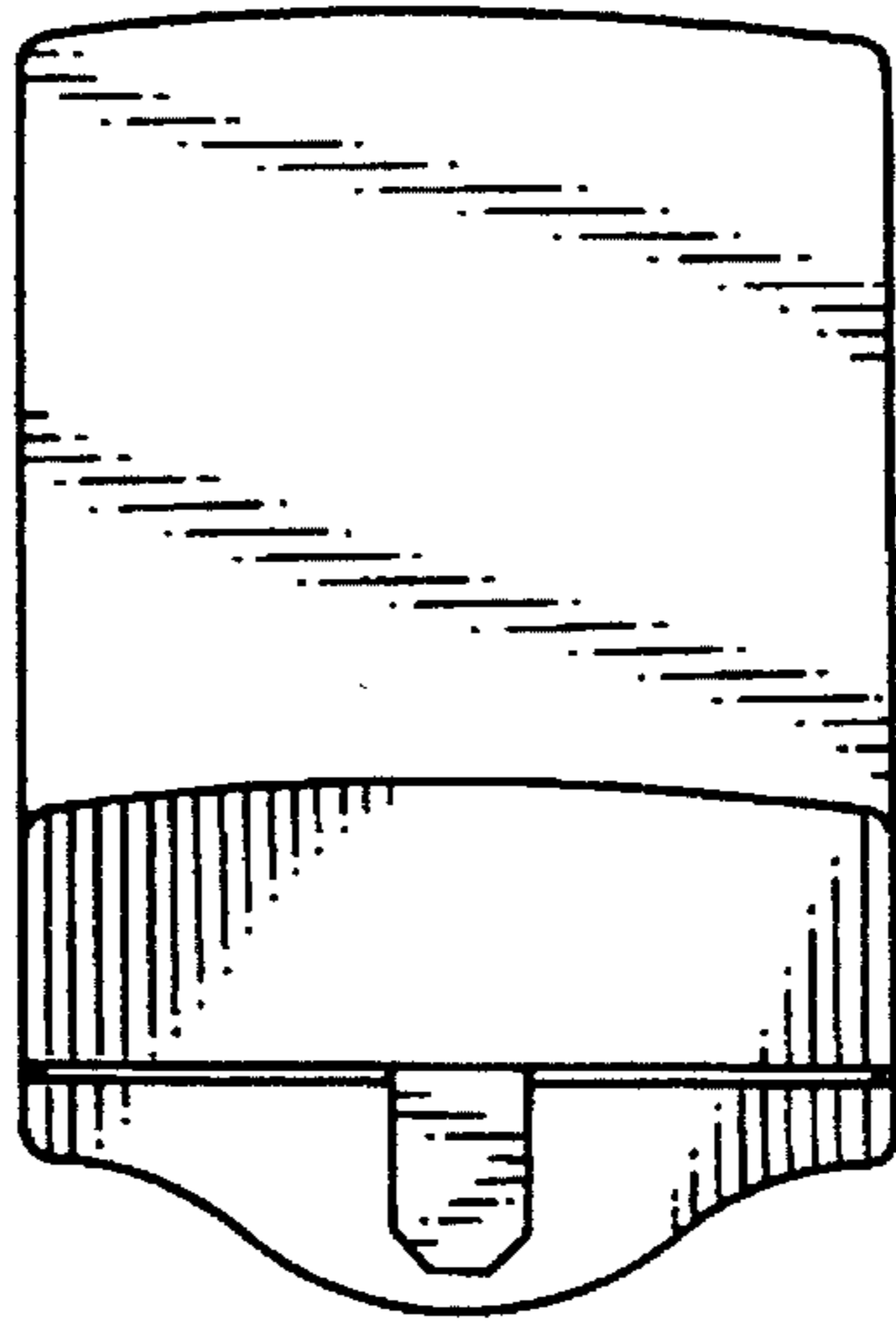
**1 Claim, 3 Drawing Sheets**



F I G . 1



F I G . 2



F I G . 3

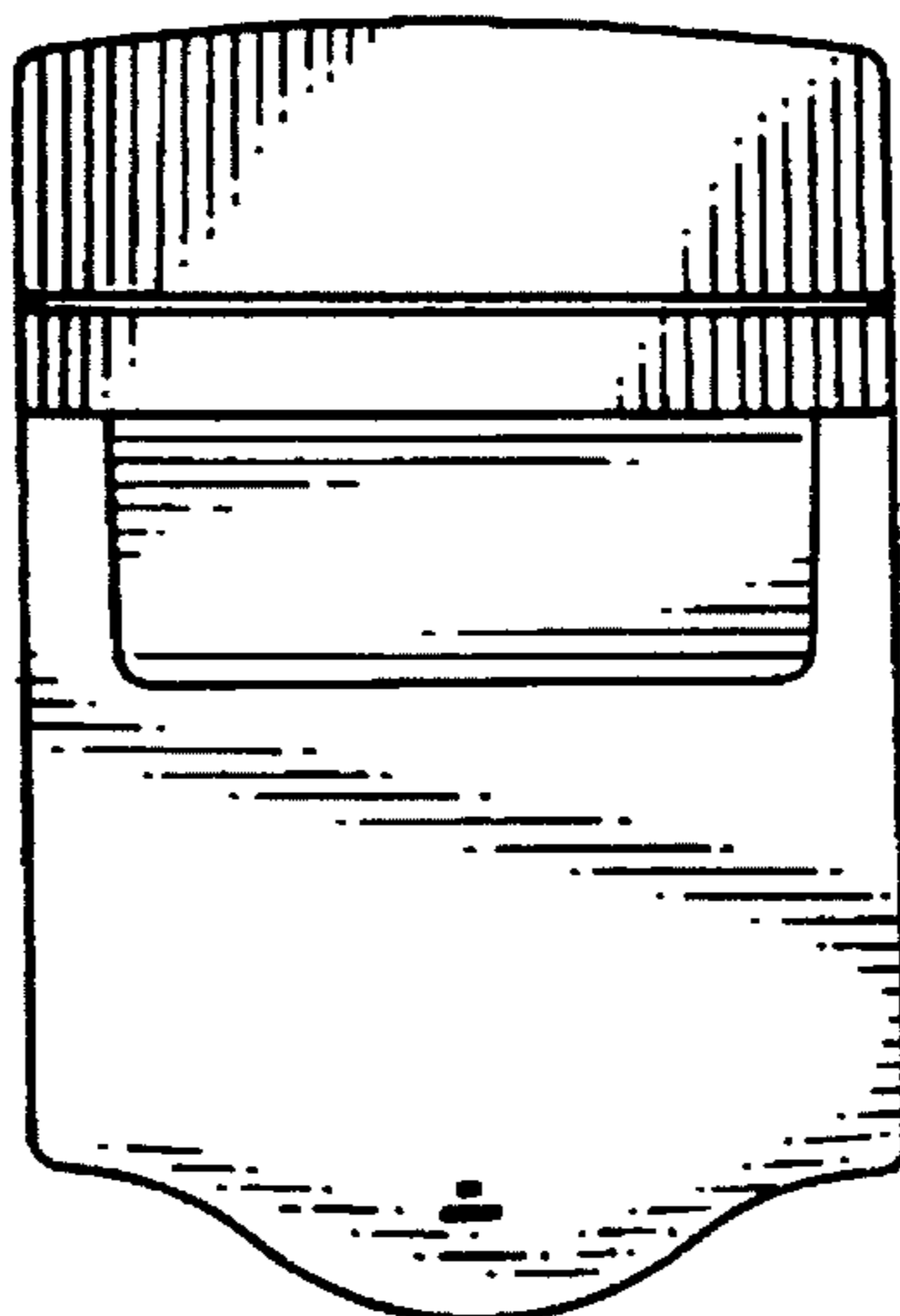


FIG. 4

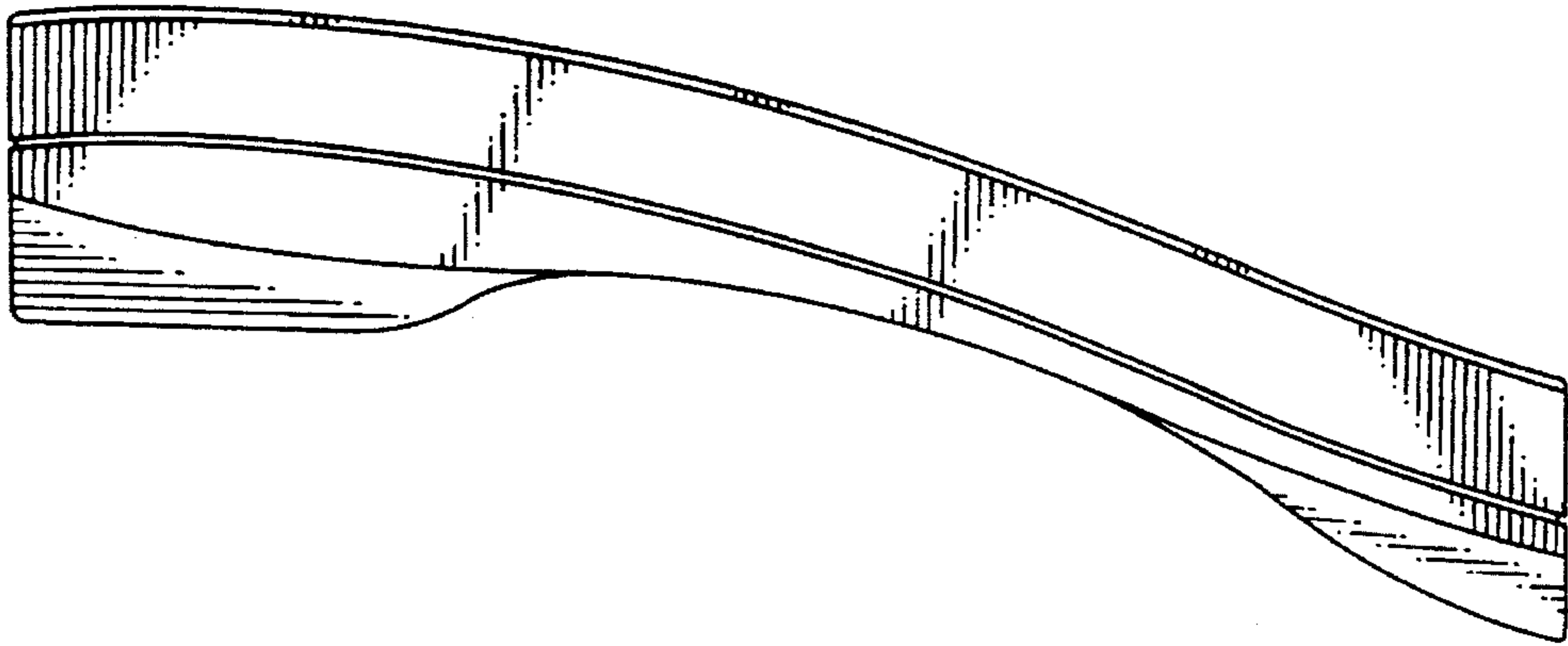


FIG. 5

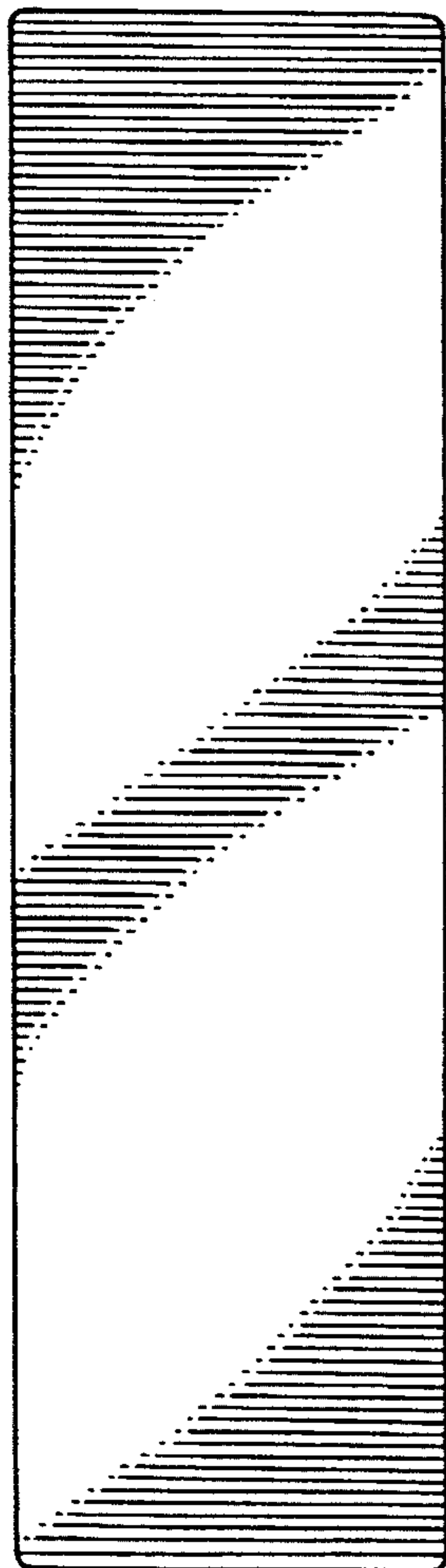


FIG. 6

