



US00D363282S

# United States Patent [19]

[11] Patent Number: **Des. 363,282**

Wicks et al.

[45] Date of Patent: **\*\*Oct. 17, 1995**

[54] **DIGITAL ANSWERING MACHINE FOR A CORDLESS TELEPHONE**

D. 350,745	9/1994	Tamura et al.	.....	D14/141
D. 351,389	10/1994	Vananderoye	.....	D14/217
D. 352,709	11/1994	Solomita et al.	.....	D14/141

[75] Inventors: **James Wicks**, Hoboken, N.J.; **Ichiro Hino**, Tokyo, Japan

*Primary Examiner*—Jeffrey Asch  
*Attorney, Agent, or Firm*—Jay H. Maioli

[73] Assignee: **Sony Electronics, Inc.**, Park Ridge, N.J.

[57] **CLAIM**

[\*\*] Term: **14 Years**

The ornamental design for a digital answering machine for a cordless telephone, as shown and described.

[21] Appl. No.: **28,352**

**DESCRIPTION**

[22] Filed: **Sep. 13, 1994**

[52] U.S. Cl. .... **D14/141**

[58] **Field of Search** ..... D14/217, 241,  
D14/140, 141, 156, 142, 149, 107, 114;  
D21/48, 13; 379/67, 70, 88

FIG. 1 is a top, front and right-side perspective view of a digital answering machine for a cordless telephone, showing our new design;

FIG. 2 is a top, front and right-side perspective view thereof, shown adjacent a cordless telephone, the broken line showing of the telephone is included for the purpose of illustrating environmental structure only and forms no part of the claimed design;

FIG. 3 is a top plan view thereof;

FIG. 4 is a bottom plan view thereof;

FIG. 5 is a left-side elevational view thereof;

FIG. 6 is a right-side elevational thereof;

FIG. 7 is a rear elevational view thereof; and,

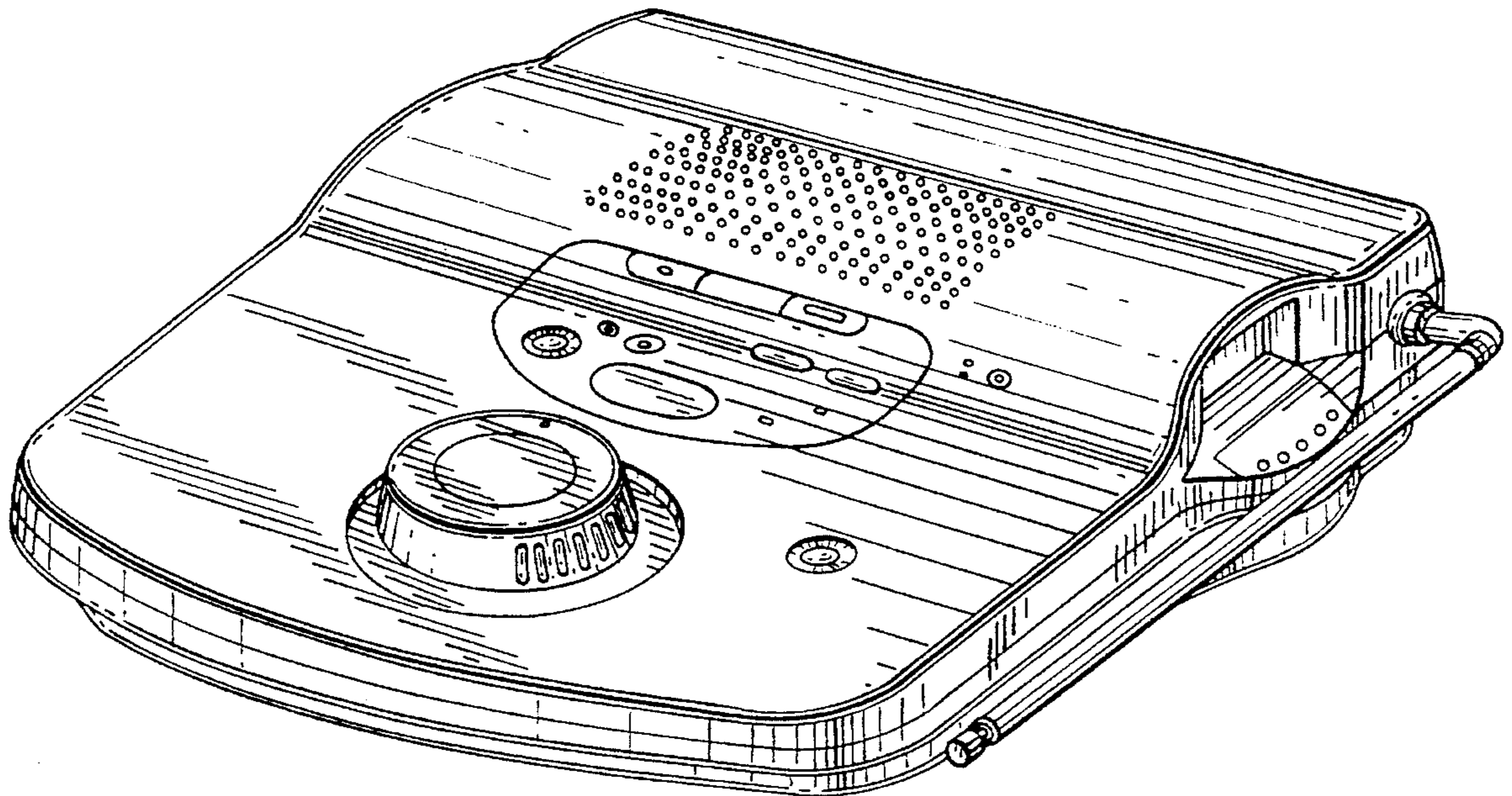
FIG. 8 is a front elevational view thereof.

[56] **References Cited**

**U.S. PATENT DOCUMENTS**

D. 316,262	4/1991	Kikutani	.....	D14/141
D. 333,686	3/1993	Barr et al.	.....	D21/48
D. 338,885	8/1993	Solomita et al.	.....	D14/141
D. 340,916	11/1993	Iimura	.....	D14/107 X
D. 341,833	11/1993	Mackay et al.	.....	D14/217
D. 350,130	8/1994	Yoshitake et al.	.....	D14/141
D. 350,539	9/1994	Yatabe et al.	.....	D14/141

**1 Claim, 5 Drawing Sheets**



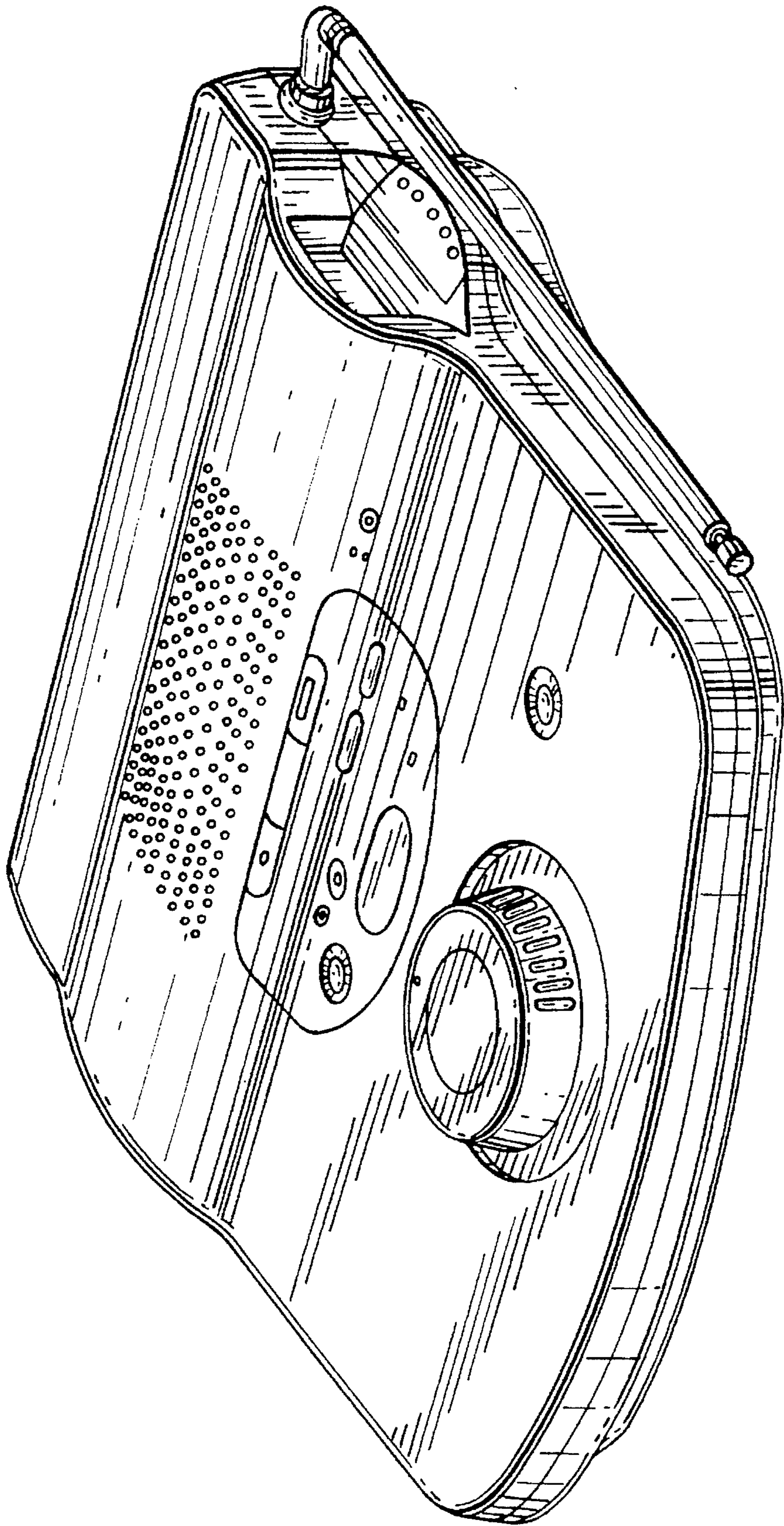


FIG. 1

FIG. 2

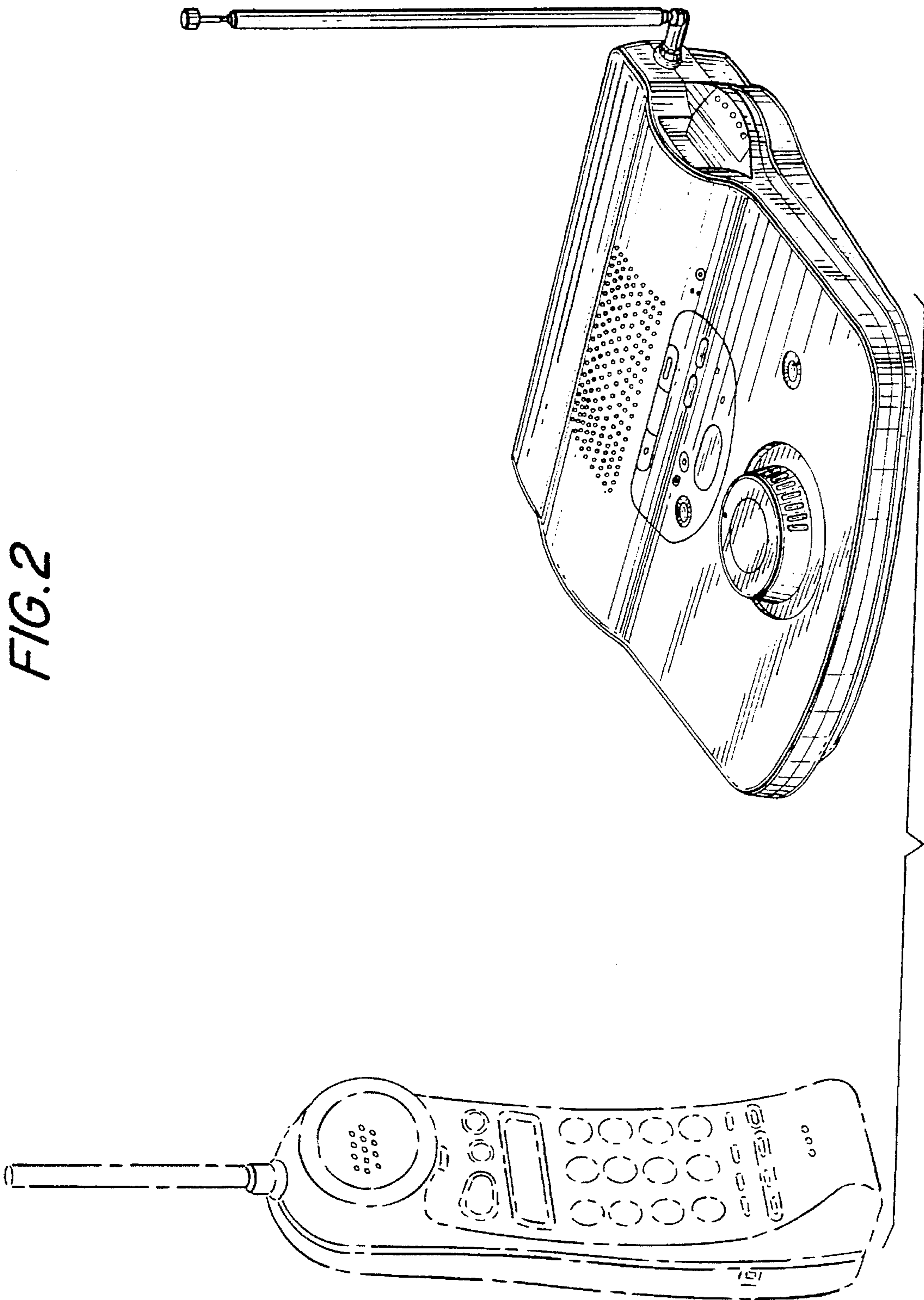


FIG. 3

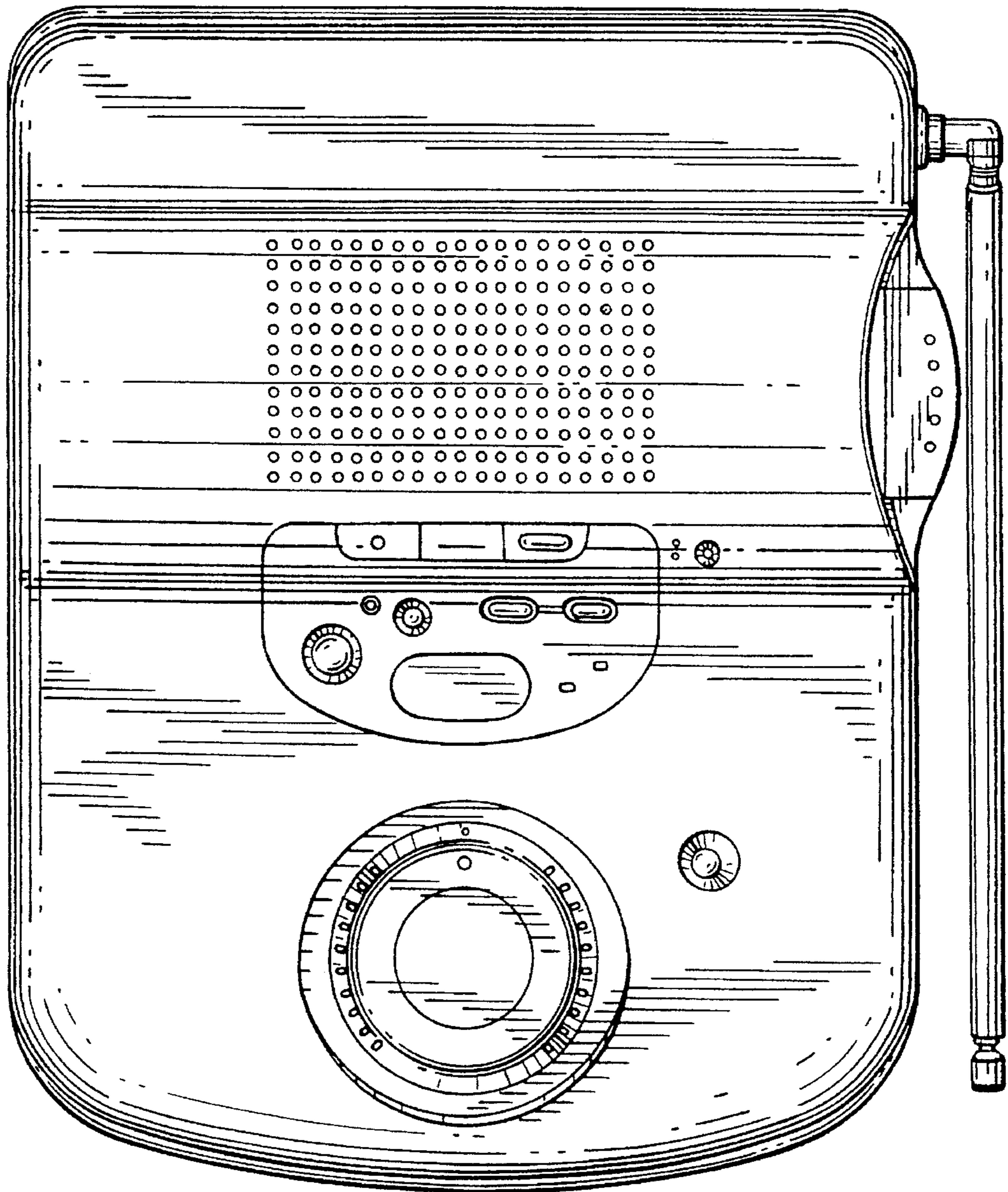


FIG. 8

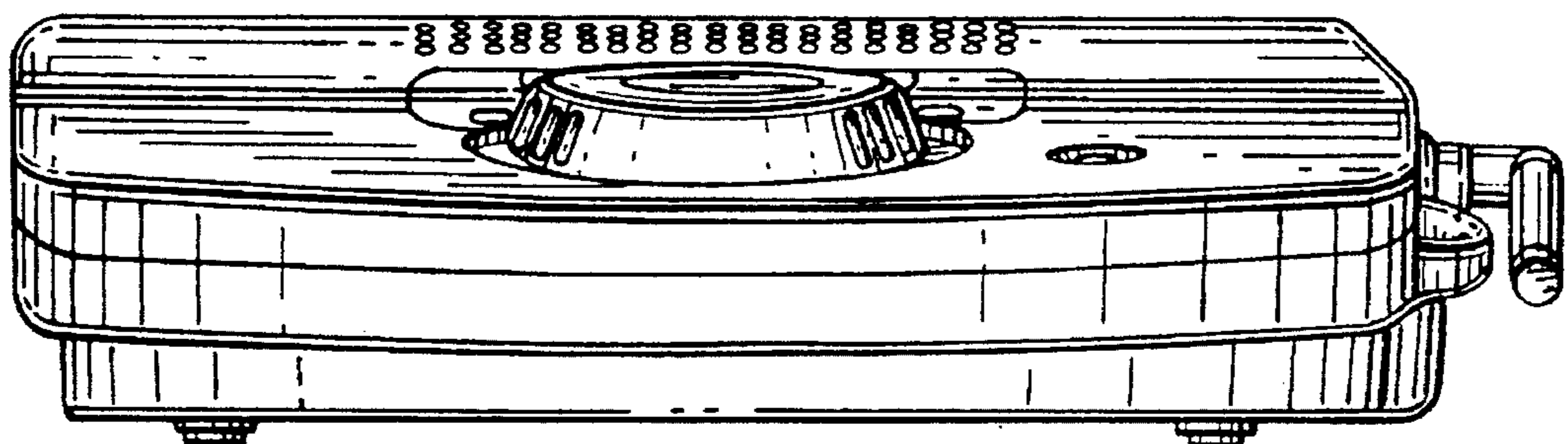


FIG. 4

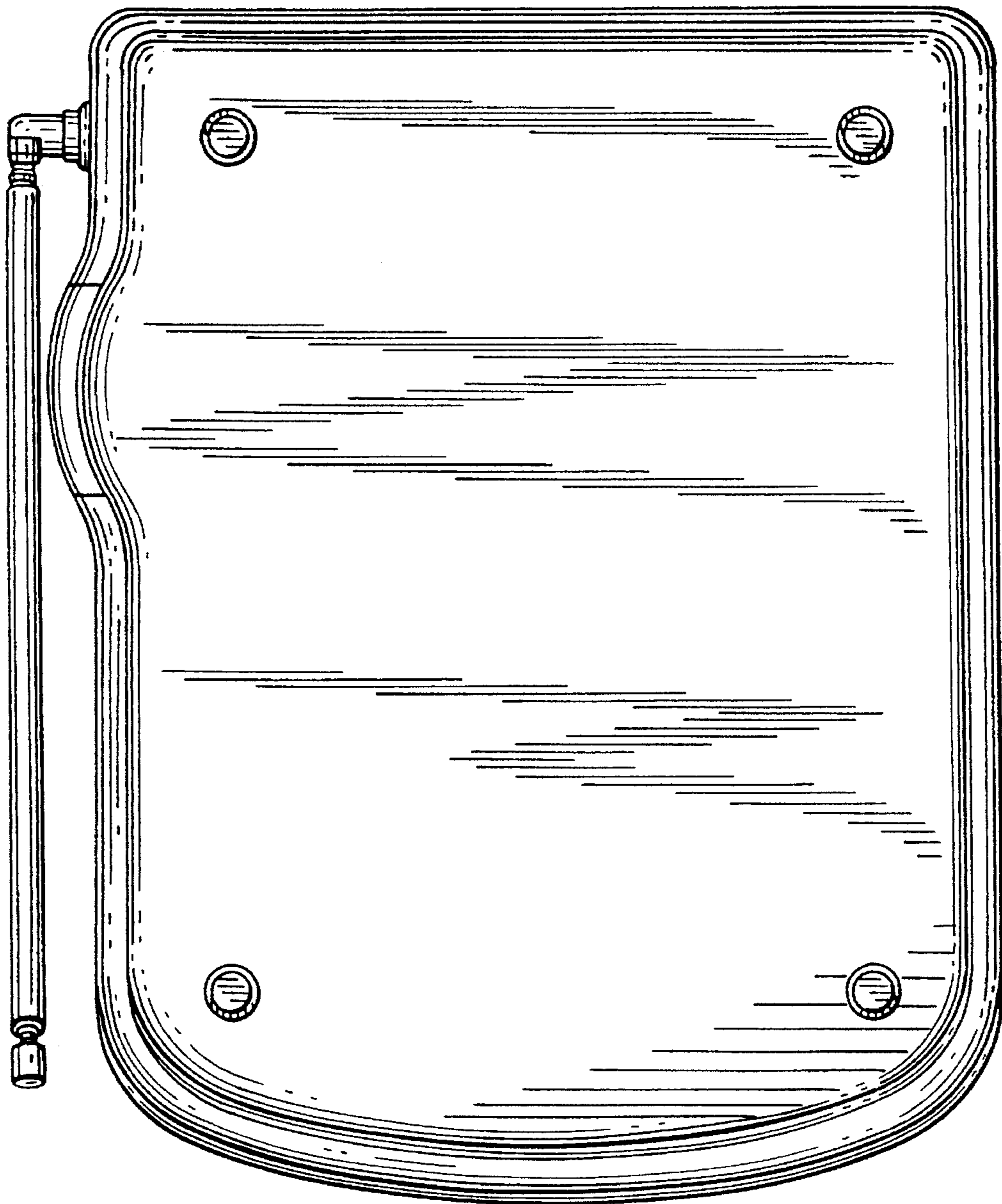


FIG. 7

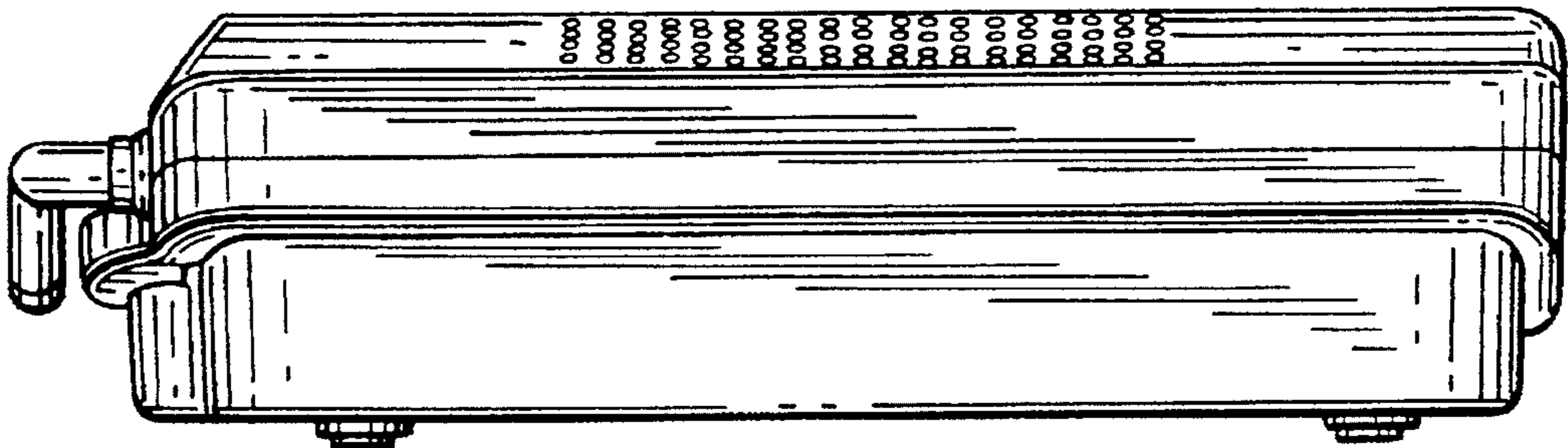


FIG. 5

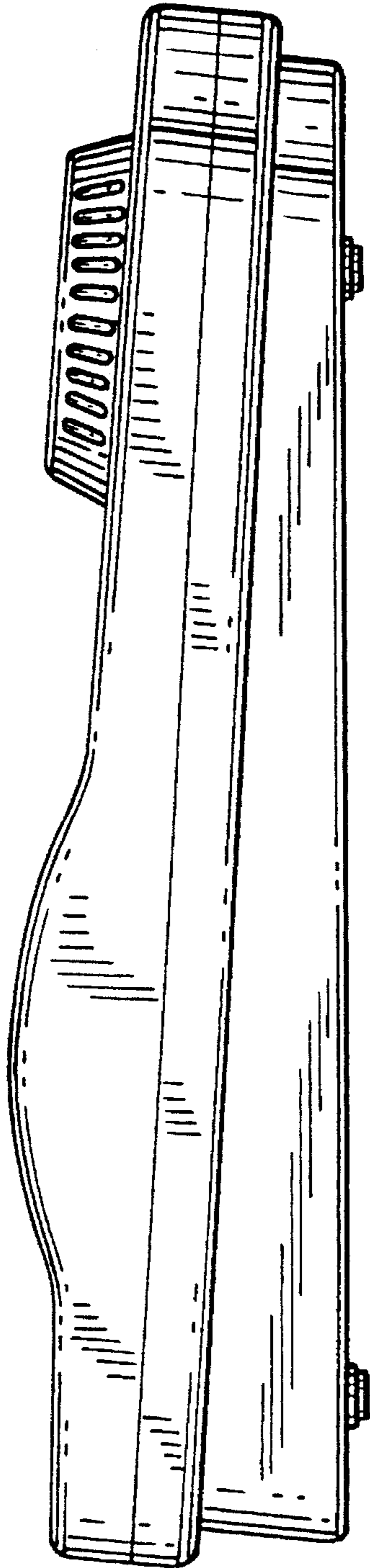


FIG. 6

