



US00D363273S

United States Patent [19]
Liu

[11] **Patent Number: Des. 363,273**

[45] **Date of Patent: **Oct. 17, 1995**

[54] **NOTEBOOK COMPUTER**

[75] Inventor: **Louis Liu**, Taipei, Taiwan

[73] Assignee: **Sunrex Technology Corp.**, Taichung, Taiwan

[**] Term: **14 Years**

[21] Appl. No.: **27,705**

[22] Filed: **Aug. 31, 1994**

[52] U.S. Cl. **D14/106**

[58] **Field of Search** D14/100, 101, D14/106, 113, 124-127, 115; D18/1, 7, 11, 12; 235/145 A, 145 R; 341/22, 23; 345/104, 156, 168, 173, 901-905, 87; 361/679-686; 364/708.1, 709.04, 709.12; 400/486, 489

[56] **References Cited**

U.S. PATENT DOCUMENTS

D. 343,931	2/1994	Spoeth	D14/106
D. 347,214	5/1994	You-Chi	D14/106
D. 350,121	8/1994	Kaneko	D14/106
D. 351,377	10/1994	Yu	D14/106
D. 356,069	3/1995	Lee	D14/106

OTHER PUBLICATIONS

Toshiba 1993 two page brochure for the T3400CT *Laptop Computer*.

Primary Examiner—Freda S. Nunn
Attorney, Agent, or Firm—Morton J. Rosenberg; David I. Klein

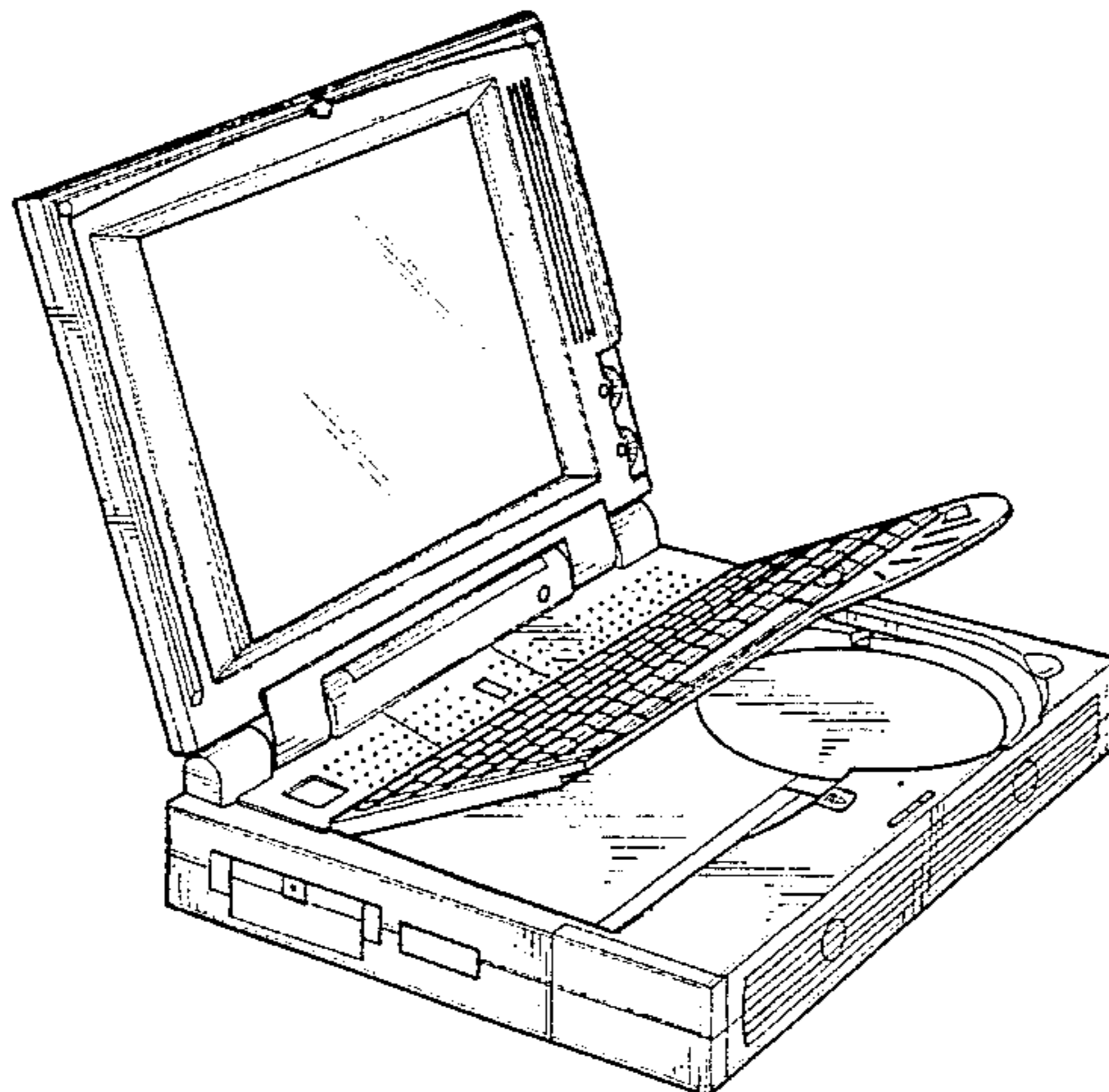
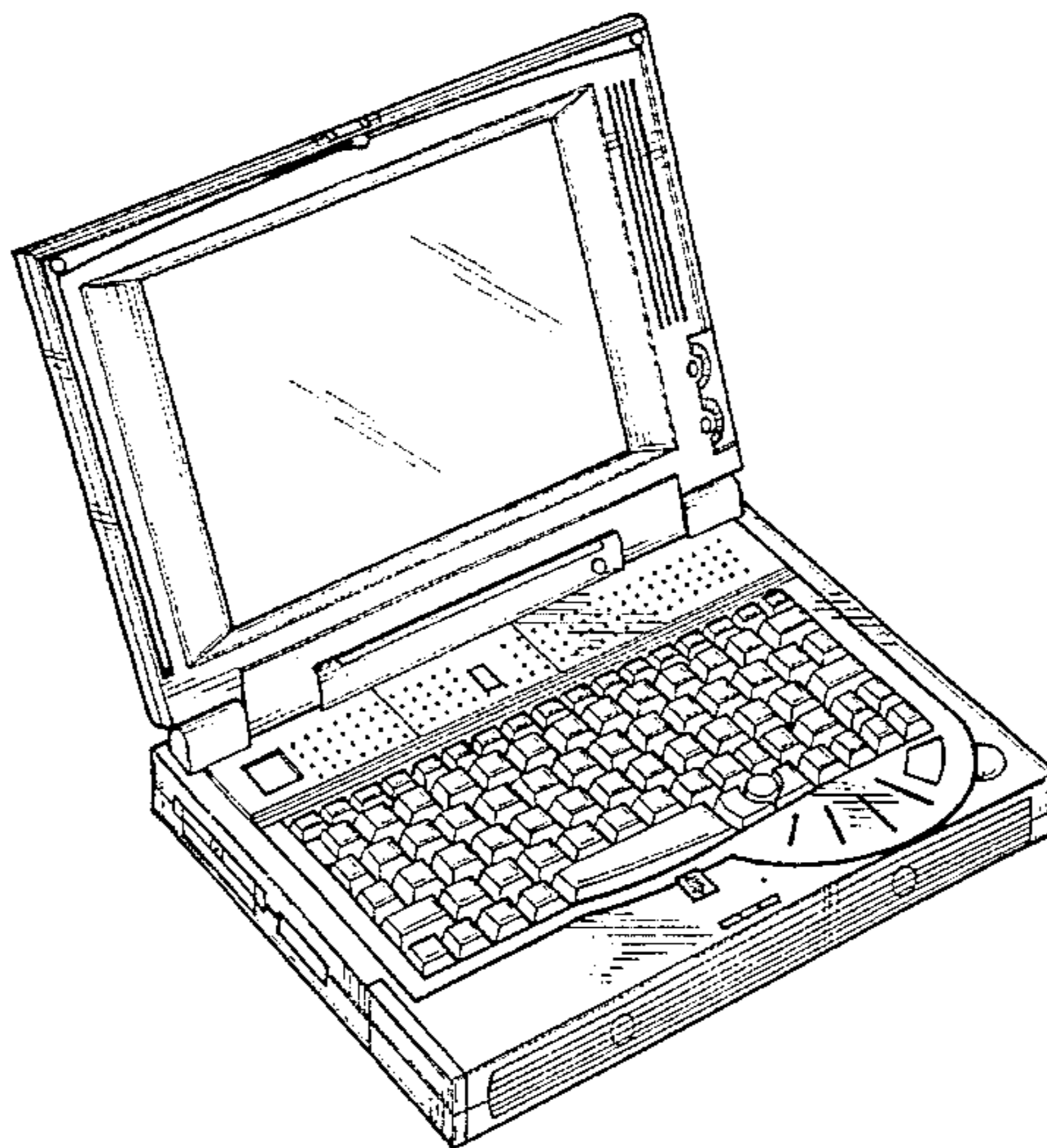
[57] **CLAIM**

The ornamental design for a notebook computer, as shown and described.

DESCRIPTION

FIG. 1 is a perspective view from the front-left-top side of a notebook computer showing my new design; FIG. 2 is a front elevational view thereof; FIG. 3 is a rear elevational view thereof; FIG. 4 is a left side elevational view thereof; FIG. 5 is a right side elevational view thereof; FIG. 6 is a top plan view thereof; FIG. 7 is a bottom plan view thereof; and, FIG. 8 is a perspective view of the notebook computer, where a keyboard is pivotally lifted up for illustrative purpose only.

1 Claim, 5 Drawing Sheets



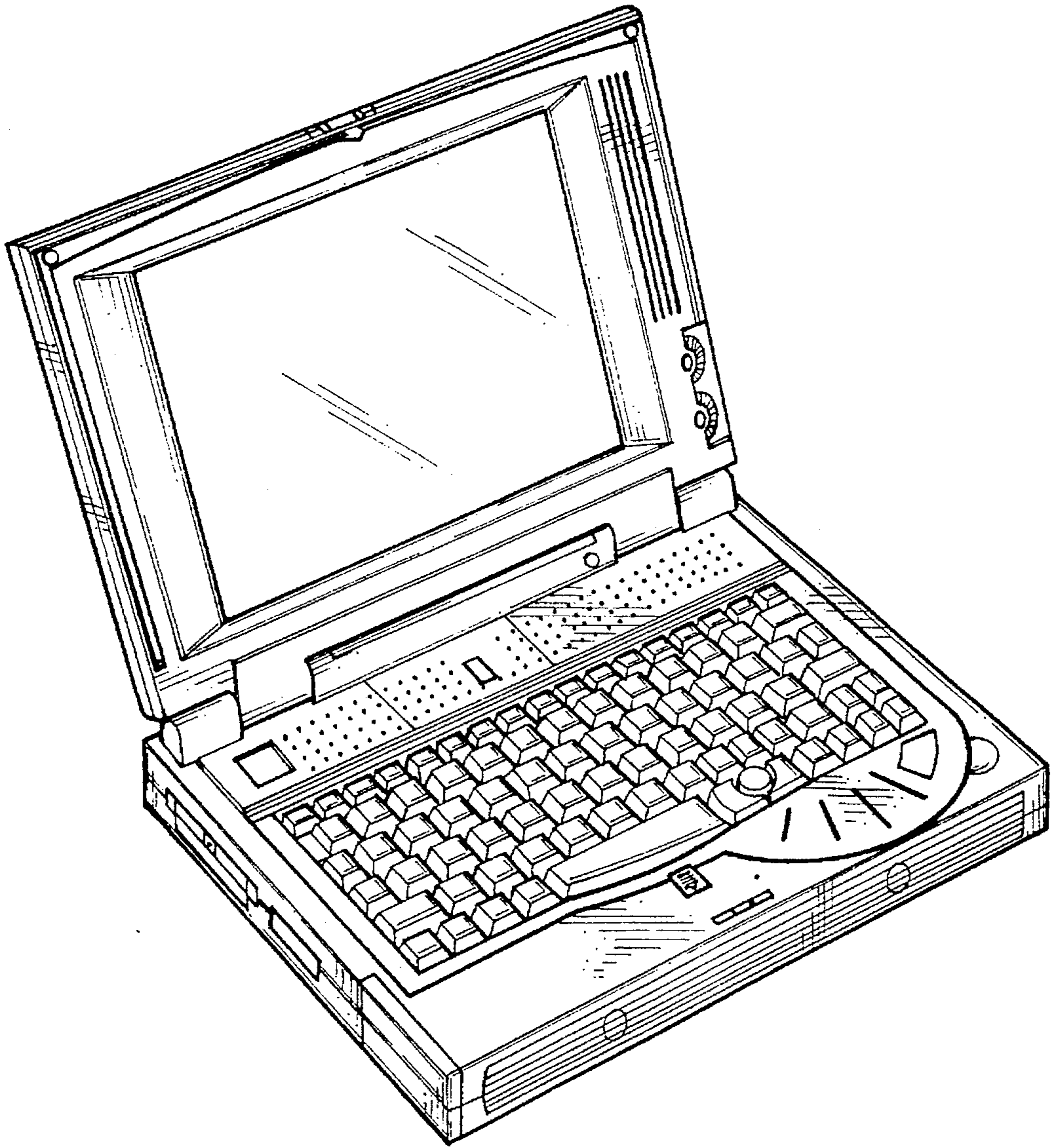


Fig. 1

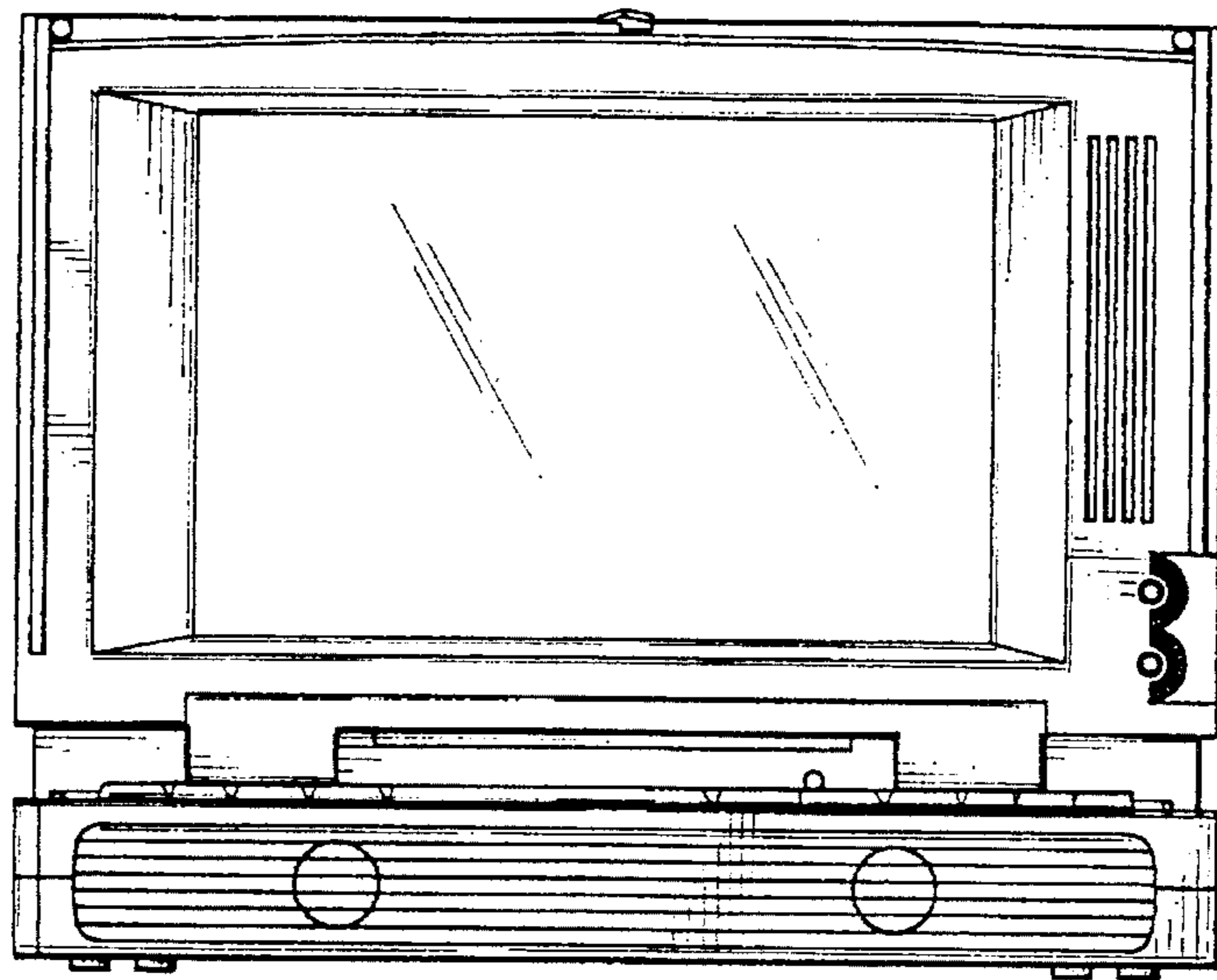


Fig. 2

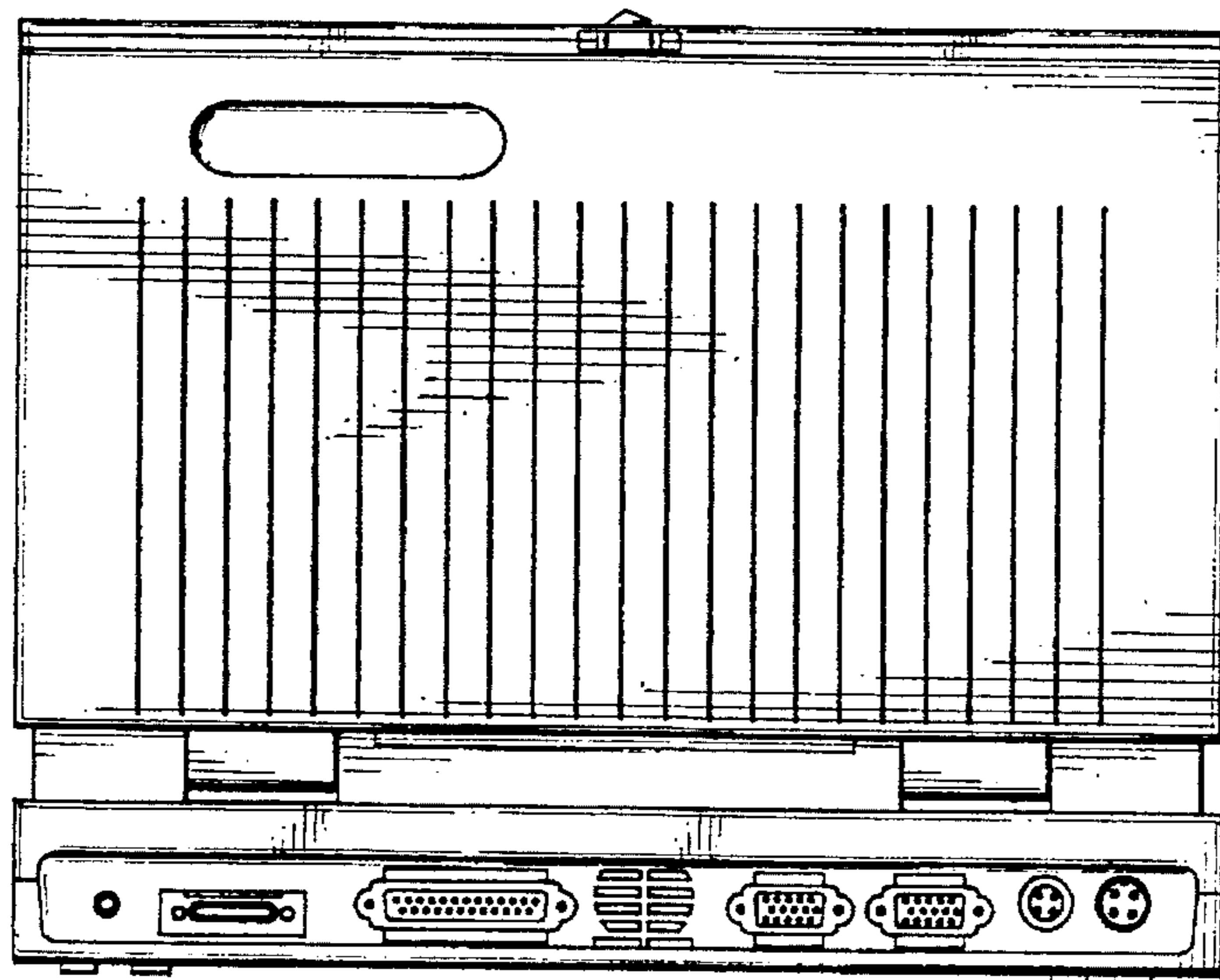


Fig. 3

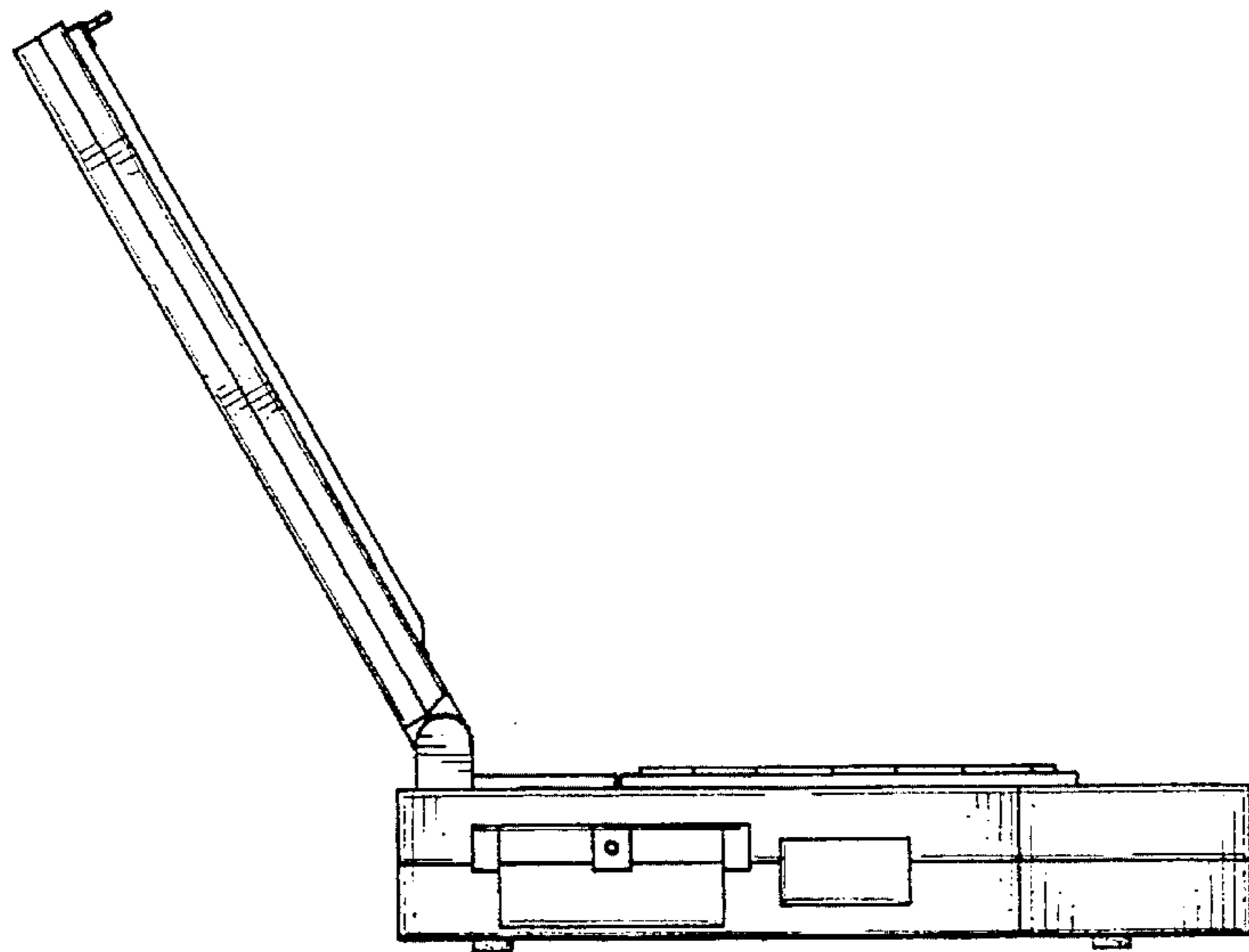


Fig. 4

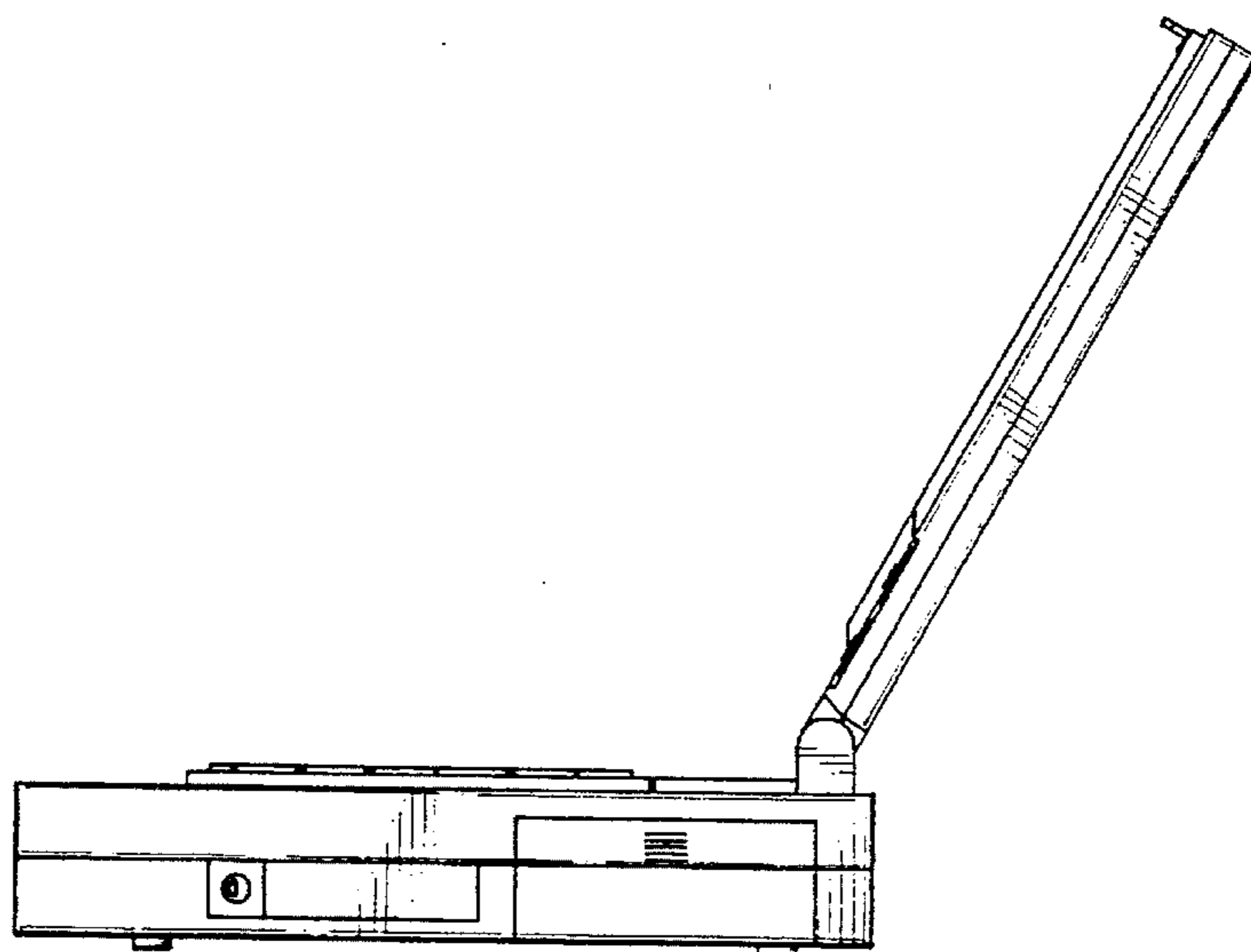


Fig. 5

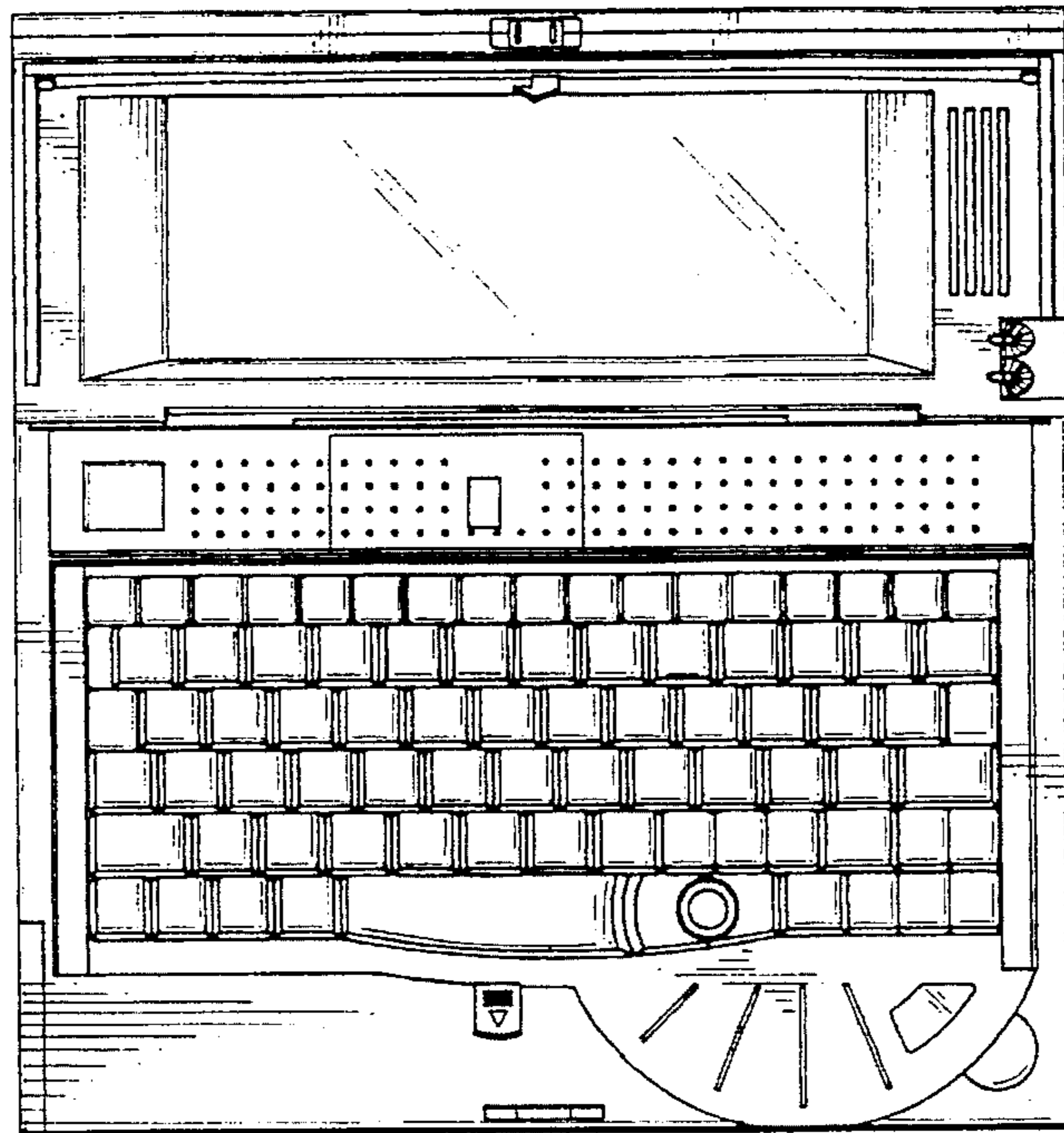


Fig. 6

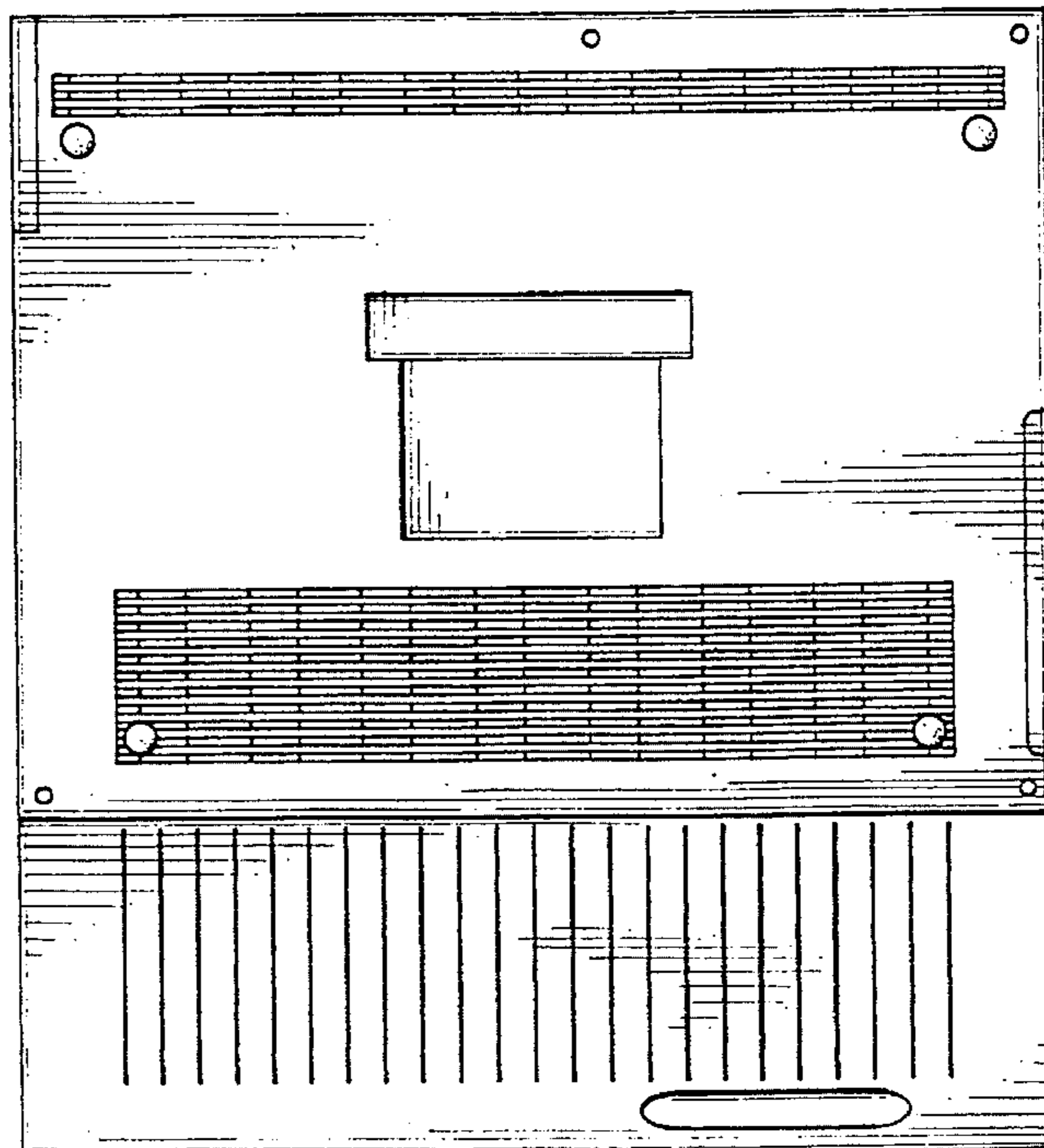


Fig. 7

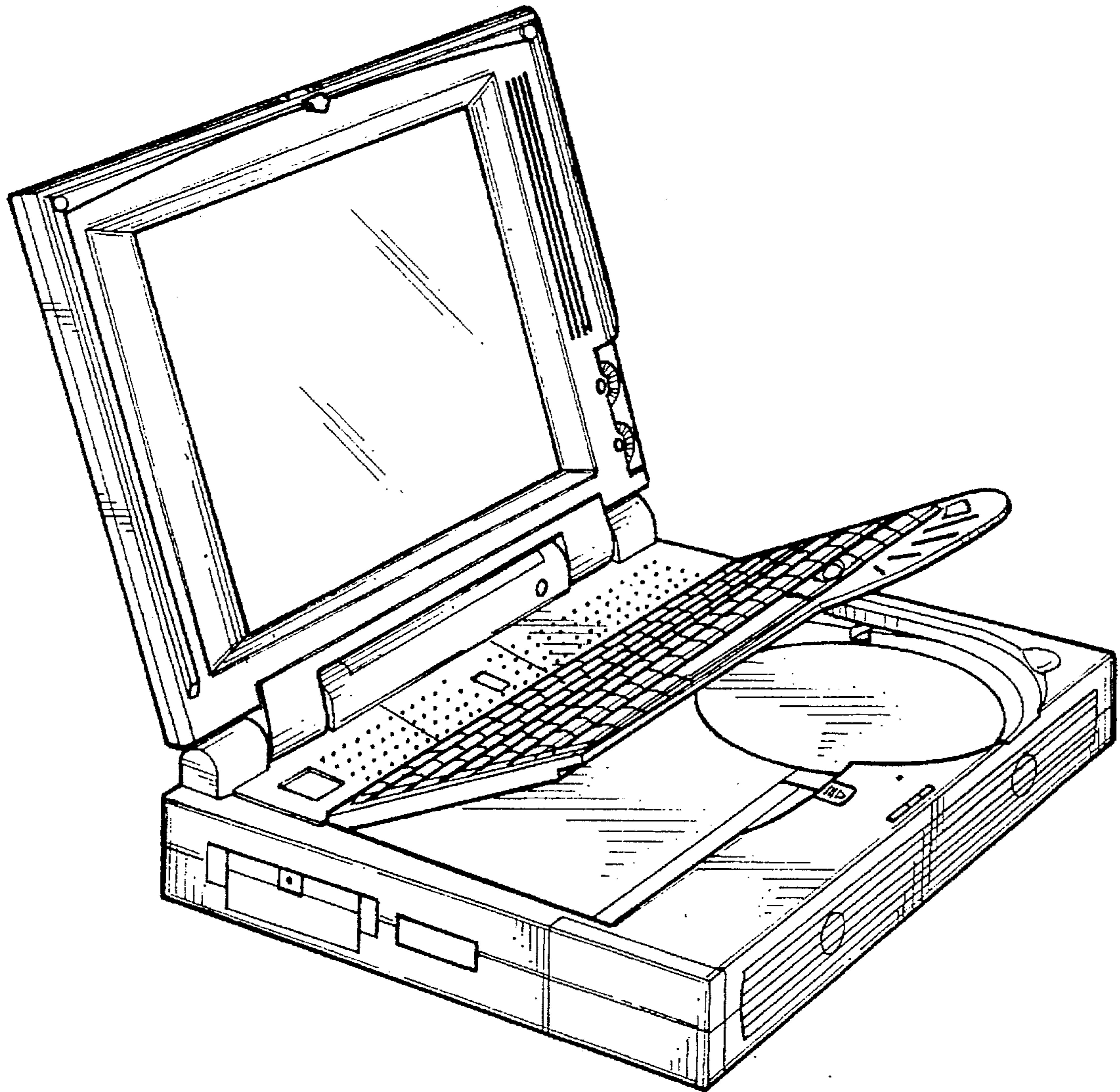


Fig. 8