



US00D363270S

# United States Patent [19]

[11] Patent Number: **Des. 363,270**

**Bluen et al.**

[45] Date of Patent: **\*\*Oct. 17, 1995**

## [54] ADAPTER PLUG

## FOREIGN PATENT DOCUMENTS

[75] Inventors: **Jeff Bluen**, Studio City; **Larry Shultz**, Beverly Hills, both of Calif.

432144 6/1991 European Pat. Off. .... 439/638  
210779 8/1990 Japan ..... 439/639

[73] Assignee: **Aura Systems, Inc.**, El Segundo, Calif.

*Primary Examiner*—Joel Sincavage  
*Attorney, Agent, or Firm*—Anthony T. Cascio; Lisa A. Merkadeau

[\*\*] Term: **14 Years**

## [57] CLAIM

[21] Appl. No.: **25,862**

The ornamental design for a adapter plug, as shown and described.

[22] Filed: **Jun. 22, 1994**

[52] U.S. Cl. .... **D13/146**

## DESCRIPTION

[58] Field of Search ..... D13/146, 147;  
439/638, 639, 686, 701

FIG. 1 is a perspective view of the front, top and left of the adapter plug;  
FIG. 2 is a front elevational view of the adapter plug;  
FIG. 3 is a bottom plan view of the adapter plug;  
FIG. 4 is a top plan view of the adapter plug;  
FIG. 5 is a rear elevational view of the adapter plug;  
FIG. 6 is a left side elevational view of the adapter plug; and,  
FIG. 7 is a right side elevational view of the adapter plug.

## [56] References Cited

### U.S. PATENT DOCUMENTS

D. 252,267	7/1979	Jonsson .....	D13/147
D. 260,879	9/1981	Avramovich .....	D13/146
D. 310,513	9/1990	Tajima .....	D13/146
D. 340,241	10/1993	Nakamura .....	D13/146
D. 341,817	11/1993	Huang .....	D13/147

**1 Claim, 4 Drawing Sheets**

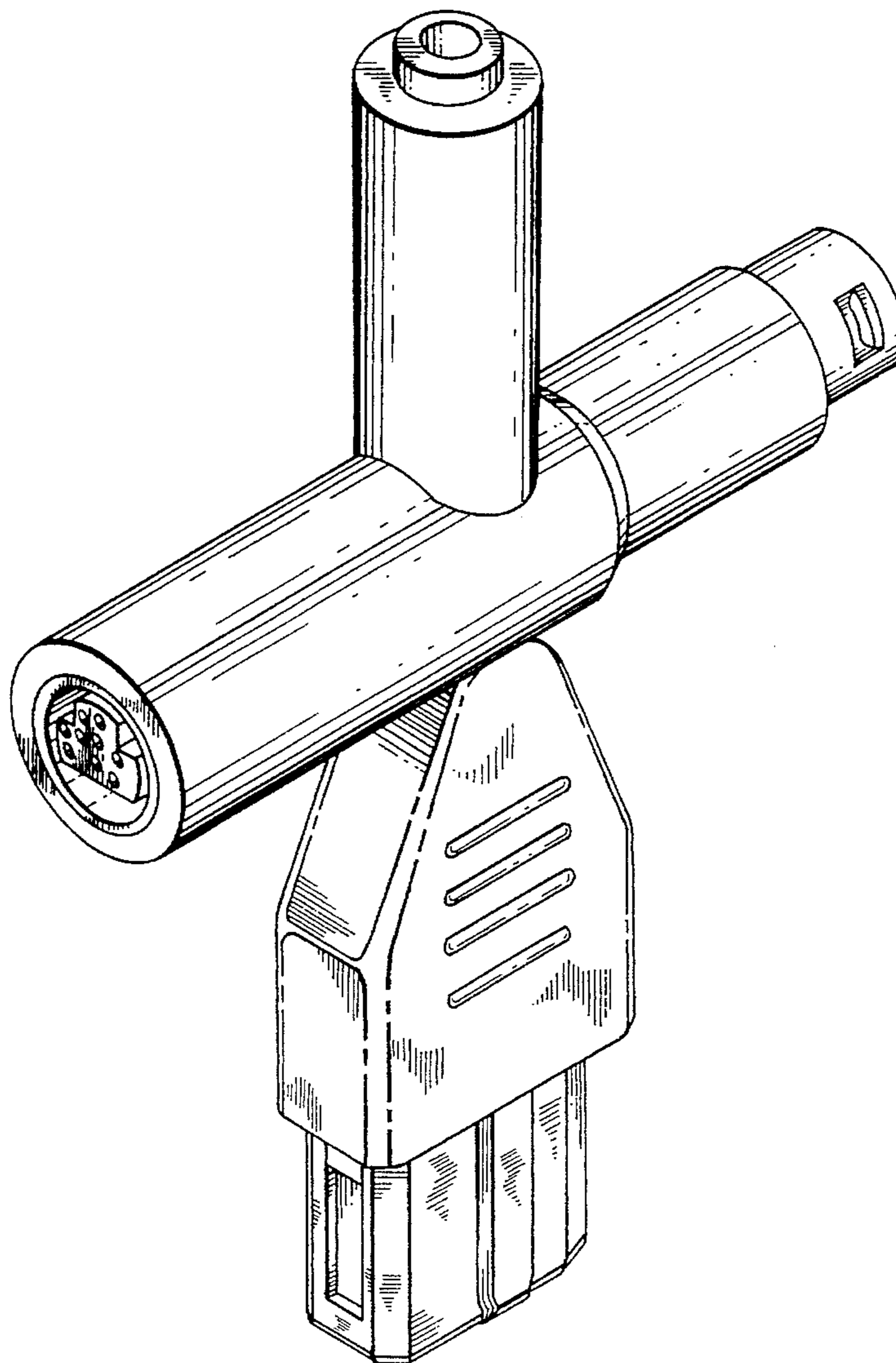


FIG. 1

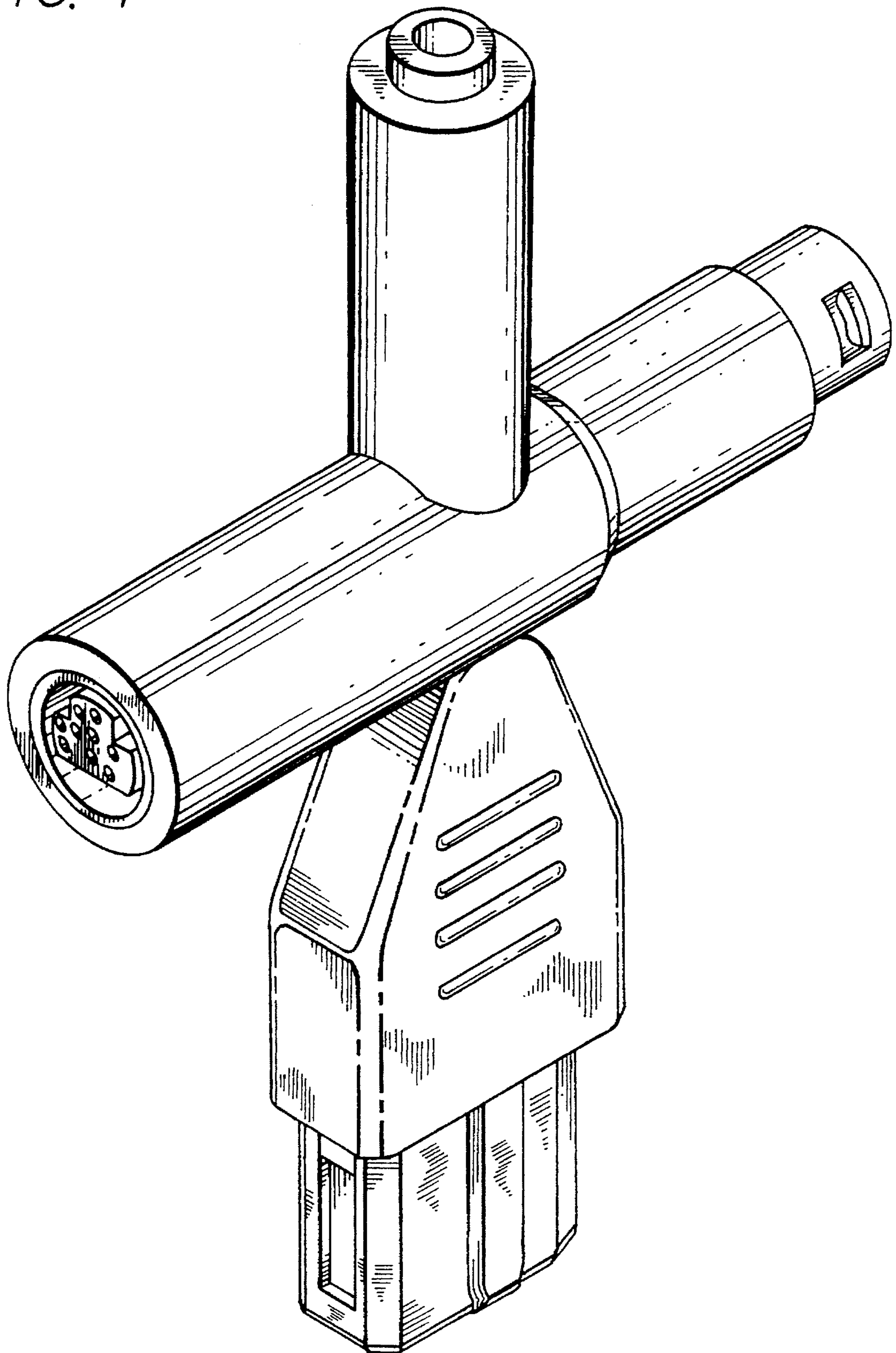


FIG. 2

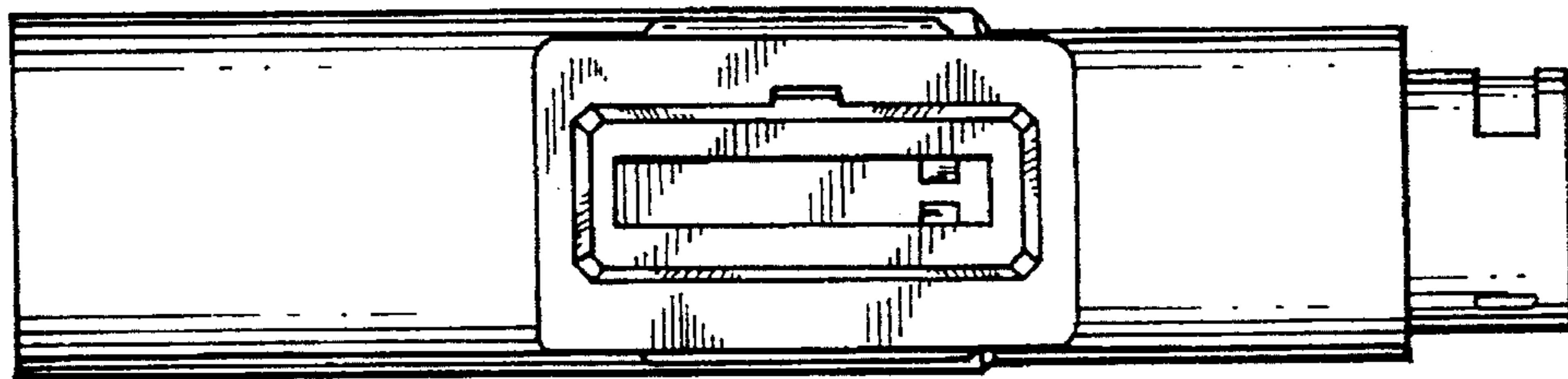
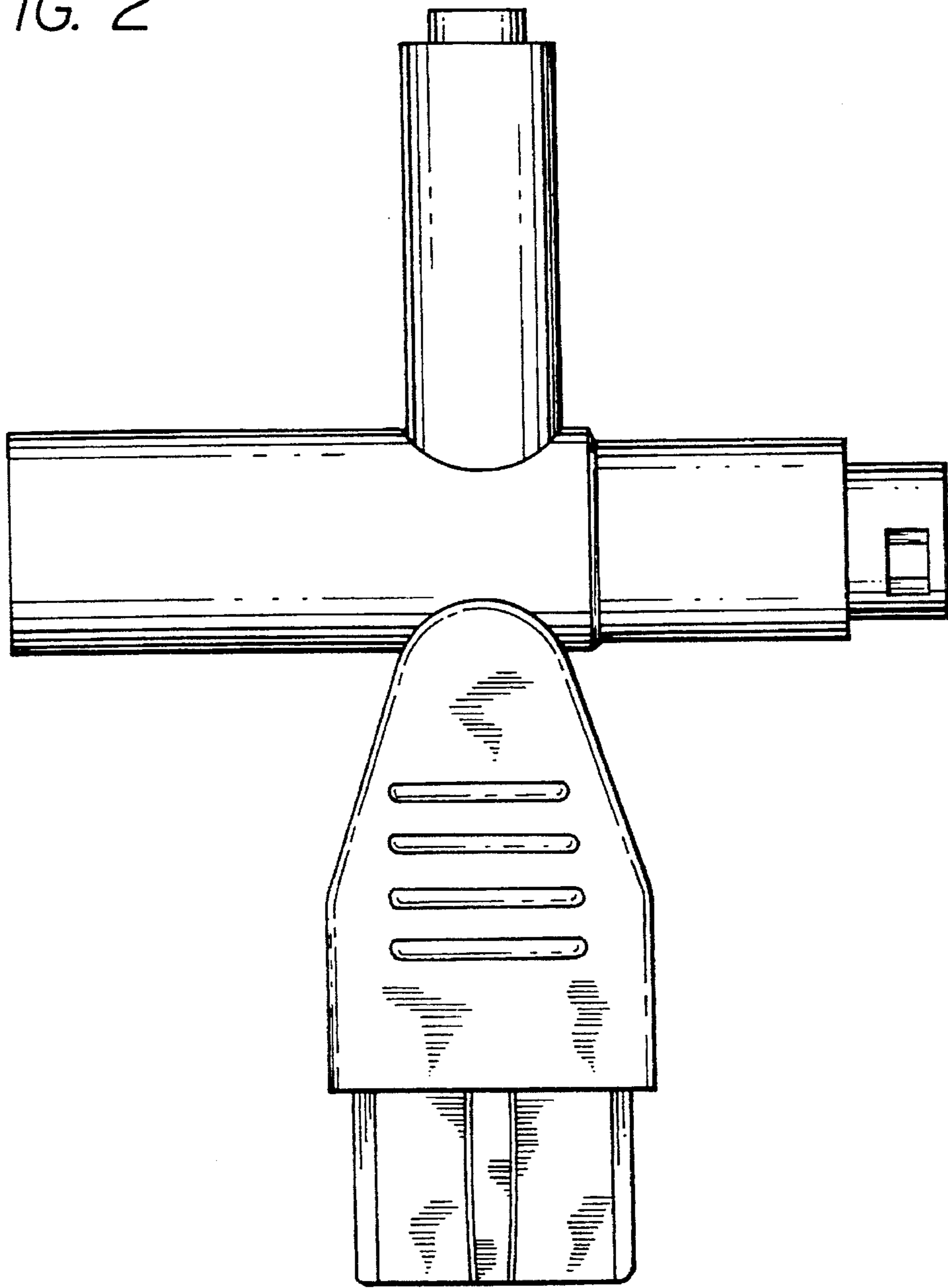


FIG. 3

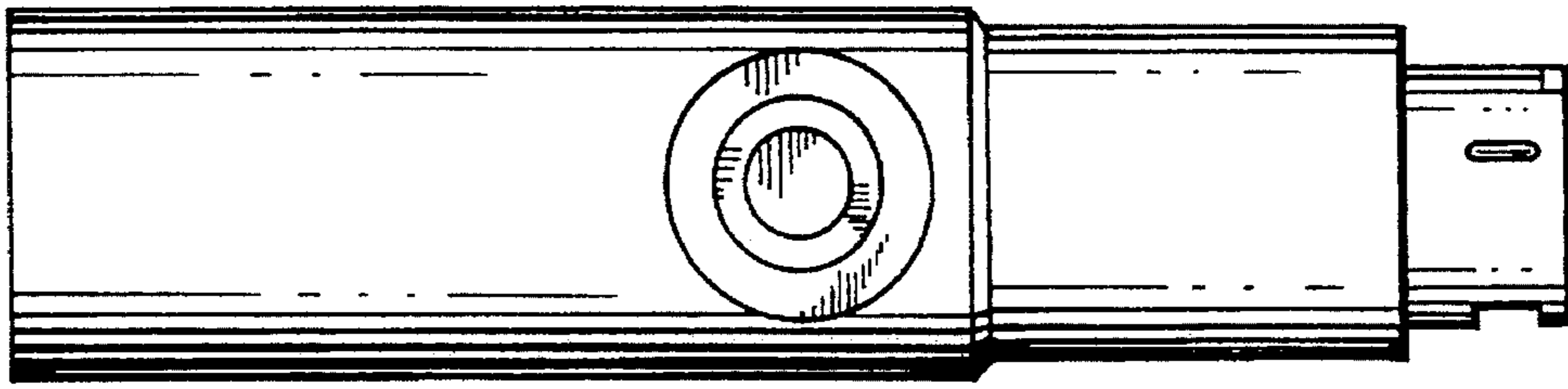


FIG. 4

FIG. 5

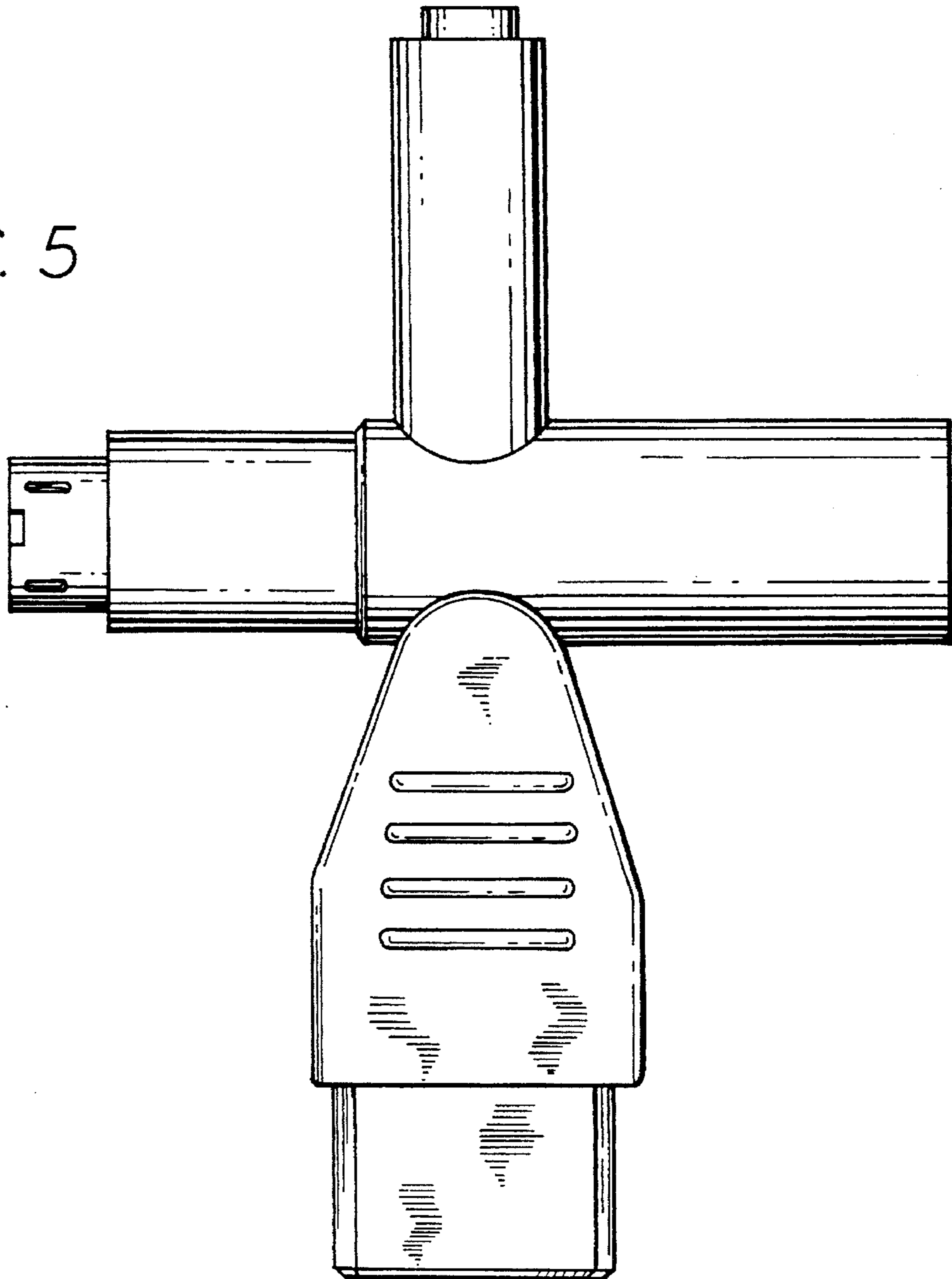




FIG. 6

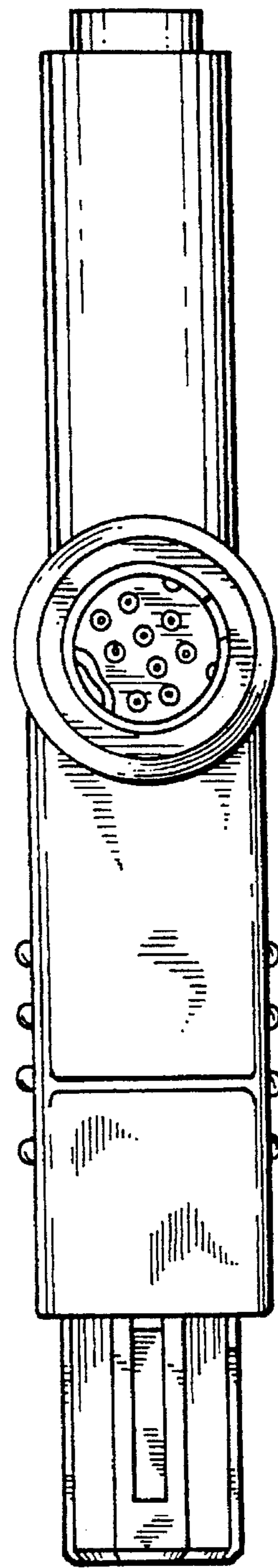
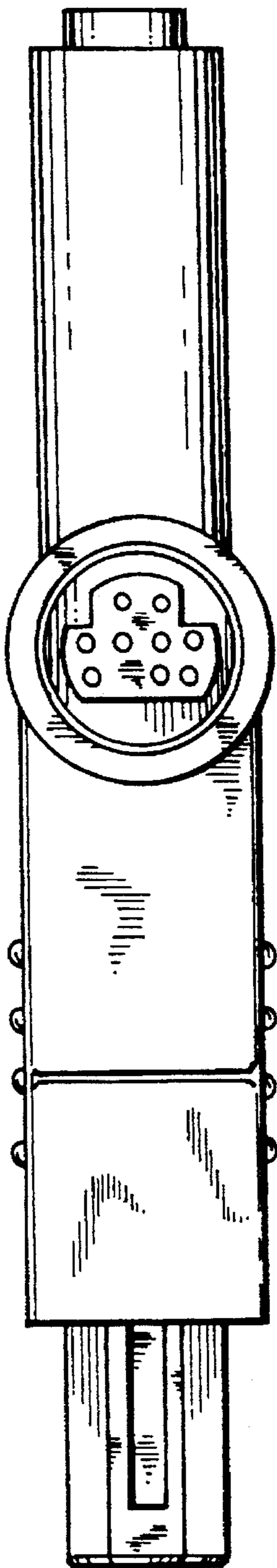


FIG. 7