



US00D363267S

United States Patent [19]

Gustavsen

[11] Patent Number: **Des. 363,267**

[45] Date of Patent: ****Oct. 17, 1995**

[54] **FRONT ACCESSORY RACK FOR RECREATIONAL VEHICLE**

4,655,309 4/1987 Imaizumi et al. 180/215
4,826,057 5/1989 Yamoda 224/42.31

[76] Inventor: **Gilbert E. Gustavsen**, 1025 W. Mingus Rd., Phoenix, Ariz. 85027

Primary Examiner—A. Hugo Word
Assistant Examiner—M. Brown
Attorney, Agent, or Firm—Martin L. Stoneman

[**] Term: **14 Years**

[57] CLAIM

[21] Appl. No.: **22,907**

The ornamental design for a front accessory rack for recreational vehicle, as shown and described.

[22] Filed: **May 16, 1994**

[52] U.S. Cl. **D12/407**; D12/107

DESCRIPTION

[58] **Field of Search** D12/407, 408, D12/107, 7, 85; 180/215; 280/288.4, 304.3; 224/32 A, 32 R, 35, 39

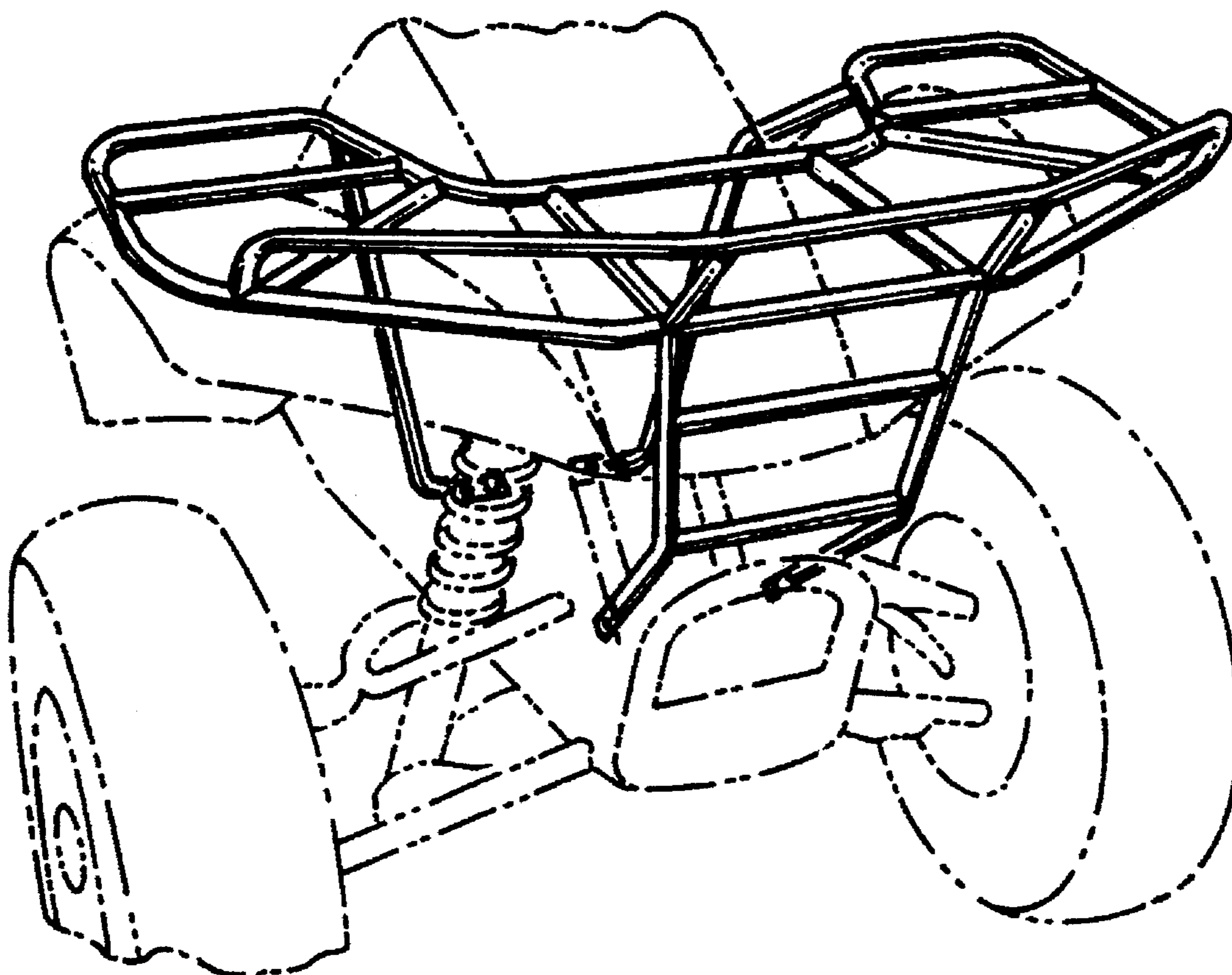
FIG. 1 is perspective view of a front accessory rack for recreational vehicle showing my new design, it being understood that the broken lines are for illustrative purposes only and form no part of the claimed design; FIG. 2 is a front elevational view thereof; FIG. 3 is a rear elevational view thereof; FIG. 4 is a right side elevational view thereof; FIG. 5 is a left side elevational view thereof; FIG. 6 is a top plan view thereof; and, FIG. 7 is a bottom plan view thereof.

[56] References Cited

U.S. PATENT DOCUMENTS

D. 271,389	11/1983	Turkington et al.	D12/407
D. 276,330	11/1984	Stahel	D12/407
D. 289,986	5/1987	Ooba et al.	D12/107
D. 298,811	12/1988	Morita	D12/107
4,176,771	12/1979	Dubroc, Sr.	280/304.3
4,247,030	1/1981	Amacker	D12/85

1 Claim, 1 Drawing Sheet



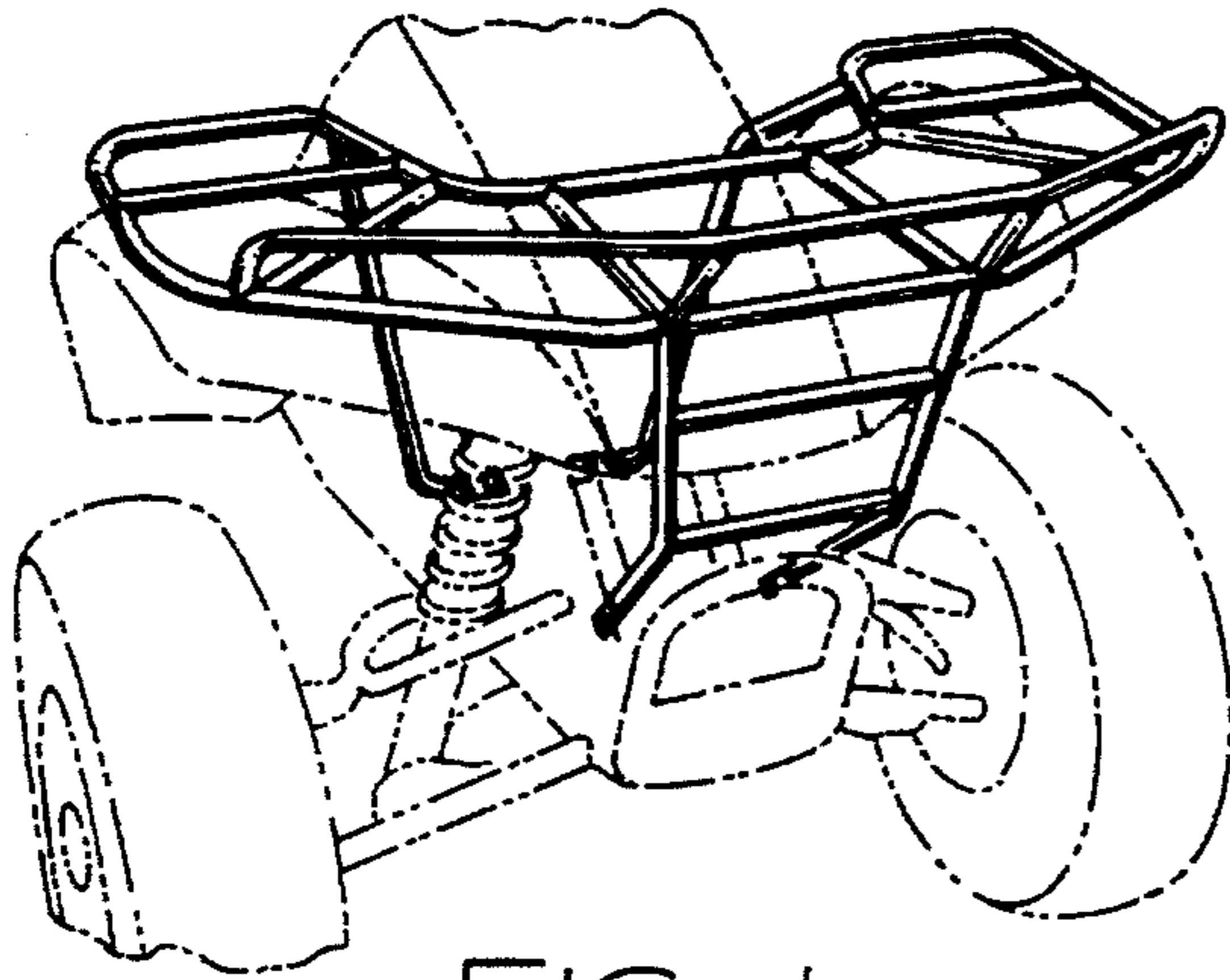


FIG. 1

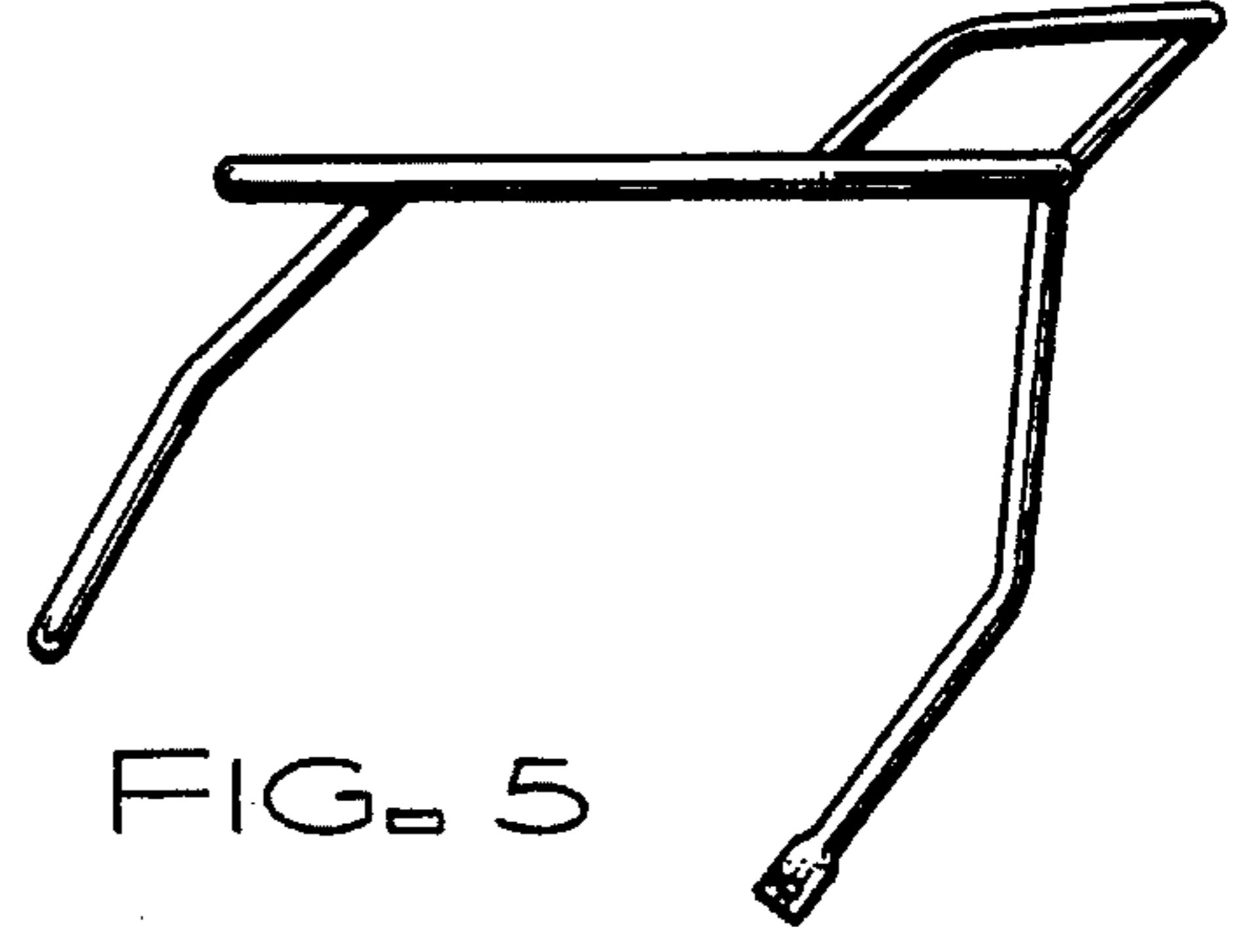


FIG. 5

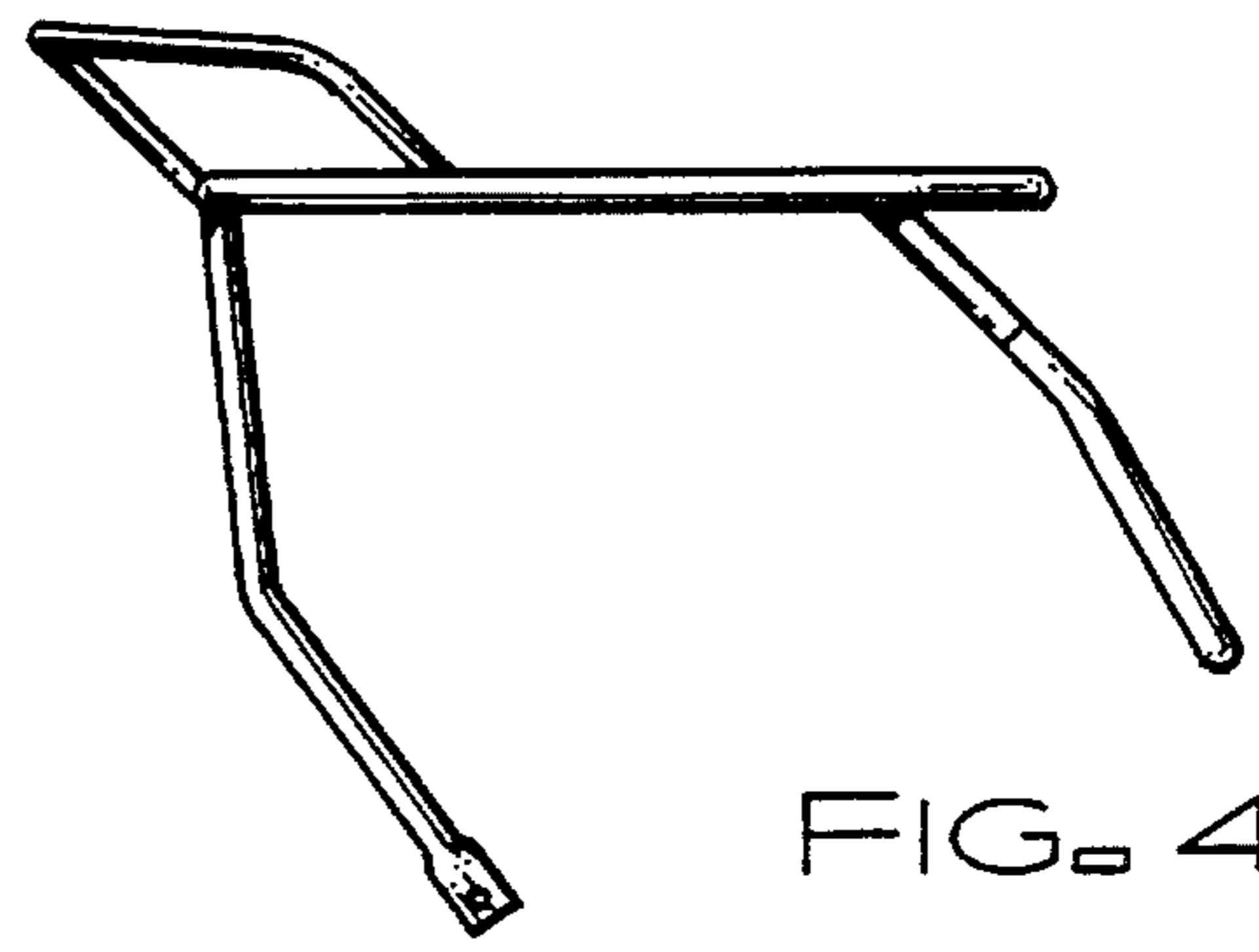


FIG. 4

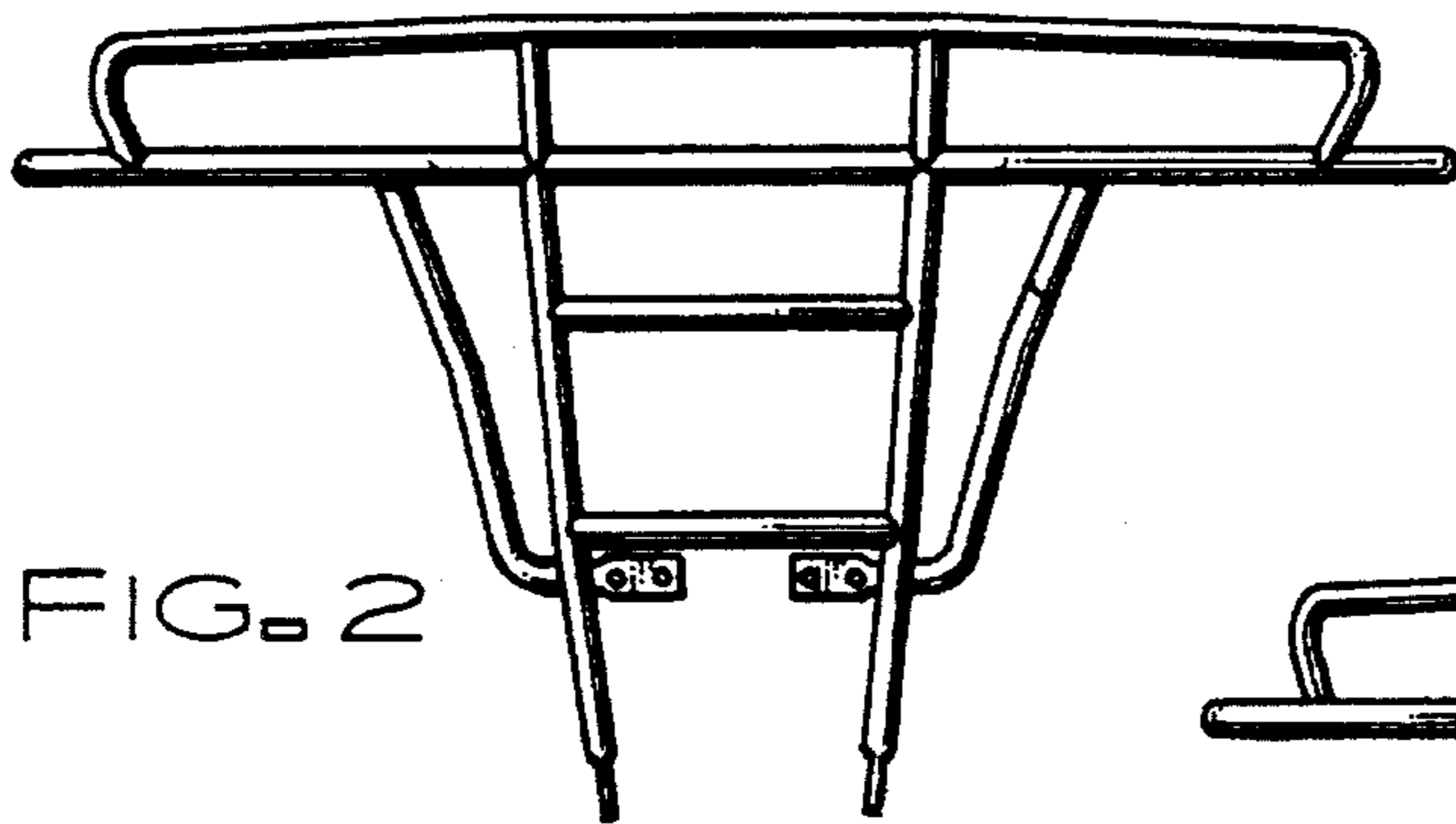


FIG. 2

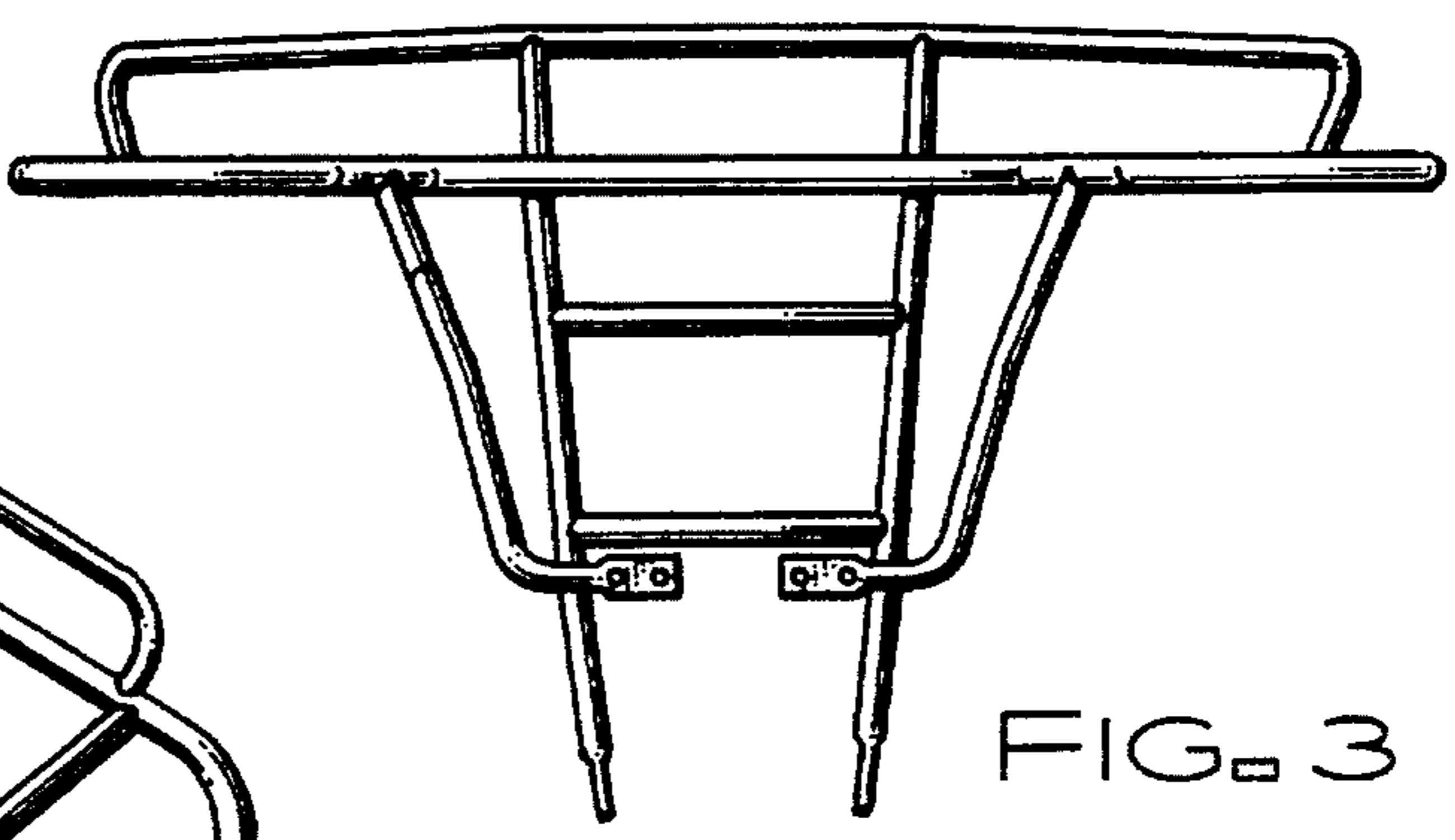


FIG. 3

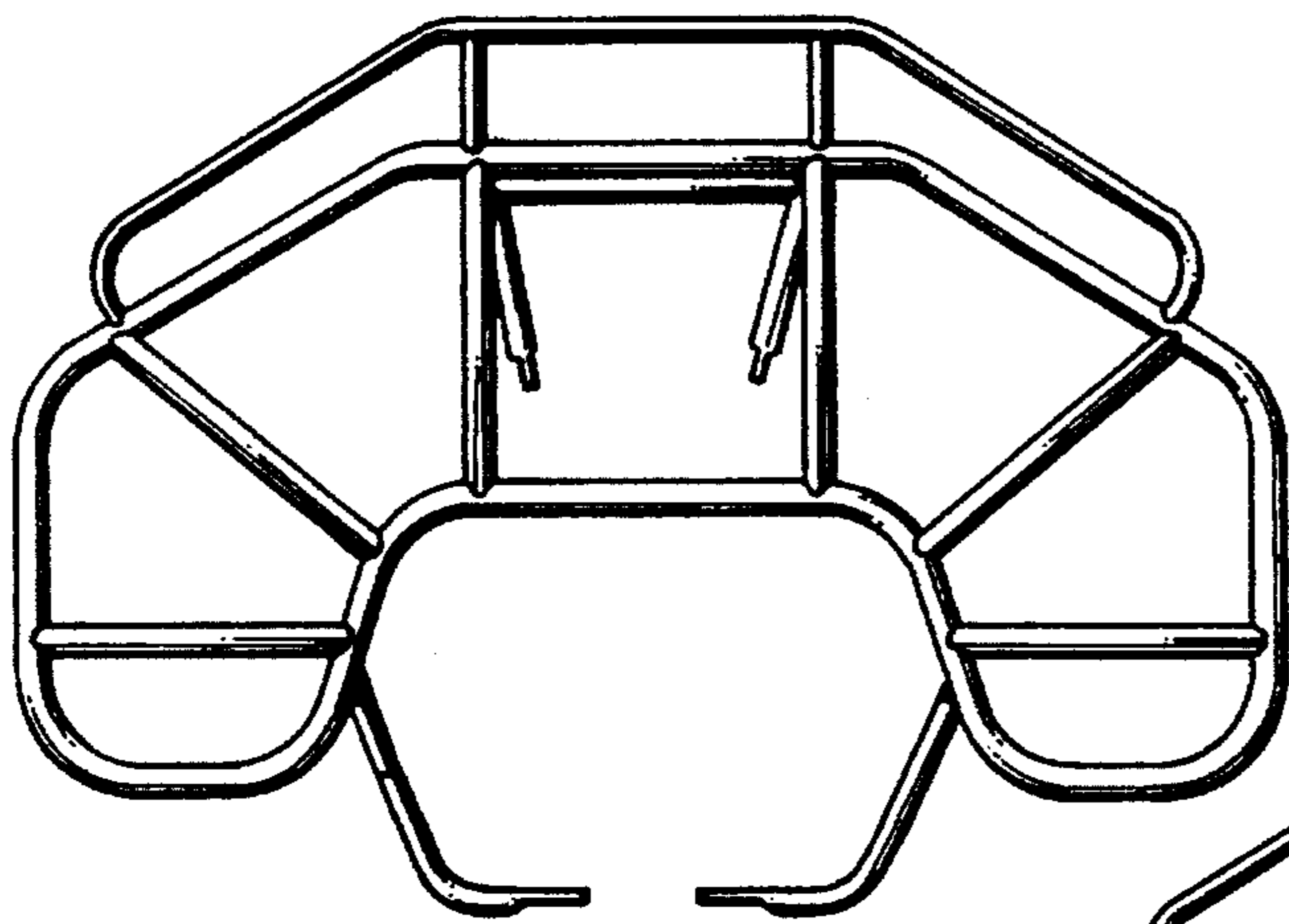


FIG. 6

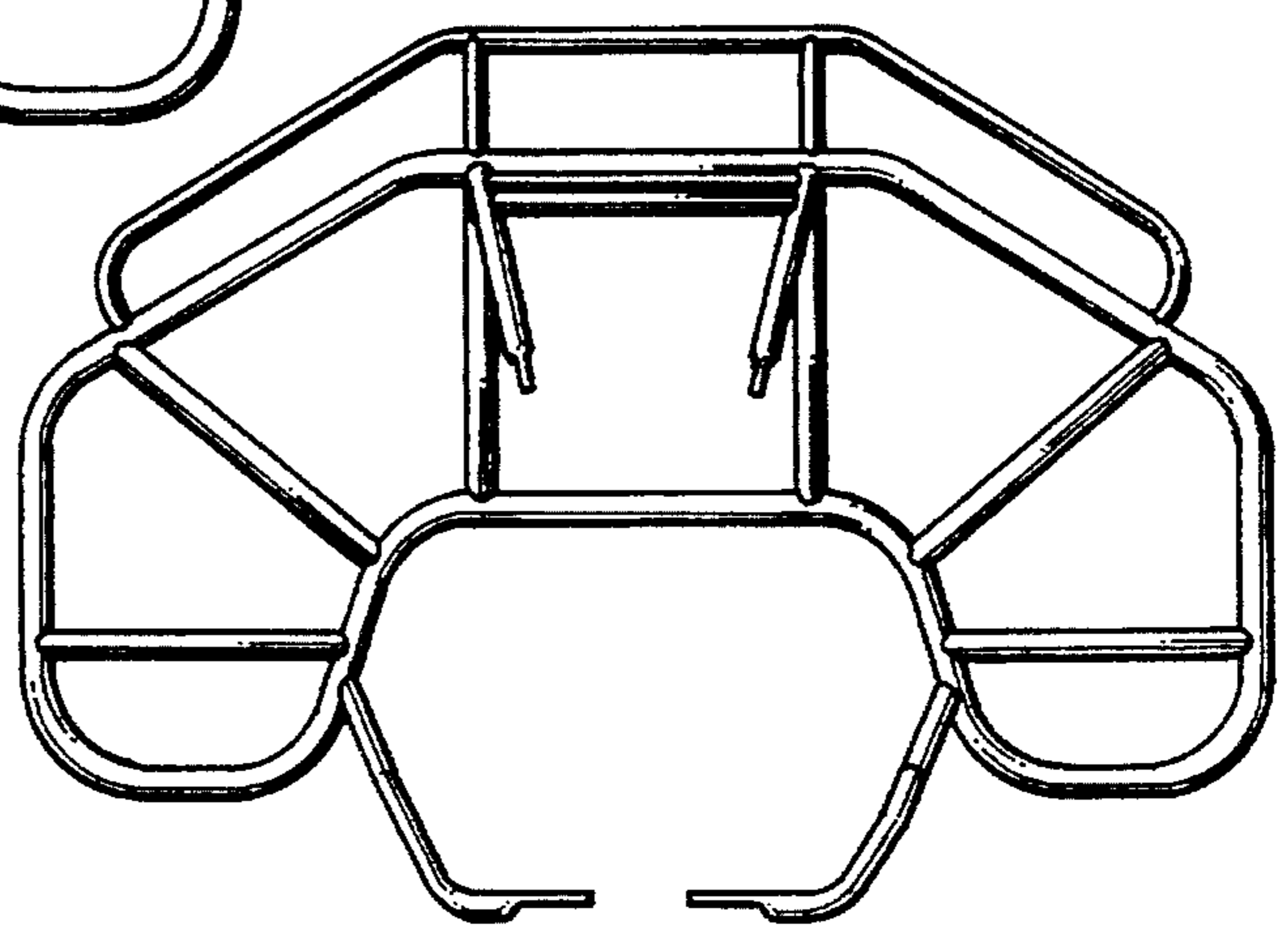


FIG. 7