



US00D363263S

# United States Patent [19]

[11] Patent Number: **Des. 363,263**

White

[45] Date of Patent: **\*\*Oct. 17, 1995**

[54] **VANITY MIRROR AND COVER FOR A VEHICULAR SUN VISOR**

4,948,240	8/1990	Zipperle .....	350/606
4,953,064	8/1990	Viertel et al. ....	362/74
4,961,608	10/1990	Nash .....	296/97.5
5,054,839	10/1991	White et al. ....	296/97.1
5,061,003	10/1991	Gabas .....	296/97.1
5,143,678	9/1992	Prillard .....	264/255
5,188,446	2/1993	Miller .....	362/83.1
5,205,639	4/1993	White et al. ....	362/137
5,301,994	4/1995	Wilson .....	296/97.5

[75] Inventor: **Jay R. White**, Bloomfield Hills, Mich.

[73] Assignee: **Jay Roberts Company**, Bloomfield Hills, Mich.

[\*\*] Term: **14 Years**

### FOREIGN PATENT DOCUMENTS

[21] Appl. No.: **30,400**

2429685	1/1980	France .....	296/97.5
2483858	12/1981	France .....	296/97.5
3324169	1/1985	Germany .....	296/97.5

[22] Filed: **Oct. 28, 1994**

### Related U.S. Application Data

[62] Division of Ser. No. 16,124, Dec. 8, 1993, Pat. No. Des. 356,771.

[52] U.S. Cl. .... **D12/191**

[58] Field of Search ..... D12/191, 417; 296/97.1, 97.2, 97.5; 224/312; 359/844, 850

Primary Examiner—James M. Gandy

Attorney, Agent, or Firm—Gifford, Krass, Groh, Sprinkle, Patmore, Anderson & Citkowski

### [57] CLAIM

The ornamental design of a vanity mirror and cover for a vehicular sun visor, as shown and described.

### DESCRIPTION

FIG. 1 is a perspective view of a vanity mirror and cover for a vehicular sun visor showing my new design with the cover in closed condition concealing the vanity mirror; and, FIG. 2 is a perspective view thereof with the cover in open condition exposing the vanity mirror.

The broken line showing of the vehicular sun visor shown in the drawing is for illustrative purposes only and forms no part of the claimed design.

**1 Claim, 1 Drawing Sheet**

### [56] References Cited

#### U.S. PATENT DOCUMENTS

4,511,954	4/1985	Marcus et al. ....	362/275
4,564,234	1/1986	Kaiser et al. ....	296/97 H
4,648,011	3/1987	Boote et al. ....	362/135
4,653,798	3/1987	White et al. ....	296/97 H
4,791,537	12/1988	Fisher et al. ....	362/135
4,809,140	2/1989	Jonsas .....	362/74
4,858,983	8/1989	White et al. ....	296/97.13
4,866,579	9/1989	Miller et al. ....	362/144
4,922,391	5/1990	Dykstra .....	362/144

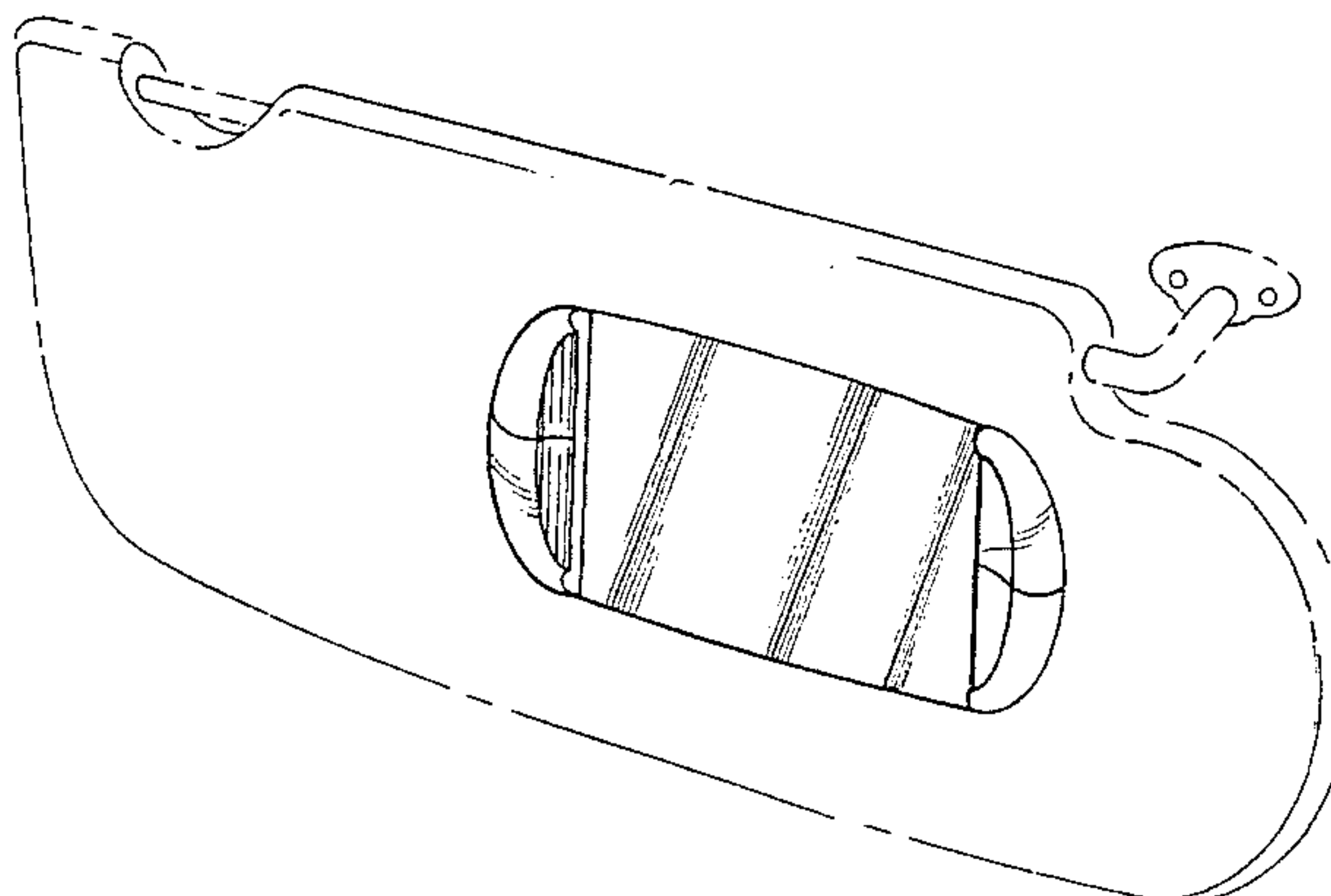
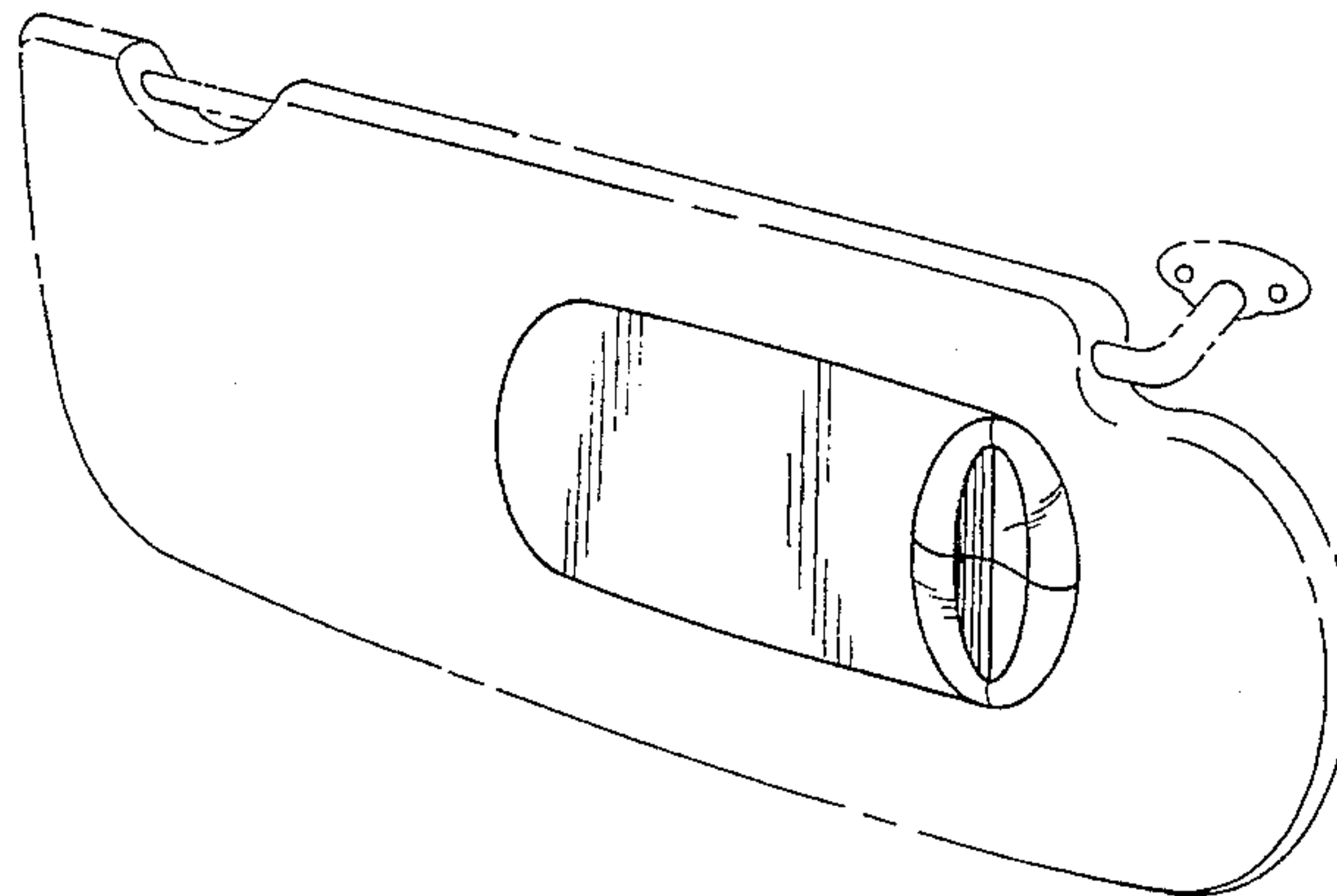


Fig-1

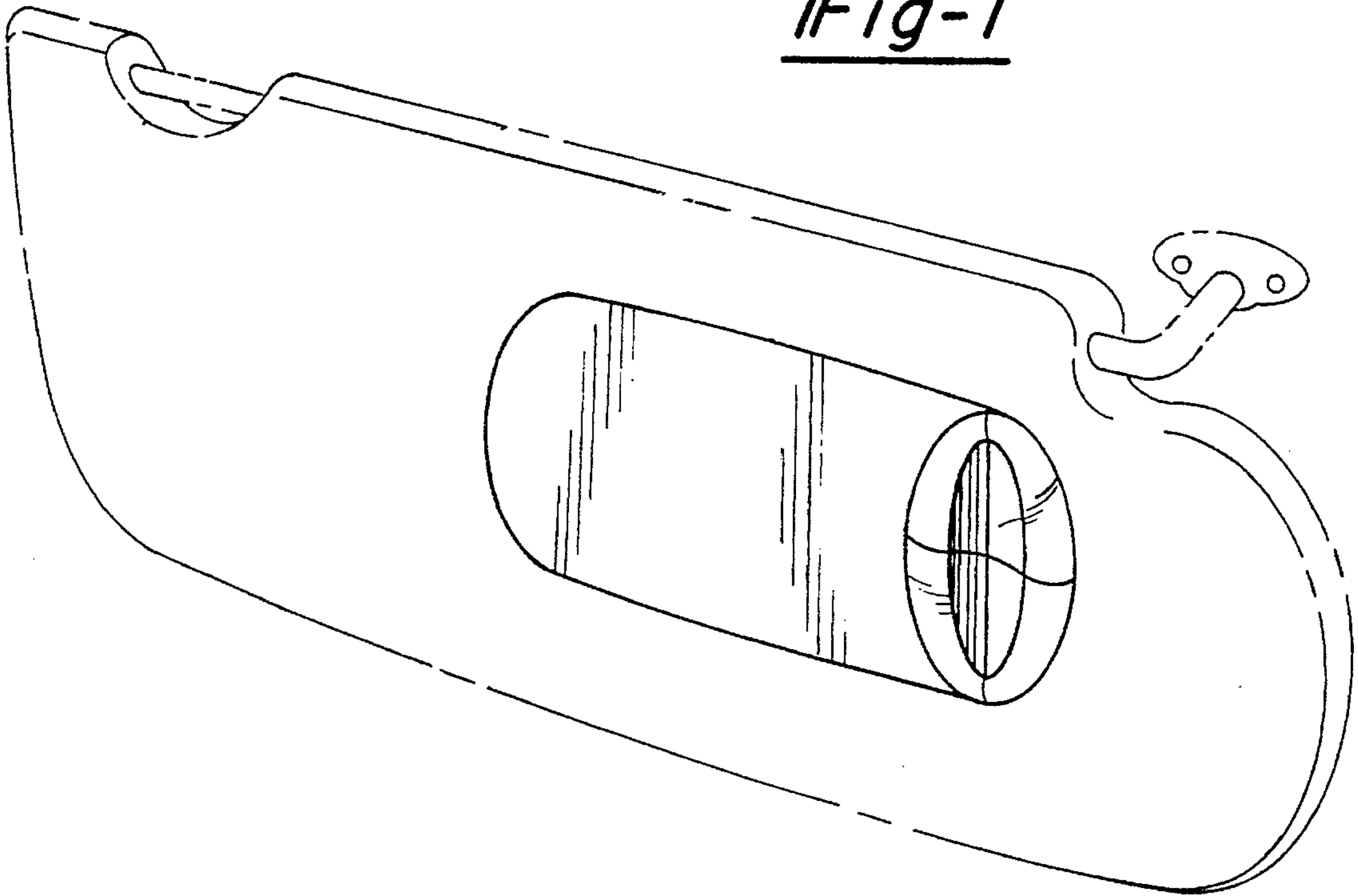


Fig-2

