



US00D363255S

# United States Patent [19]

[11] Patent Number: **Des. 363,255**

Helms et al.

[45] Date of Patent: **\*\*Oct. 17, 1995**

[54] SAUCER BOTTOM FOR FLOWER POTS

3,142,133 7/1964 Brooks ..... D11/152 X

[76] Inventors: **Rebecca D. Helms; Michael G. Helms**,  
both of 35717 Helms Dr., Jefferson,  
Oreg. 97352

*Primary Examiner*—Alan P. Douglas  
*Assistant Examiner*—Cathron B. Matta  
*Attorney, Agent, or Firm*—William D. Haffner

[\*\*] Term: **14 Years**

[57] **CLAIM**

[21] Appl. No.: **20,884**

The ornamental design for a saucer bottom for flower pots,  
as shown.

[22] Filed: **Mar. 23, 1994**

[52] U.S. Cl. .... **D11/164**

### DESCRIPTION

[58] Field of Search ..... D11/164, 152;  
47/56, 84 C, 87; D7/550, 552, 553

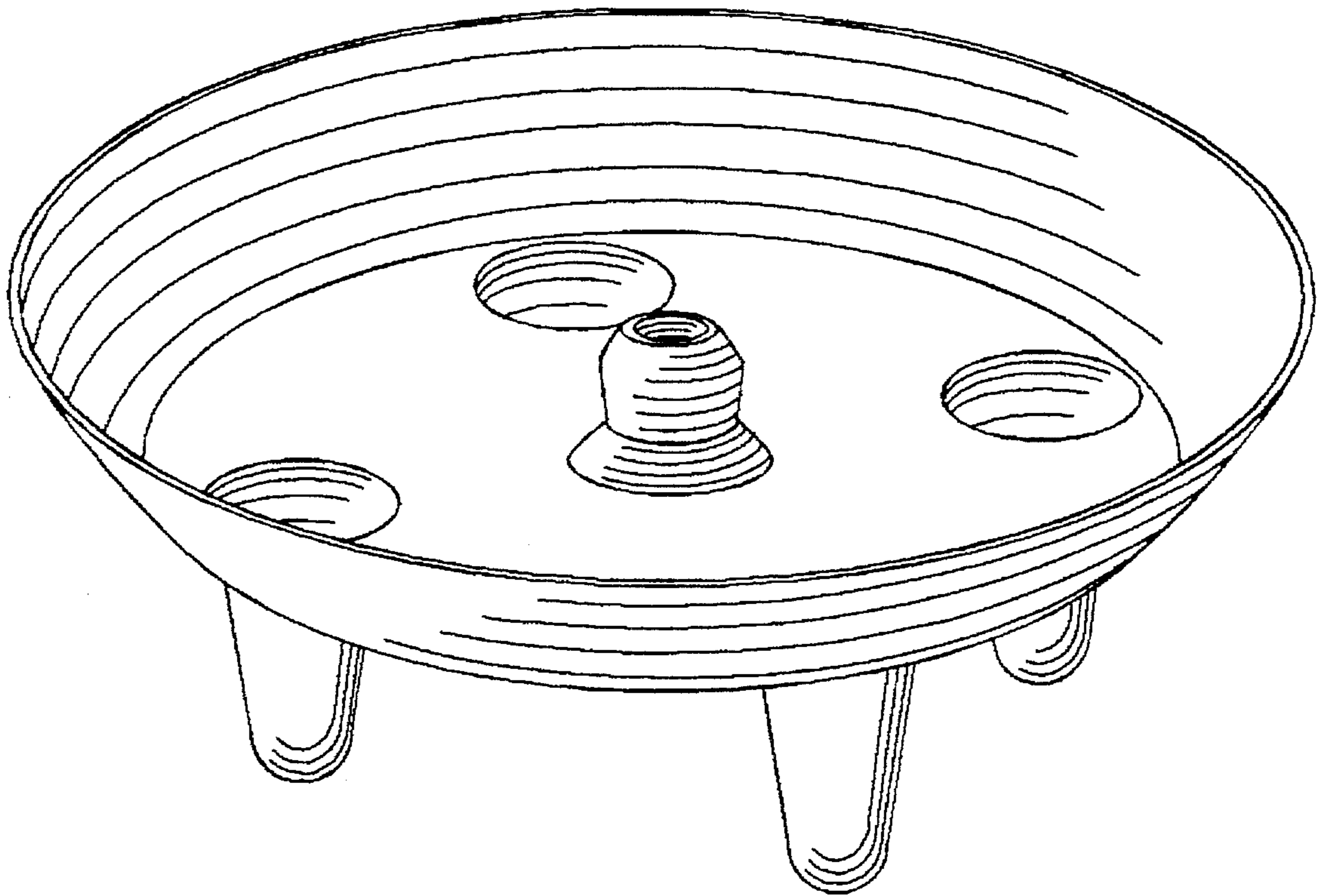
FIG. 1 is a perspective view;  
FIG. 2 is a view of either side;  
FIG. 3 is a top plan view;  
FIG. 4 is a bottom plan view; and,  
FIG. 5 is a cross sectional view as indicated in FIG. 3.

### [56] References Cited

#### U.S. PATENT DOCUMENTS

- D. 285,118 8/1986 Huang ..... D7/553 X
- D. 339,550 9/1993 Wilder ..... D11/164

**1 Claim, 1 Drawing Sheet**



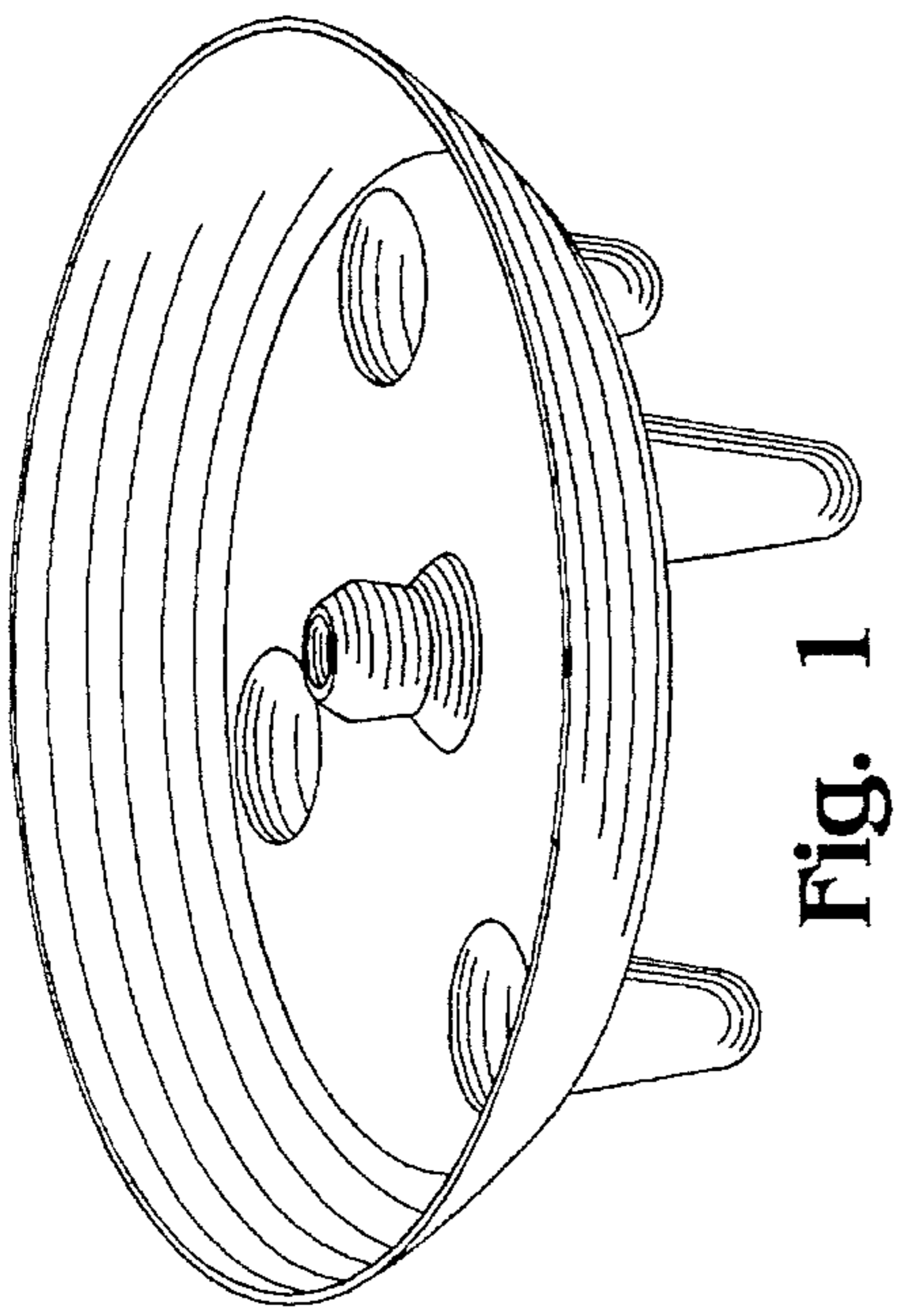


Fig. 1

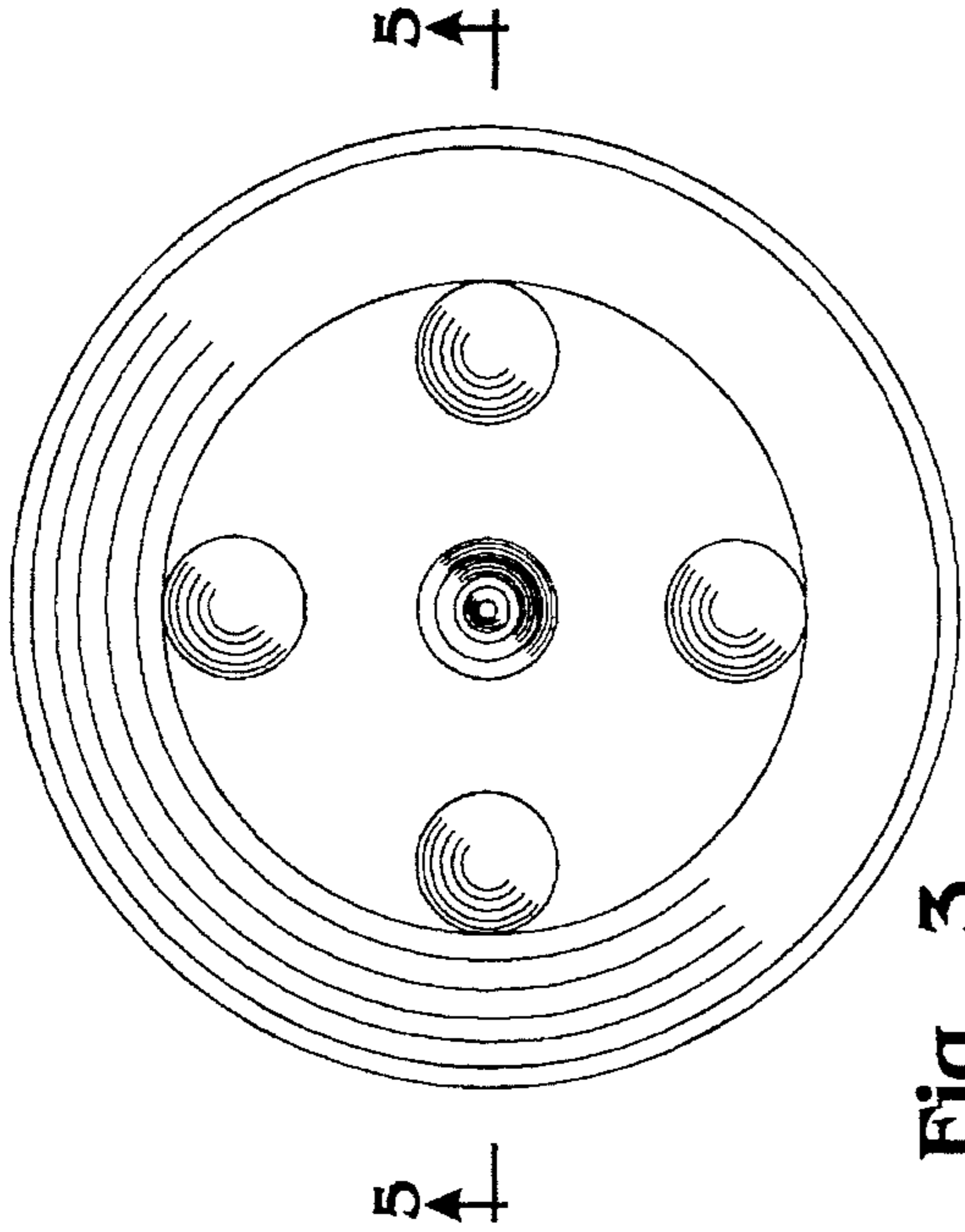


Fig. 3

5 ↑

5 ↑

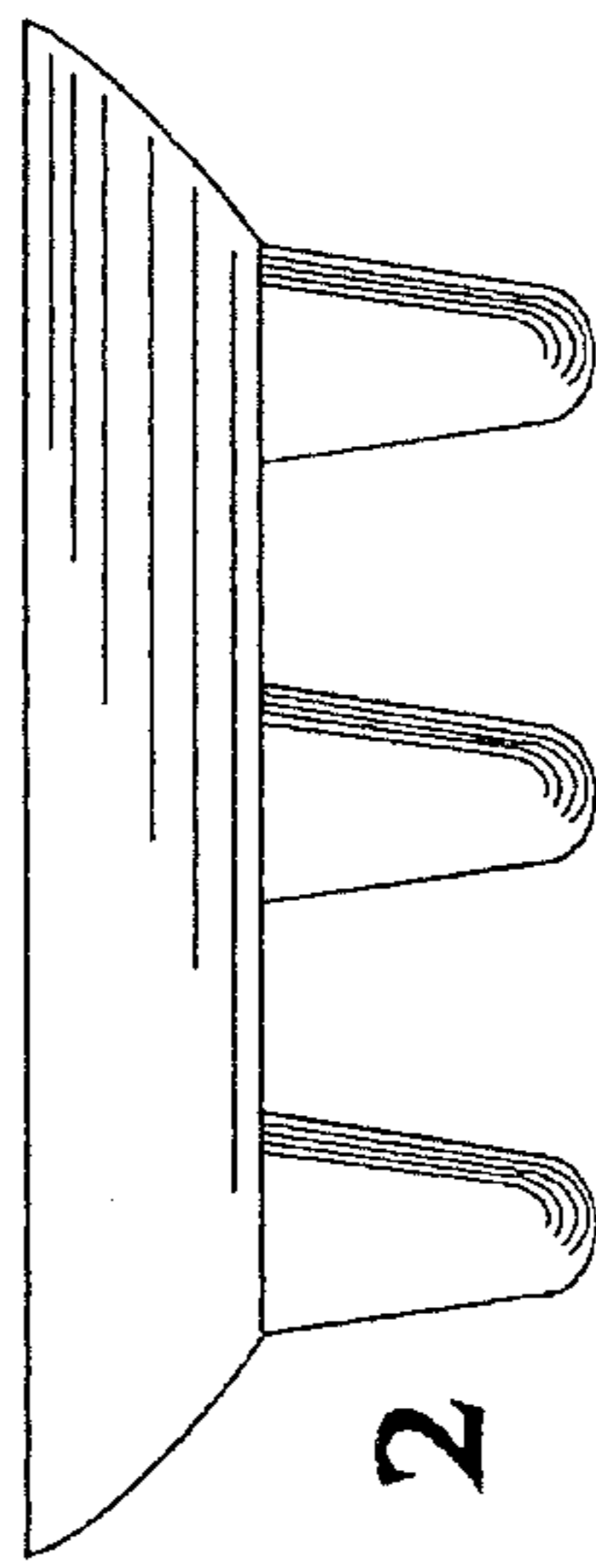


Fig. 2

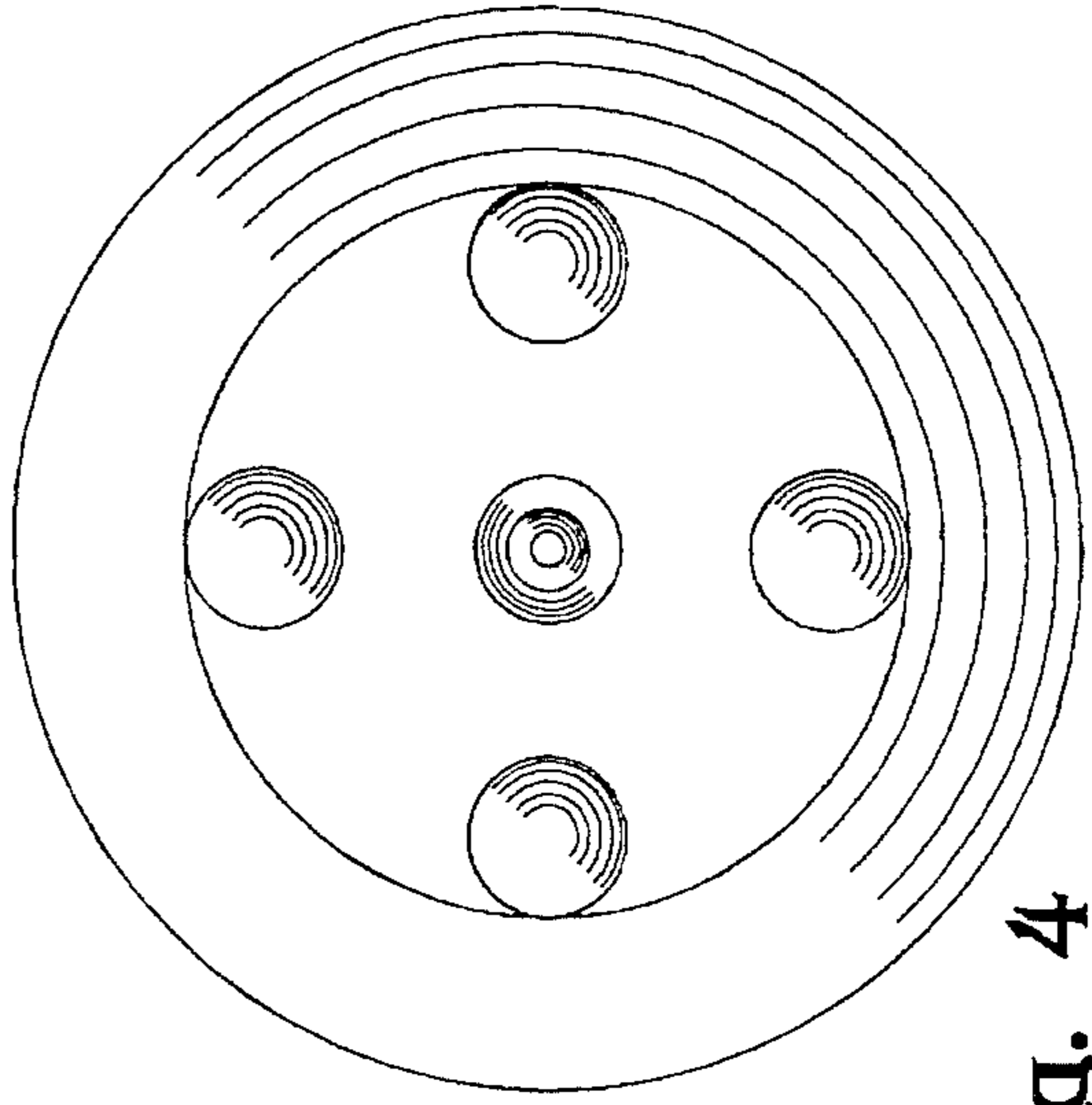


Fig. 4

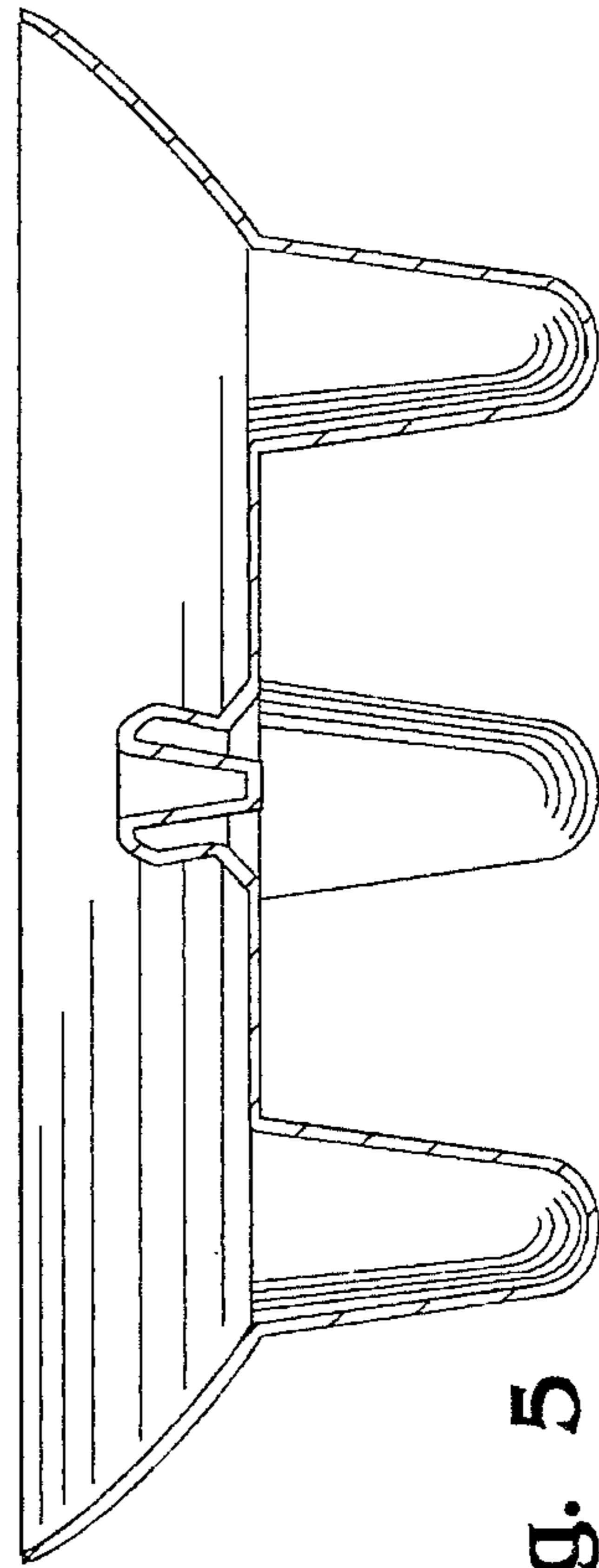


Fig. 5