



US00D363248S

# United States Patent [19]

Bogacki, III

[11] Patent Number: **Des. 363,248**

[45] Date of Patent: **\*\*Oct. 17, 1995**

[54] **GARAGE PARKING LOCATION MARKER**

4,490,917 1/1985 Pilling ..... 116/28

[76] Inventor: **Charles T. Bogacki, III**, 117  
Everglades Blvd., Stuart, Fla. 34994

*Primary Examiner*—A. Hugo Word  
*Assistant Examiner*—Marcus Jackson  
*Attorney, Agent, or Firm*—Malin, Haley, DiMaggio & Crosby

[\*\*] Term: **14 Years**

[21] Appl. No.: **26,798**

[57] **CLAIM**

[22] Filed: **Aug. 5, 1994**

The ornamental design for a garage parking location marker, as shown and described.

[52] U.S. Cl. .... **D10/109**; D20/10

[58] **Field of Search** ..... D10/104, 109,  
D10/110, 117; 116/28.1, 28 R, 29, 30; 340/425.5,  
435, 436, 437, 438; D20/10

**DESCRIPTION**

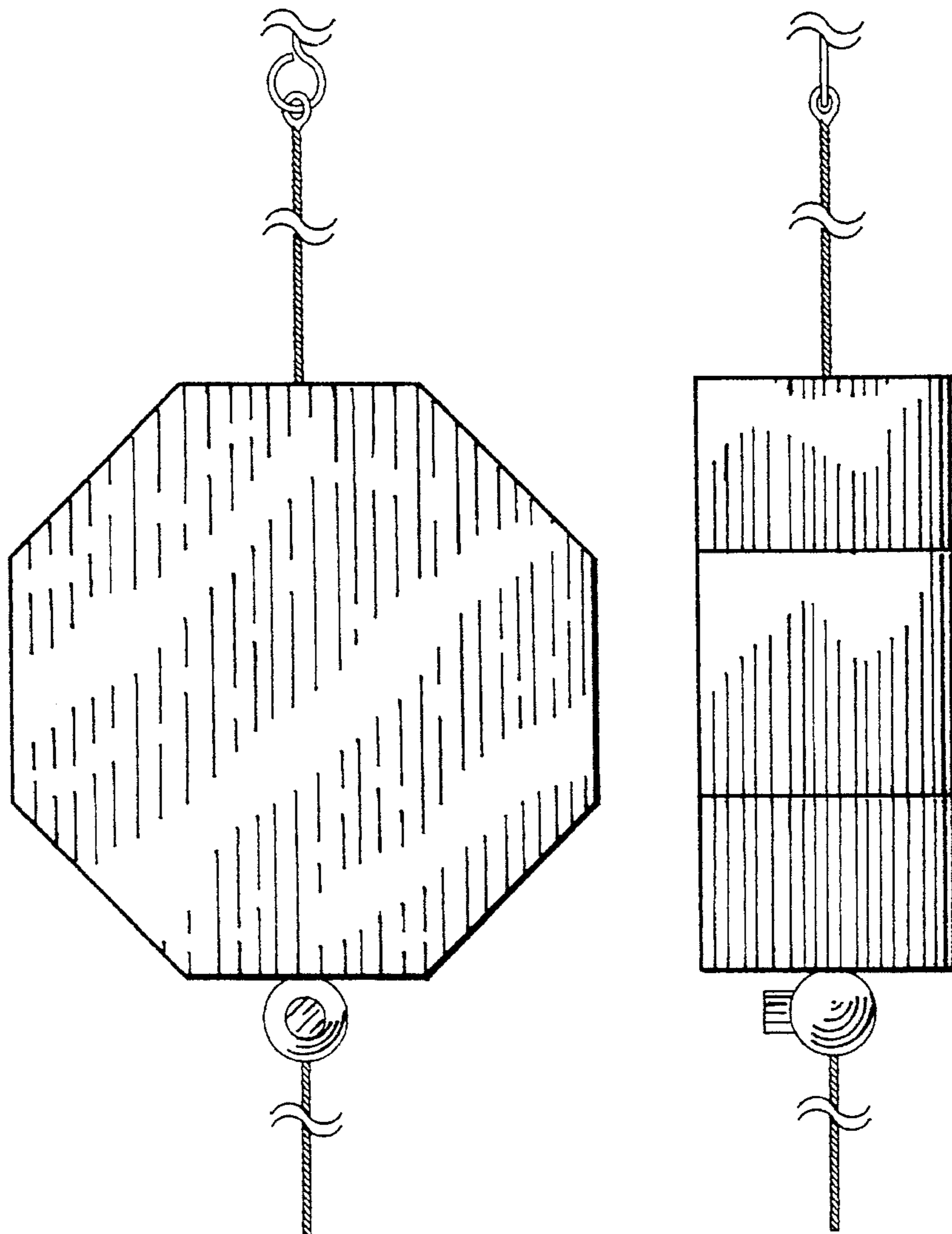
FIG. 1 is a front elevational view of a garage parking location marker showing my new design, with the cords and hook broken away to indicate indeterminate length;  
FIG. 2 is a side elevational view thereof; the opposite side view is a mirror image thereof;  
FIG. 3 is a bottom plan view thereof;  
FIG. 4 is a top plan view thereof; and,  
FIG. 5 is a rear elevational view thereof.

[56] **References Cited**

**U.S. PATENT DOCUMENTS**

D. 253,637	12/1979	Welbourne	.....	D10/109
D. 279,460	7/1985	Souza	.....	D10/109
D. 336,056	6/1993	Valdez	.....	D10/110
3,817,203	6/1974	Brauer	.....	116/28
4,433,636	2/1984	Crouch	.....	116/28

**1 Claim, 2 Drawing Sheets**



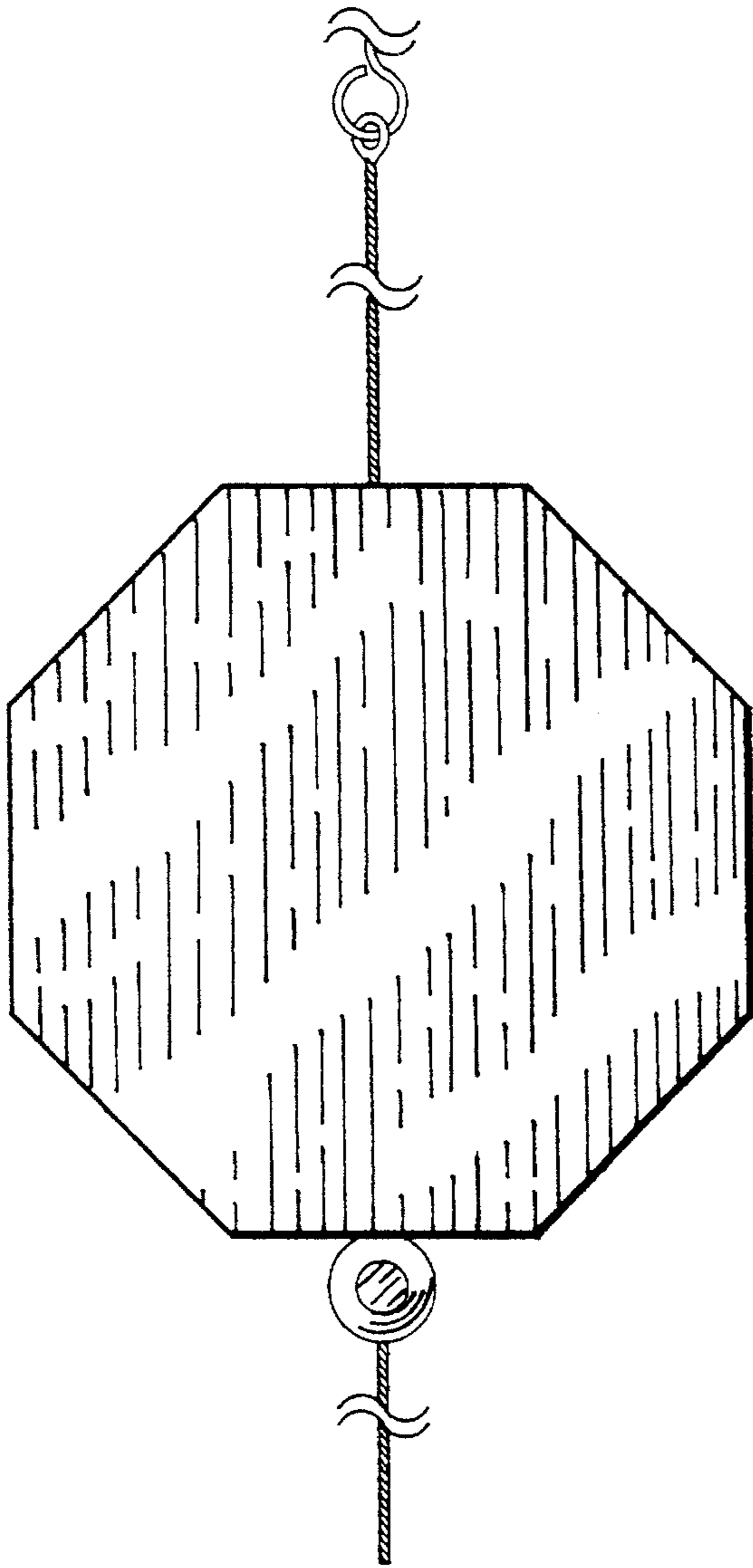


Fig. 1

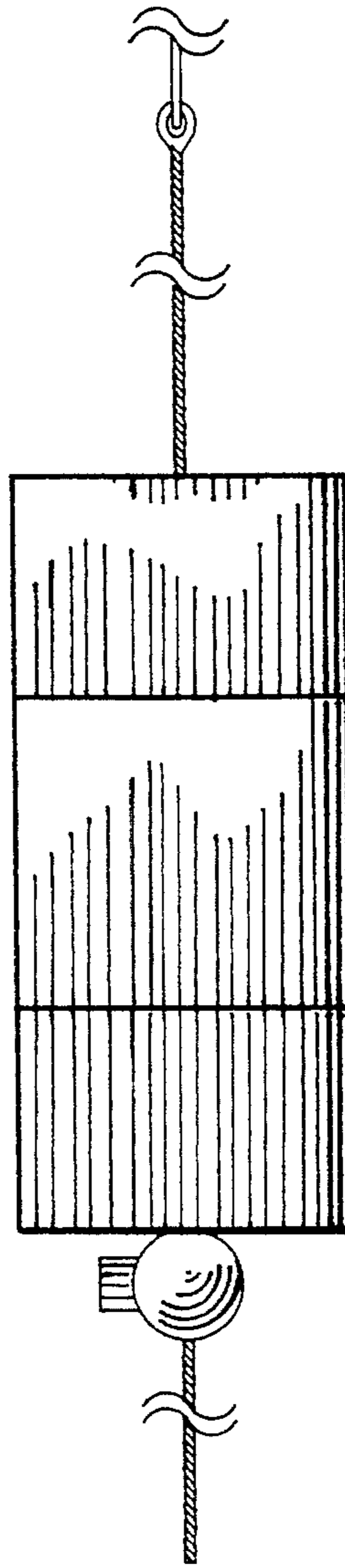


Fig. 2

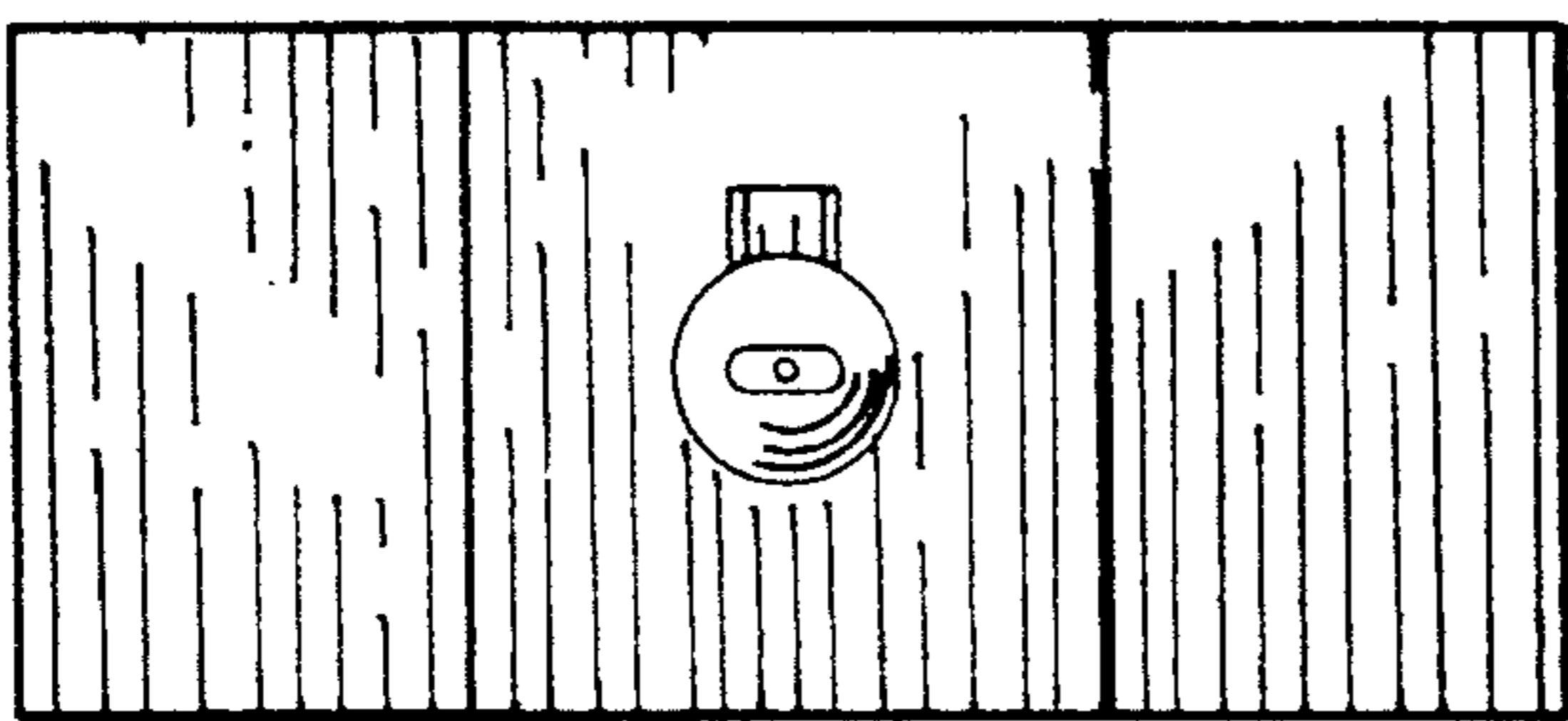


Fig. 3

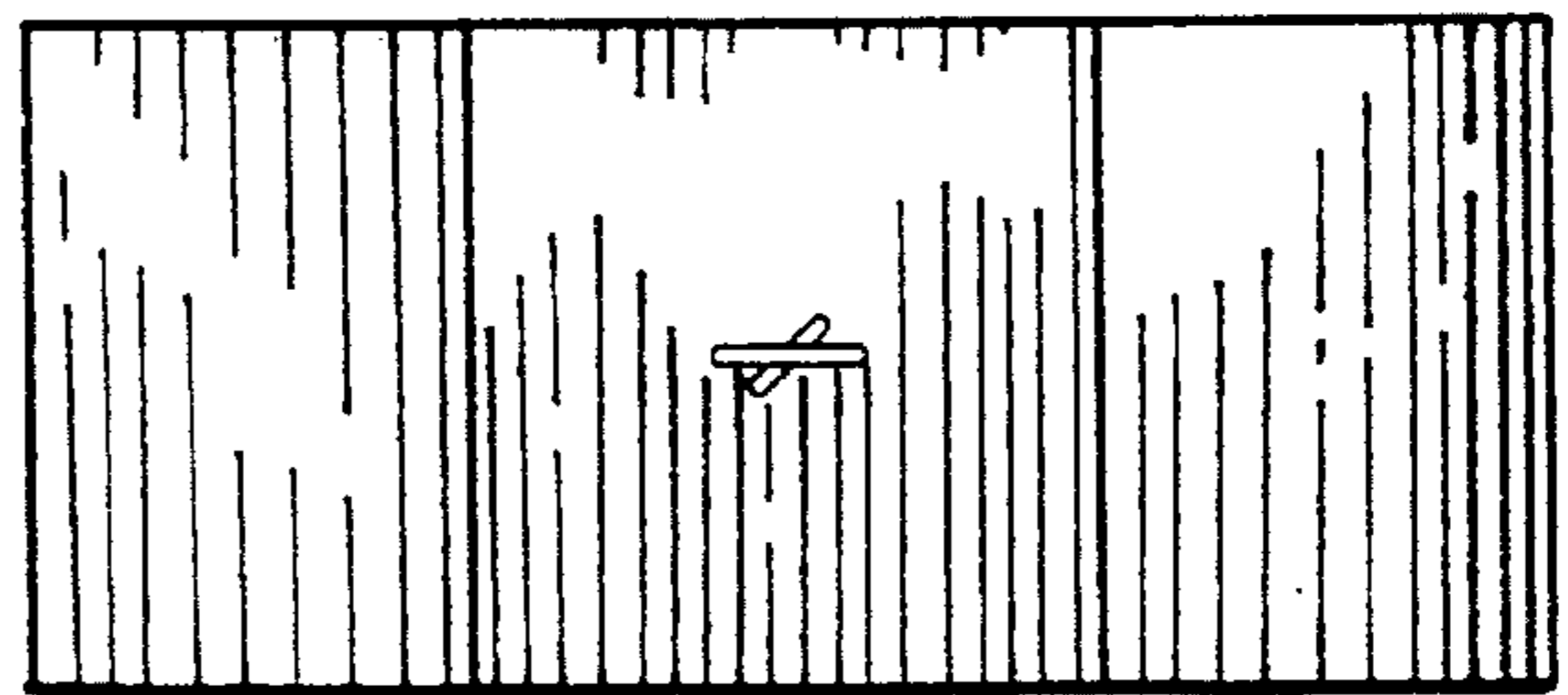
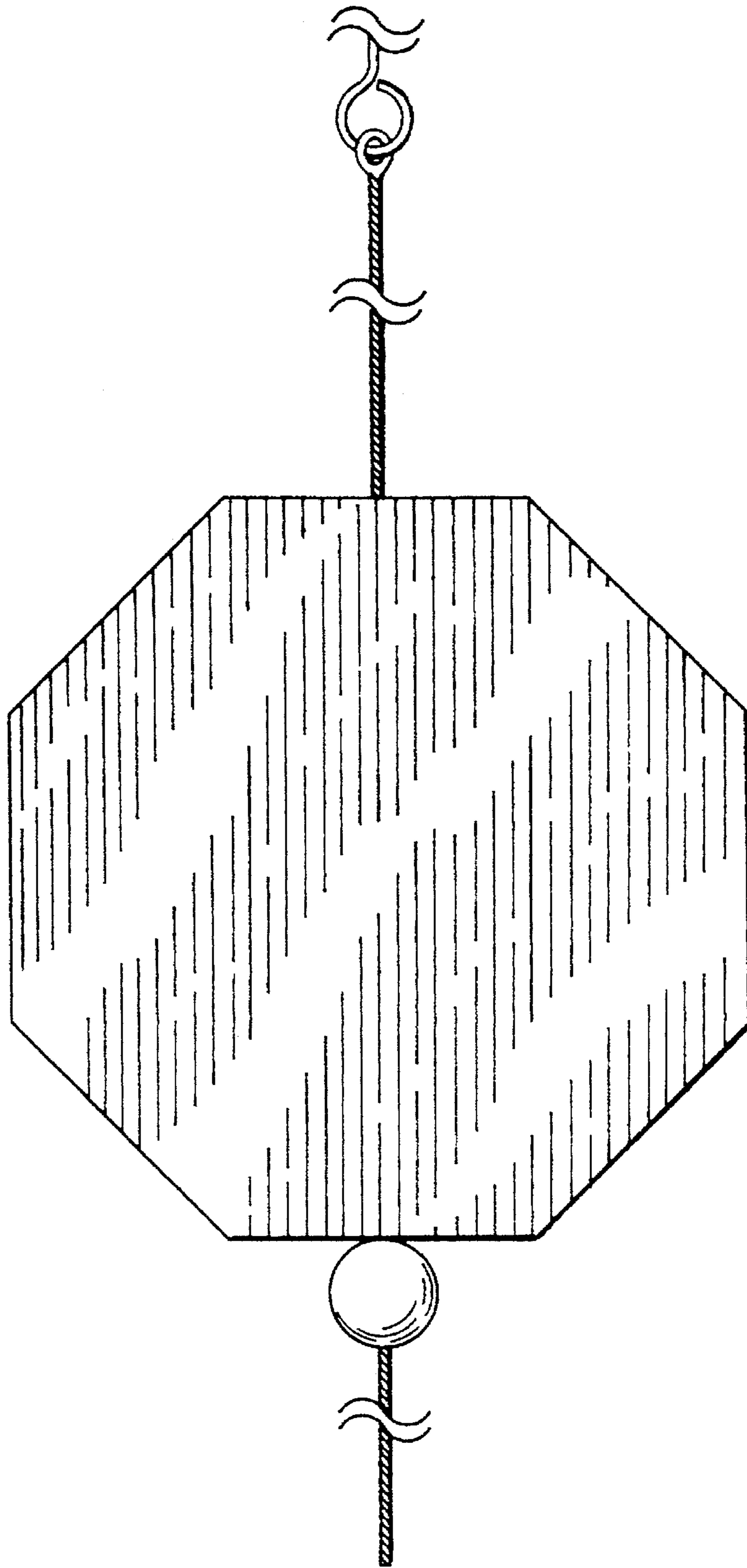


Fig. 4



*Fig. 5*