



US00D363246S

United States Patent [19] Angles

[11] Patent Number: **Des. 363,246**

[45] Date of Patent: ****Oct. 17, 1995**

[54] **DEPTH GAUGE**

5,031,452 7/1991 Dobson et al. 33/719 X

[76] Inventor: **Robert L. Angles**, 9147 Valley Blvd.,
Rosemead, Calif. 91770

Primary Examiner—Antoine Duval Davis
Attorney, Agent, or Firm—Macro-Search Corp.; Gene Scott

[**] Term: **14 Years**

[57] **CLAIM**

[21] Appl. No.: **24,584**

The ornamental design for a depth gauge, as shown and described.

[22] Filed: **Jun. 16, 1994**

DESCRIPTION

[52] U.S. Cl. **D10/101; D10/70**

[58] Field of Search D10/70, 71, 86,
D10/101; D24/126, 127, 131, 132; 33/719,
810; 73/290, 298, 744

FIG. 1 is a perspective view of a depth gauge, showing my new design;

FIG. 2 is a left side elevation view thereof, the right side elevation view being a mirror image thereof;

FIG. 3 is a front elevation view thereof;

FIG. 4 is a rear elevation view thereof;

FIG. 5 is a top plan view thereof; and,

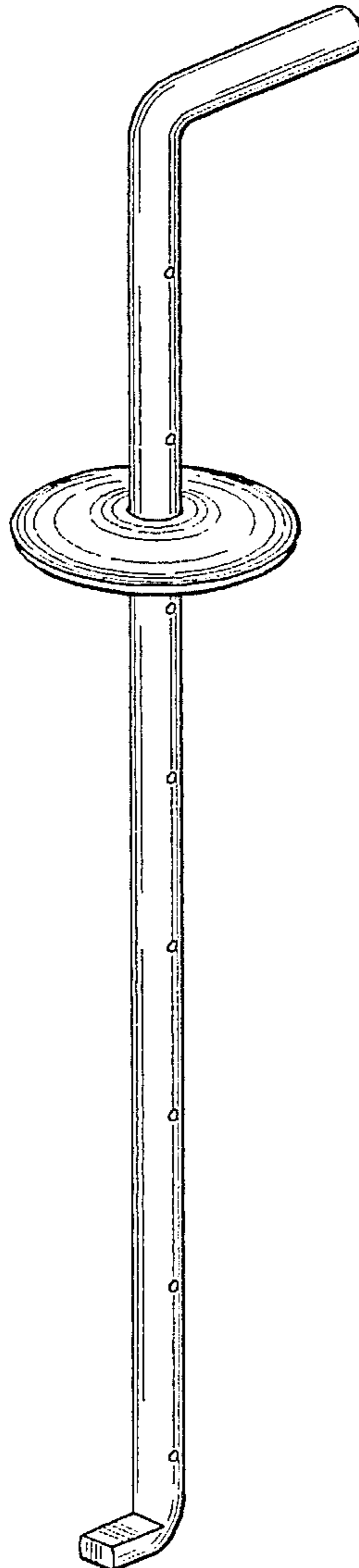
FIG. 6 is a bottom plan view thereof.

[56] **References Cited**

U.S. PATENT DOCUMENTS

D. 235,055	5/1975	McCloskey	D10/101
1,524,950	2/1925	Perkins	73/298
2,023,724	12/1935	Connolly	33/719 X
3,054,291	9/1962	Landwer	33/719 X

1 Claim, 2 Drawing Sheets



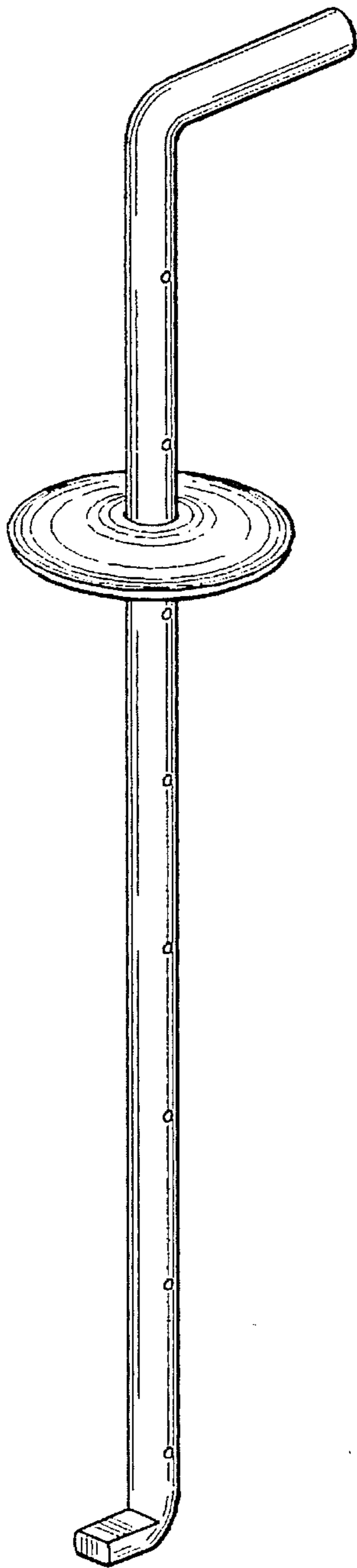


FIG 1

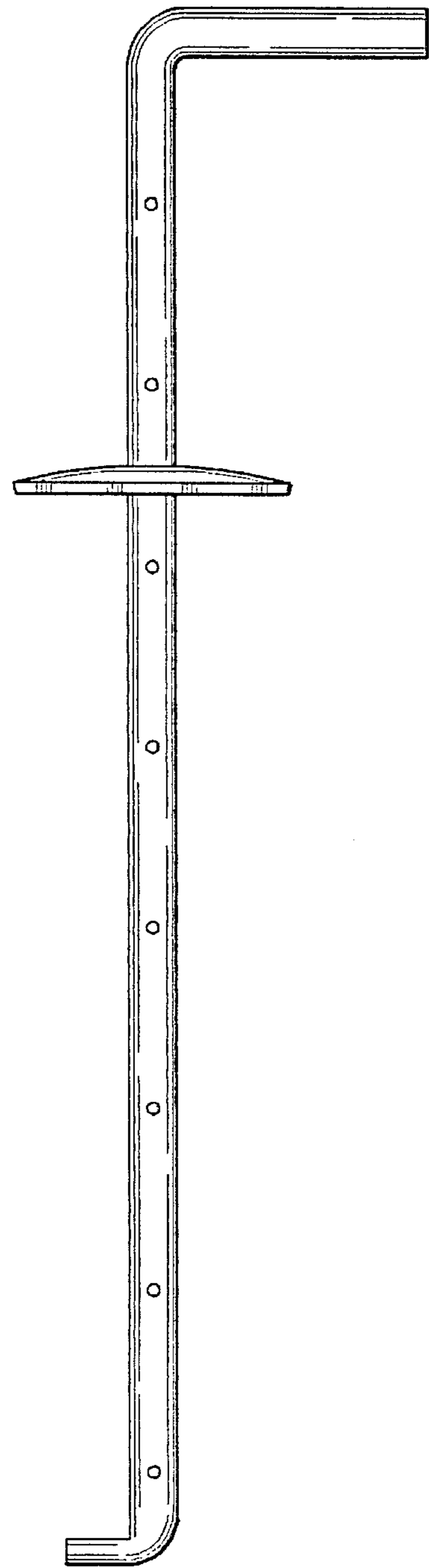


FIG 2

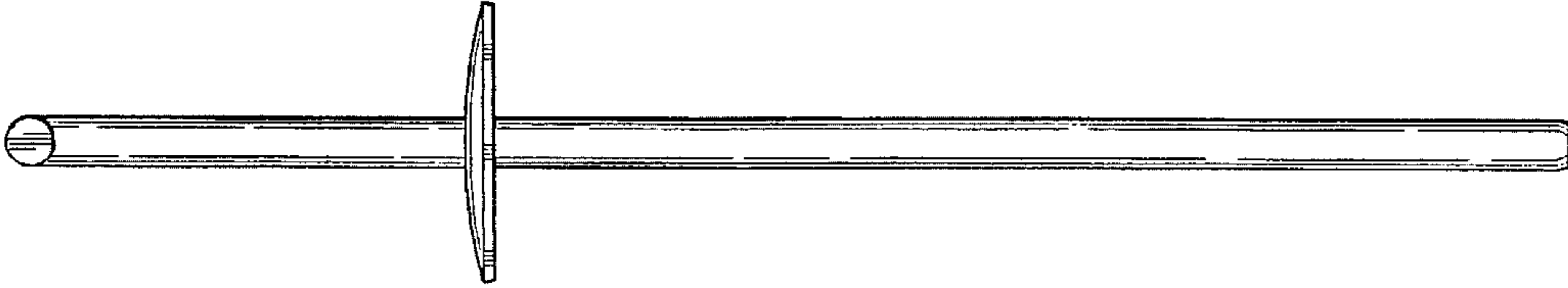


FIG 3

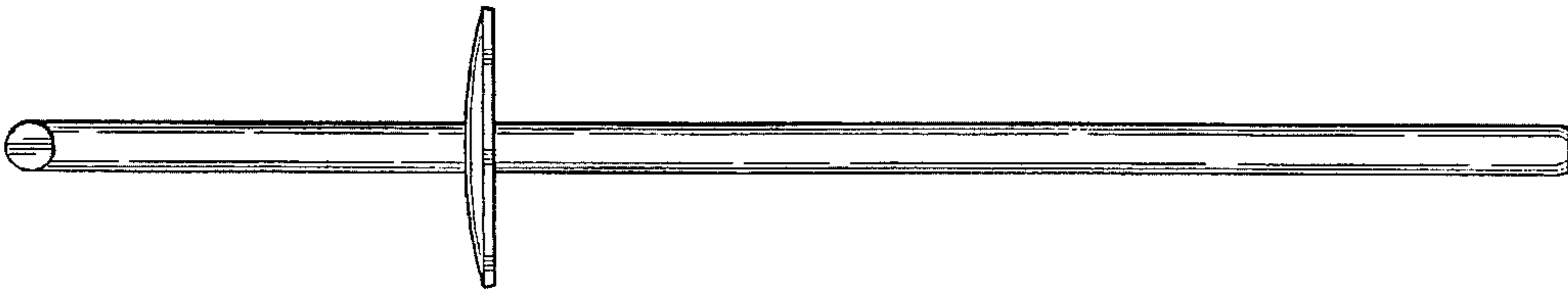


FIG 4

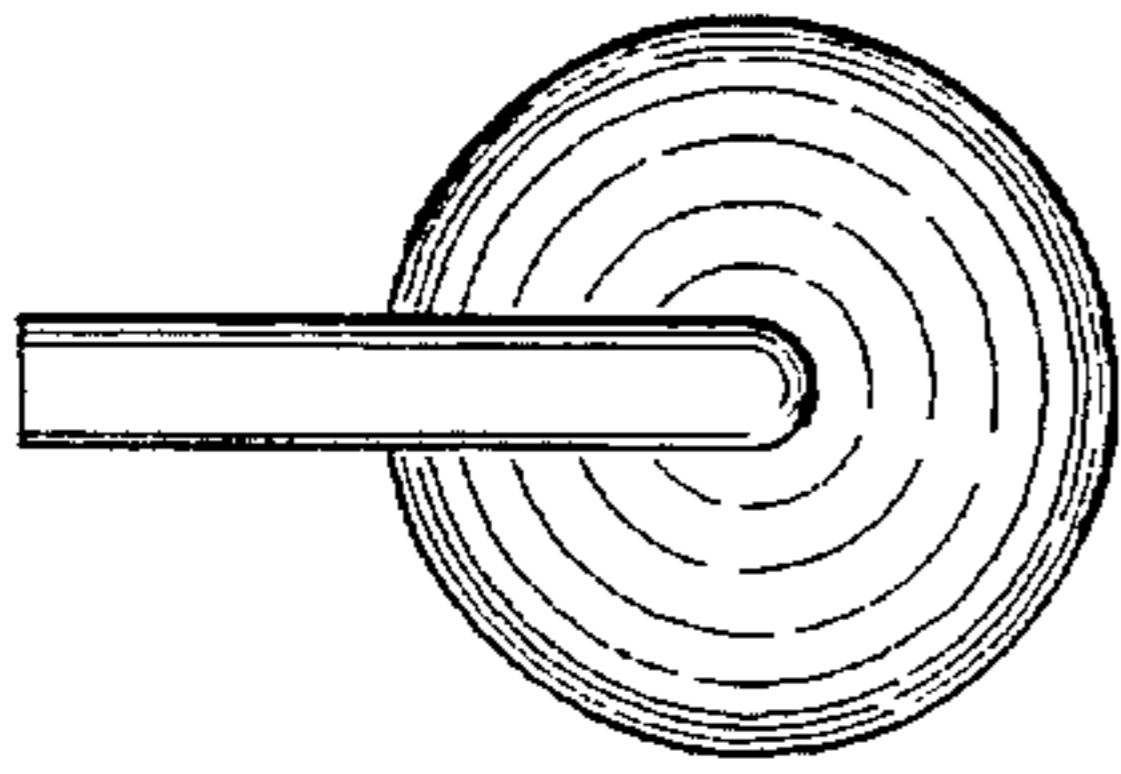


FIG 5

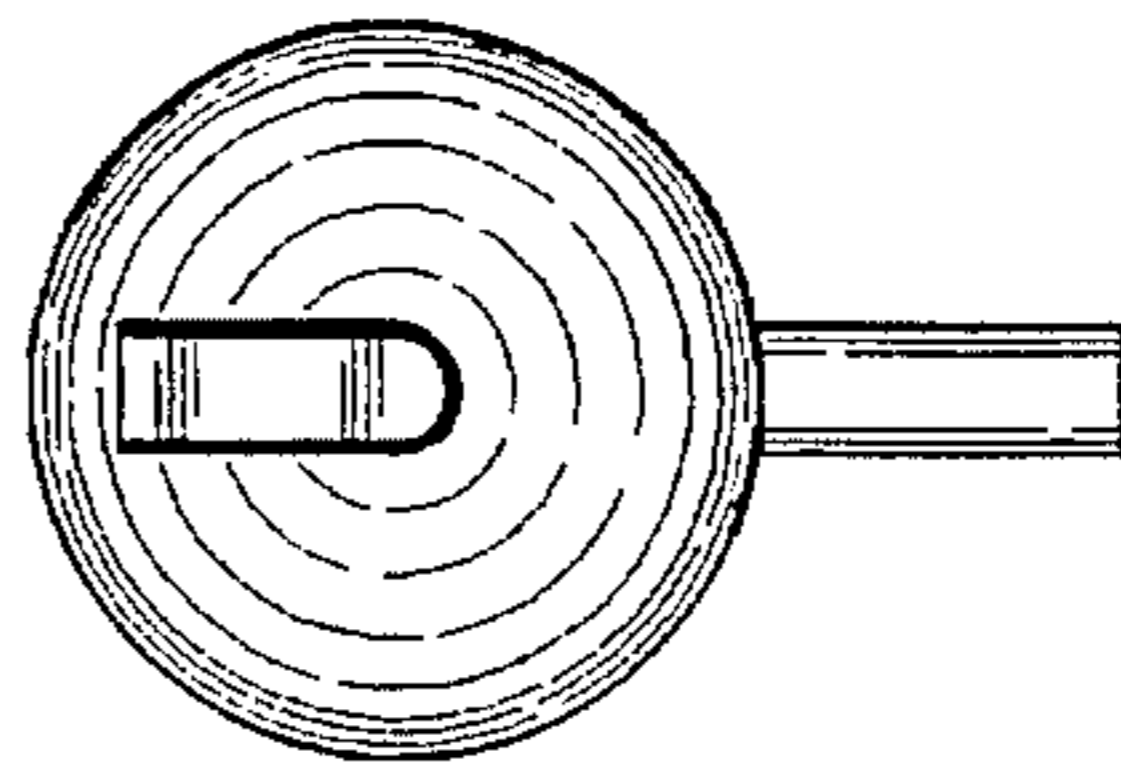


FIG 6