



US00D363244S

United States Patent [19] Ivy

[11] Patent Number: **Des. 363,244**

[45] Date of Patent: ****Oct. 17, 1995**

[54] SCALE

[75] Inventor: **Donald R. Ivy**, Waynesburo, Miss.

[73] Assignee: **Sunbeam Corporation**, Fort Lauderdale, Fla.

[**] Term: **14 Years**

[21] Appl. No.: **15,211**

[22] Filed: **Nov. 4, 1993**

[52] U.S. Cl. **D10/92**

[58] Field of Search D10/92; 177/238-243, 177/DIG. 3

[56] **References Cited**

U.S. PATENT DOCUMENTS

D. 93,858	11/1934	Weber et al.	D10/92
D. 97,807	12/1935	Garbell	D10/92
D. 138,856	9/1944	Dreyfoss	D10/92 X
D. 317,578	6/1991	Voss et al.	D10/92
2,039,527	5/1936	Garbell	177/239

OTHER PUBLICATIONS

Retailing Home Furnishings; Krup's Weight Minder; Nov. 1977; p. 21.

Form; Nova 1978 Scale; Apr. 1978; p. 95.

Primary Examiner—Antoine Duval Davis

Attorney, Agent, or Firm—Michael J. Kline; Darren E. Wolf

[57] **CLAIM**

The ornamental design for a scale, as shown and described.

DESCRIPTION

FIG. 1 is an isometric view of a scale of the present invention;

FIG. 2 is a top plan view of the scale of FIG. 1;

FIG. 3 is a bottom plan view of the scale of FIG. 1;

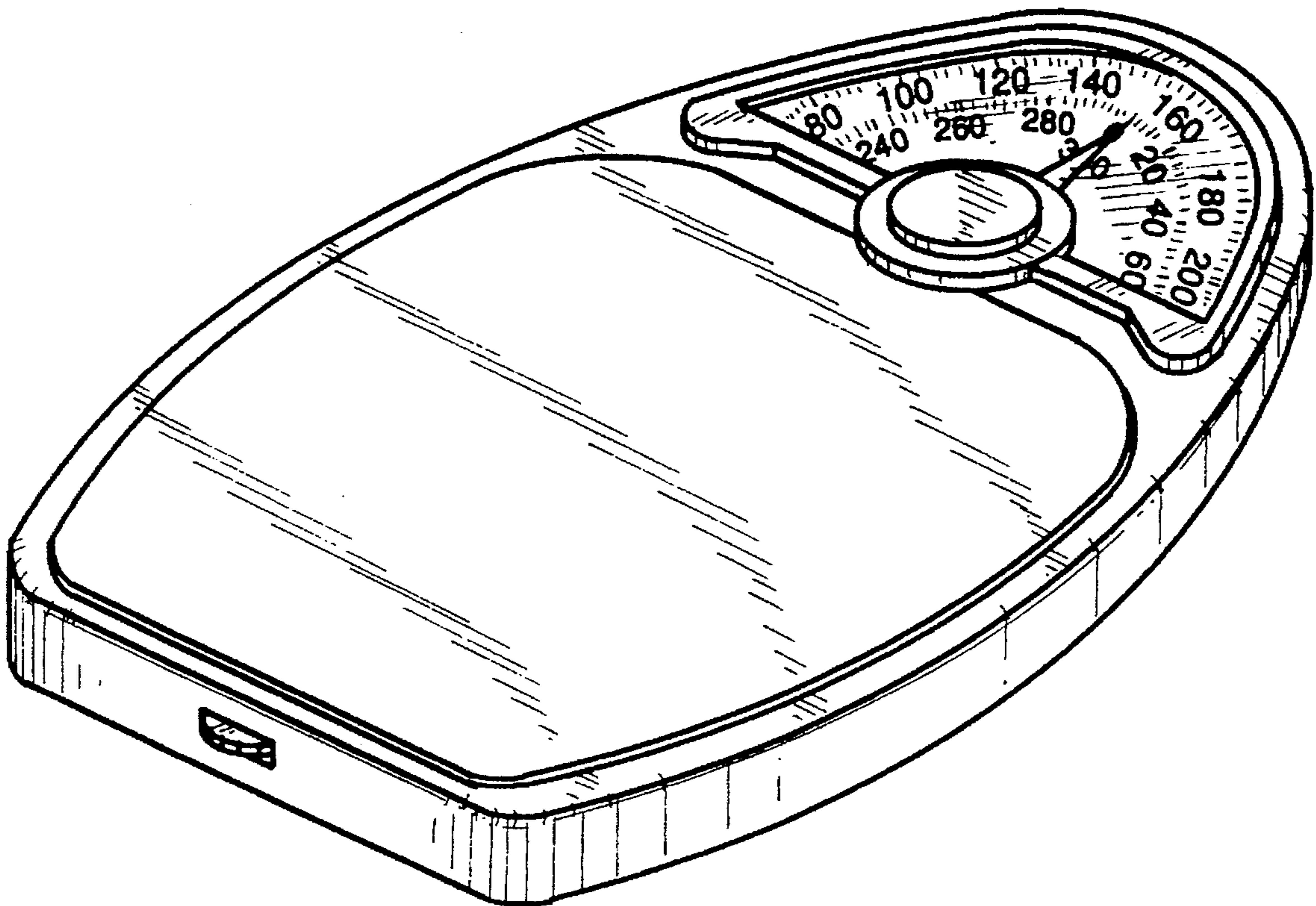
FIG. 4 is a front view of the scale of FIG. 1;

FIG. 5 is a rear view of the scale of FIG. 1;

FIG. 6 is a right side view of the scale of FIG. 1; and,

FIG. 7 is the a left view of the scale of FIG. 1.

1 Claim, 3 Drawing Sheets



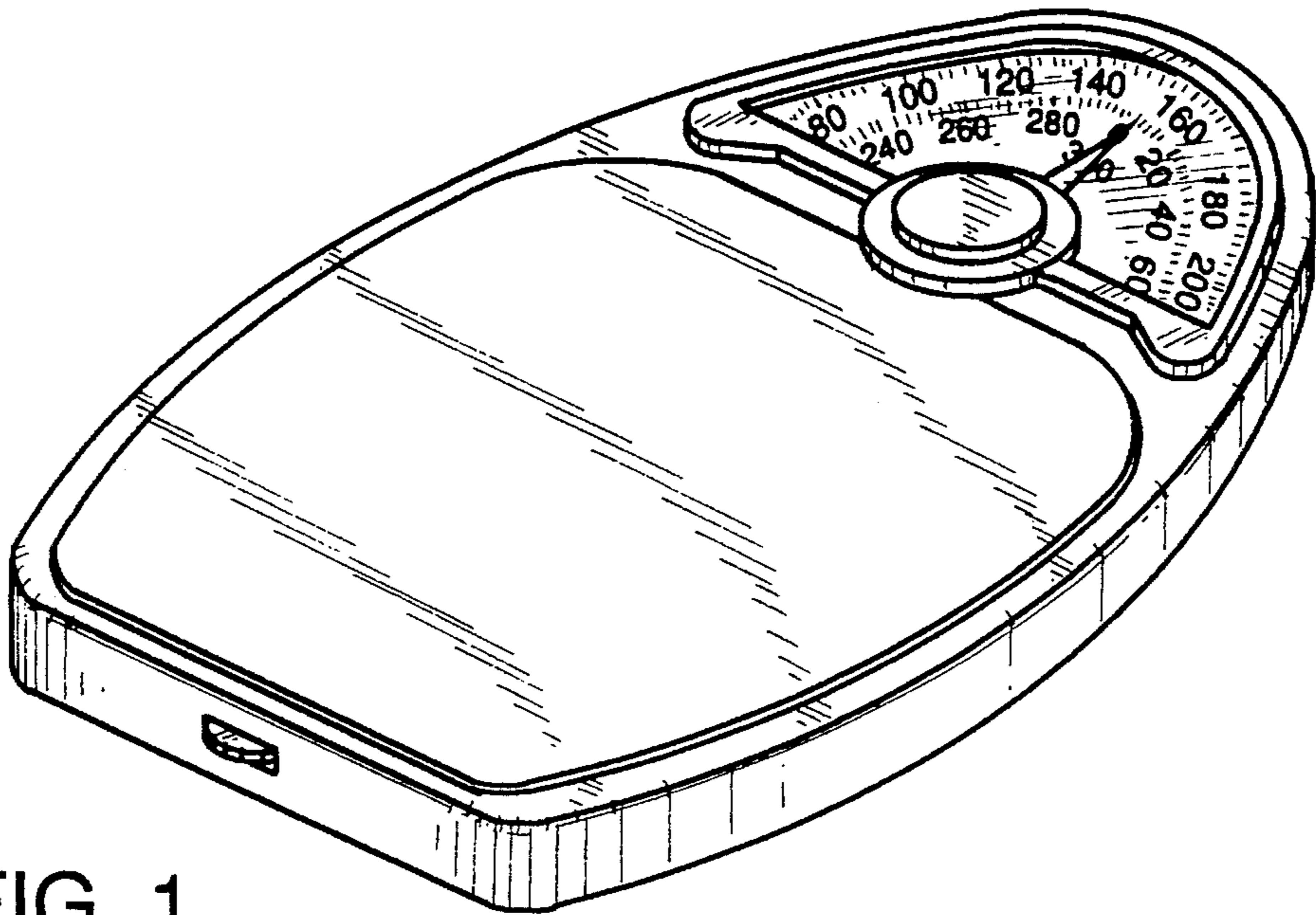


FIG. 1

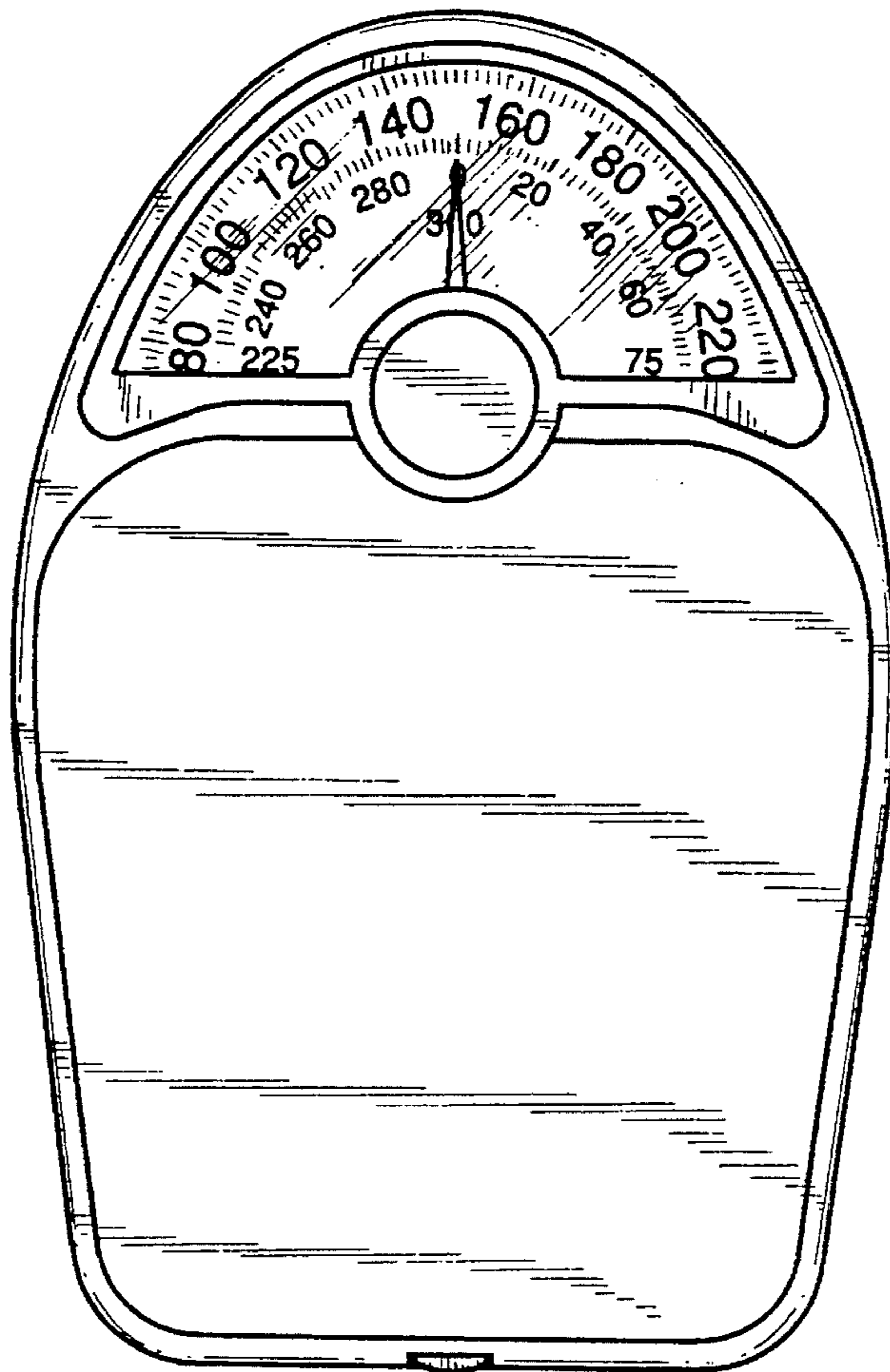


FIG. 2

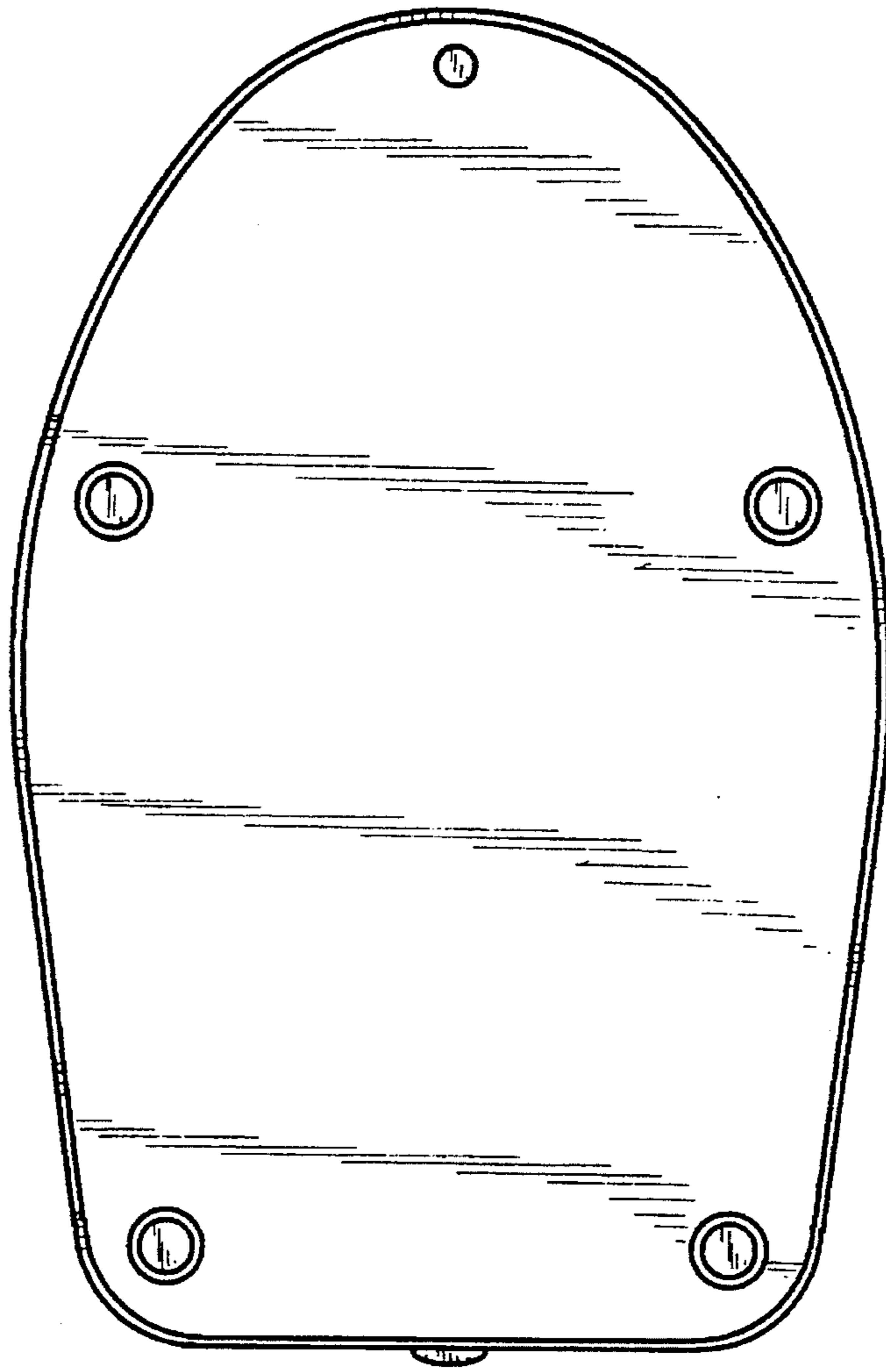


FIG. 3

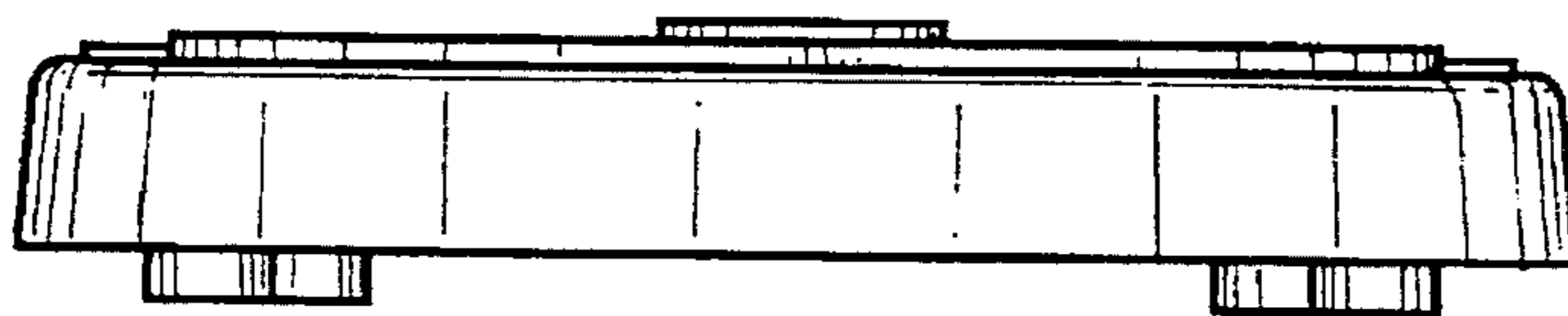


FIG. 4

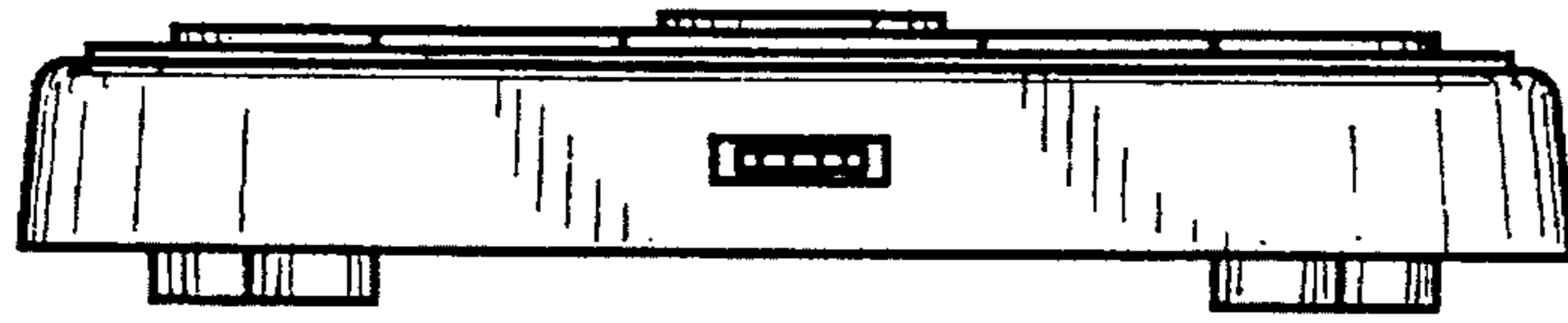


FIG. 5

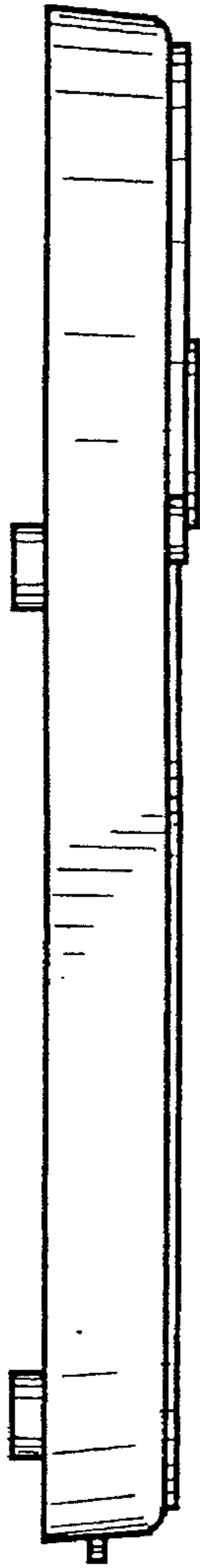


FIG. 6

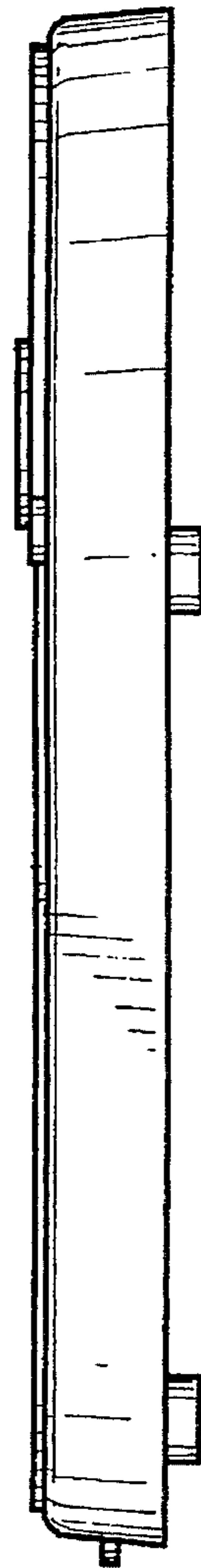


FIG. 7