



US00D363242S

United States Patent [19]

Scanlon

[11] Patent Number: Des. 363,242

[45] Date of Patent: **Oct. 17, 1995

[54] SCALE FOR READING TONGUE WEIGHT OF A TRAILER

3,771,614 11/1973 Kerr .
3,797,594 3/1974 Chaffee 177/136
4,056,155 11/1977 Wahl .

[76] Inventor: Robert B. Scanlon, 10133 Kedvale Ave., Oaklawn, Ill. 60453

Primary Examiner—Antoine Duval Davis
Attorney, Agent, or Firm—Terry M. Gernstein

[**] Term: 14 Years

[57] CLAIM

[21] Appl. No.: 31,211

The ornamental design for a scale for reading tongue weight of a trailer, as shown and described.

[22] Filed: Nov. 14, 1994

[52] U.S. Cl. D10/89; D10/88; D10/91

DESCRIPTION

[58] Field of Search D10/88-91; 177/136, 177/145, 164, 208, 225, 230, 233, 245; 280/400, 477

FIG. 1 is a front, top and right side perspective view of the scale for reading tongue weight of a trailer showing my new design;

[56] References Cited

U.S. PATENT DOCUMENTS

D. 250,098 10/1978 van Mastrigt D10/89
D. 255,664 7/1980 Wahl D10/89
3,229,780 1/1966 Hanssen .
3,700,053 10/1972 Glissendorf 177/136

FIG. 2 is a front elevational view thereof;

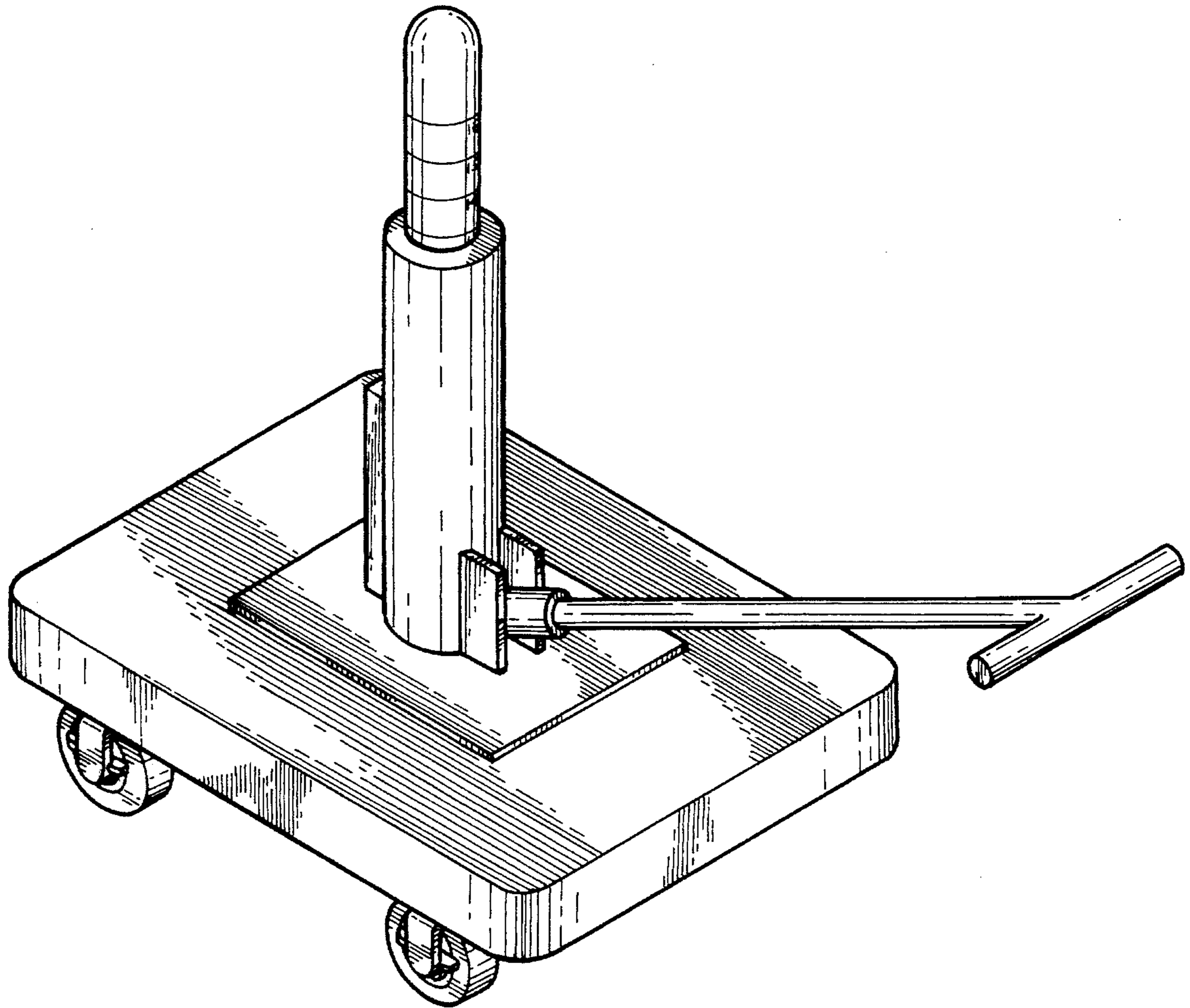
FIG. 3 is a right side elevational view thereof;

FIG. 4 is a left side elevational view thereof;

FIG. 5 is a top plan view thereof; and,

FIG. 6 is a bottom plan view thereof.

1 Claim, 4 Drawing Sheets



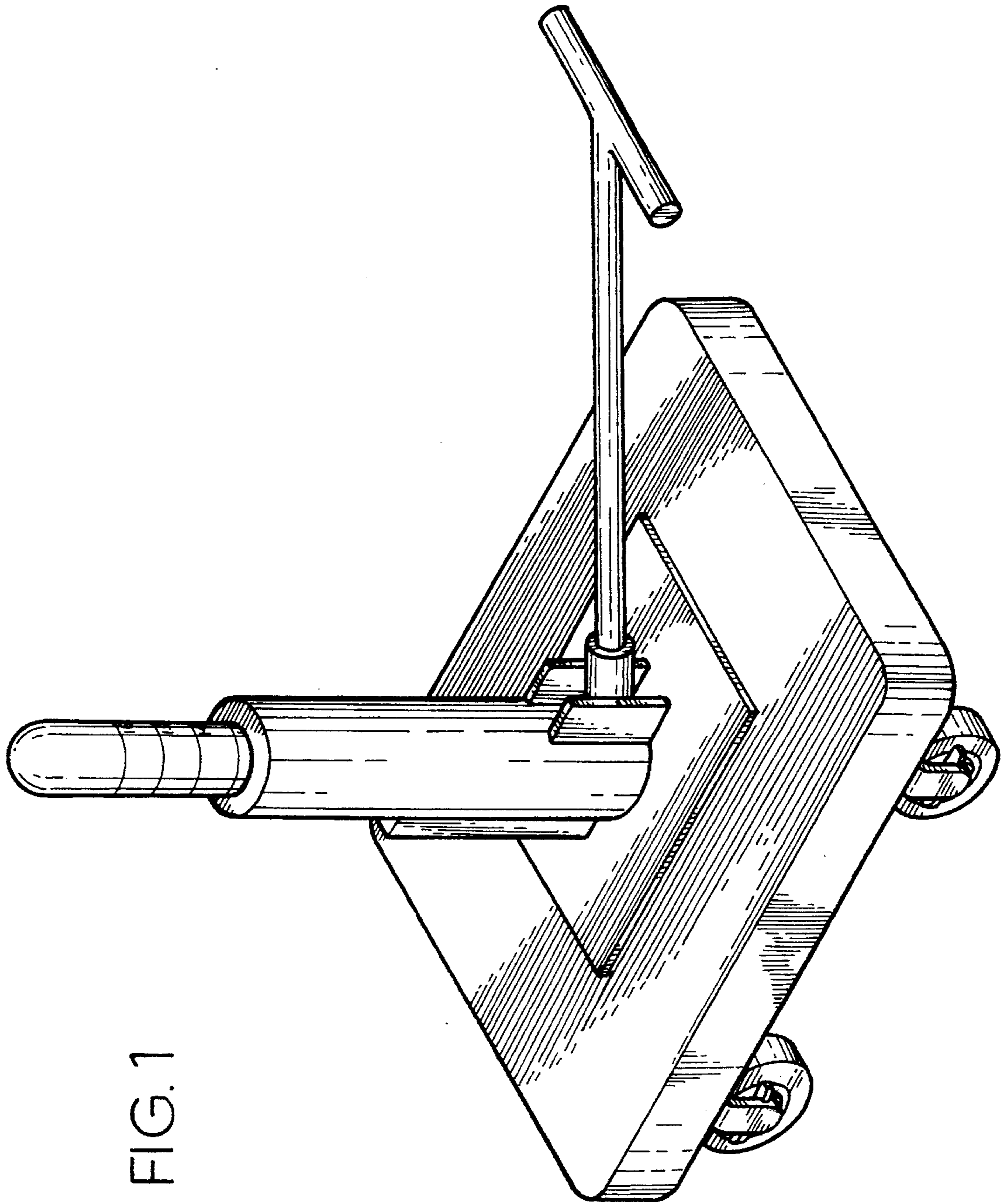


FIG. 1

FIG. 2

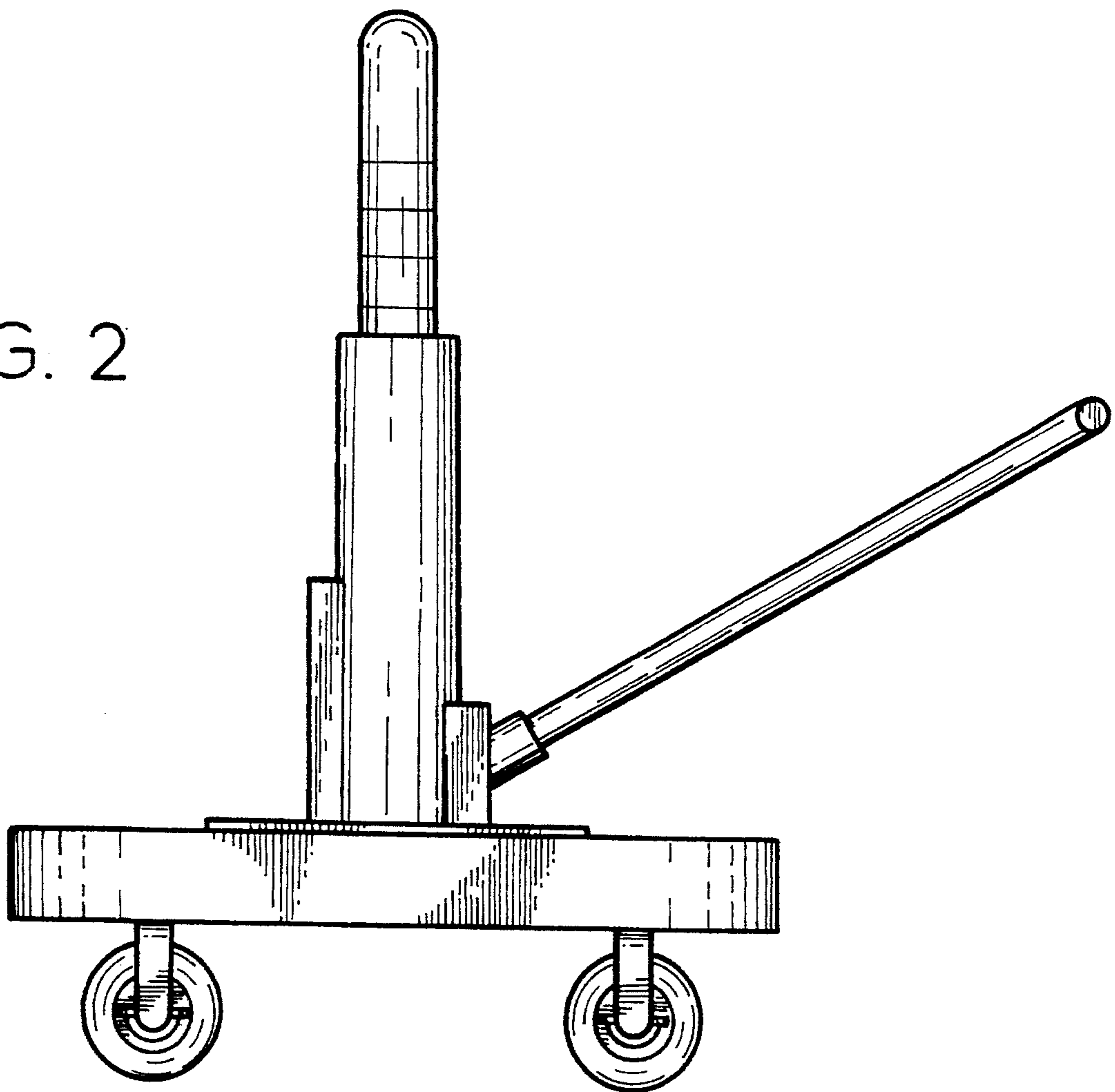
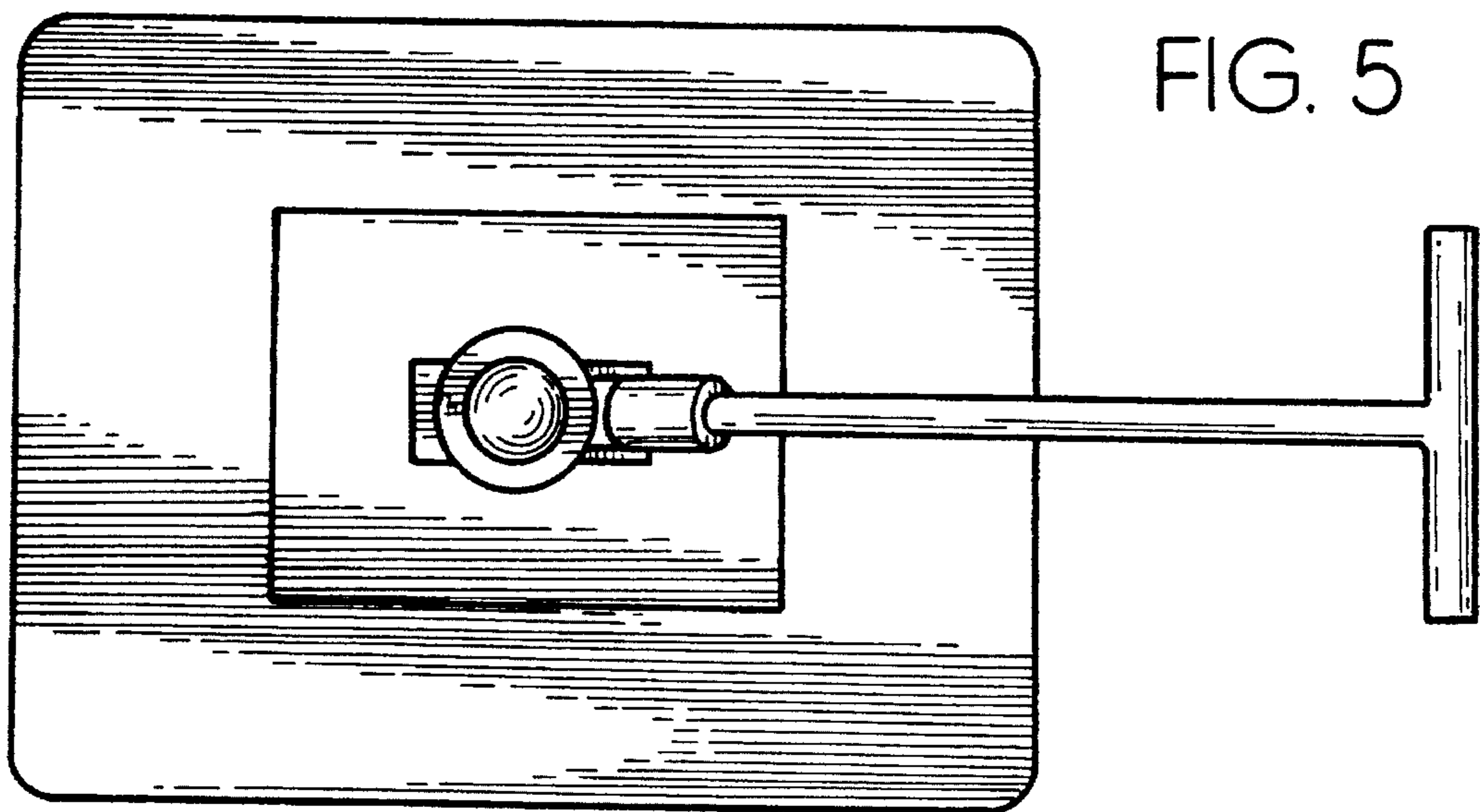


FIG. 5



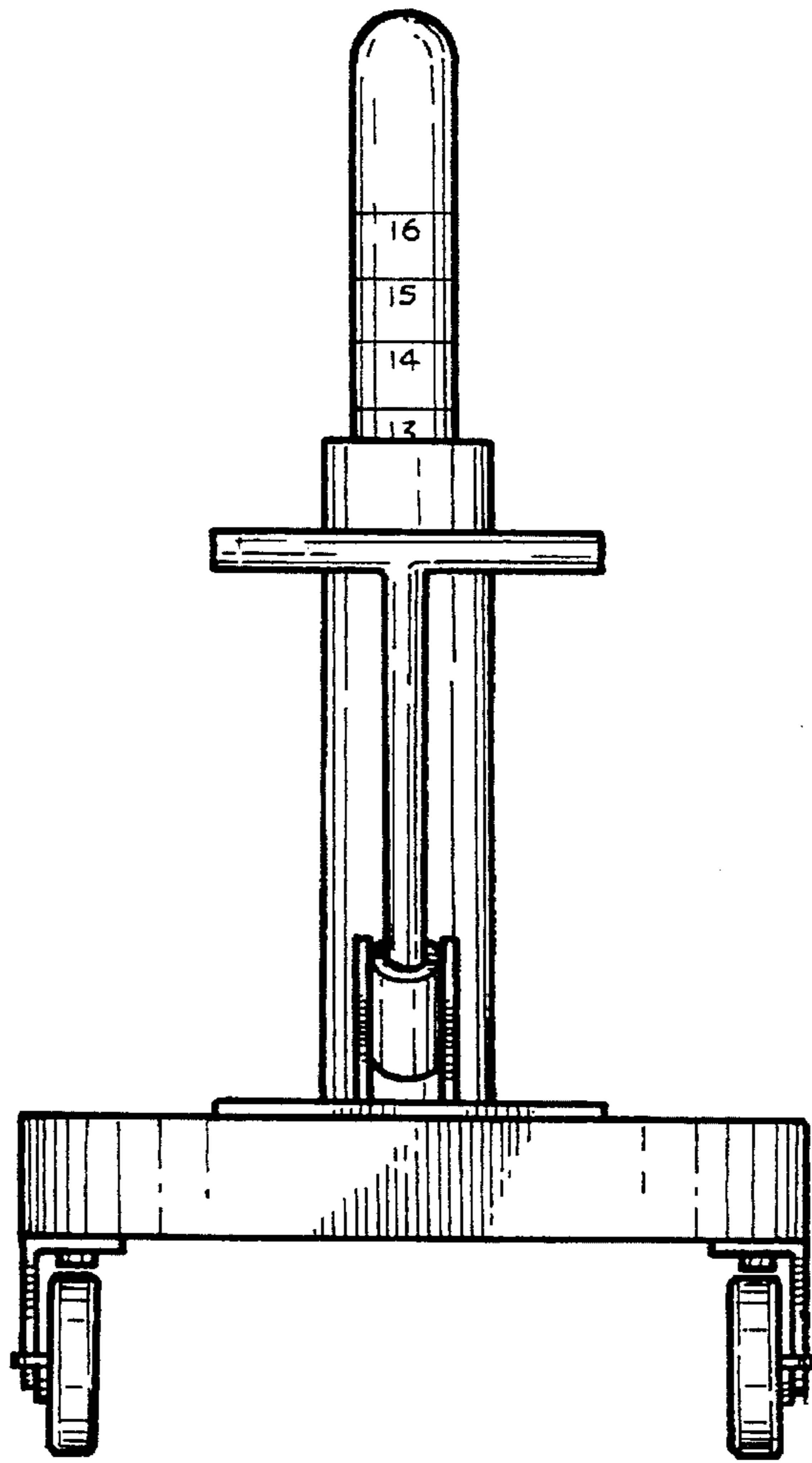


FIG. 3

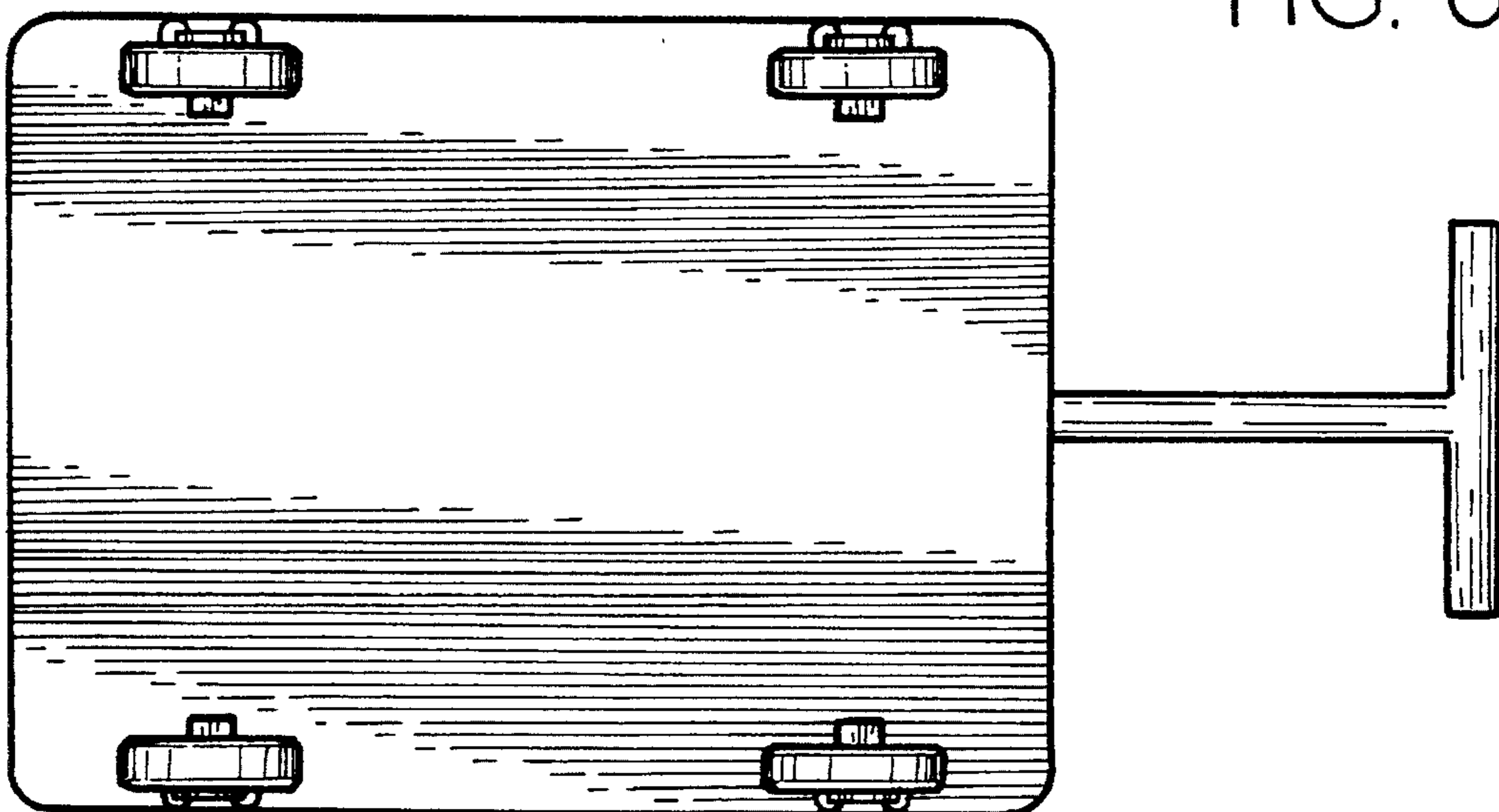


FIG. 6

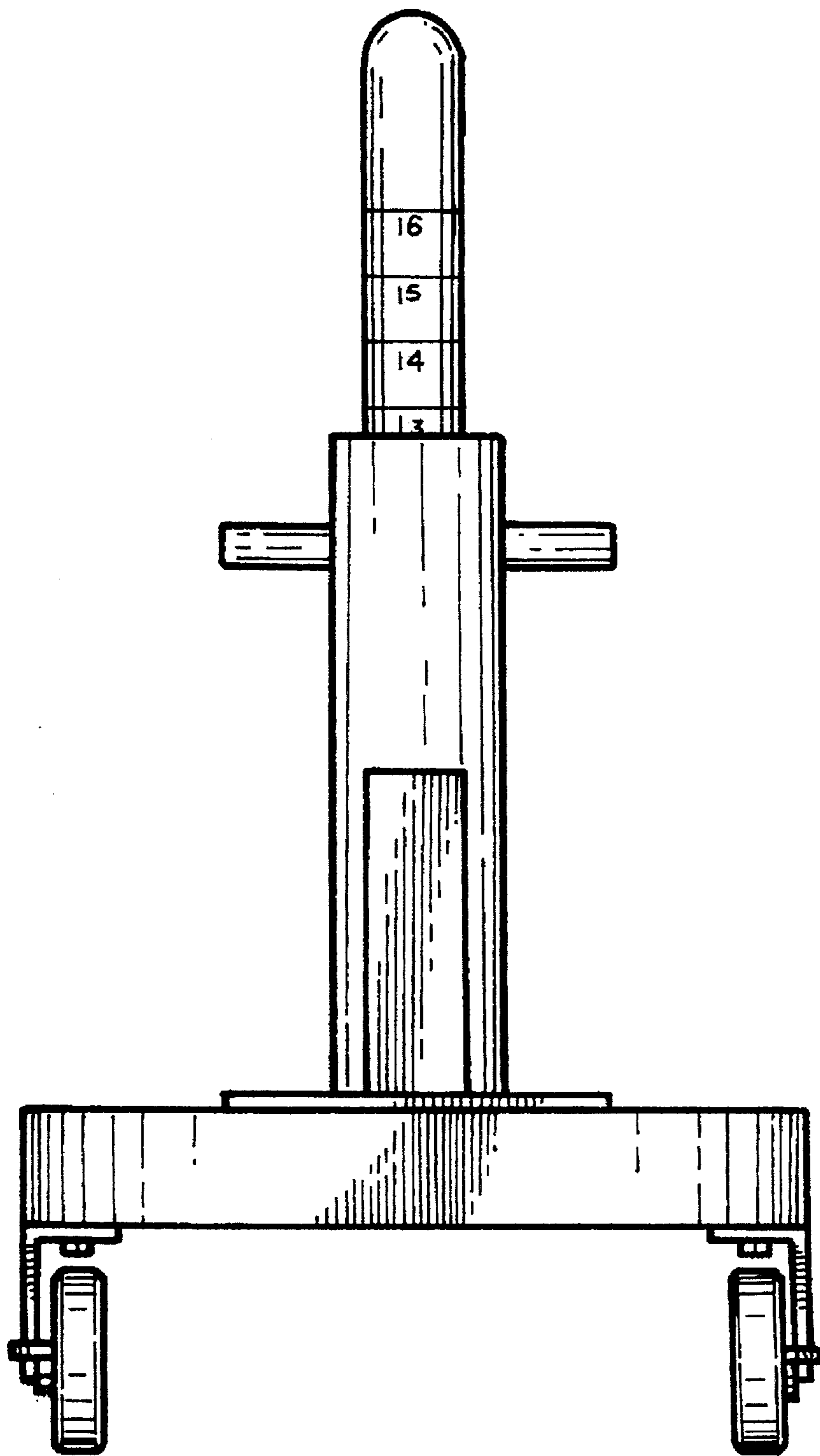


FIG. 4