



US00D363240S

United States Patent [19]

[11] Patent Number: **Des. 363,240**

Hirakawa et al.

[45] Date of Patent: ****Oct. 17, 1995**

[54] SURVEYING APPARATUS UTILIZING A LASER BEAM

4,202,110 5/1980 Kooi D10/66 X
4,752,126 6/1988 Fujii 356/140

[75] Inventors: **Takumi Hirakawa**, Isehara; **Hiroyuki Tsuchikane**, Zama; **Yuichi Ohashi**, Hadano; **Hidekazu Yamamuro**; **Shigeyuki Sawaguchi**, both of Minami-ashigara, all of Japan

Primary Examiner—Antoine Duval Davis
Attorney, Agent, or Firm—Bacon & Thomas

[73] Assignee: **Sokkia Co., Ltd.**, Tokyo, Japan

[57] CLAIM

[**] Term: **14 Years**

The ornamental design for a surveying apparatus utilizing a laser beam, as shown.

[21] Appl. No.: **21,902**

DESCRIPTION

[22] Filed: **Apr. 25, 1994**

FIG. 1 is a front top and left side perspective view of a surveying apparatus utilizing a laser beam, showing our new design;

[30] Foreign Application Priority Data

Jan. 20, 1994 [JP] Japan 6-00688

FIG. 2 is a front elevational view thereof;

[52] U.S. Cl. **D10/66**

FIG. 3 is a top plan view thereof;

[58] Field of Search D10/66; 33/291, 33/292, 293, 294, DIG. 8, DIG. 21; 356/4.5, 138-139, 140, 141.1-141.5, 142, 399-401

FIG. 4 is a left side elevational view thereof;

FIG. 5 is a right side elevational view thereof;

[56] References Cited

FIG. 6 is a rear elevational view thereof; and,

FIG. 7 is a bottom plan view thereof.

U.S. PATENT DOCUMENTS

D. 333,276 2/1993 Donn D10/66

1 Claim, 2 Drawing Sheets

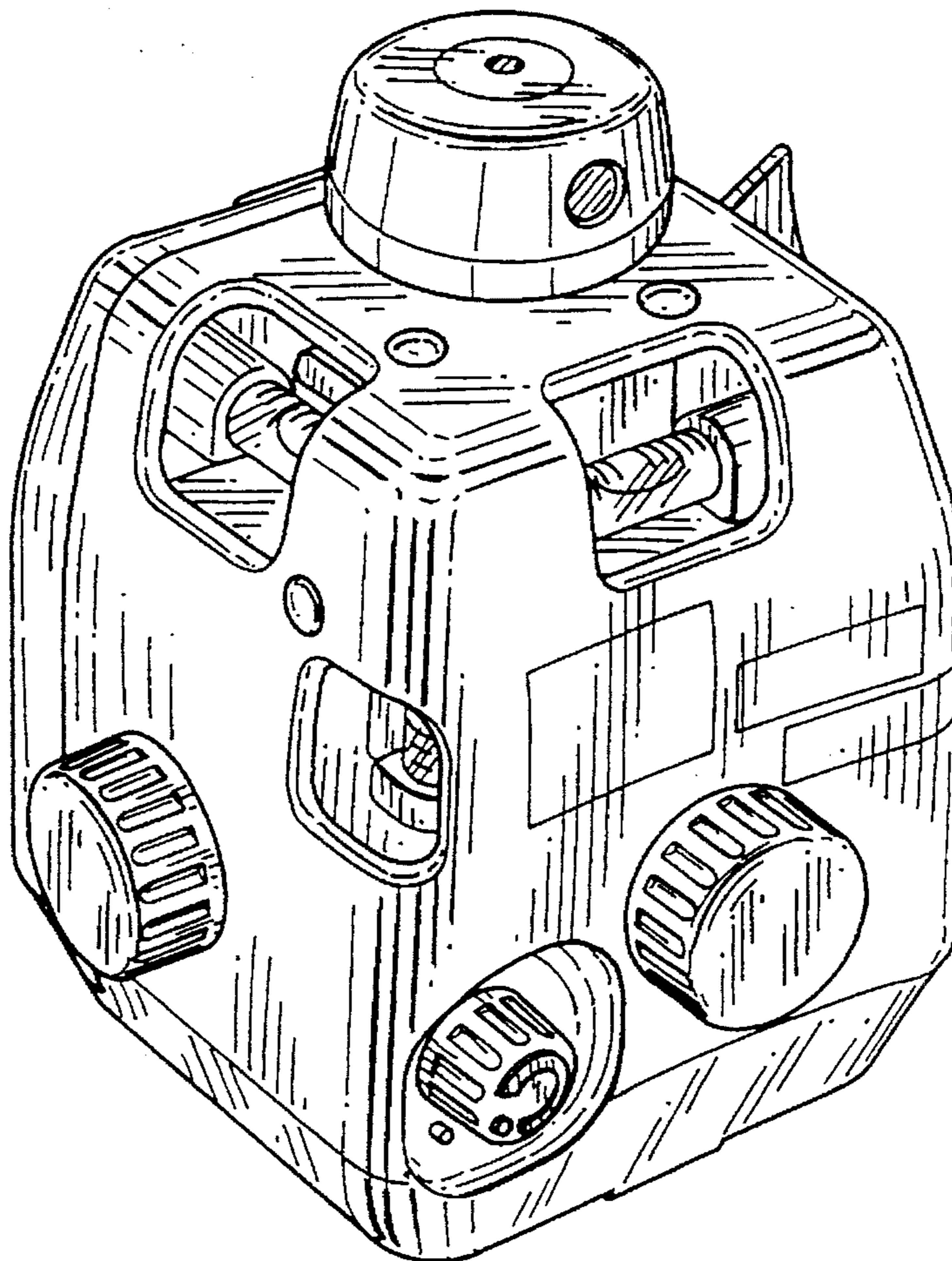


FIG. 1

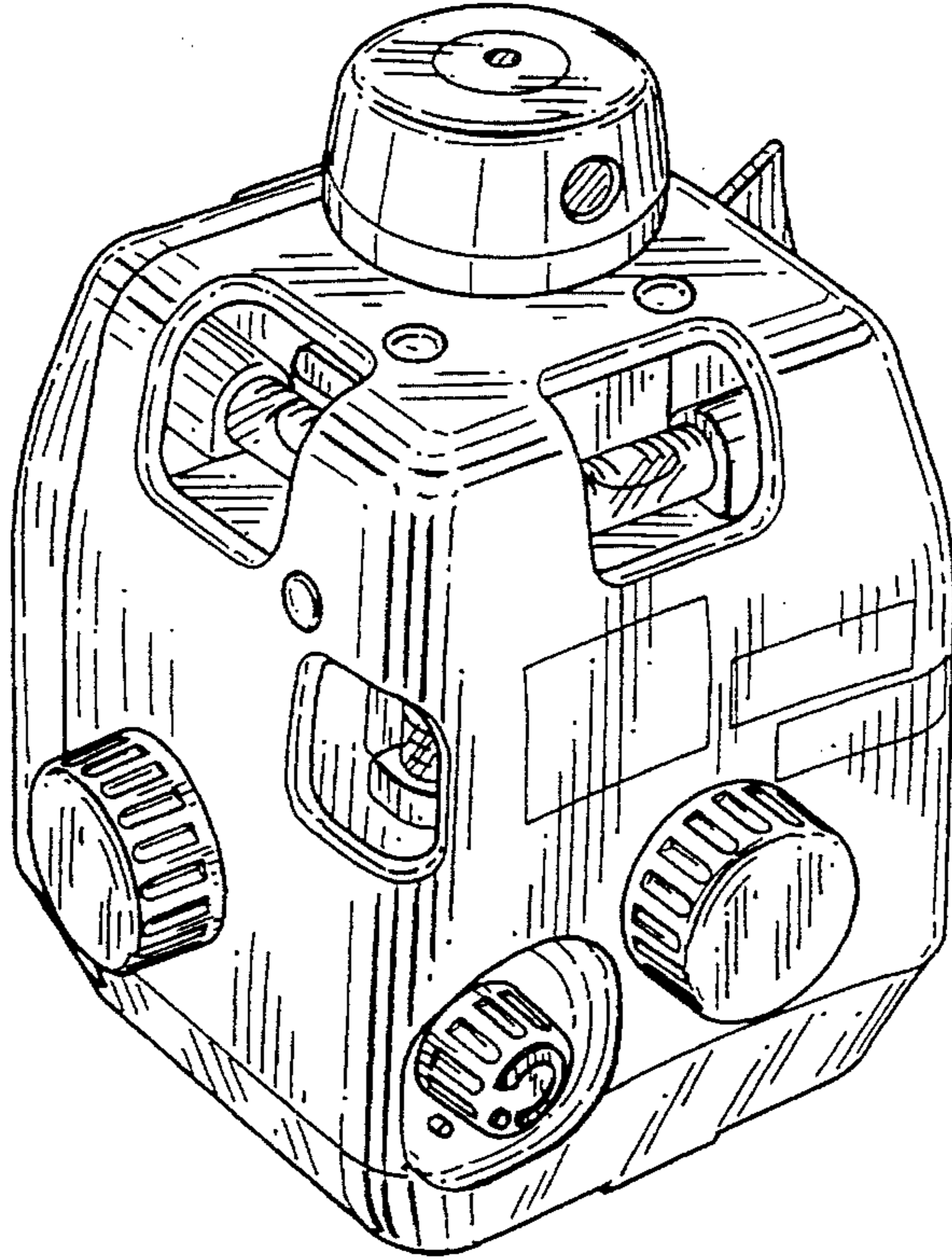


FIG. 2

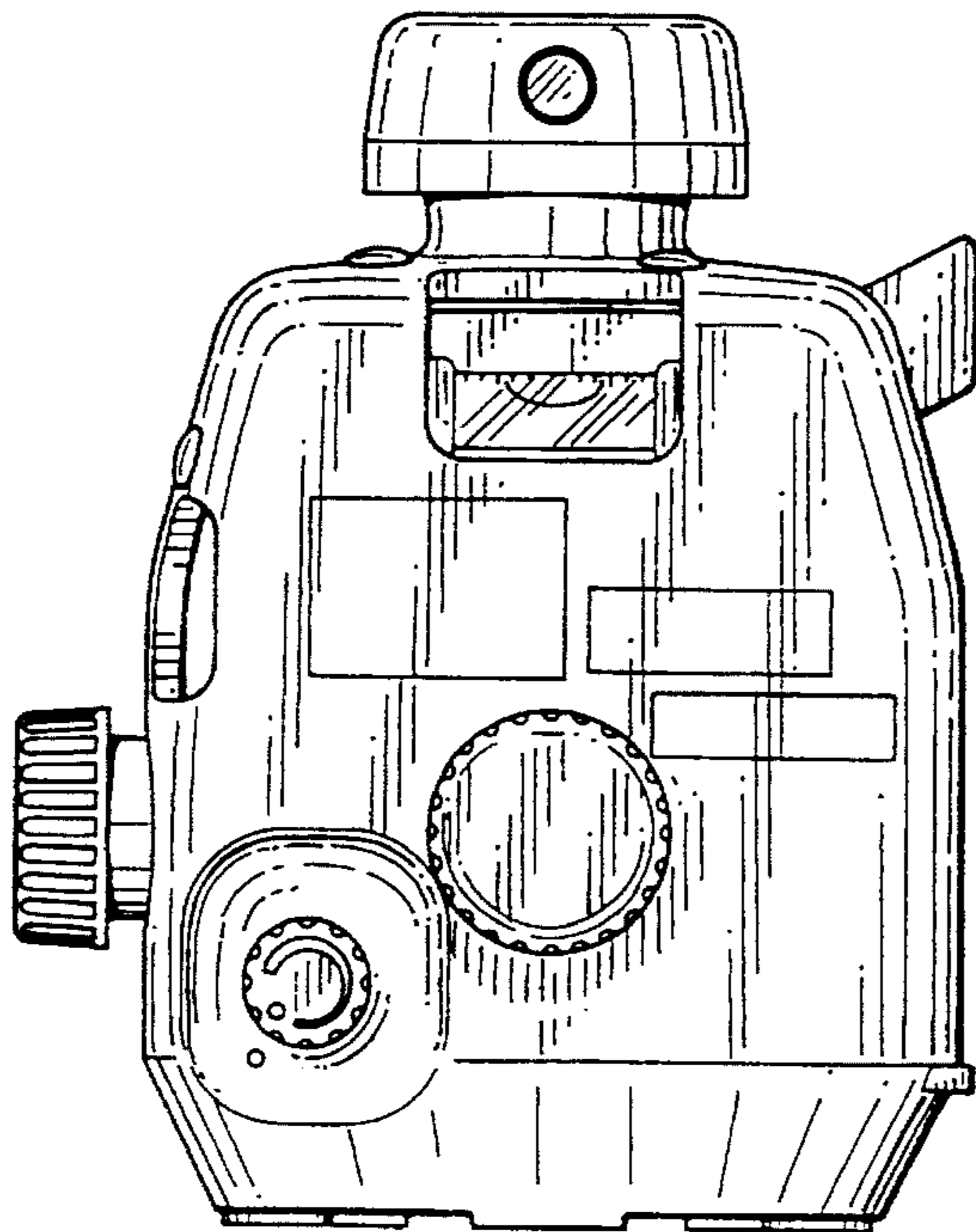


FIG. 3

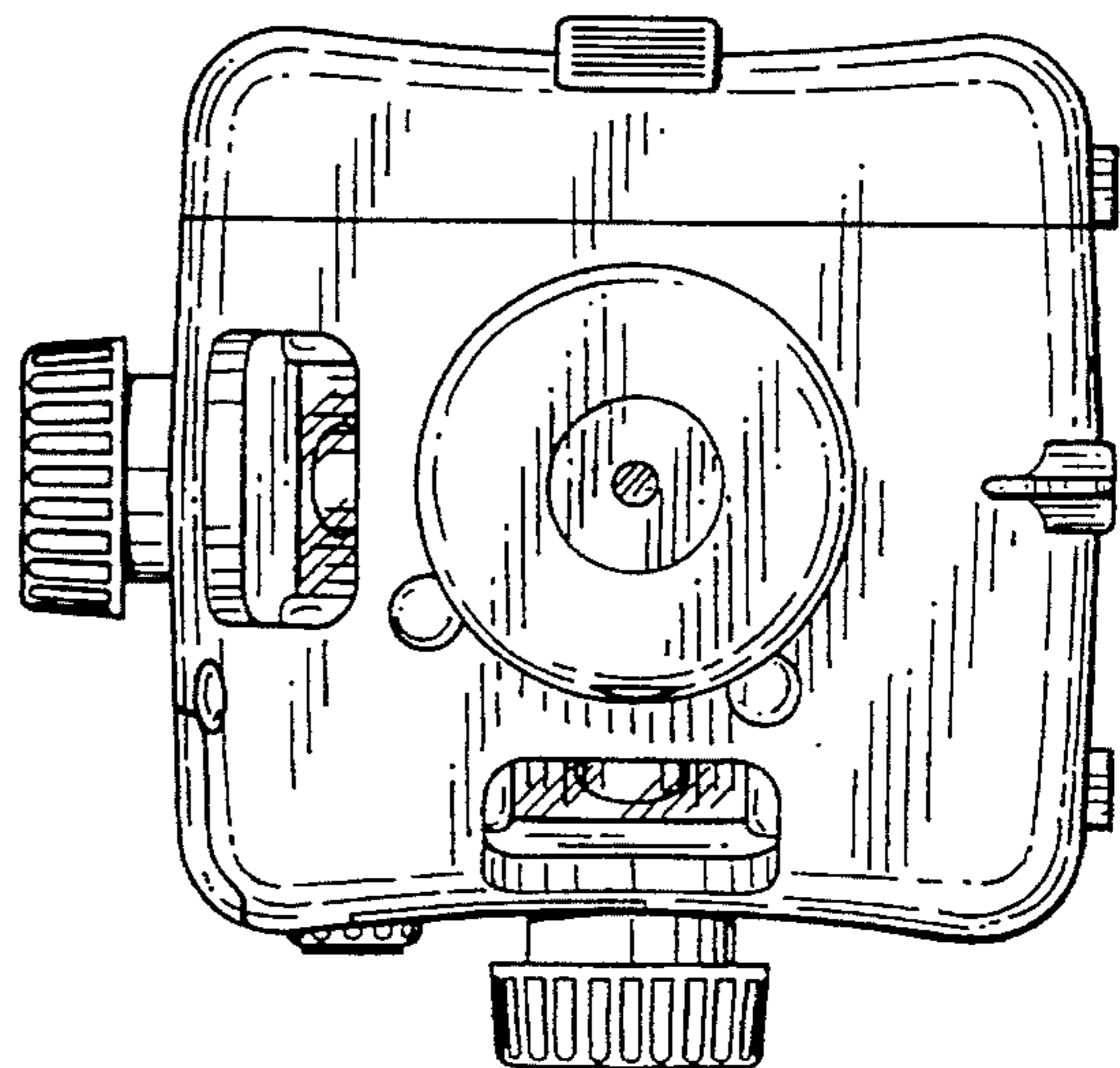


FIG. 4

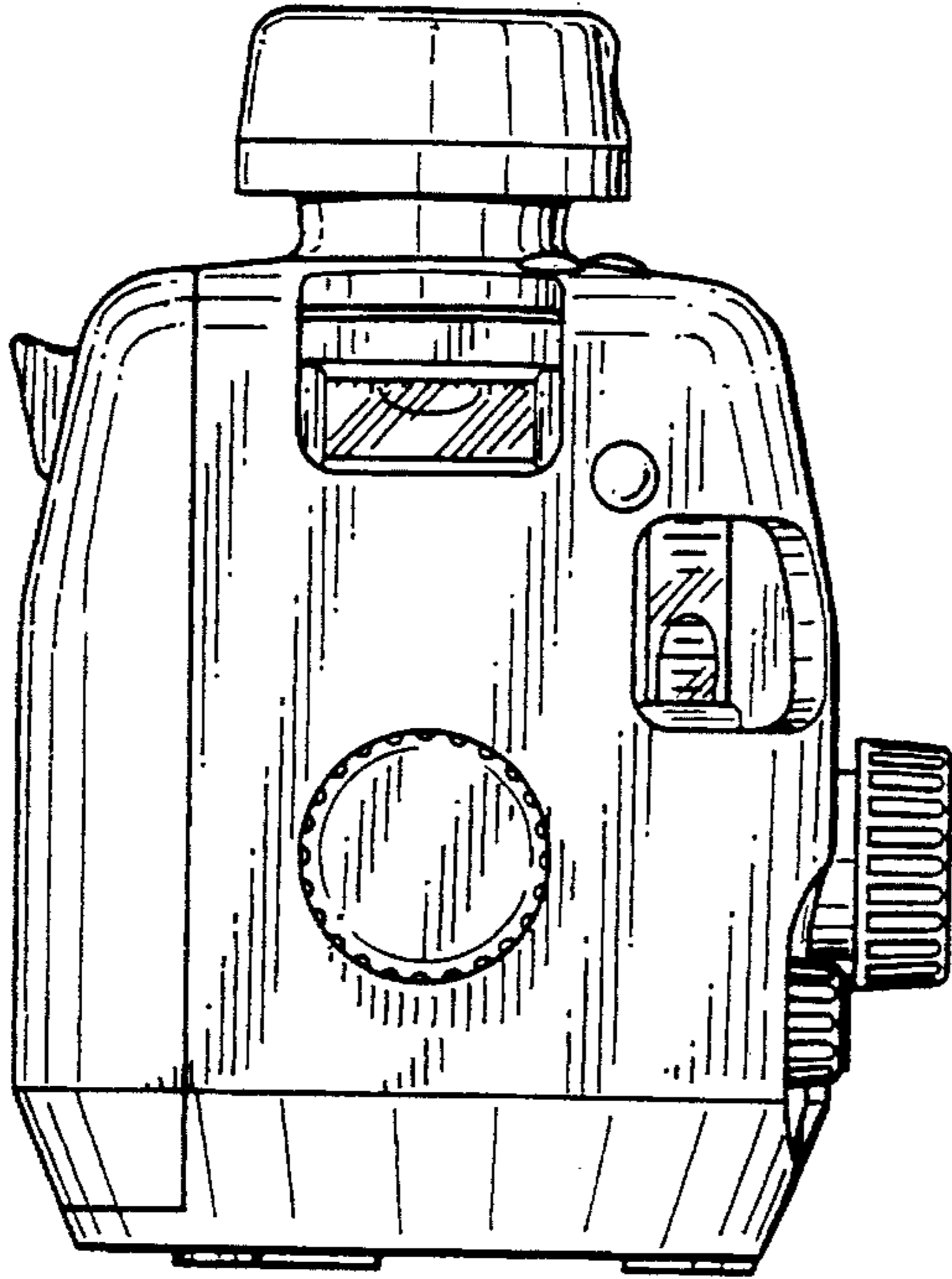


FIG. 5

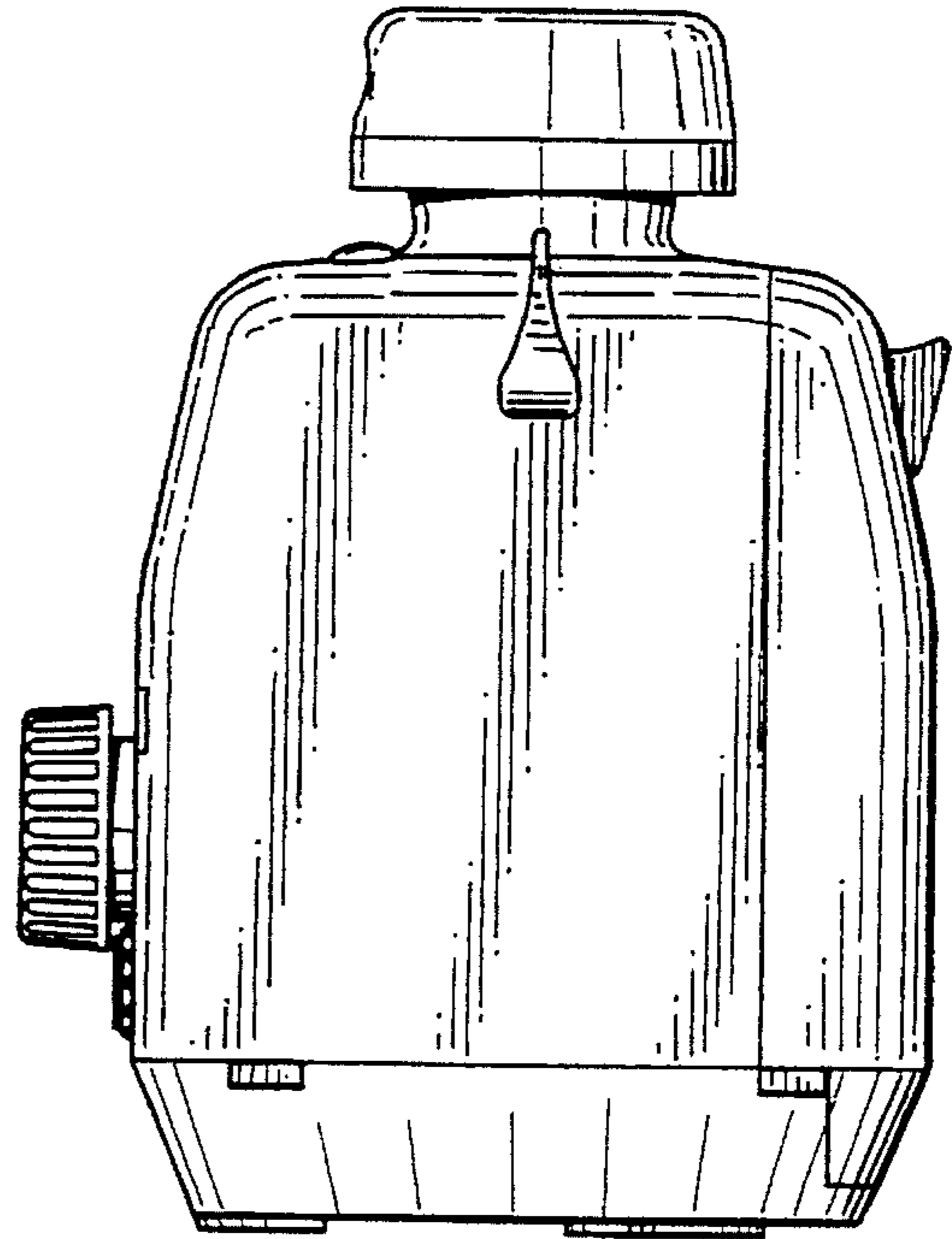


FIG. 6

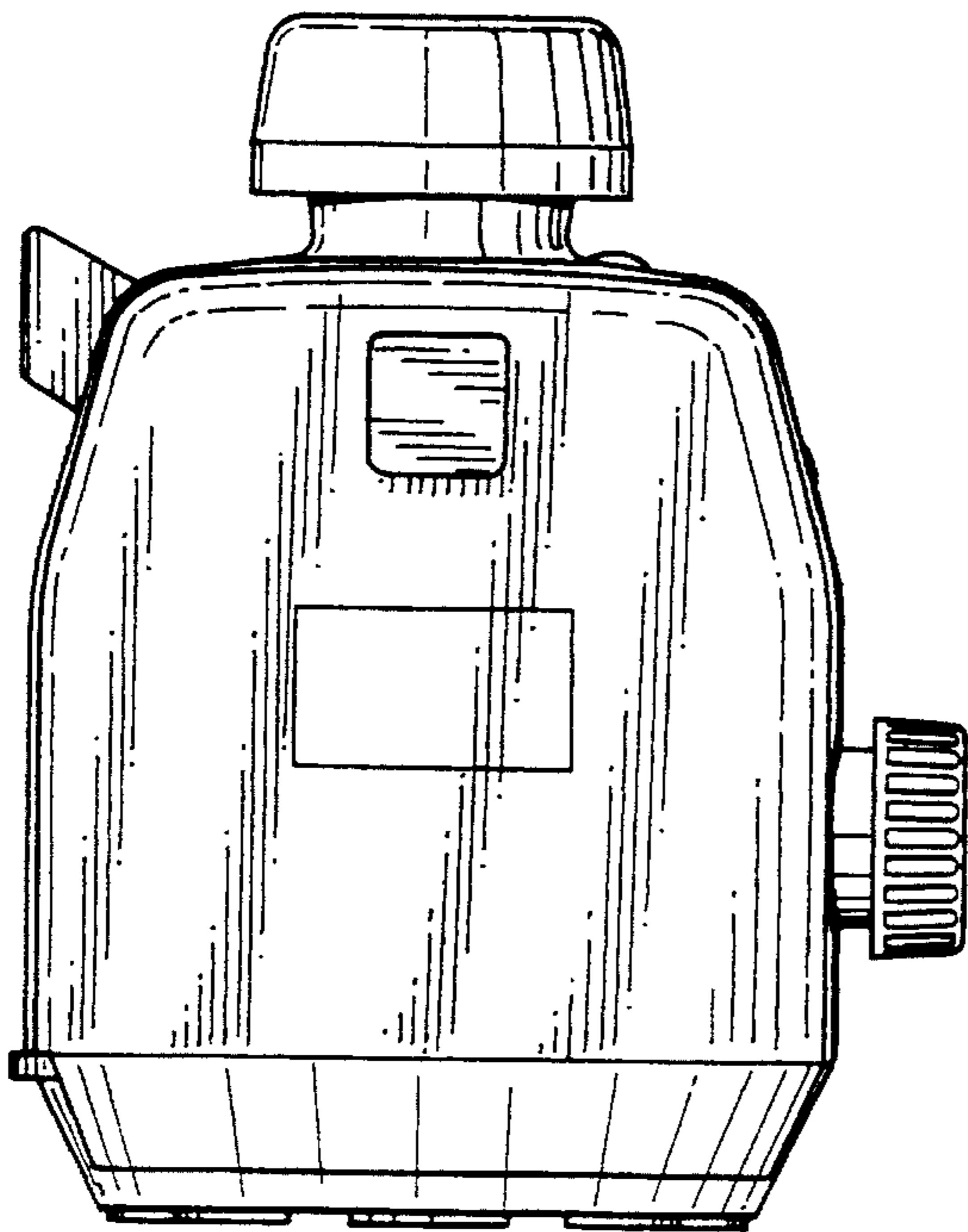


FIG. 7

