



US00D363238S

United States Patent [19] Gilstrap

[11] Patent Number: **Des. 363,238**

[45] Date of Patent: ****Oct. 17, 1995**

[54] **ADJUSTABLE ANGLE-SAW GUIDE**

FOREIGN PATENT DOCUMENTS

[76] Inventor: **Mark C. Gilstrap**, 1535 Camellia La.,
New Braunfels, Tex. 78130

76009 1/1918 Germany 33/465

[**] Term: **14 Years**

Primary Examiner—Antoine Duval Davis

[21] Appl. No.: **19,422**

[57] **CLAIM**

[22] Filed: **Mar. 1, 1994**

The ornamental design for a adjustable angle saw-guide, as shown and described.

[52] U.S. Cl. **D10/65**

DESCRIPTION

[58] **Field of Search** D10/65; 33/418,
33/420, 425, 426, 465, 466; 83/438, 439,
440, 440.1, 440.2, 743, 744, 745

FIG. 1 is a front elevational view of the adjustable angle saw-guide showing my new design;
FIG. 2 is a rear elevational view thereof;
FIG. 3 is a left side elevational view thereof;
FIG. 4 is a right side elevational view thereof;
FIG. 5 is a top plan view thereof; and,
FIG. 6 is a bottom plan view thereof.

[56] **References Cited**

U.S. PATENT DOCUMENTS

| | | | |
|-----------|---------|-------------|----------|
| 883,041 | 3/1908 | McCurdy | 33/425 |
| 894,770 | 7/1908 | Wood | 33/425 |
| 3,065,546 | 11/1962 | Brocklander | 33/425 |
| 5,077,910 | 1/1992 | Smith | D10/65 X |

1 Claim, 3 Drawing Sheets

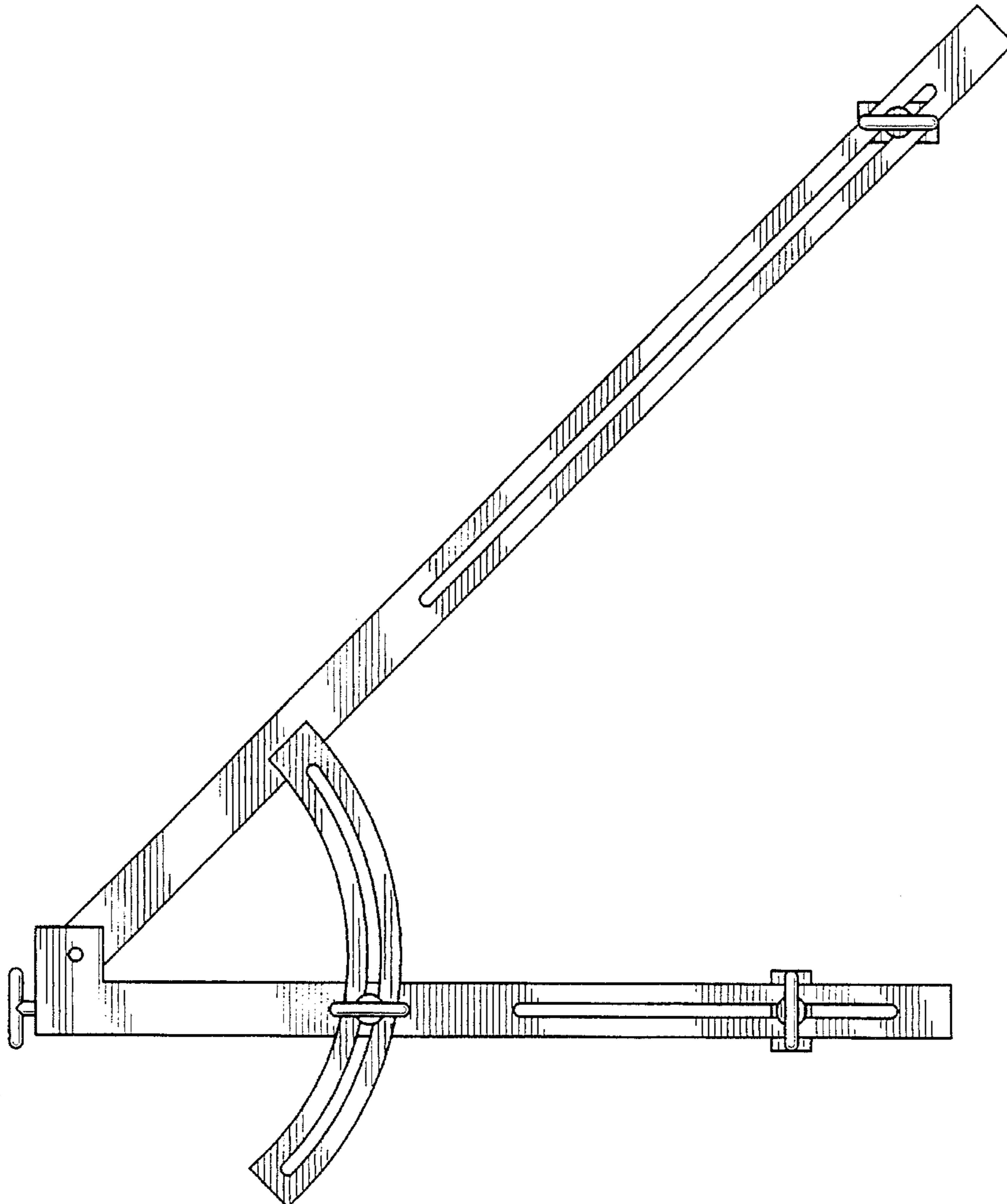


FIG. 1

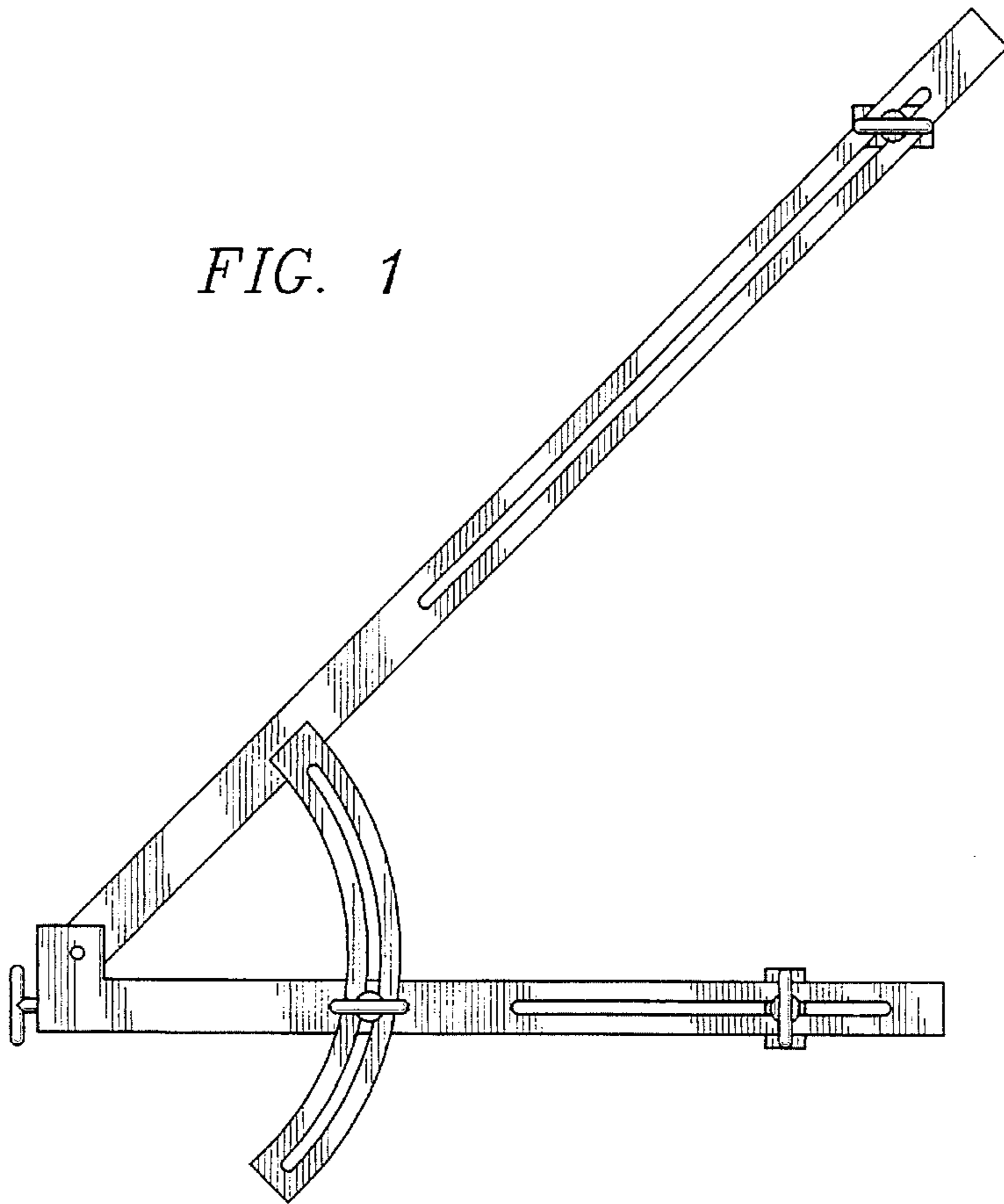


FIG. 2

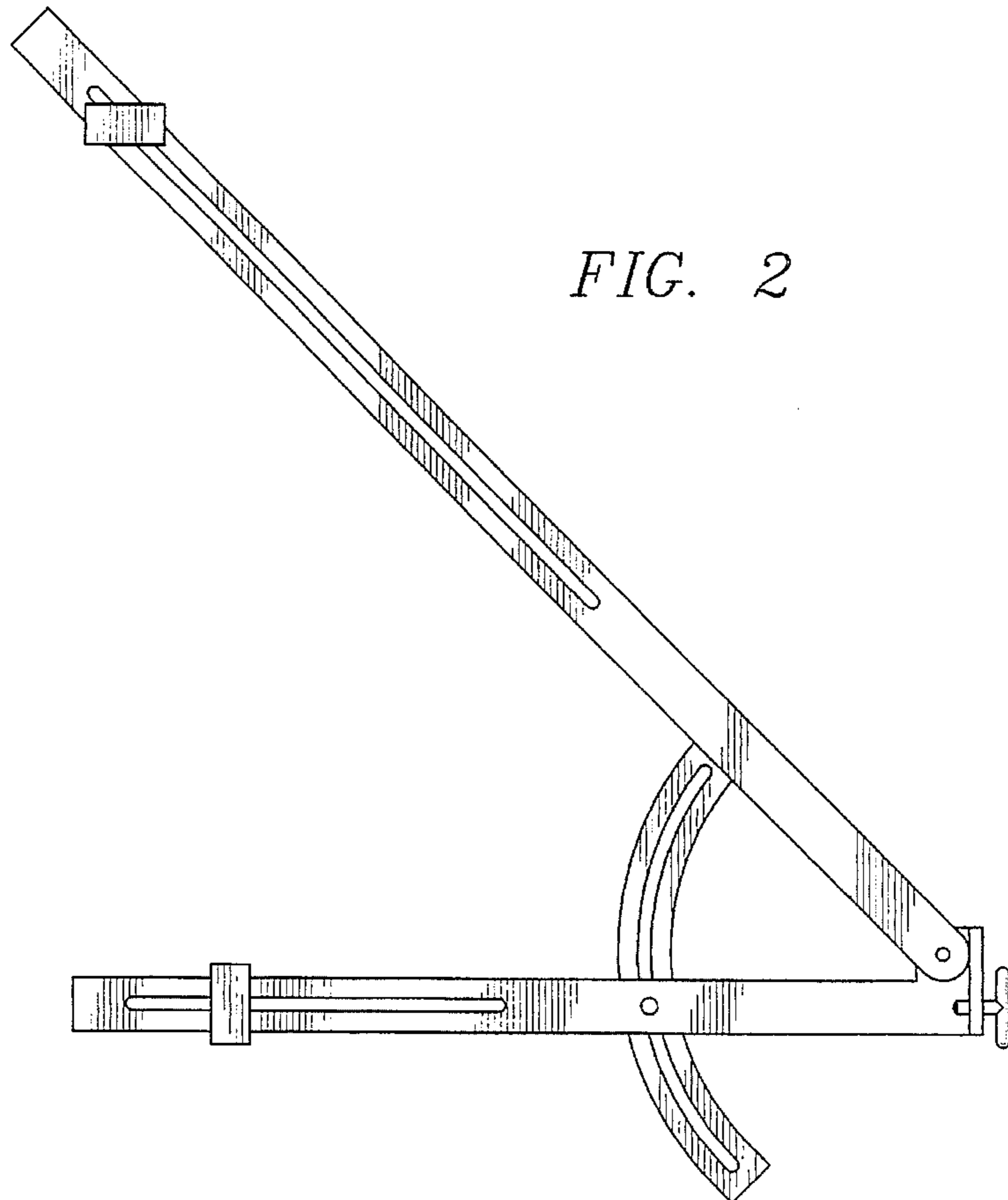


FIG. 3

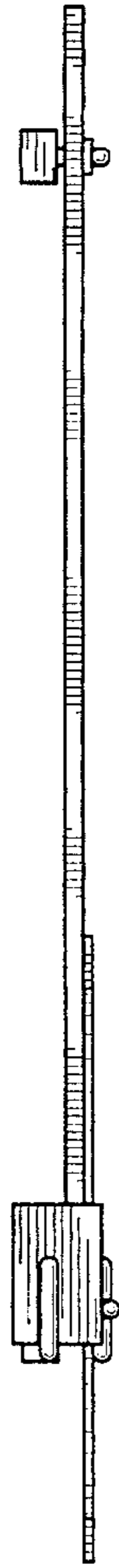


FIG. 4

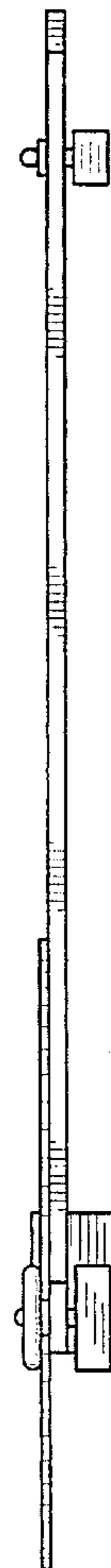


FIG. 5

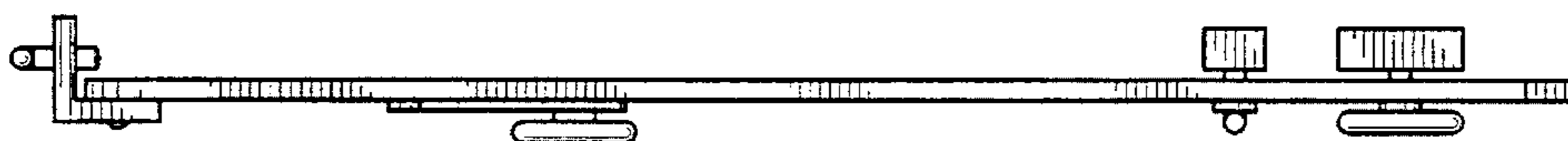


FIG. 6

