



US00D363237S

United States Patent [19]

[11] Patent Number: **Des. 363,237**

Aloise

[45] Date of Patent: ****Oct. 17, 1995**

[54] SUPERHEAT CALCULATOR METER FACE PLATE

[75] Inventor: **Arthur Aloise**, Harwinton, Conn.

[73] Assignee: **Cooper Instrument Corporation**, Middlefield, Conn.

[**] Term: **14 Years**

[21] Appl. No.: **27,487**

[22] Filed: **Aug. 22, 1994**

[52] U.S. Cl. **D10/50**; D10/49; D10/60; D10/103

[58] Field of Search D10/49, 50, 60, D10/103; D13/177; D18/7; 62/77, 83, 95, 129, 149, 192, 197, 292; 137/412

[56] References Cited

U.S. PATENT DOCUMENTS

D. 277,266	1/1985	Littlefield	D10/50
D. 287,701	1/1987	Foster	D10/49
4,798,055	1/1989	Murray et al.	62/129 X
5,231,841	8/1993	McClelland et al.	62/149 X
5,247,802	9/1993	Maniez et al.	62/149 X
5,317,903	6/1994	McClelland et al.	62/149 X

OTHER PUBLICATIONS

Cole-Palmer; Portable Temperature Controllers; 1991-1992; pp. 1042 & 1079.

Primary Examiner—Antoine Duval Davis
Attorney, Agent, or Firm—Chilton, Alix & Van Kirk

[57] CLAIM

The ornamental design for a superheat calculator meter face plate, as shown and described.

DESCRIPTION

FIG. 1 is a front plan view of the superheat calculator meter face plate showing my new design;

FIG. 2 is a side view thereof taken from the left side of FIG. 1;

FIG. 3 is a side view thereof taken from the right side of FIG. 1;

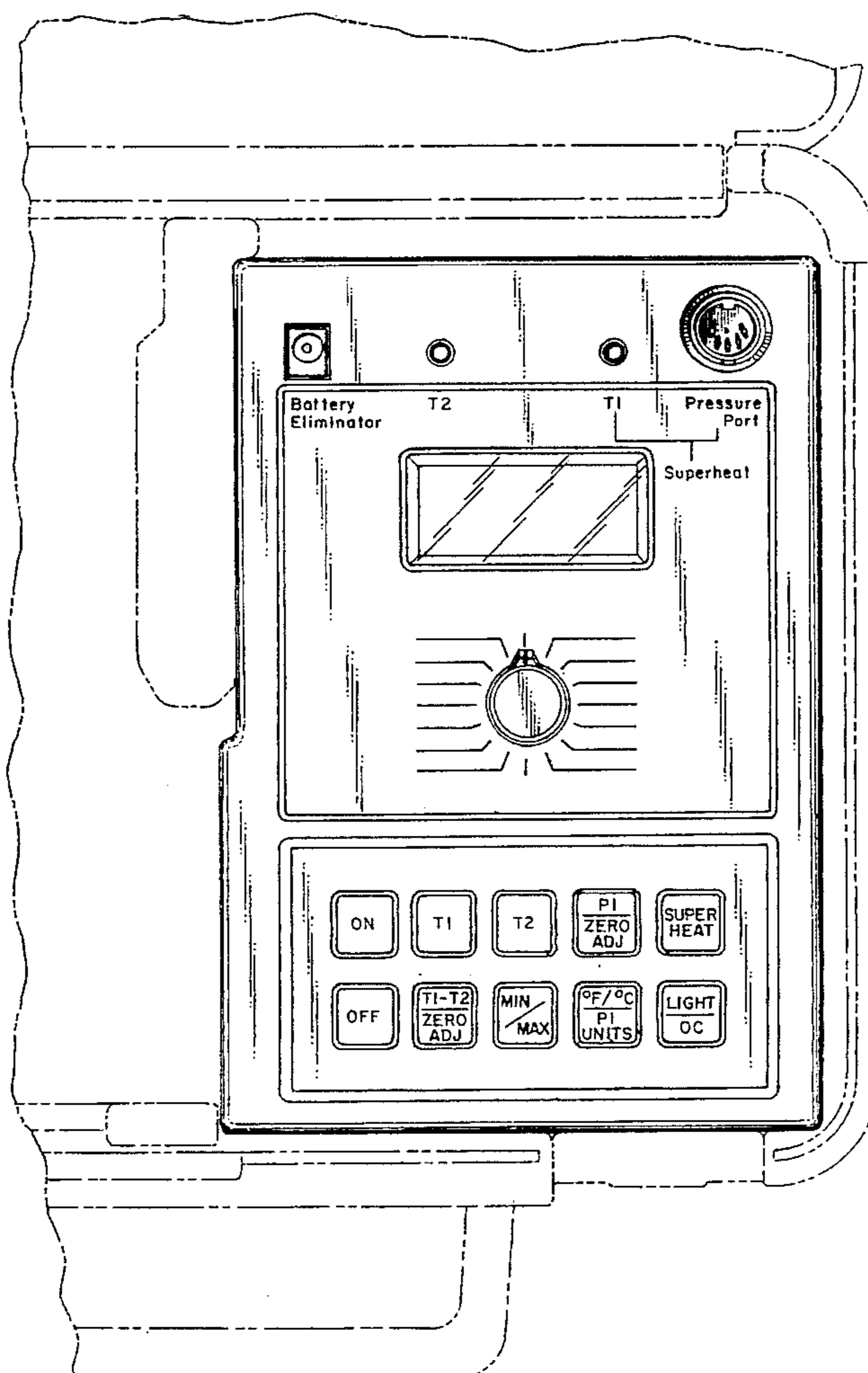
FIG. 4 is an end view thereof taken from the top of FIG. 1;

FIG. 5 is an end view thereof taken from the bottom of FIG. 1; and,

FIG. 6 is a back plan view thereof.

The broken line showing of the right side of a carrying case is for illustrative purposes only and forms no part of the claimed design.

1 Claim, 4 Drawing Sheets



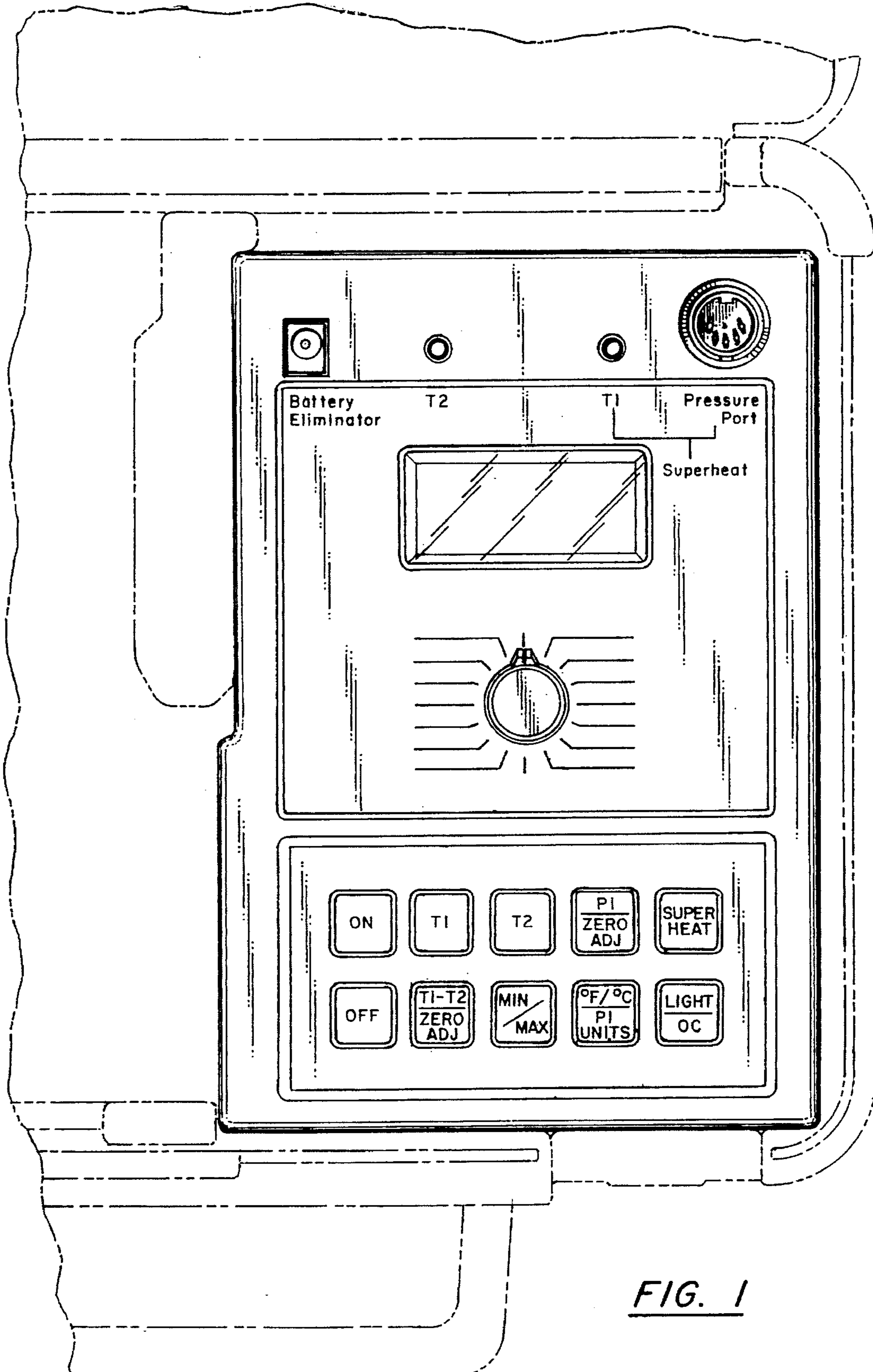


FIG. 1

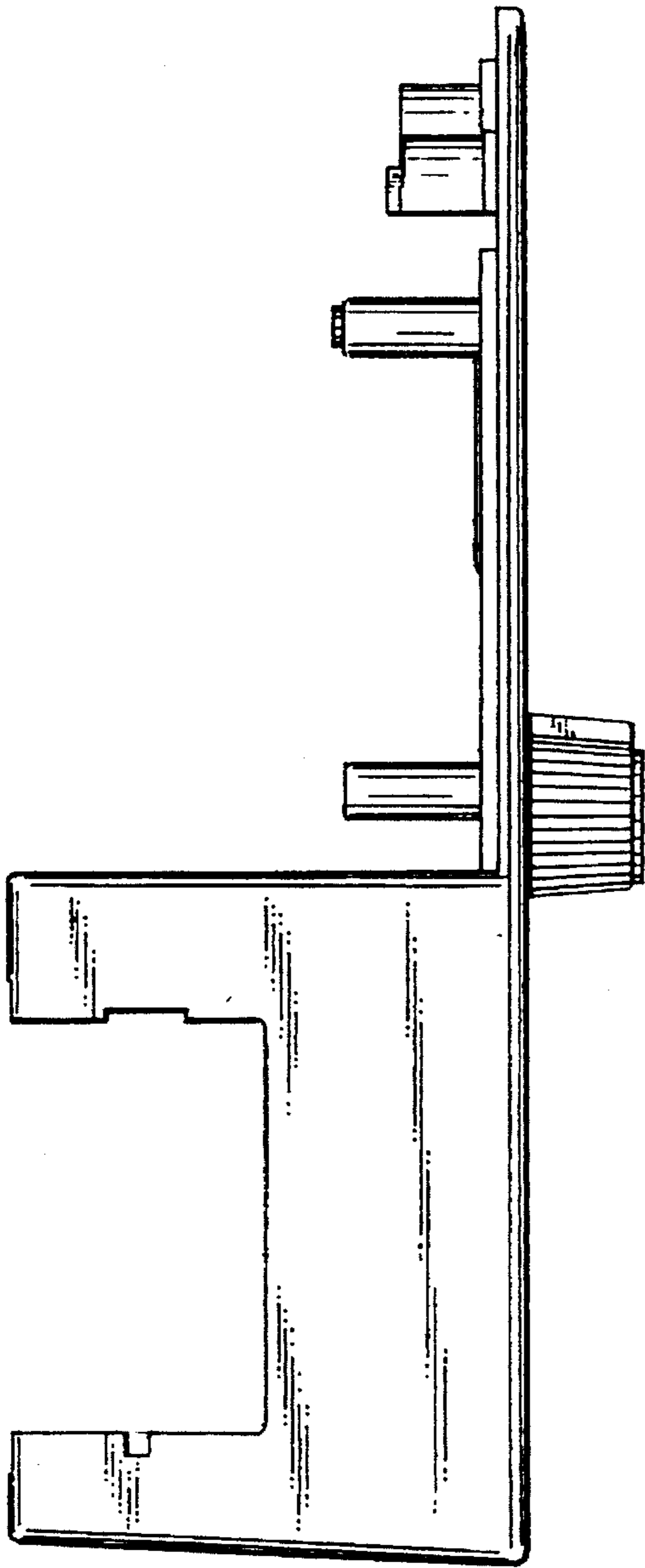


FIG. 2

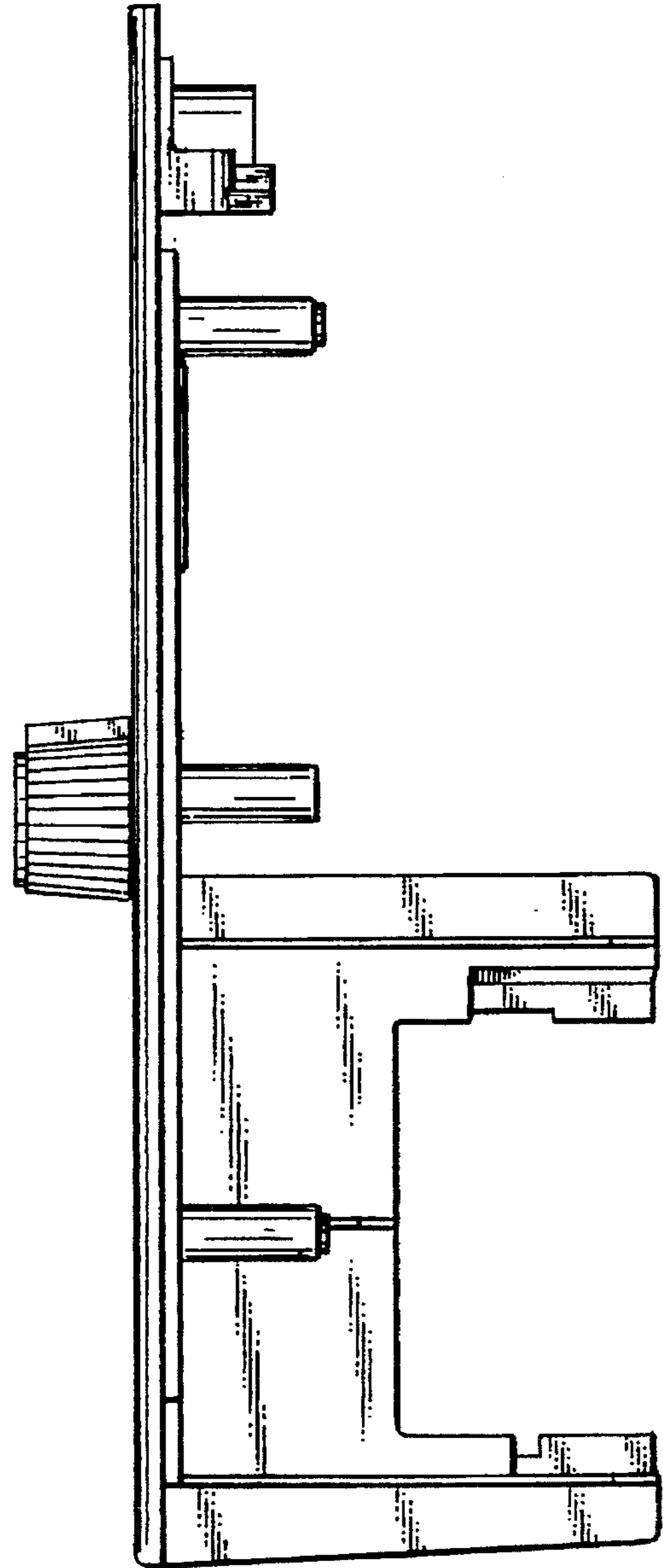


FIG. 3

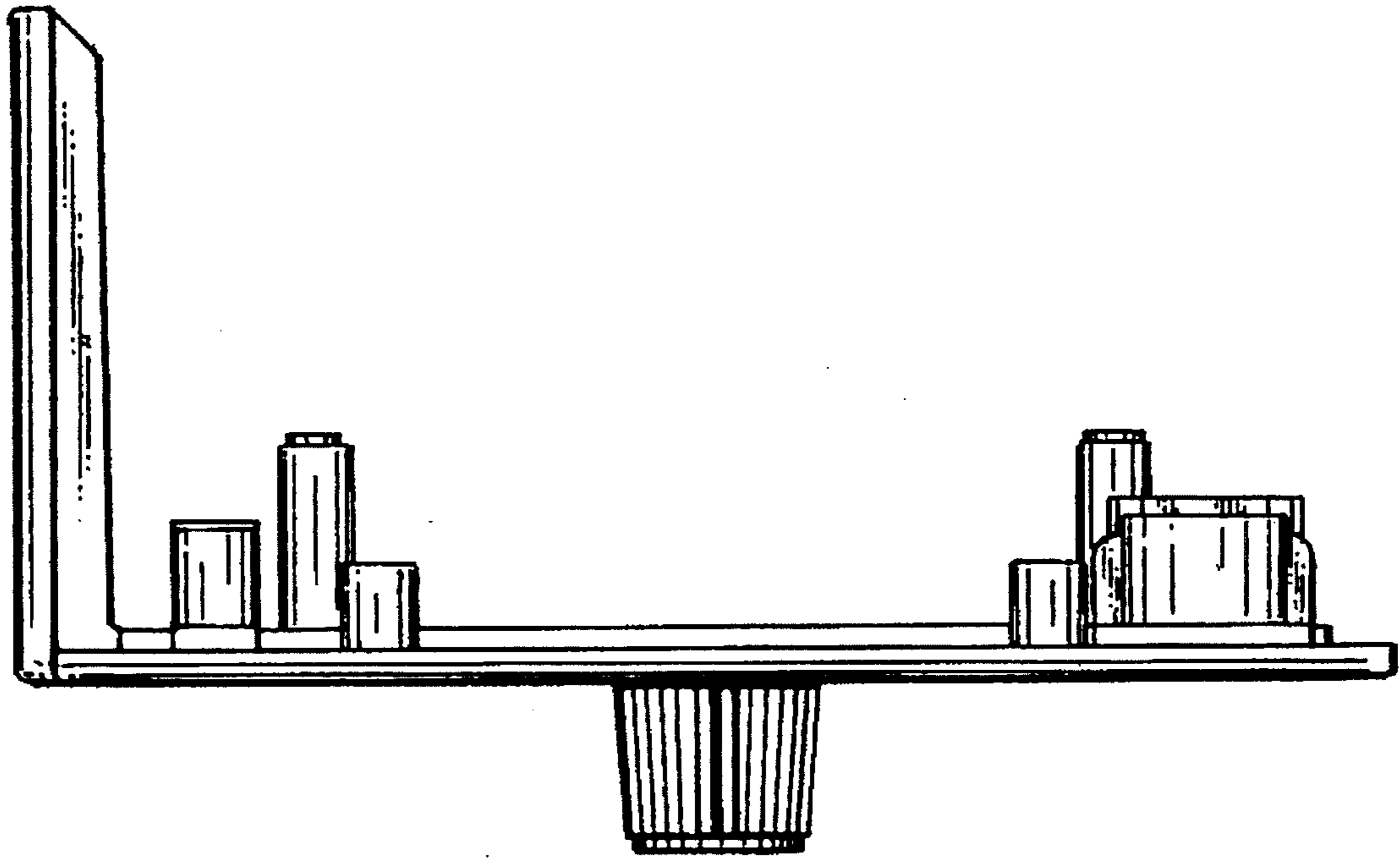


FIG. 4

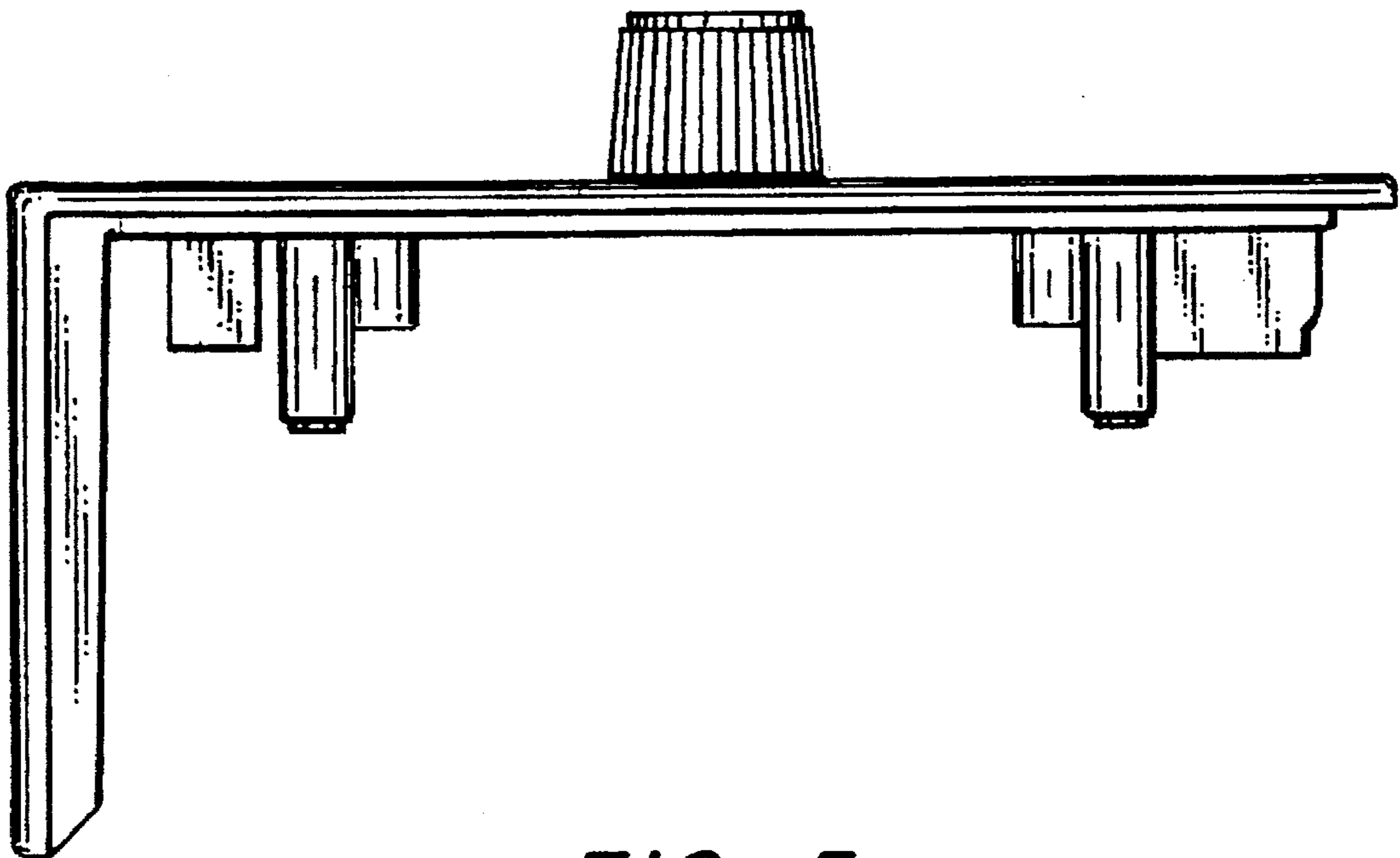


FIG. 5

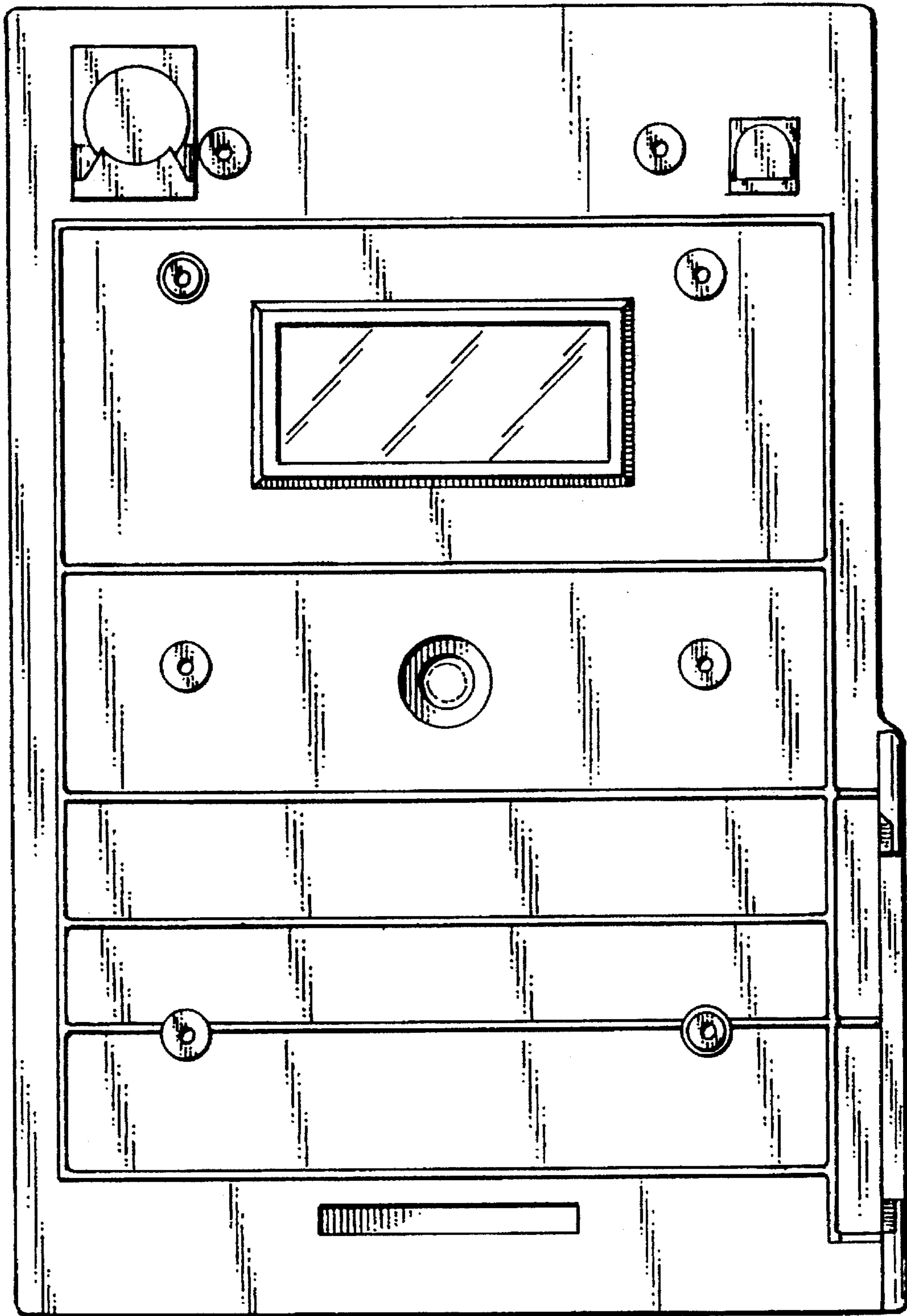


FIG. 6