



US00D363232S

United States Patent [19]
Gueit

[11] **Patent Number: Des. 363,232**

[45] **Date of Patent: **Oct. 17, 1995**

[54] **WRISTWATCH**

[75] Inventor: **Jean-Claude Gueit**, Perly-Certoux,
Switzerland

[73] Assignee: **S.A. Ancienne Fabrique Georges
Piaget & Cie.**, La Cote-Aux-Fees,
Switzerland

[**] Term: **14 Years**

[21] Appl. No.: **29,291**

[22] Filed: **Oct. 4, 1994**

[30] **Foreign Application Priority Data**

Apr. 8, 1994 [XH] Hague Agreement DMA 002482

[52] **U.S. Cl.** **D10/38; D10/18**

[58] **Field of Search** D10/1-40, 122-132;
368/280-282, 276-277, 285, 41

[56] **References Cited**

U.S. PATENT DOCUMENTS

- D. 145,490 8/1946 Ostier D10/39
- D. 261,365 10/1981 Carre D10/15 X
- D. 276,415 11/1984 Ecoffey D10/32

- D. 319,026 8/1991 Burgener D10/39
- D. 331,706 12/1992 Magninat D10/32
- D. 350,702 9/1994 Schwartz D10/126 X
- 4,444,513 4/1984 Proellochs 368/223
- 4,903,250 2/1990 Cho 368/41
- 5,262,763 11/1993 Okayama 368/276

Primary Examiner—Nelson C. Holtje
Attorney, Agent, or Firm—Young & Thompson

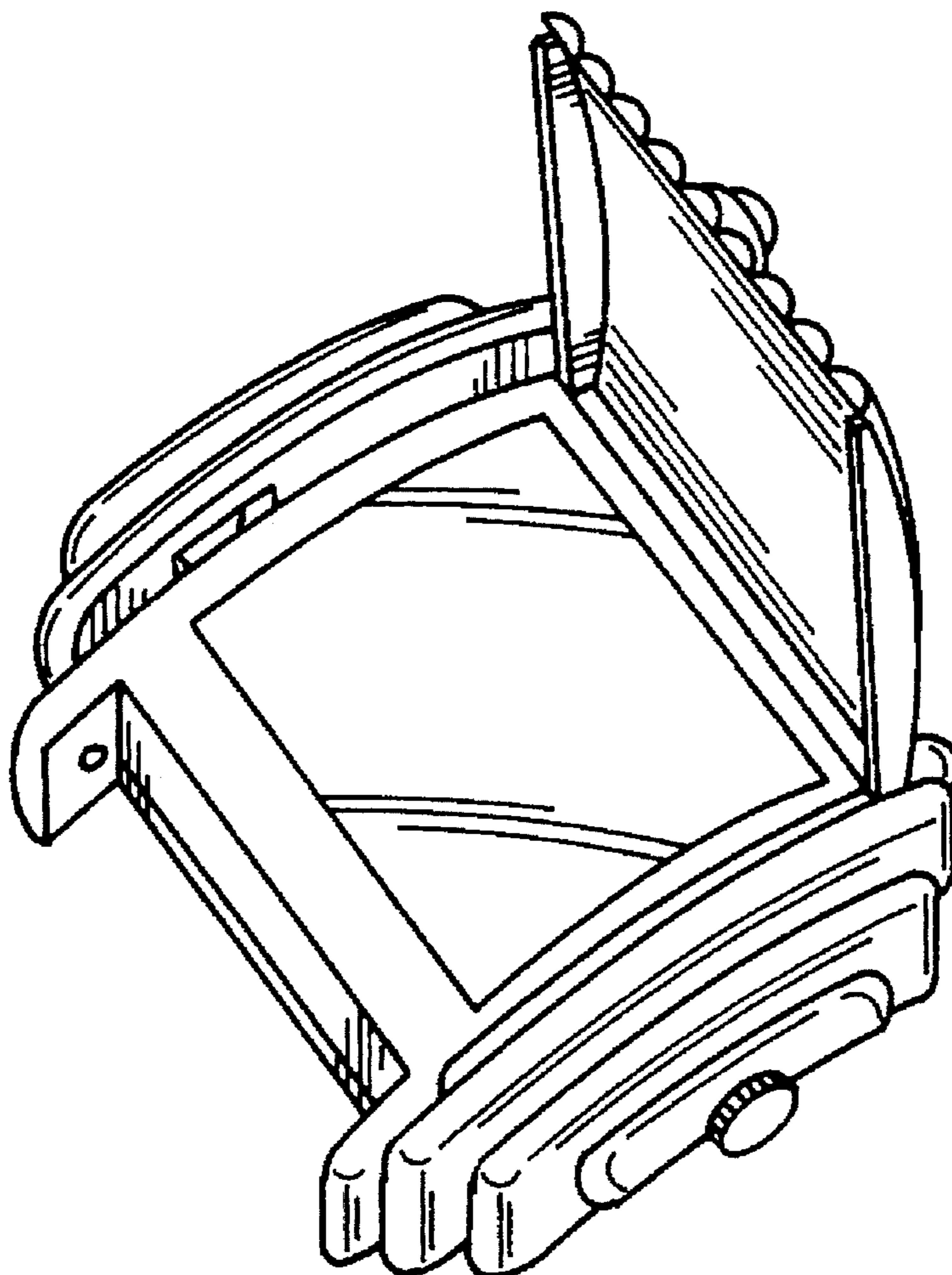
[57] **CLAIM**

The ornamental design for a wristwatch, as shown and described.

DESCRIPTION

FIG. 1 is a top plan view of a wristwatch showing my new design;
FIG. 2 is a perspective view thereof with the lid open;
FIG. 3 is a bottom plan view thereof;
FIG. 4 is a view thereof from the right of FIG. 6;
FIG. 5 is a view thereof from the left of FIG. 6;
FIG. 6 is a view thereof from the bottom of FIG. 1; and,
FIG. 7 is a view thereof from the side opposite that shown in FIG. 6.

1 Claim, 1 Drawing Sheet



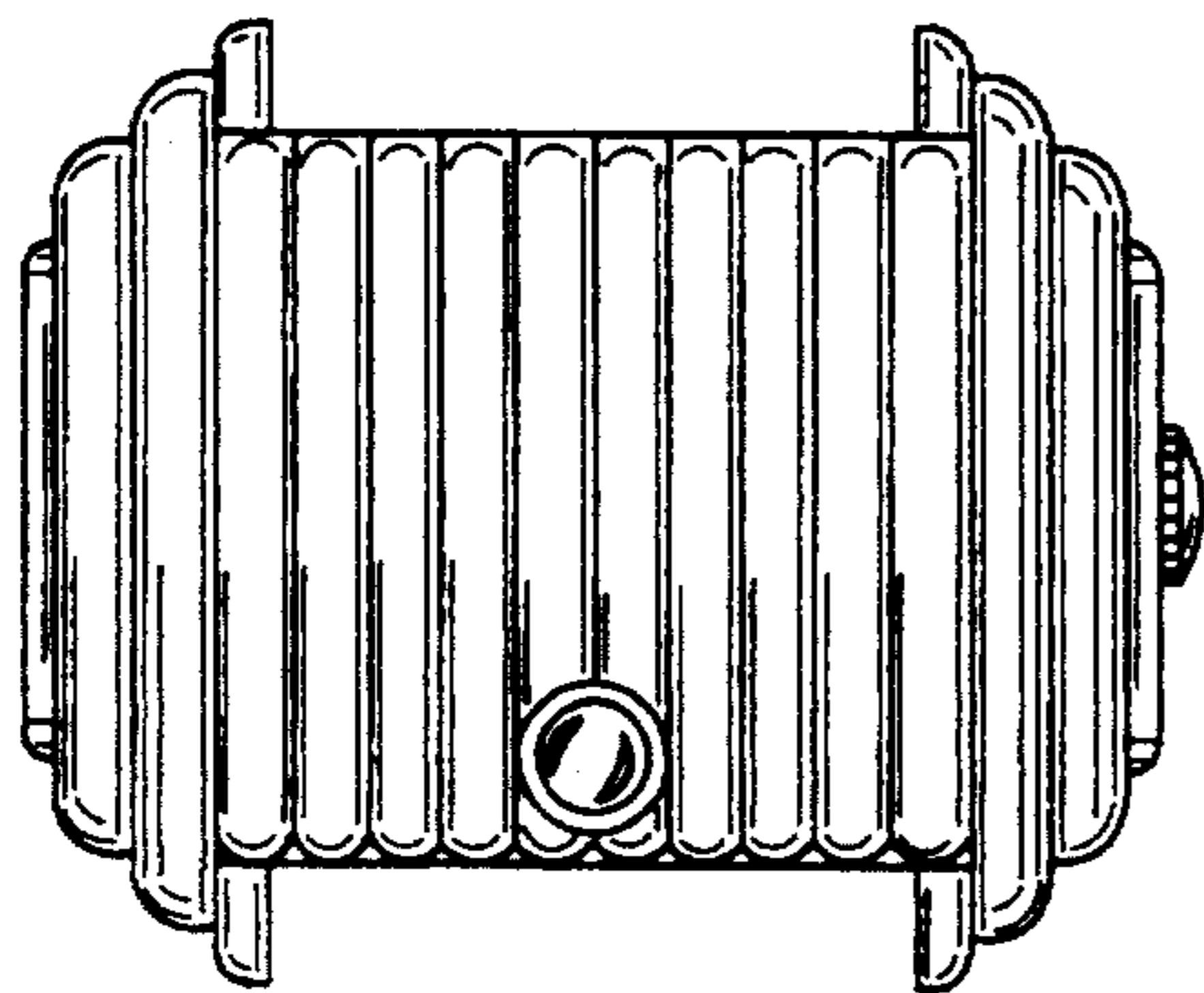


FIG. 1

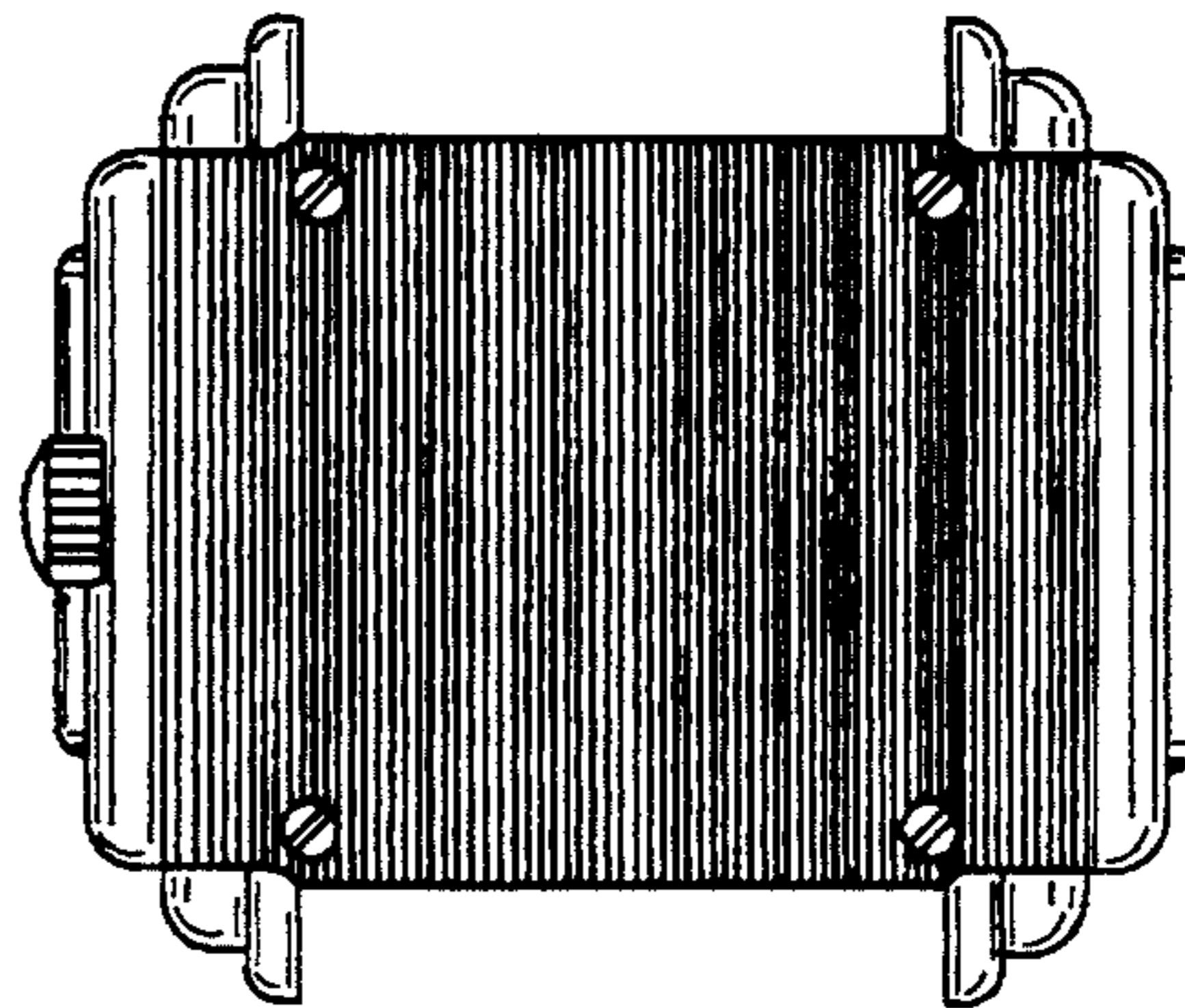


FIG. 3

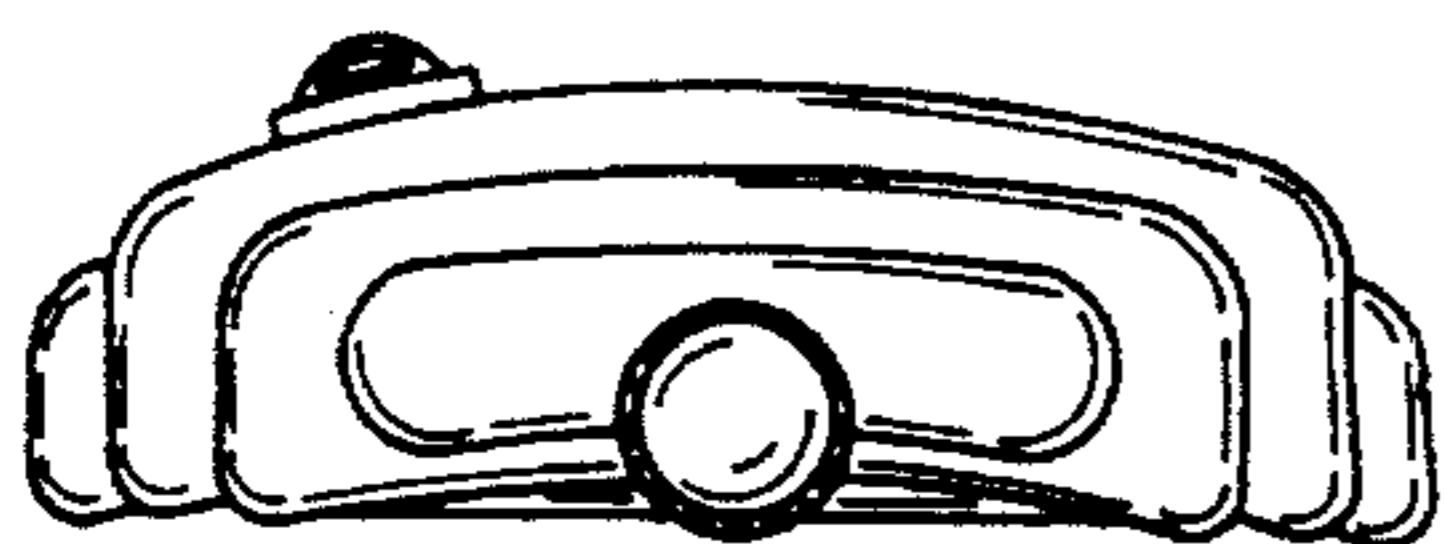


FIG. 4

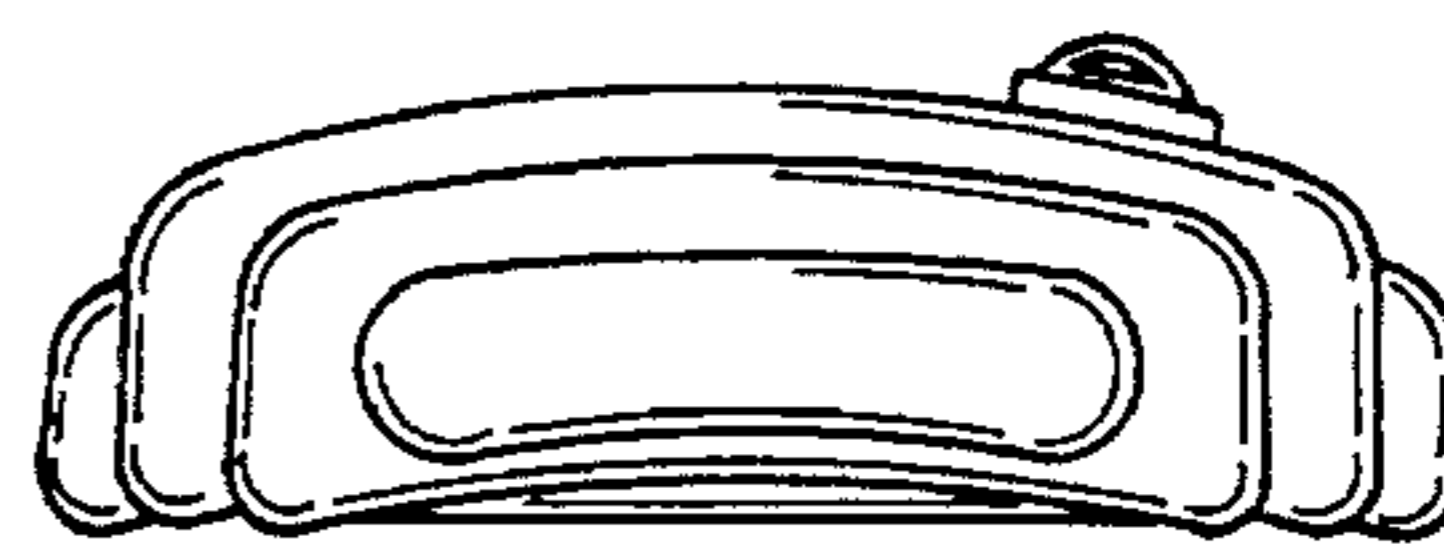


FIG. 5

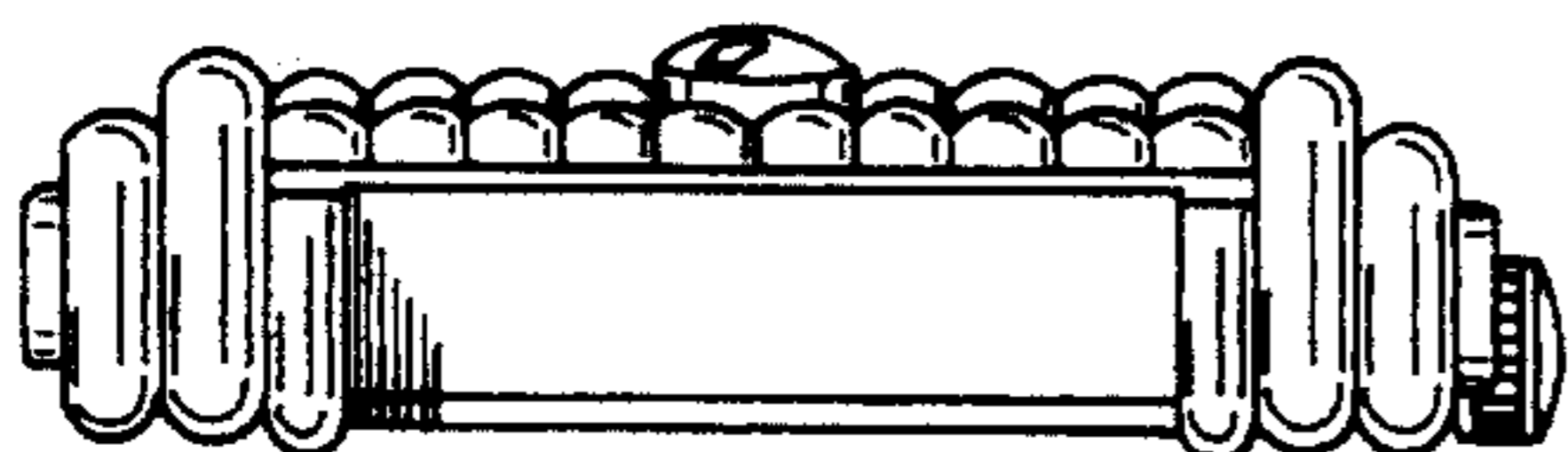


FIG. 6

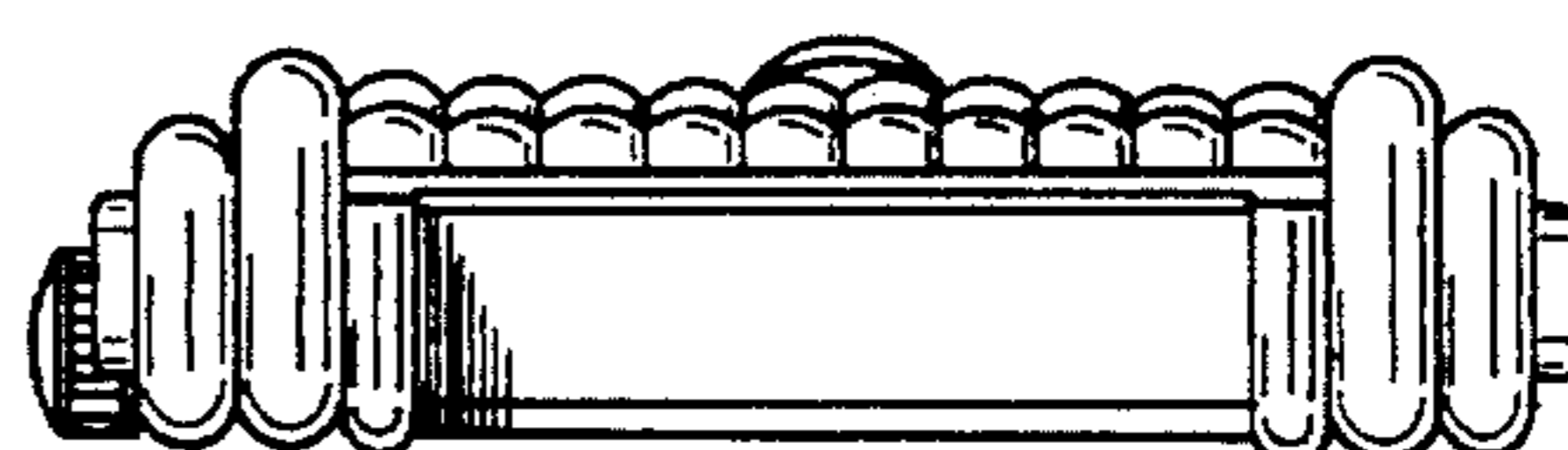


FIG. 7

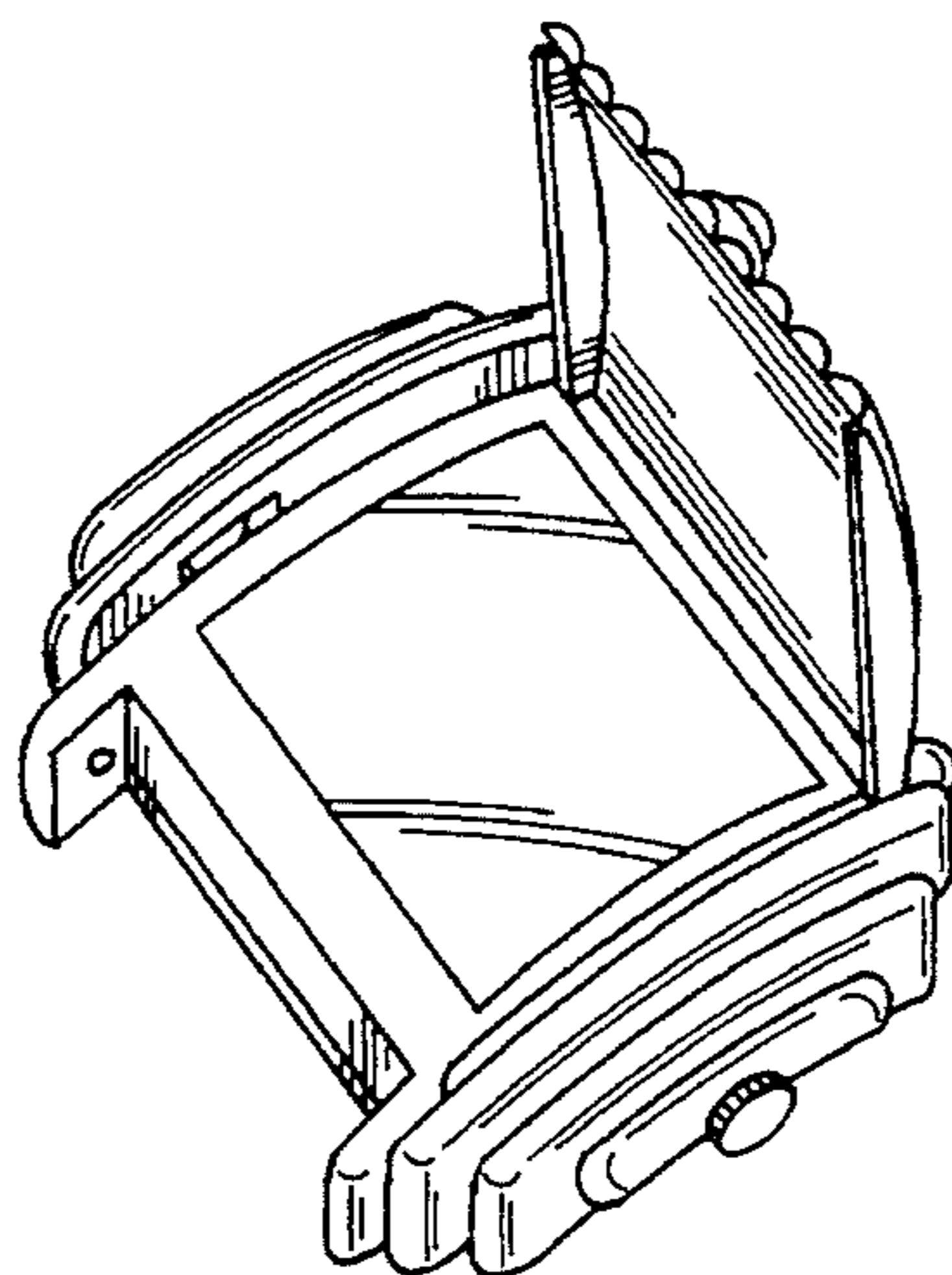


FIG. 2